



US00D514565S

(12) **United States Design Patent**
Haygood

(10) **Patent No.:** **US D514,565 S**

(45) **Date of Patent:** **** Feb. 7, 2006**

(54) **COMPUTER MONITOR HOUSING**

D468,735 S * 1/2003 Landerholm et al. D14/336
D480,725 S * 10/2003 Funato D14/383

(76) Inventor: **Wendell Haygood**, 20 Nicki La., Arab,
AL (US) 35016

* cited by examiner

(**) Term: **14 Years**

Primary Examiner—Freda S. Nunn

(21) Appl. No.: **29/213,378**

(57) **CLAIM**

(22) Filed: **Sep. 16, 2004**

The ornamental design for a computer monitor housing, as shown and described.

(51) **LOC (8) Cl.** **14-02**

DESCRIPTION

(52) **U.S. Cl.** **D14/371**

(58) **Field of Classification Search** D14/336,
D14/337, 371–375, 331, 389, 341, 383; D18/4.4–4.6;
345/104, 156, 168, 173, 901–905, 87; 341/12;
348/180, 184, 325, 739; 349/1, 2, 11, 62
See application file for complete search history.

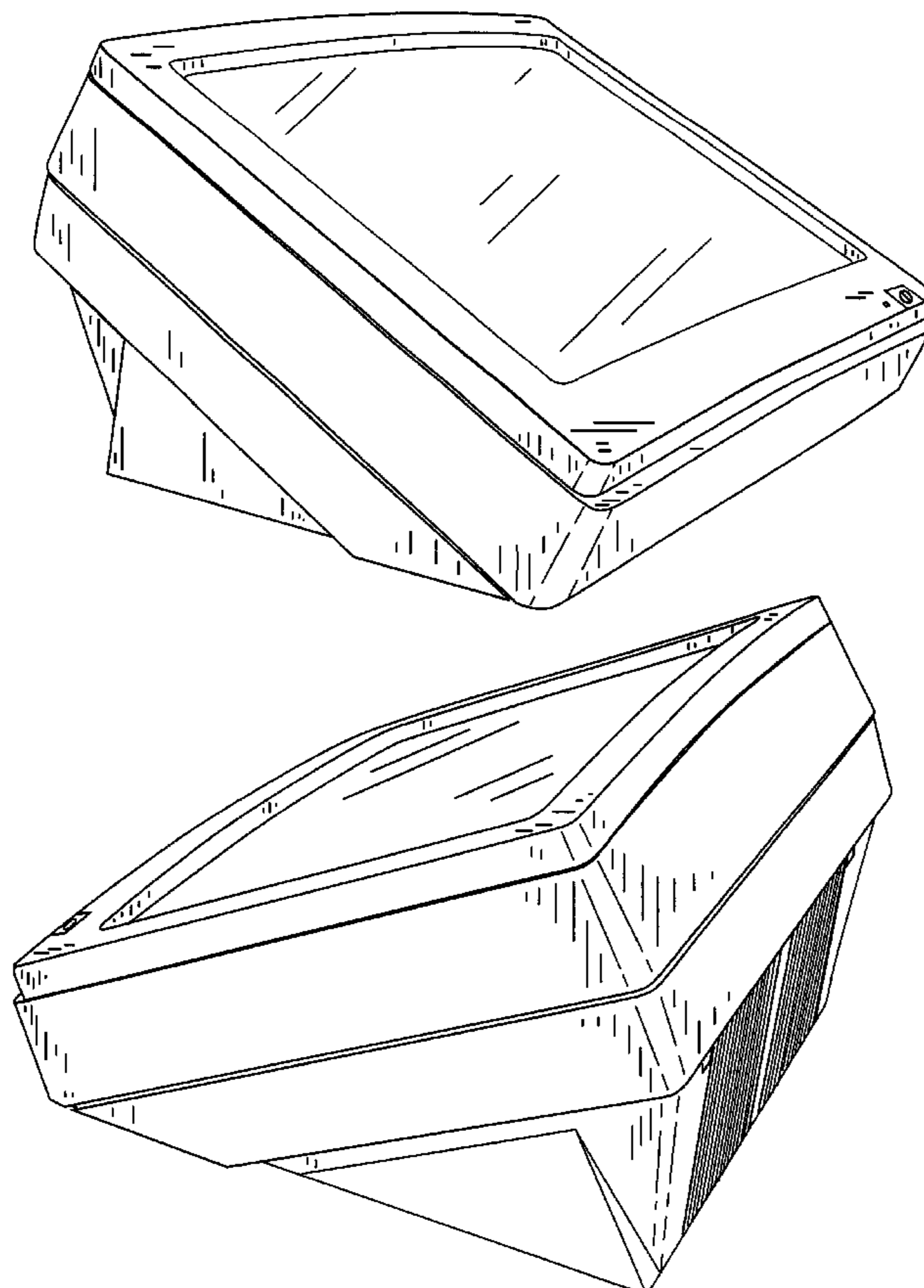
FIG. 1 is a front left perspective view of the computer monitor housing;
FIG. 2 is a rear right perspective view of the computer monitor housing;
FIG. 3 is a front elevational view of the computer monitor housing;
FIG. 4 is a left side elevational view of the computer monitor housing;
FIG. 5 is a rear elevational view of the computer monitor housing;
FIG. 6 is a right side elevational view of the computer monitor housing; and,
FIG. 7 is a top plan view of the computer monitor housing.
A characteristic feature of the design resides in the face that is angled with respect to vertical.

(56) **References Cited**

U.S. PATENT DOCUMENTS

4,862,151 A	*	8/1989	Grauz et al.	345/173
D304,032 S	*	10/1989	Fine et al.	D14/374
D319,434 S	*	8/1991	Lund	D14/341
D346,594 S	*	5/1994	Skaggs et al.	D14/375
D348,661 S	*	7/1994	Hansen et al.	D14/389
D385,903 S	*	11/1997	Kim	D18/4.4
D410,902 S	*	6/1999	Chiocchi	D14/331
D456,020 S	*	4/2002	Obata et al.	D14/336

1 Claim, 4 Drawing Sheets



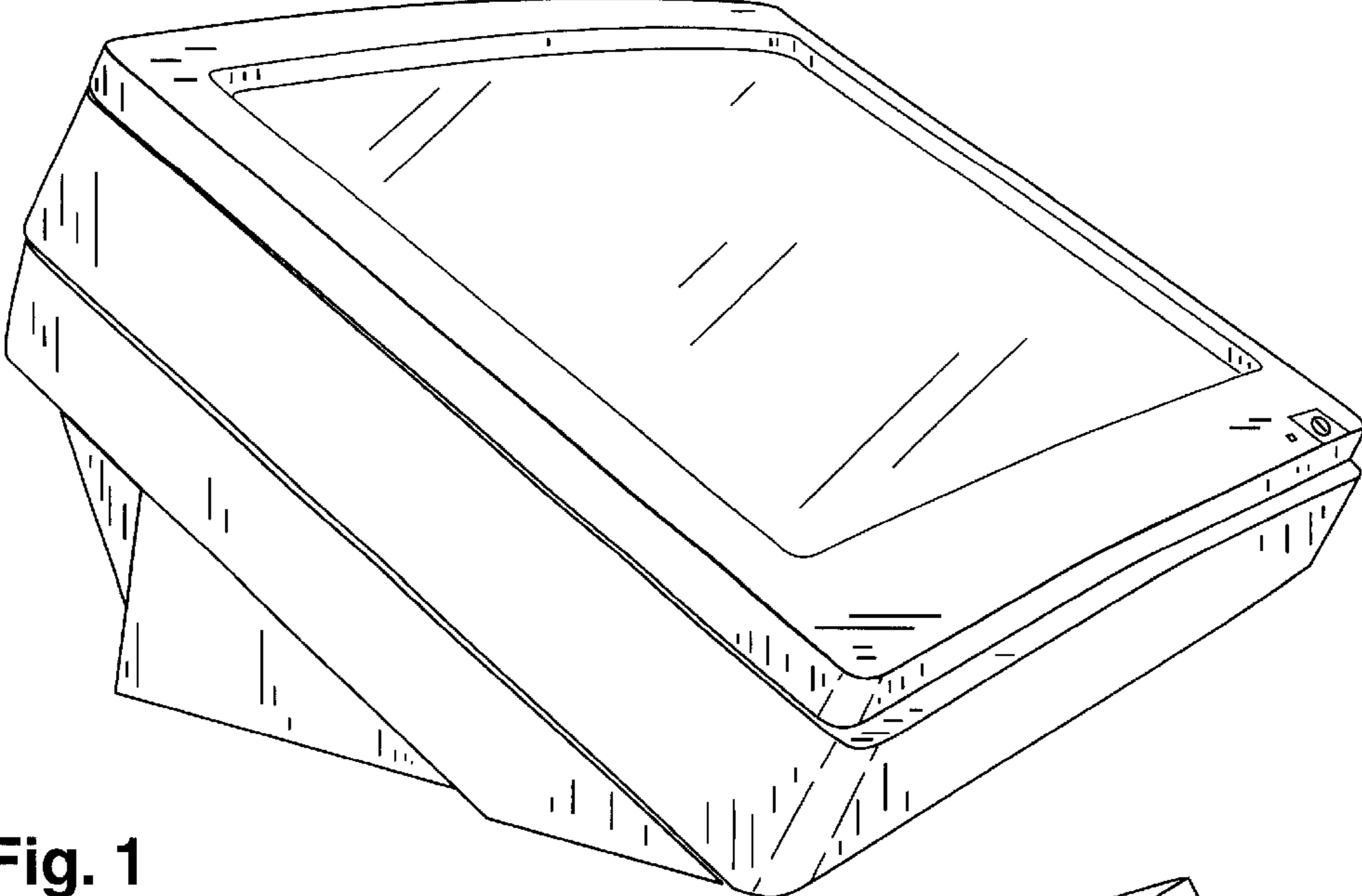


Fig. 1

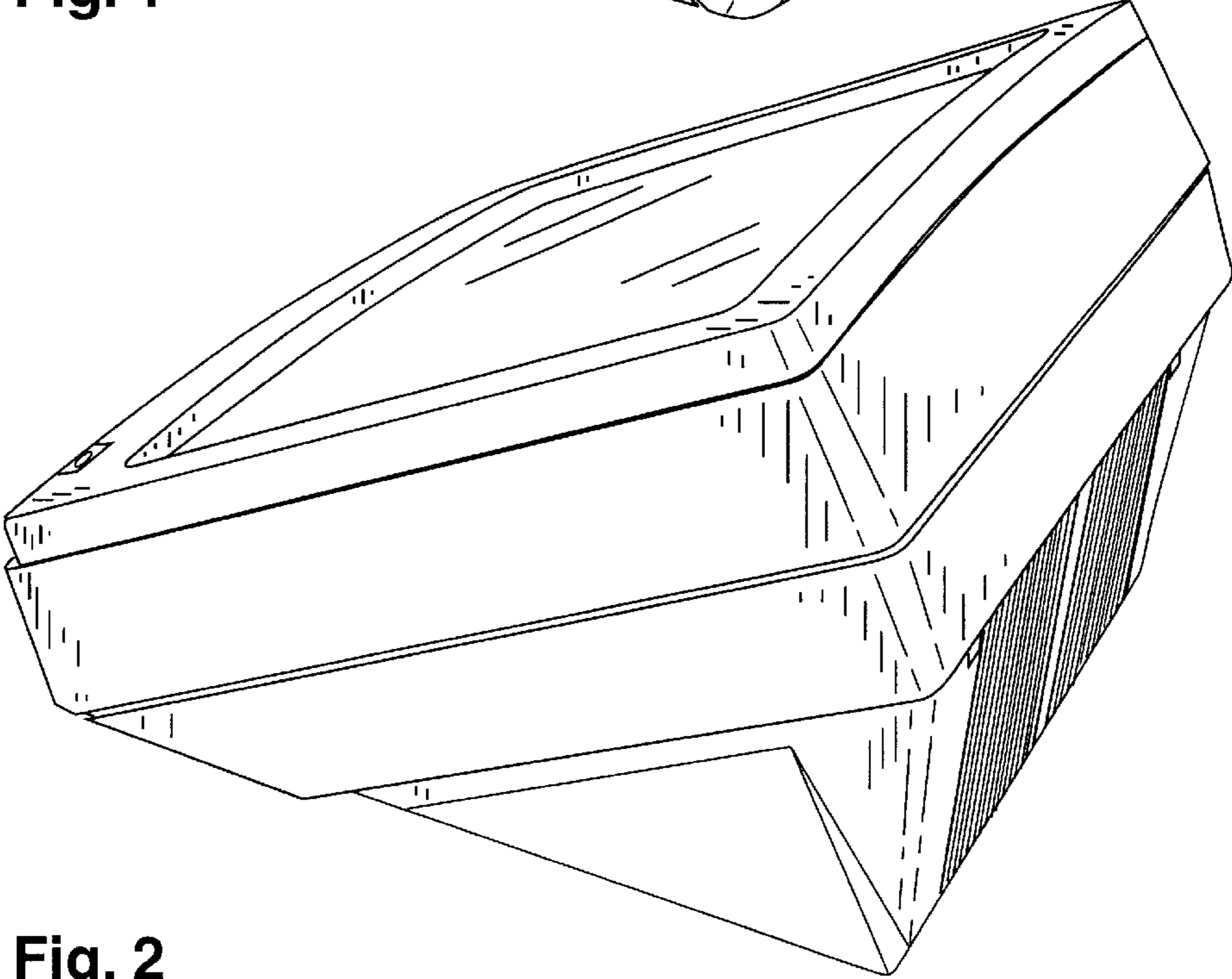


Fig. 2

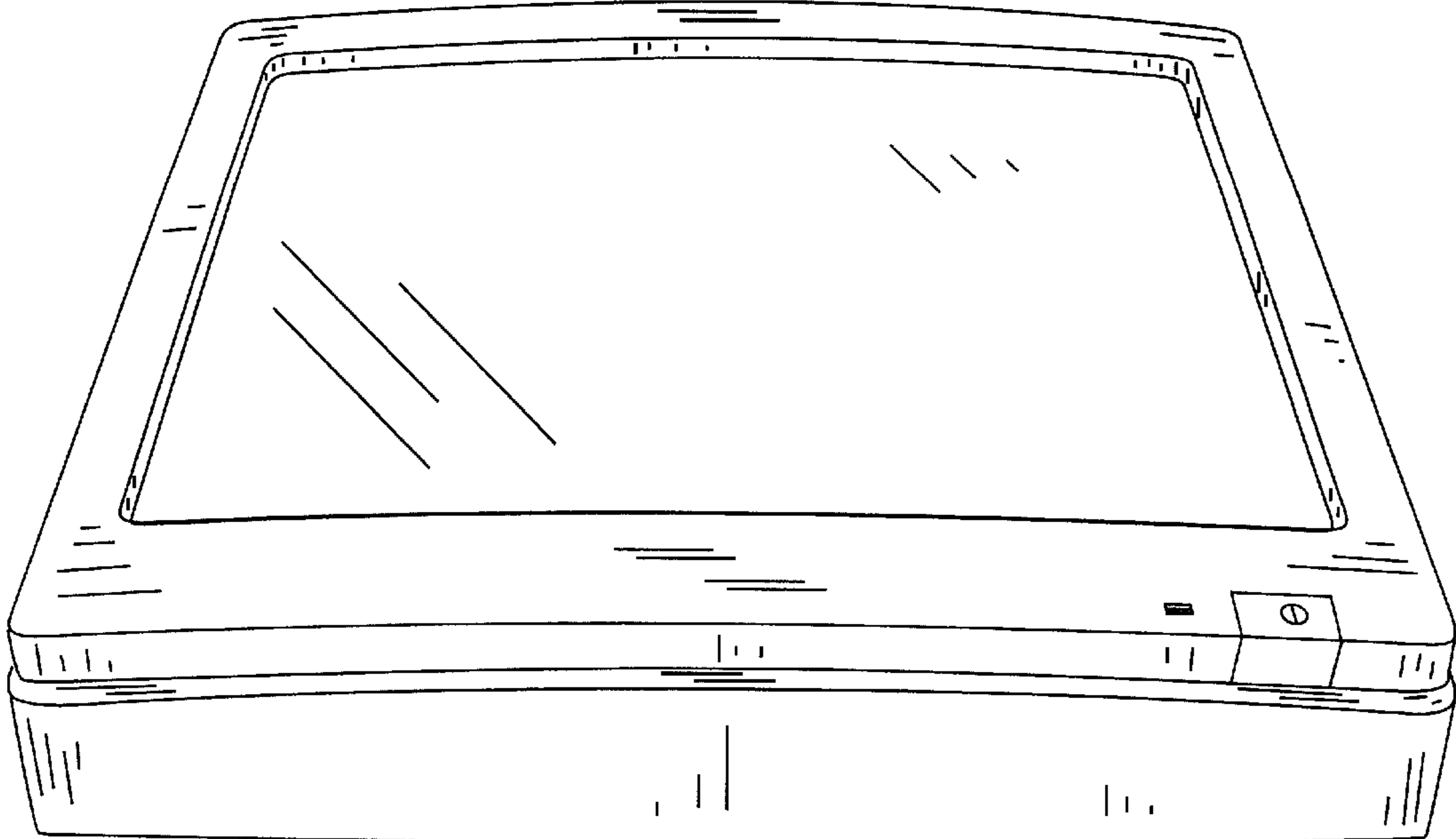


Fig. 3

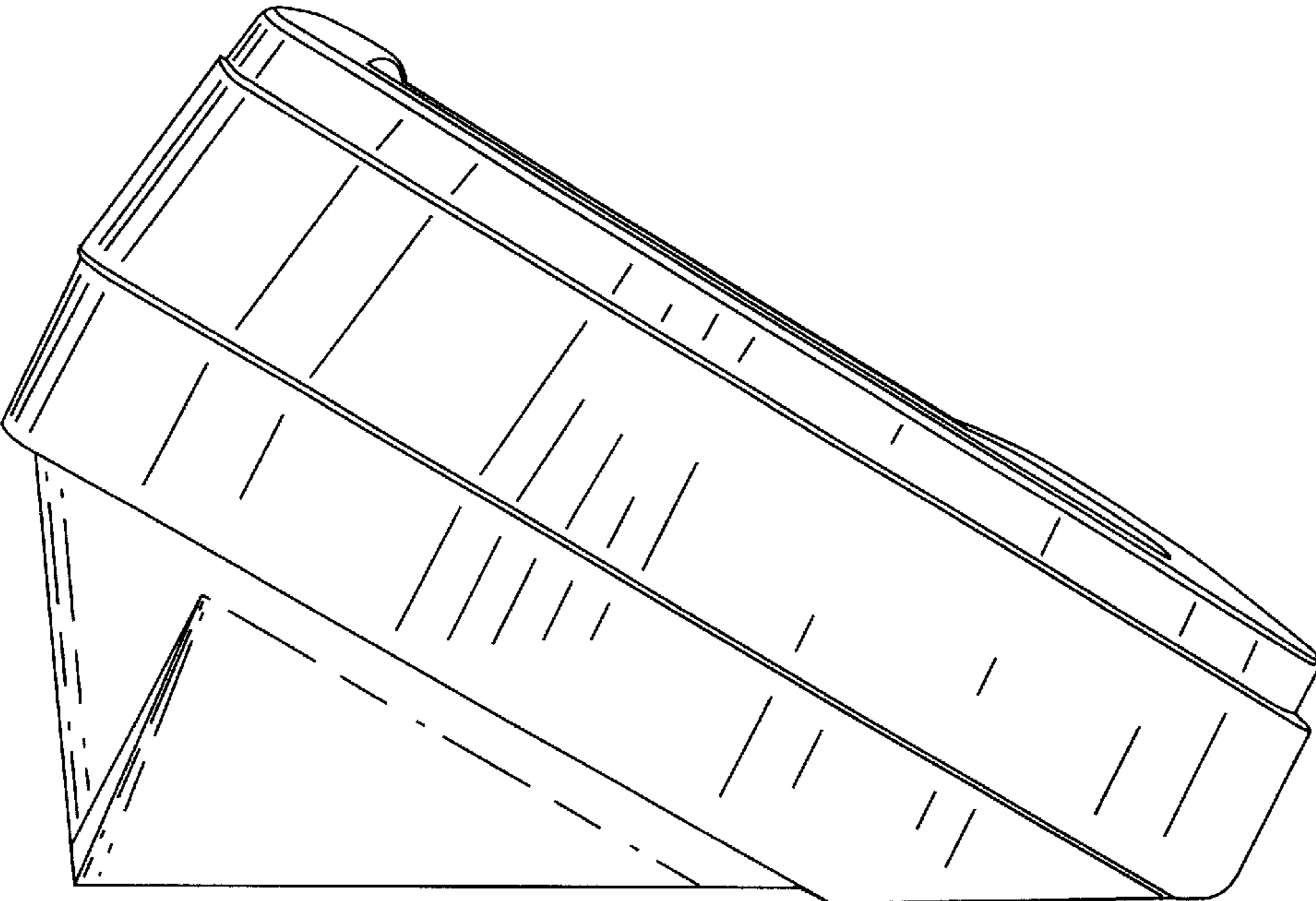


Fig. 4

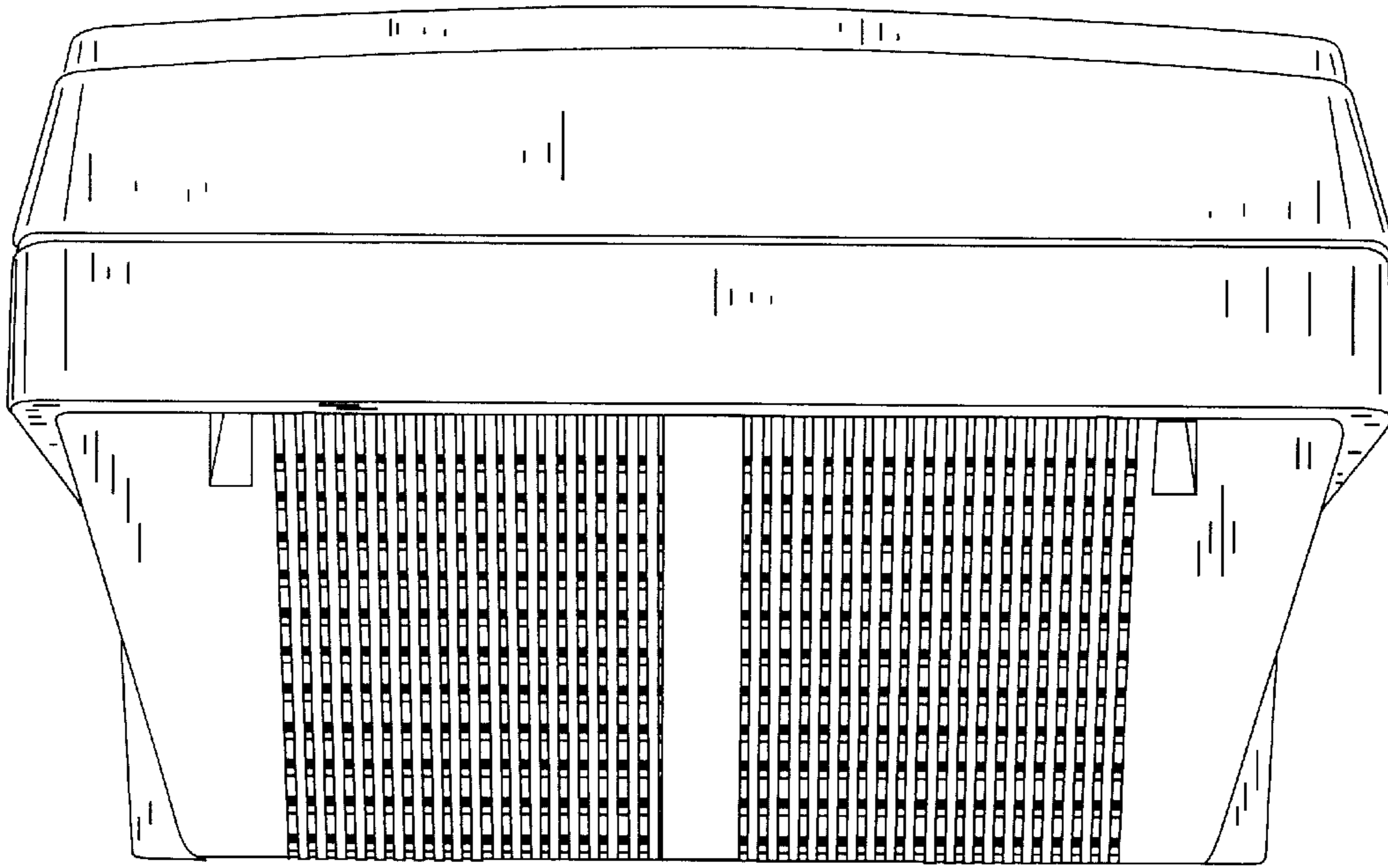


Fig. 5

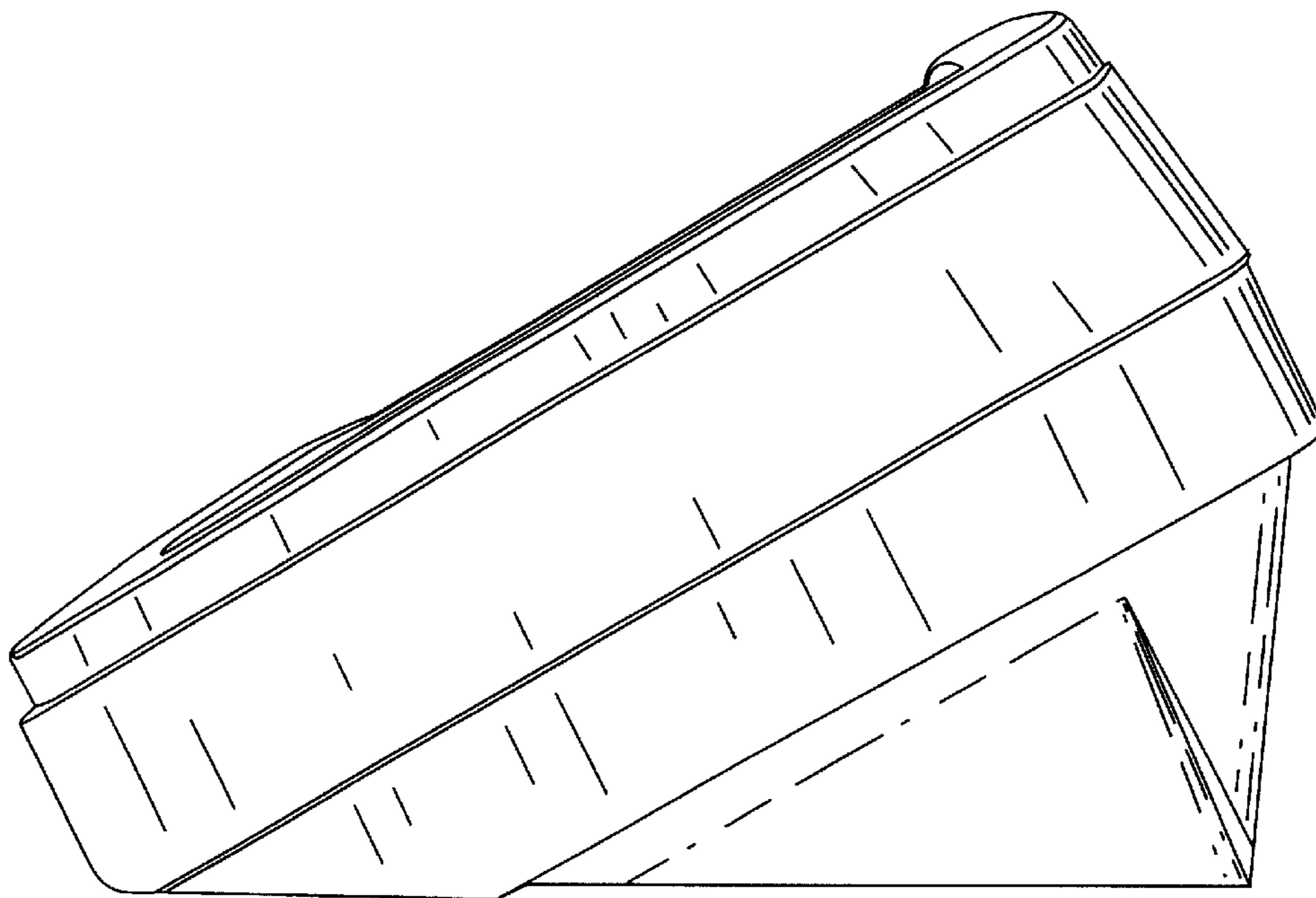


Fig. 6

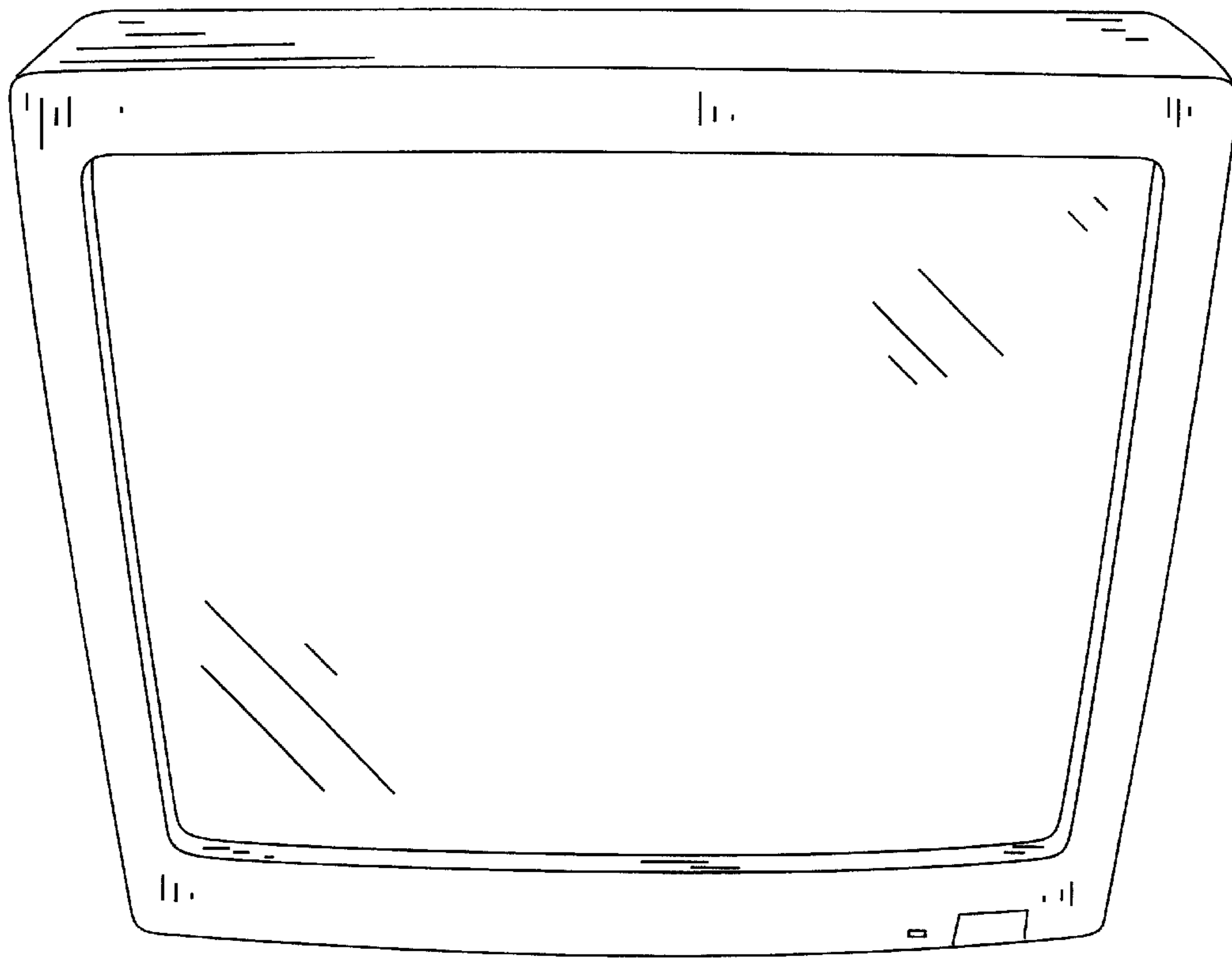


Fig. 7