



US00D514564S

(12) **United States Design Patent** (10) **Patent No.:** **US D514,564 S**
Sato et al. (45) **Date of Patent:** **** Feb. 7, 2006**

(54) **HARD DISK DRIVE**

(75) Inventors: **Toshikuni Sato, Ome (JP); Takahiro Asano, Ome (JP)**

(73) Assignee: **Kabushiki Kaisha Toshiba (JP)**

(**) Term: **14 Years**

(21) Appl. No.: **29/210,208**

(22) Filed: **Jul. 29, 2004**

(30) **Foreign Application Priority Data**

Apr. 20, 2004 (JP) 2004-011920

(51) **LOC (8) Cl.** **14-02**

(52) **U.S. Cl.** **D14/363**

(58) **Field of Classification Search** D14/363,
D14/366-68, 348, 432, 353, 474, 479; D13/184;
360/97.01-97.03, 99.01-99.12, 244.5, 294.3;
310/309; 73/862.49, 862.541, 862.51; 361/600,
361/693, 683-686; 369/258.1, 78, 79; 248/632-638,
248/618; 720/600, 616, 650-652, 655; 439/483,
439/484; 174/35 R, 52.1, 35 GC; 16/260;
312/223.2; 206/701

See application file for complete search history.

(56) **References Cited**

U.S. PATENT DOCUMENTS

5,021,905 A * 6/1991 Sleger 360/97.02
5,029,027 A * 7/1991 Sleger 360/97.03
5,187,621 A * 2/1993 Tacklind 360/97.02
5,703,734 A * 12/1997 Berberich et al. 360/97.02
5,726,829 A * 3/1998 Bodmer et al. 360/99.08
5,805,386 A * 9/1998 Faris 360/264.4
5,867,340 A * 2/1999 Morehouse et al. 360/77.04
6,011,670 A * 1/2000 Balsley et al. 360/97.01

6,108,162 A * 8/2000 Amirkiai et al. 360/97.01
6,183,831 B1 * 2/2001 Hughes et al. 428/65.3
6,185,072 B1 * 2/2001 Braunheim et al. 360/244.5
6,196,047 B1 * 3/2001 Carnegie et al. 73/1.11
6,229,668 B1 * 5/2001 Huynh et al. 360/97.01
6,297,928 B1 * 10/2001 Hahn et al. 360/97.01
6,341,051 B2 * 1/2002 Hachiya et al. 360/265.1
6,359,757 B1 * 3/2002 Mallary 360/294.3
6,366,426 B1 * 4/2002 Beatty et al. 360/97.02
6,373,654 B1 * 4/2002 Iwahara et al. 360/97.01
6,396,665 B1 * 5/2002 Asano 360/264.2
6,399,179 B1 * 6/2002 Hanrahan et al. 428/131
D466,507 S * 12/2002 Nakamura D14/363
6,501,614 B1 * 12/2002 Kang et al. 360/97.01
6,728,062 B1 * 4/2004 Ou-Yang et al. 360/97.02
2001/0043459 A1 * 11/2001 Lindrose 361/685
2002/0044374 A1 * 4/2002 Hirasaka et al. 360/97.01
2002/0093757 A1 * 7/2002 Daniel 360/97.01

* cited by examiner

Primary Examiner—Alan P. Douglas
Assistant Examiner—Susan Moon Lee
(74) *Attorney, Agent, or Firm*—Banner & Witcoff, Ltd.

(57) **CLAIM**

The ornamental design for a hard disk drive, as shown and described.

DESCRIPTION

FIG. 1 is a front, bottom and right side perspective view of a hard disk drive, showing our new design; FIG. 2 is a front elevational view thereof; FIG. 3 is a rear elevational view thereof; FIG. 4 is a top plan view thereof; FIG. 5 is a bottom plan view thereof; and, FIG. 6 is a right side elevational view thereof; a left side elevational view being a mirror image thereof.

1 Claim, 2 Drawing Sheets

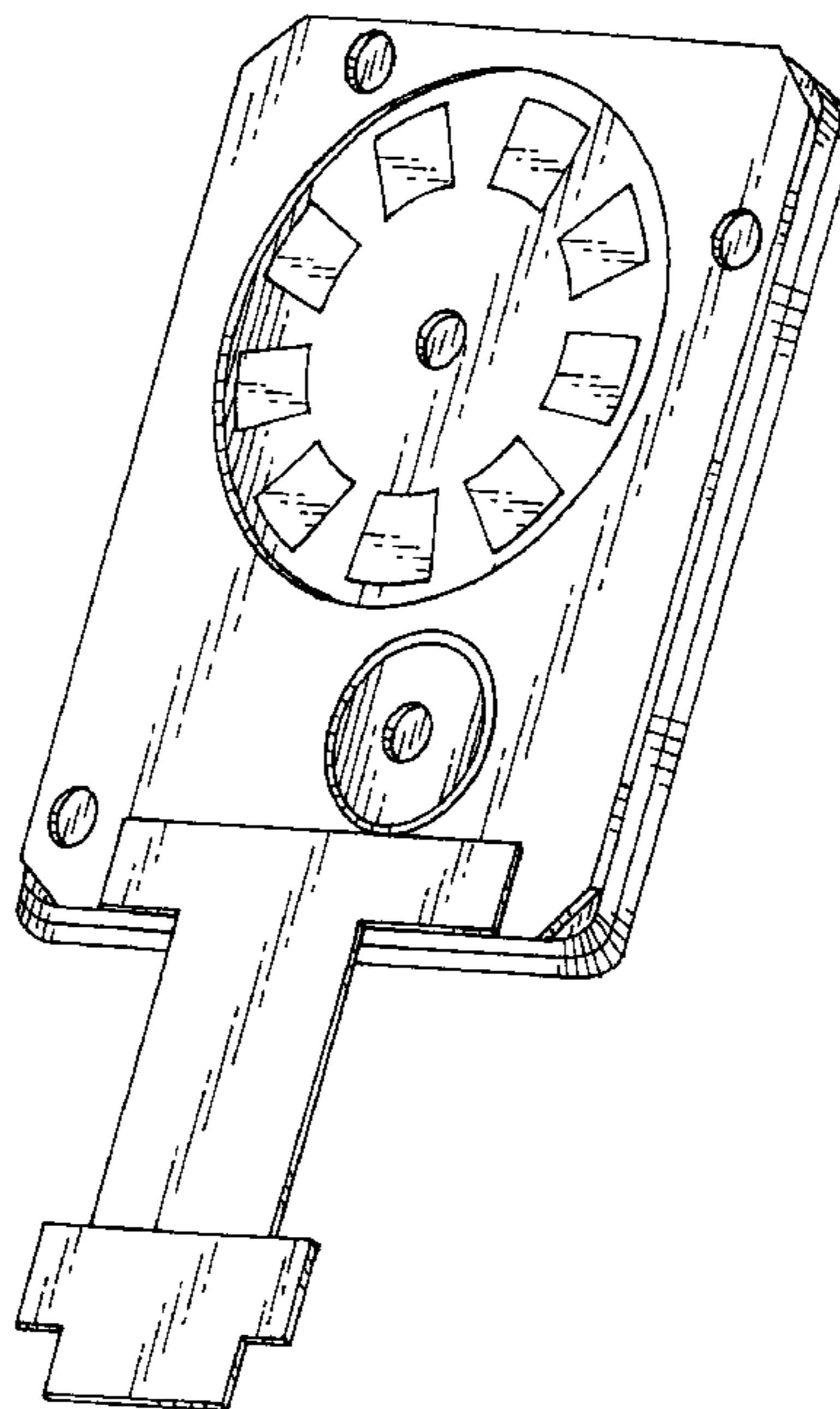


FIG. 1

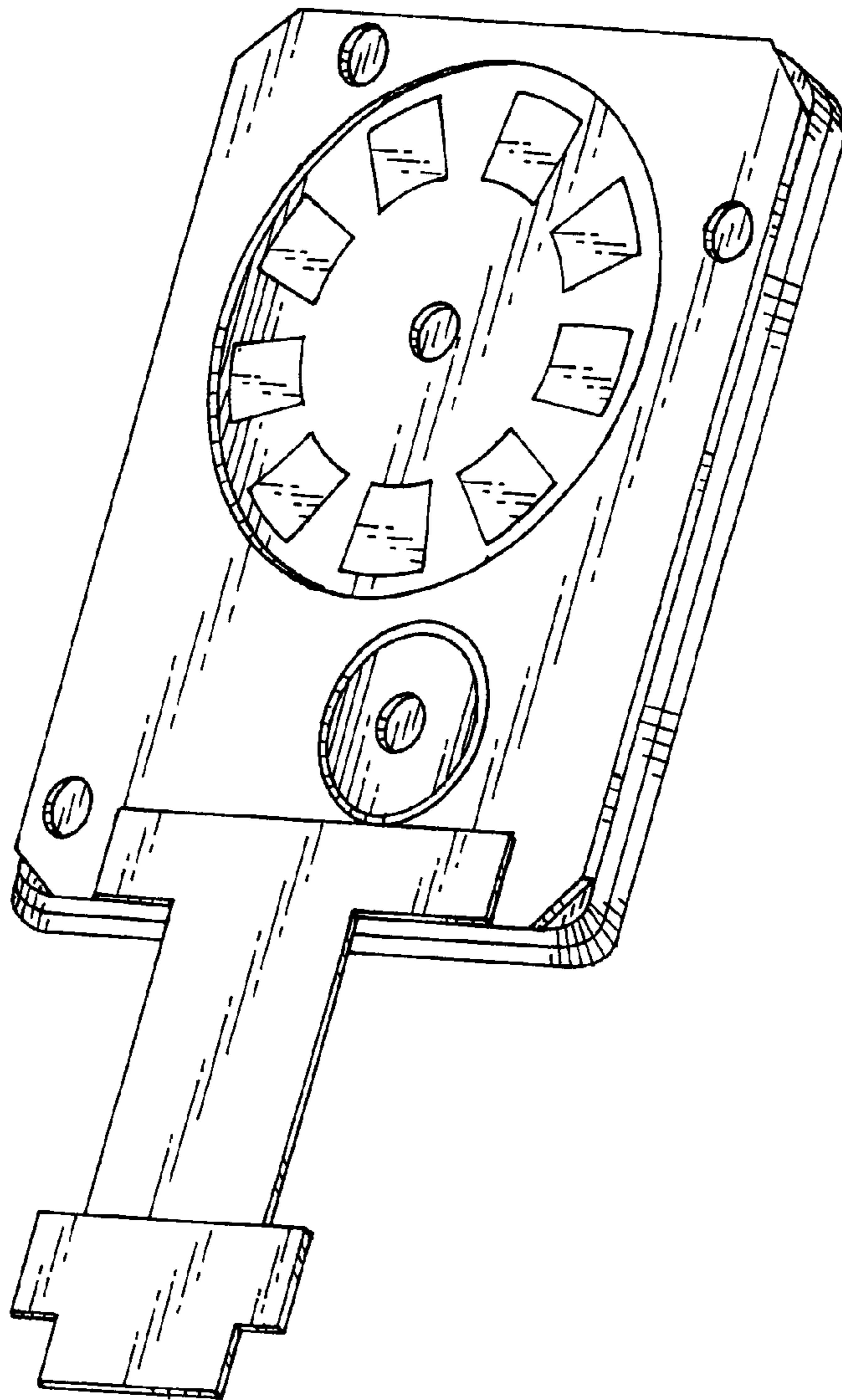


FIG. 4

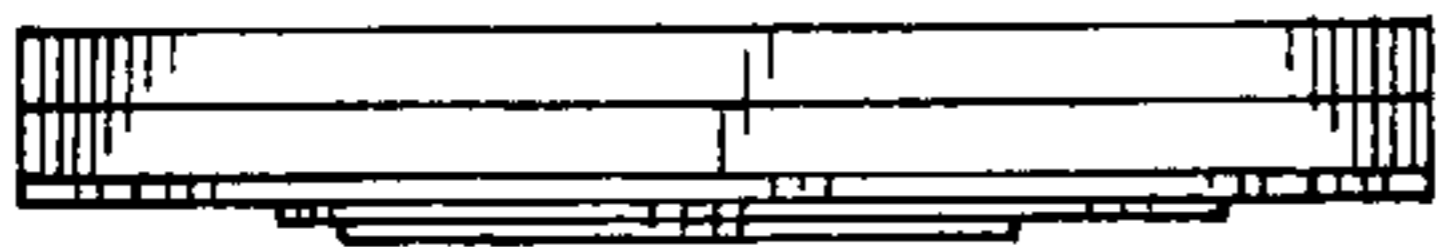


FIG. 2

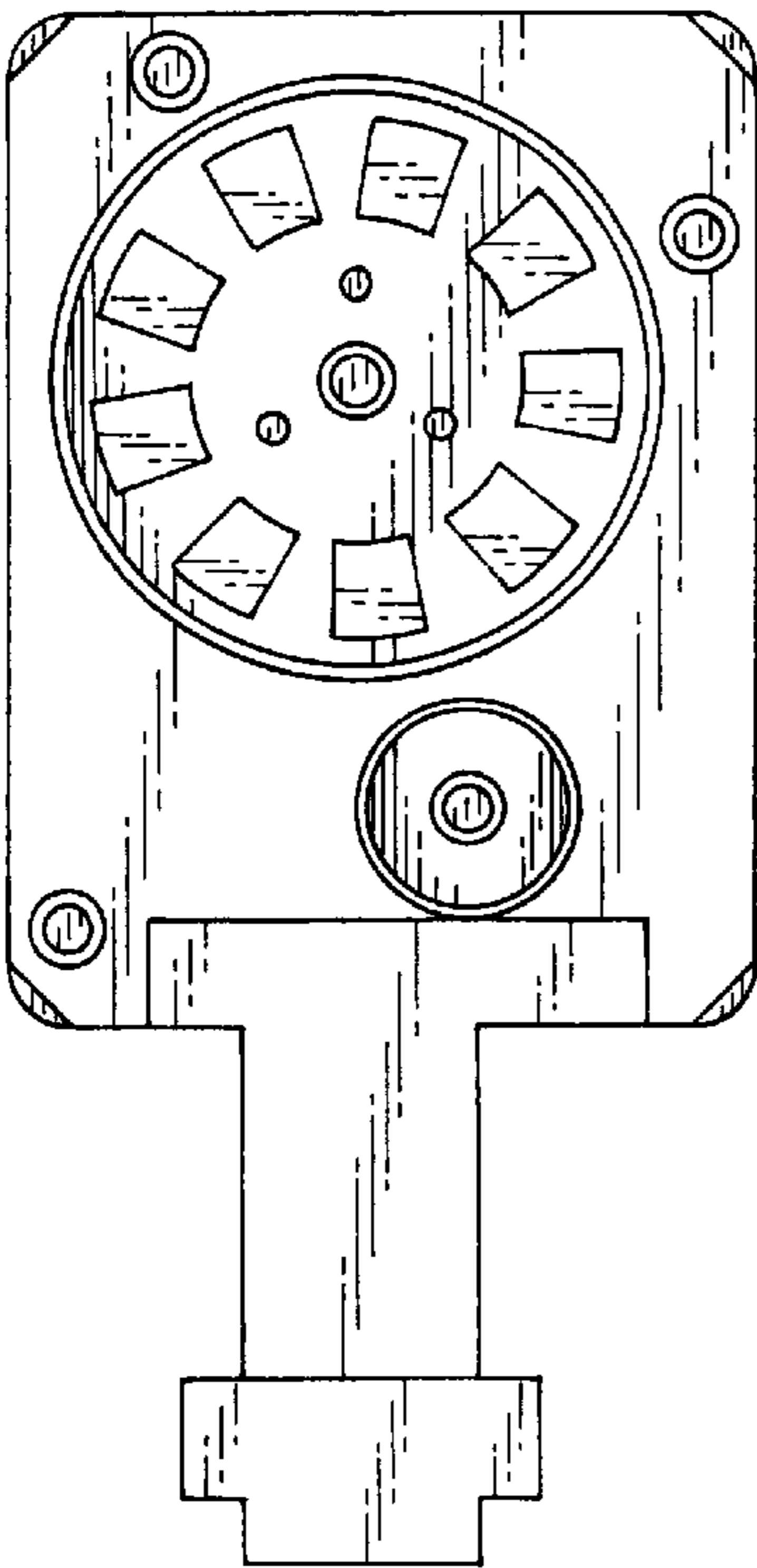


FIG. 3

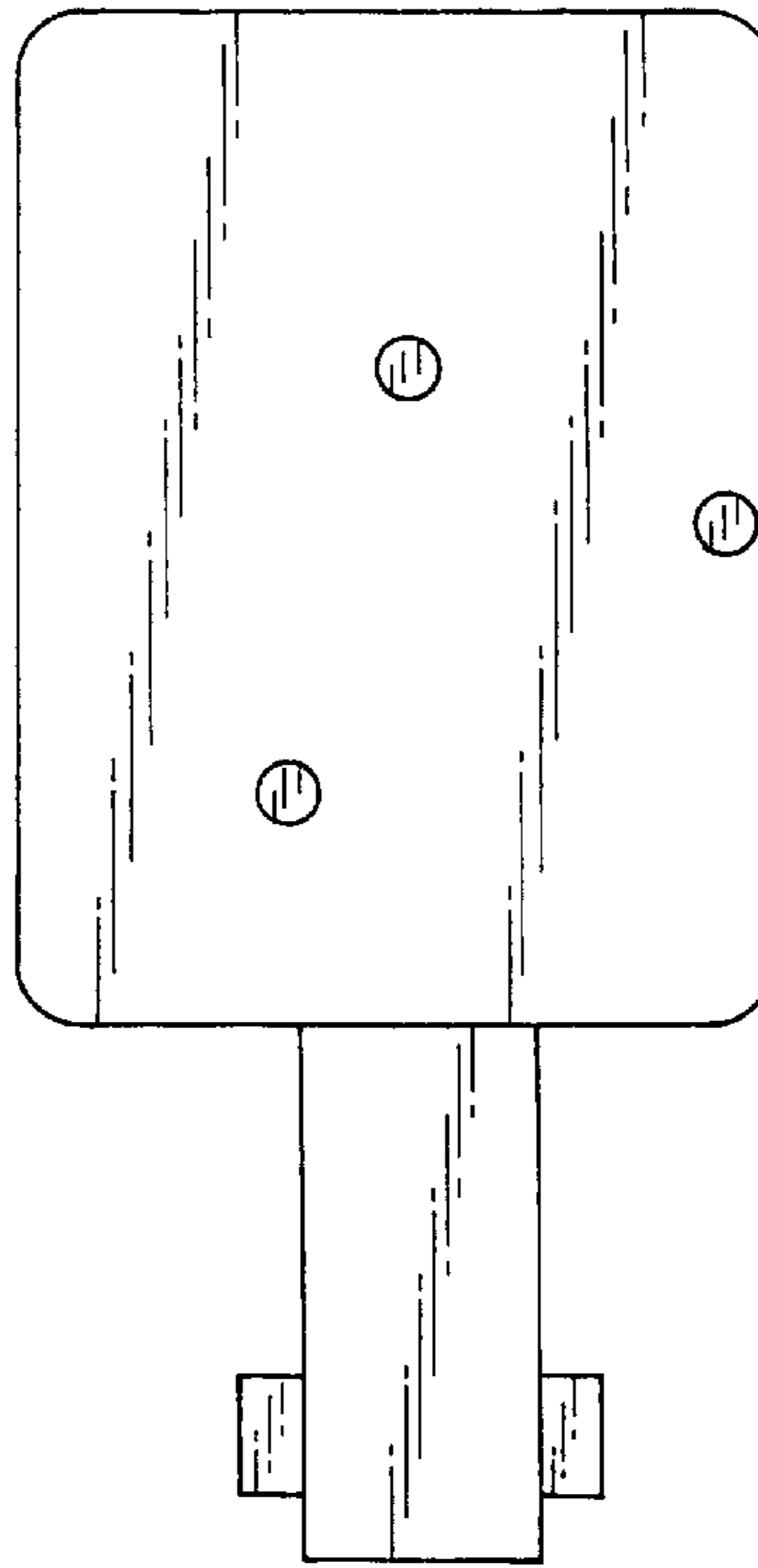


FIG. 6

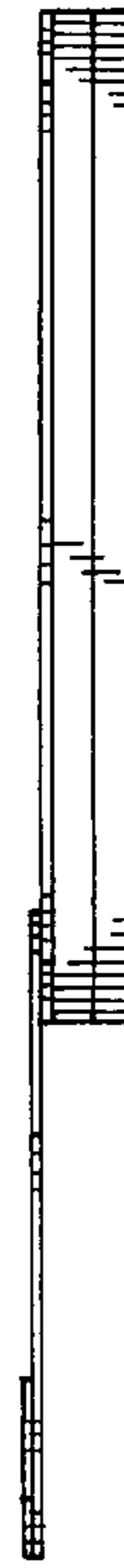


FIG. 5

