



US00D514562S

(12) **United States Design Patent**
Lu et al.

(10) **Patent No.:** **US D514,562 S**
(45) **Date of Patent:** **** Feb. 7, 2006**

(54) **NETWORK DEVICE**

(75) Inventors: **Torence Lu**, Fremont, CA (US);
Hsi-sheng Chen, Taipei (TW); **George Youzhi Yi**, Fremont, CA (US); **Hsu Kuang Hsin**, Tu-cheng Industrial Area (TW); **William Jeffrey Lewis**, Mountain View, CA (US)

(73) Assignee: **Cisco Technologies, Inc.**, San Jose, CA (US)

(**) Term: **14 Years**

(21) Appl. No.: **29/214,683**

(22) Filed: **Oct. 6, 2004**

(51) **LOC (8) Cl.** **14-02**

(52) **U.S. Cl.** **D14/356**

(58) **Field of Classification Search** D14/356-358,
D14/240, 242, 432; D13/184, 123; 709/238,
709/201, 242; 455/557, 90.3; 379/428.01
See application file for complete search history.

(56) **References Cited**

U.S. PATENT DOCUMENTS

6,085,925 A * 7/2000 Chung 220/4.02
6,147,859 A * 11/2000 Abboud 361/683
D471,541 S * 3/2003 Tomino et al. D14/240

* cited by examiner

Primary Examiner—Alan P. Douglas
Assistant Examiner—Susan Moon Lee

(74) *Attorney, Agent, or Firm*—Beyer Weaver & Thomas LLP

(57) **CLAIM**

We claim the ornamental design for a network device, as shown and described.

DESCRIPTION

FIG. 1 is an upper right front perspective view of a network device designed according to the invention.

FIG. 2 is a front elevational view of the network device of FIG. 1.

FIG. 3 is a left side elevational view of the network device of FIG. 1.

FIG. 4 is a rear elevational view of the network device of FIG. 1.

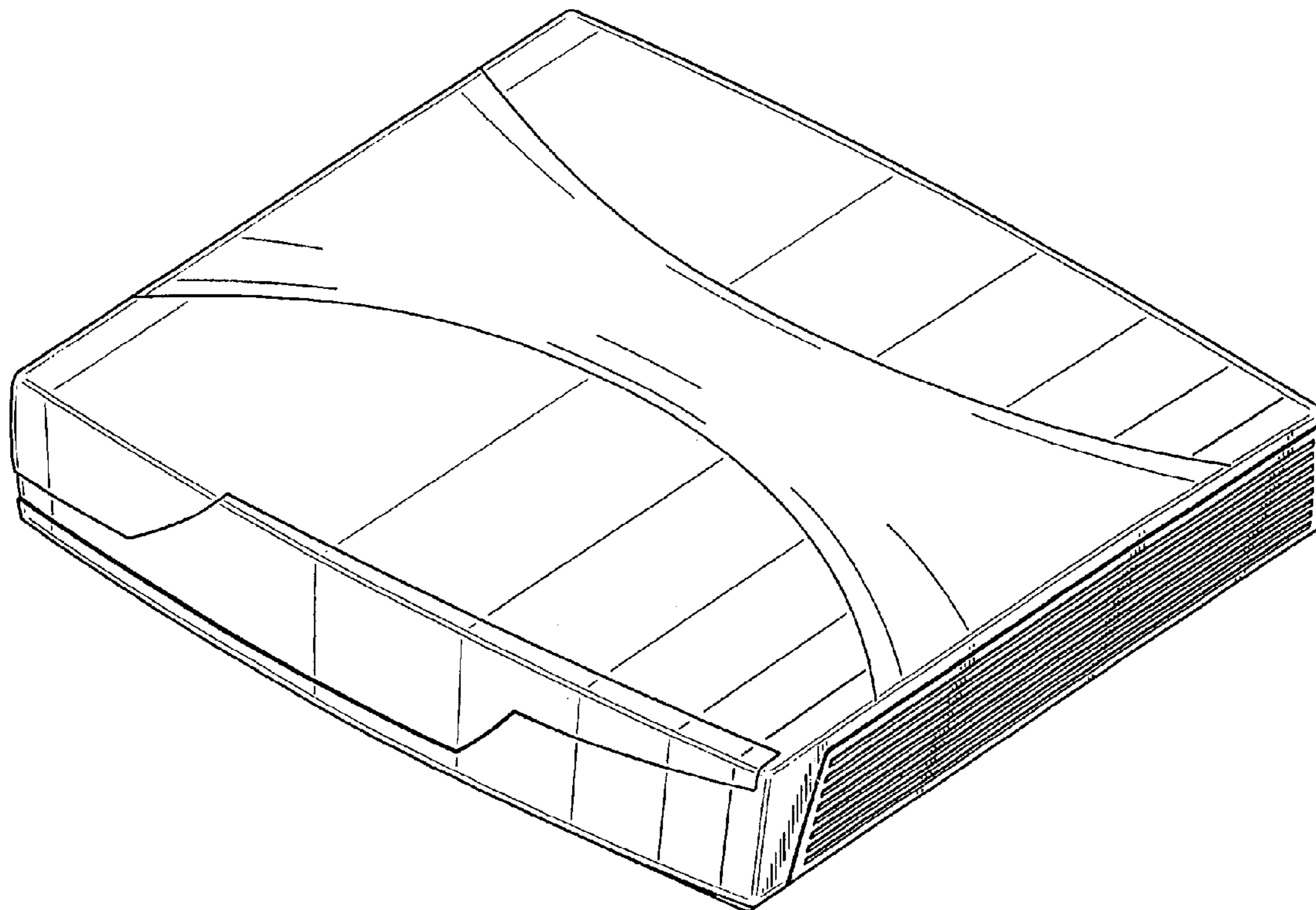
FIG. 5 is a right side elevational view of the network device of FIG. 1.

FIG. 6 is a top plan view of the network device of FIG. 1; and,

FIG. 7 is a bottom plan view of the network device of FIG. 1.

The areas in broken line are for illustrative purposes only and form no part of the claimed design.

1 Claim, 5 Drawing Sheets



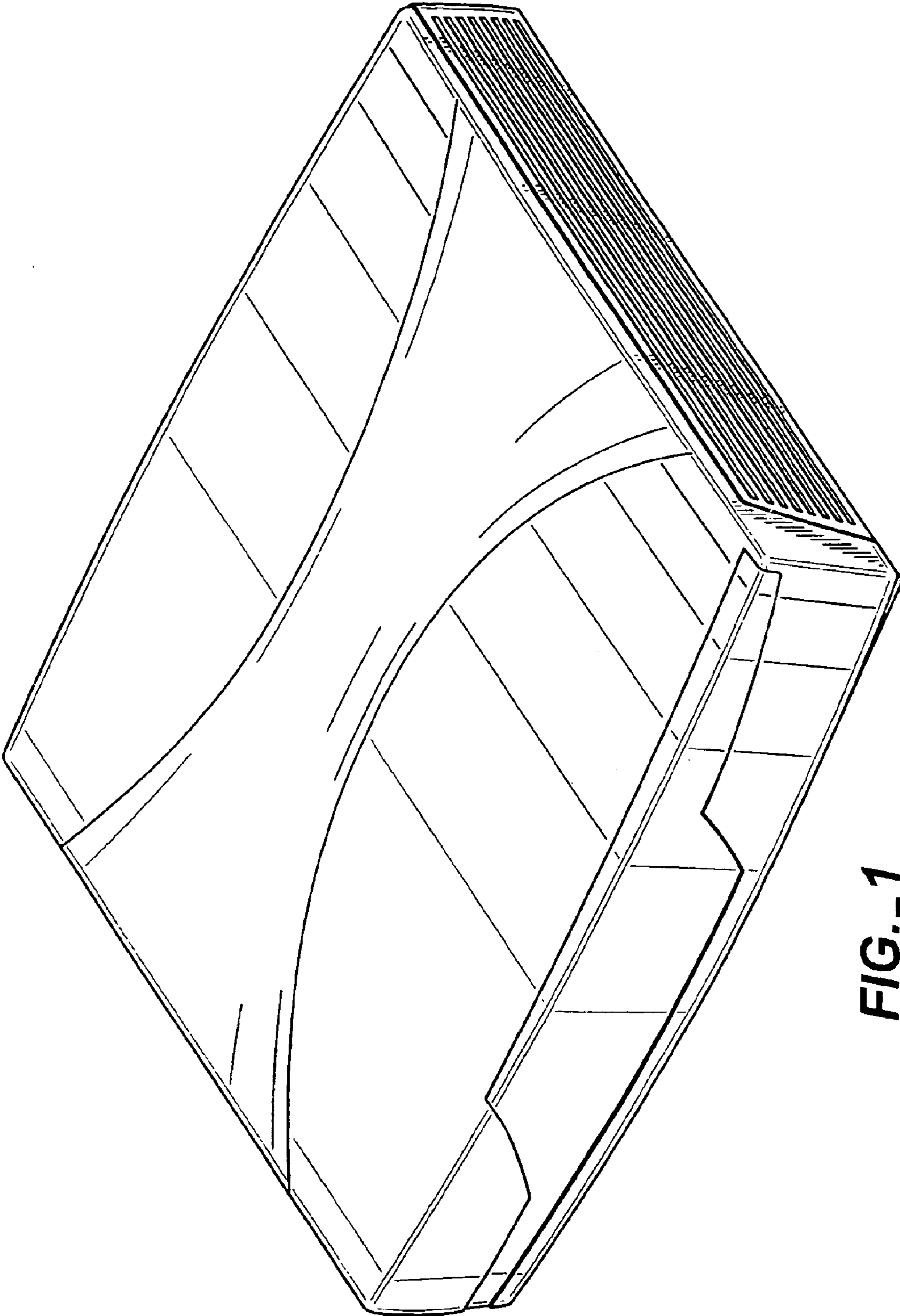


FIG.-1

FIG.--2

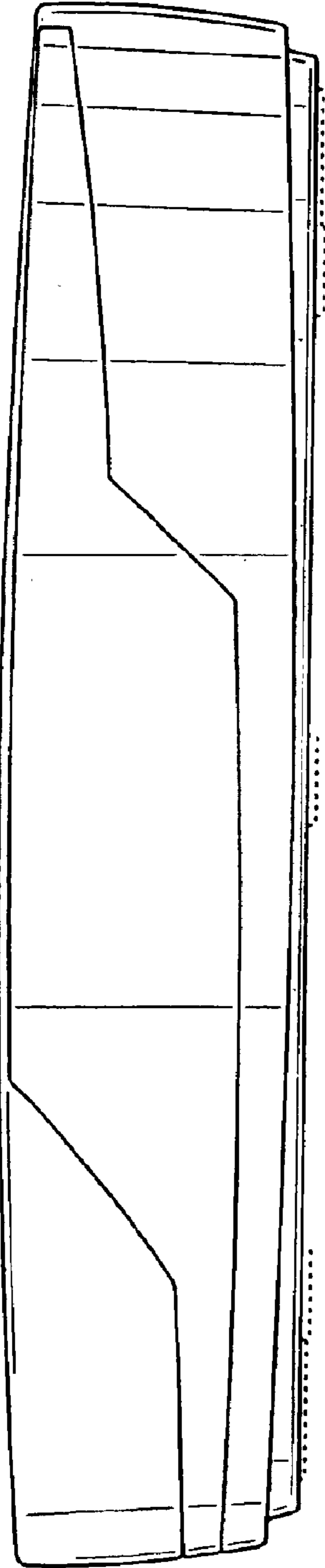


FIG.--4

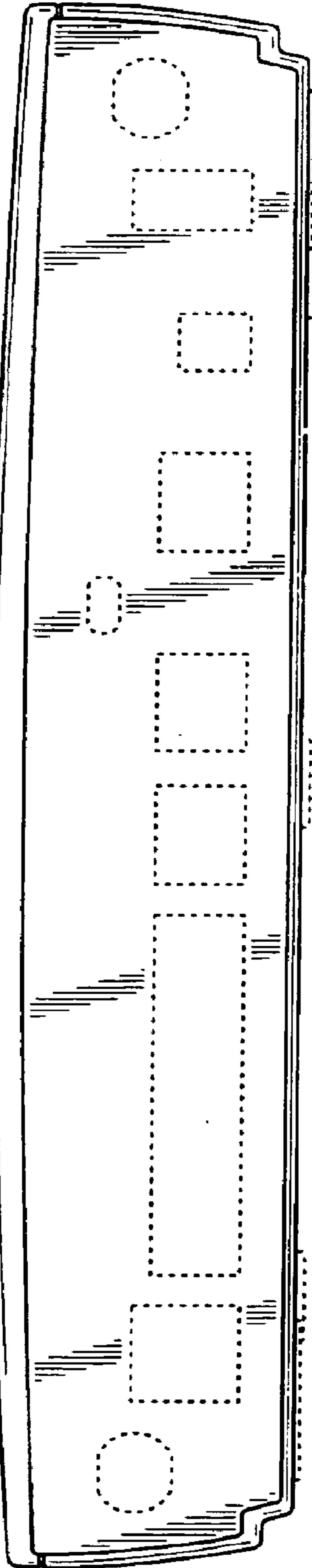


FIG. 3

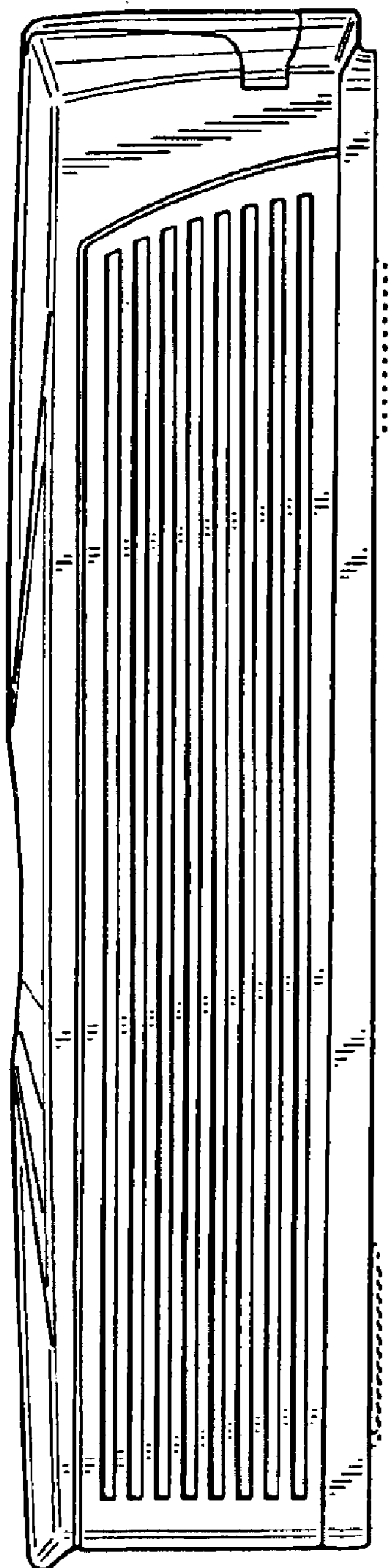
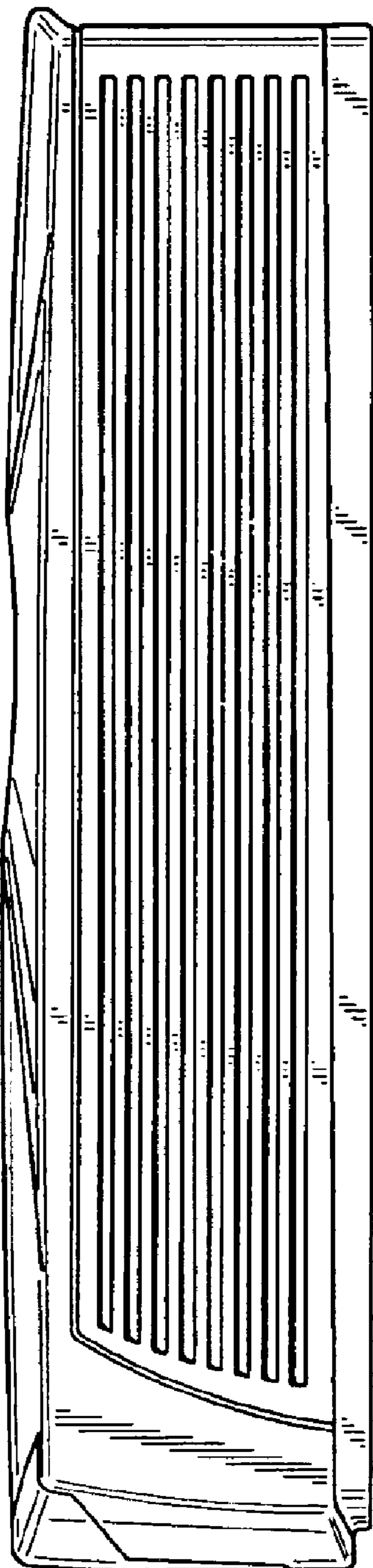


FIG. 5



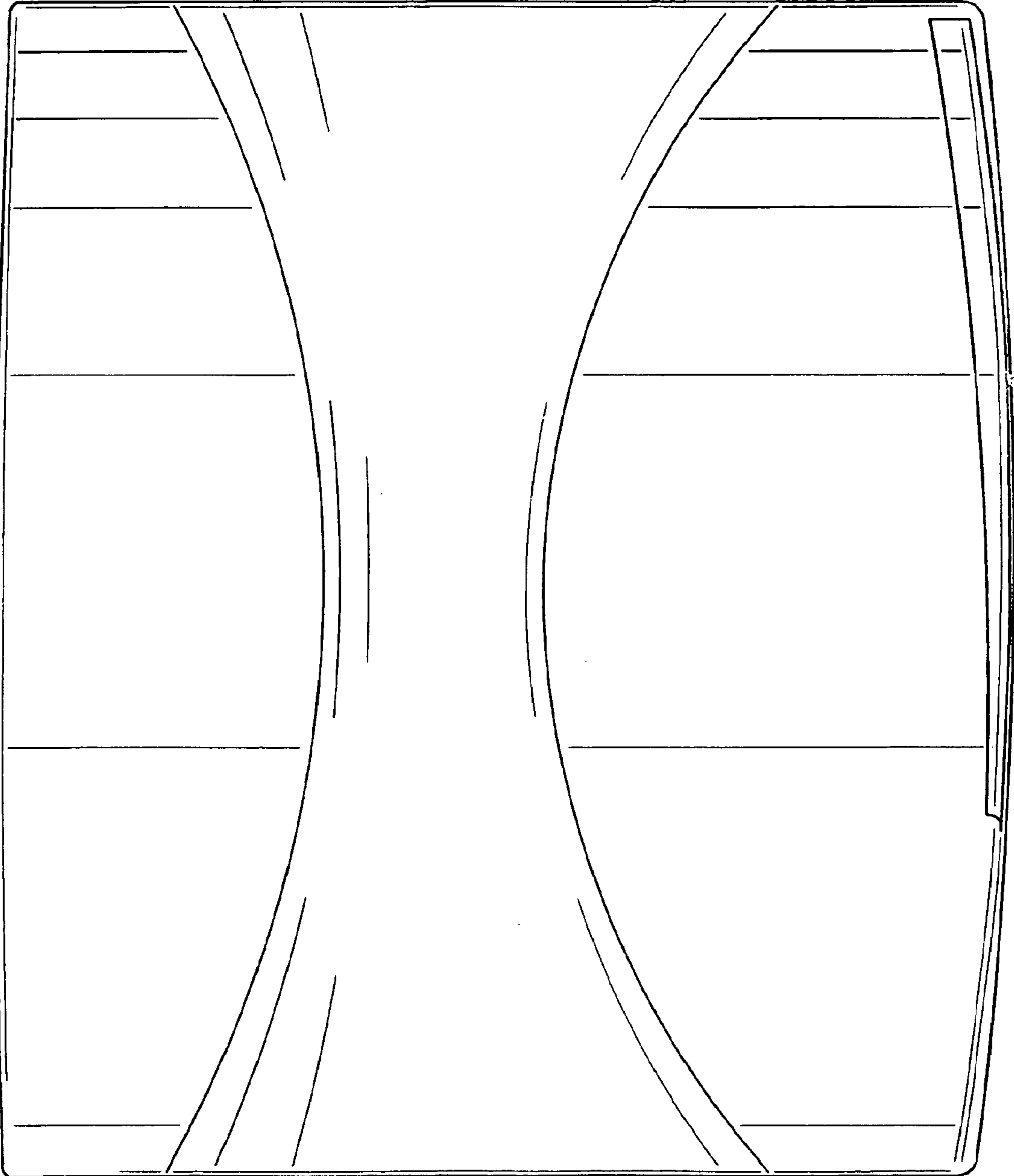


FIG. 6

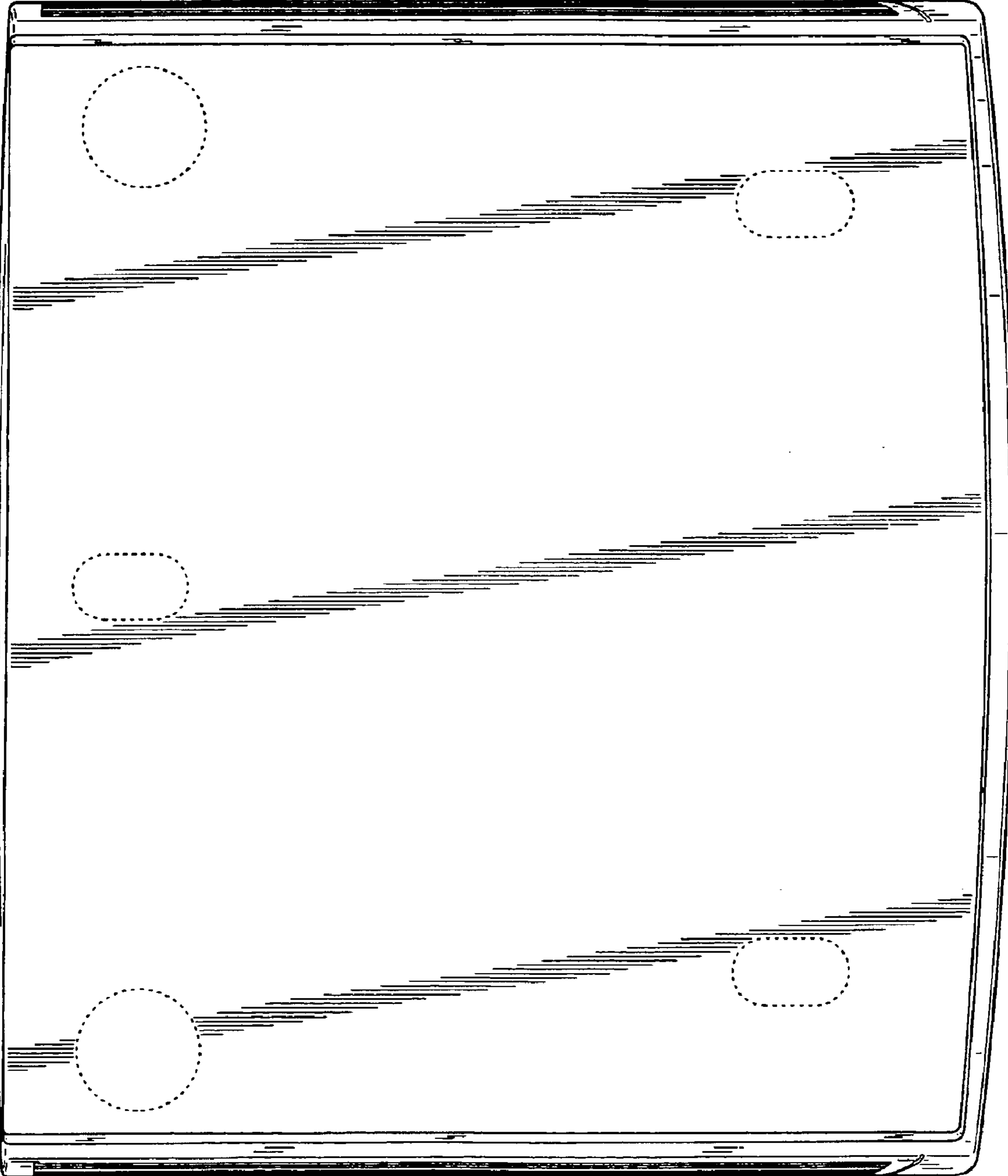


FIG. 7

UNITED STATES PATENT AND TRADEMARK OFFICE
CERTIFICATE OF CORRECTION

PATENT NO. : Des. 514,562 S
DATED : February 7, 2006
INVENTOR(S) : Lu et al.

Page 1 of 1

It is certified that error appears in the above-identified patent and that said Letters Patent is hereby corrected as shown below:

Title page.

Item [73], Assignee, change “**Cisco Technologies, Inc.**” to -- **Cisco Technology, Inc.** --.

Signed and Sealed this

Second Day of May, 2006

A handwritten signature in black ink on a light gray dotted background. The signature reads "Jon W. Dudas" in a cursive style.

JON W. DUDAS

Director of the United States Patent and Trademark Office