



US00D514559S

(12) **United States Design Patent**
Chen

(10) **Patent No.:** **US D514,559 S**

(45) **Date of Patent:** **** Feb. 7, 2006**

(54) **FLASH MEMORY DRIVE**

(75) **Inventor:** **Li-Qiang Chen, Sujhou (CN)**

(73) **Assignee:** **Benq Corporation, Taoyuan (TW)**

(**) **Term:** **14 Years**

(21) **Appl. No.:** **29/207,229**

(22) **Filed:** **Jun. 10, 2004**

(30) **Foreign Application Priority Data**

May 21, 2004 (TW) 93302987

(51) **LOC (8) Cl.** **14-02**

(52) **U.S. Cl.** **D14/356**

(58) **Field of Classification Search** D14/365,
D14/363, 356, 348, 341, 432, 433, 434-35,
D14/439, 483; 361/625, 725, 683-86, 737,
361/732, 784, 803; 70/58, 30; 711/115; 439/165,
439/173, 31, 135, 140, 144; 429/185, 96;
708/142; 710/62, 74, 61, 68; 360/69, 98.02;
D13/184, 199; 174/250, 255; 235/492, 441
See application file for complete search history.

(56) **References Cited**

U.S. PATENT DOCUMENTS

D348,462 S * 7/1994 Campbell D14/191
D373,587 S * 9/1996 Hon et al. D14/191
D382,560 S * 8/1997 Khoo et al. D14/191

D408,025 S * 4/1999 Tanimura D14/434
D432,082 S * 10/2000 Chang D13/123
D436,958 S * 1/2001 Chen et al. D14/363
D438,525 S * 3/2001 Katayama D14/156
D449,615 S * 10/2001 Lloyd D14/433
D470,499 S * 2/2003 Salazar et al. D14/436
6,567,273 B1 * 5/2003 Liu et al. 361/737
D493,790 S * 8/2004 Wu D14/348

* cited by examiner

Primary Examiner—Alan P. Douglas

Assistant Examiner—Susan Moon Lee

(74) *Attorney, Agent, or Firm*—Thomas, Kayden,
Horstemeyer & Risley

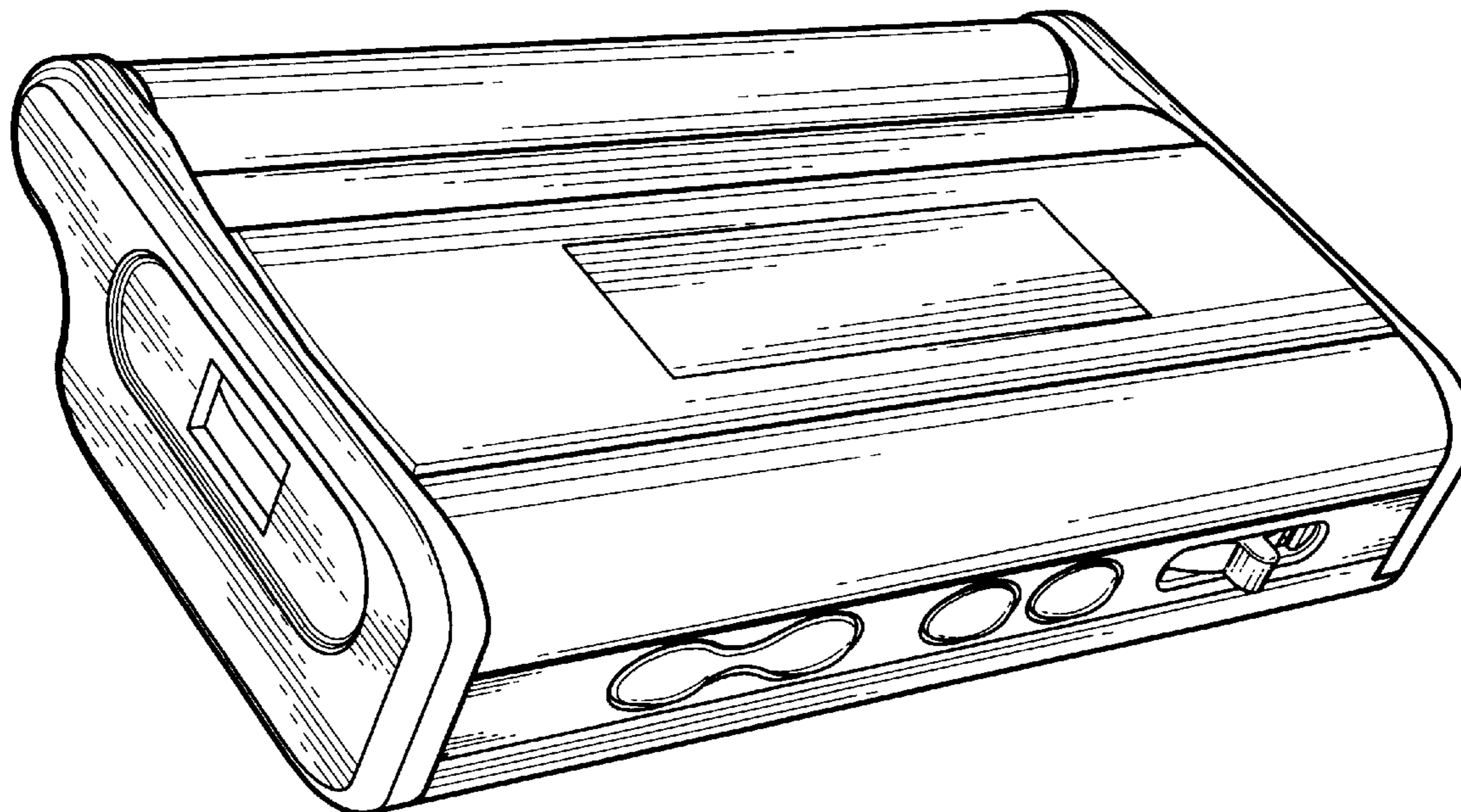
(57) **CLAIM**

The ornamental design for a flash memory drive, as shown
and described.

DESCRIPTION

FIG. 1 is a perspective view of a flash memory drive.
FIG. 2 is a front elevational view thereof;
FIG. 3 is a rear elevational view thereof;
FIG. 4 is a left side elevational view thereof;
FIG. 5 is a right side elevational view thereof;
FIG. 6 is a top plan view thereof;
FIG. 7 is a bottom plan view thereof; and,
FIG. 8 is also a perspective view thereof.

1 Claim, 5 Drawing Sheets



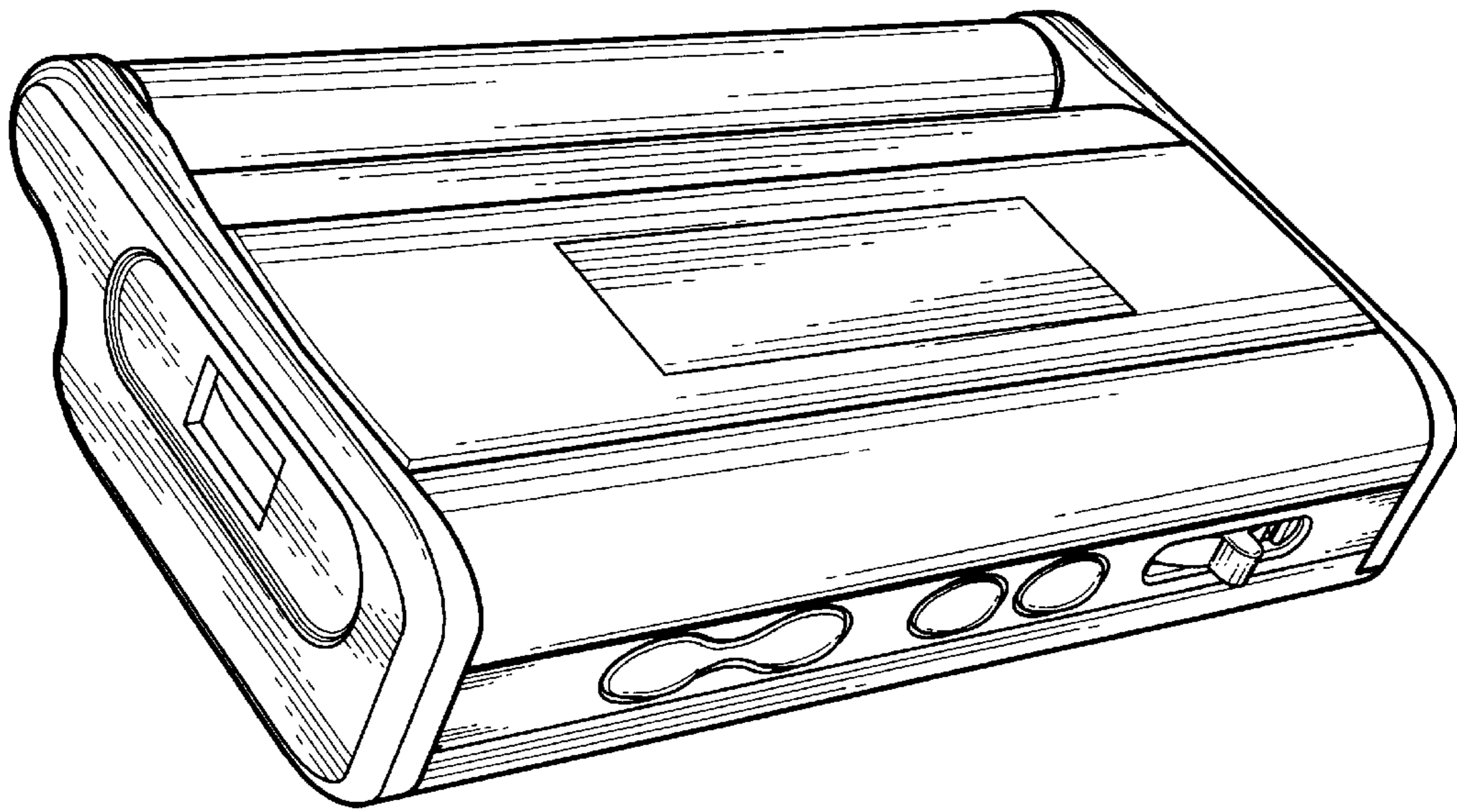


FIG. 1



FIG. 2

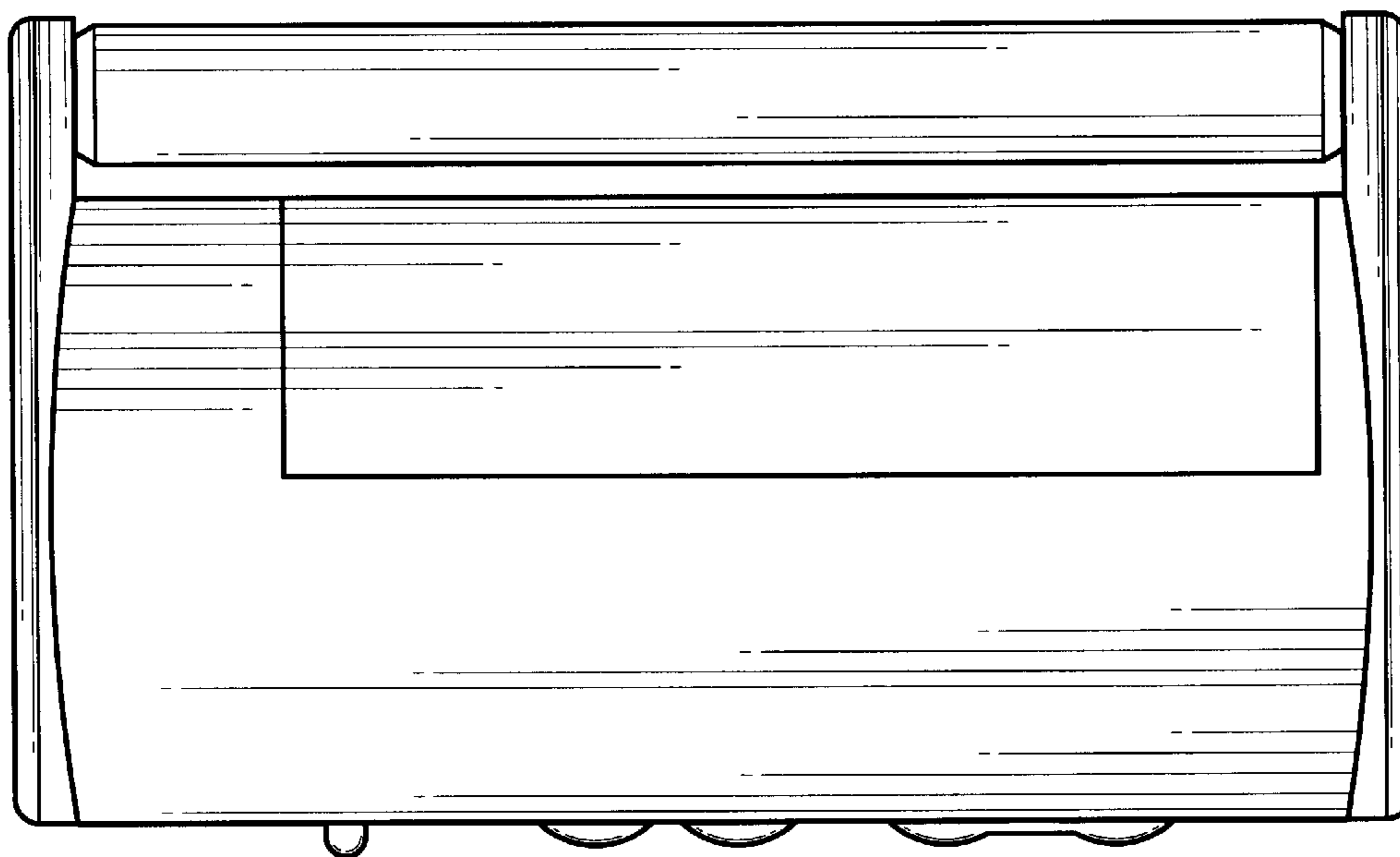


FIG. 3

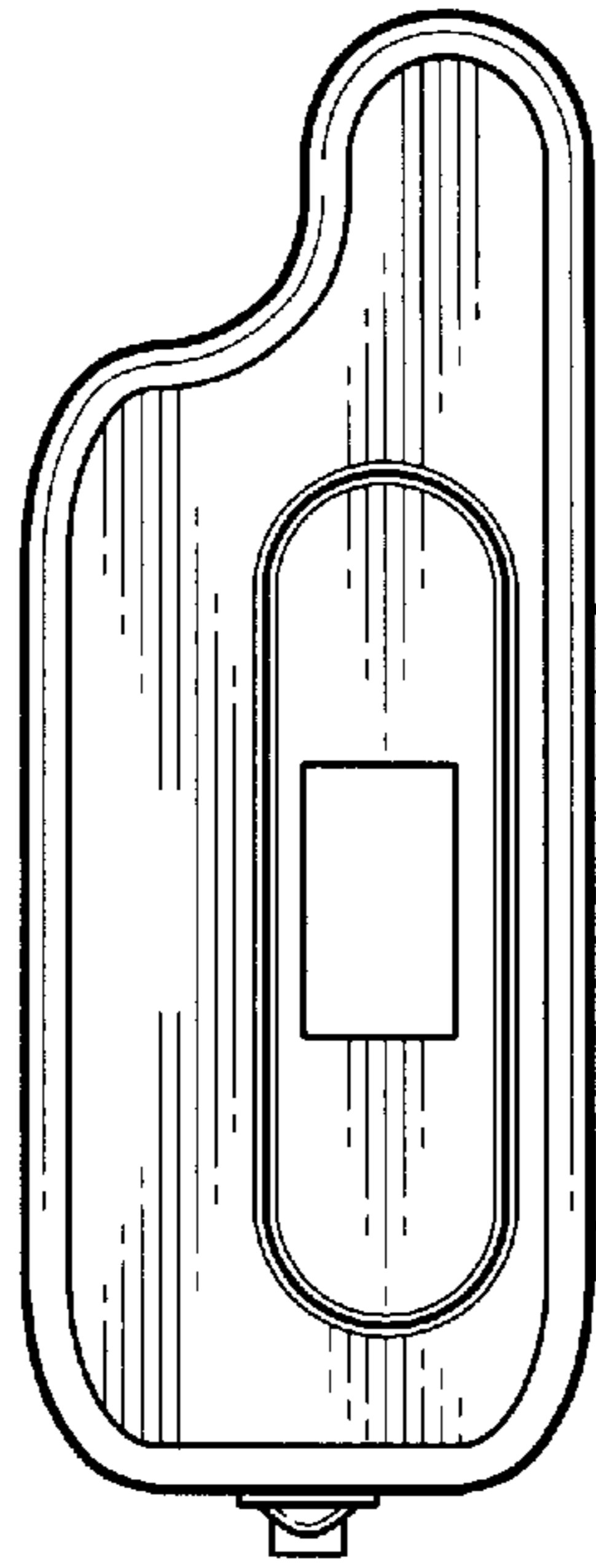


FIG. 4

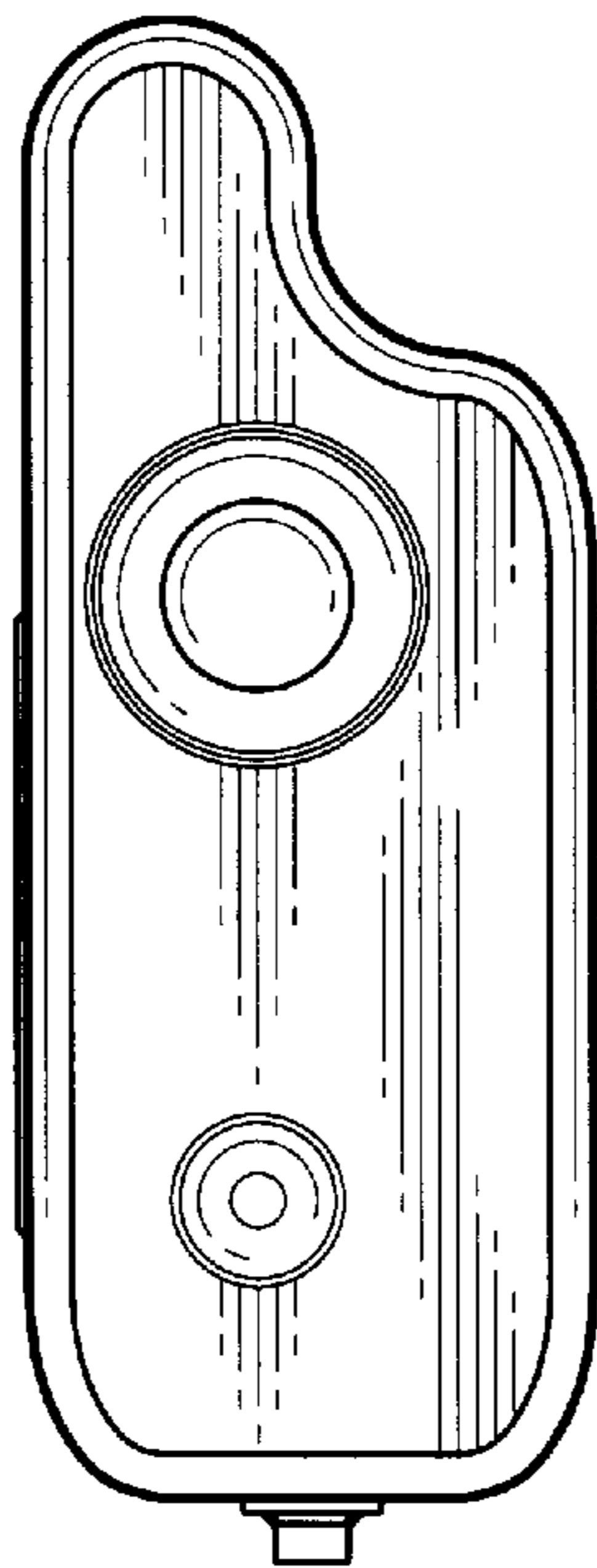


FIG. 5

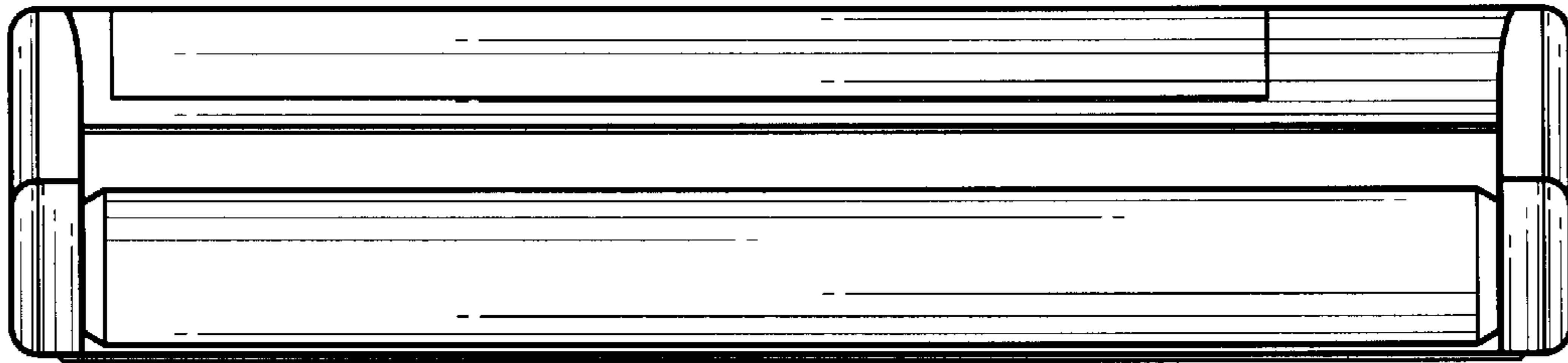


FIG. 6

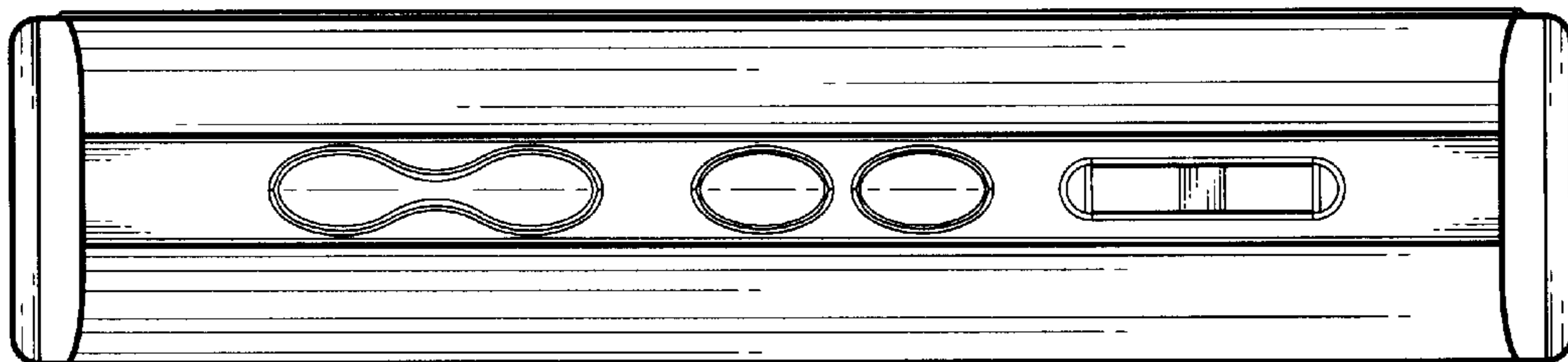


FIG. 7

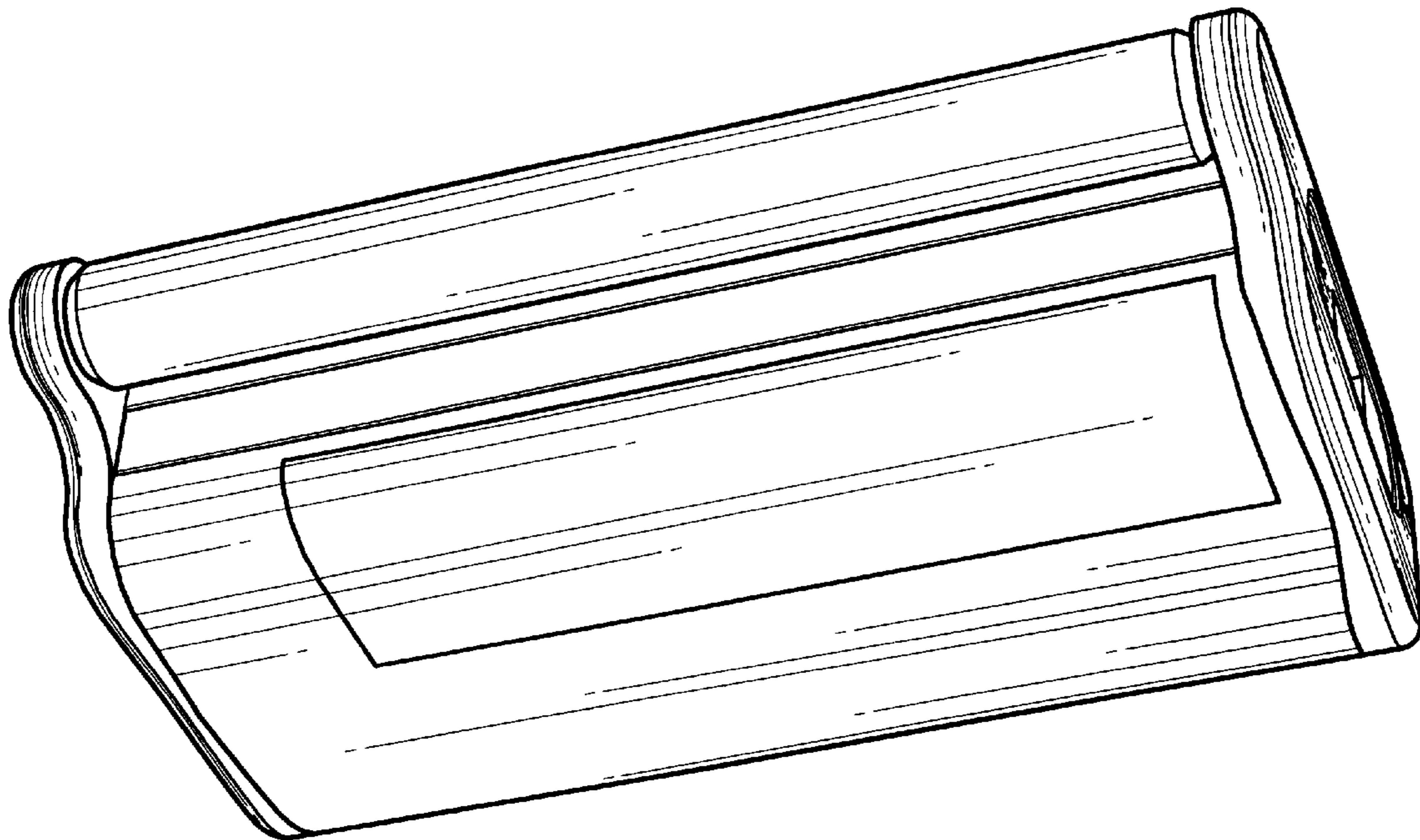


FIG. 8