



US00D514556S

(12) **United States Design Patent** (10) **Patent No.:** **US D514,556 S**
Rising (45) **Date of Patent:** **** Feb. 7, 2006**

(54) **COMPUTER HOUSING**

(76) **Inventor:** **Benjamin A. Rising**, 23740 E. Lolo Pass, Rhododendron, OR (US) 97049

(**) **Term:** **14 Years**

(21) **Appl. No.:** **29/206,306**

(22) **Filed:** **May 28, 2004**

(51) **LOC (8) Cl.** **14-02**

(52) **U.S. Cl.** **D14/300**

(58) **Field of Classification Search** D14/300, D14/301, 308, 314, 356, 363, 368, 129; D13/162, D13/184, 199; 312/223.1–223.3, 329; 360/99.01–99.12; 361/680–686, 690–696; 369/34.01, 36.01
See application file for complete search history.

(56) **References Cited**

U.S. PATENT DOCUMENTS

4,319,794 A	*	3/1982	Bachor	312/329
D311,177 S	*	10/1990	Peters, III	D14/308
D341,827 S	*	11/1993	Lai et al.	D14/308
D458,911 S	*	6/2002	Kataoka	D14/129

* cited by examiner

Primary Examiner—Freda S. Nunn

(74) *Attorney, Agent, or Firm*—John Smith-Hill; Smith-Hill and Bedell

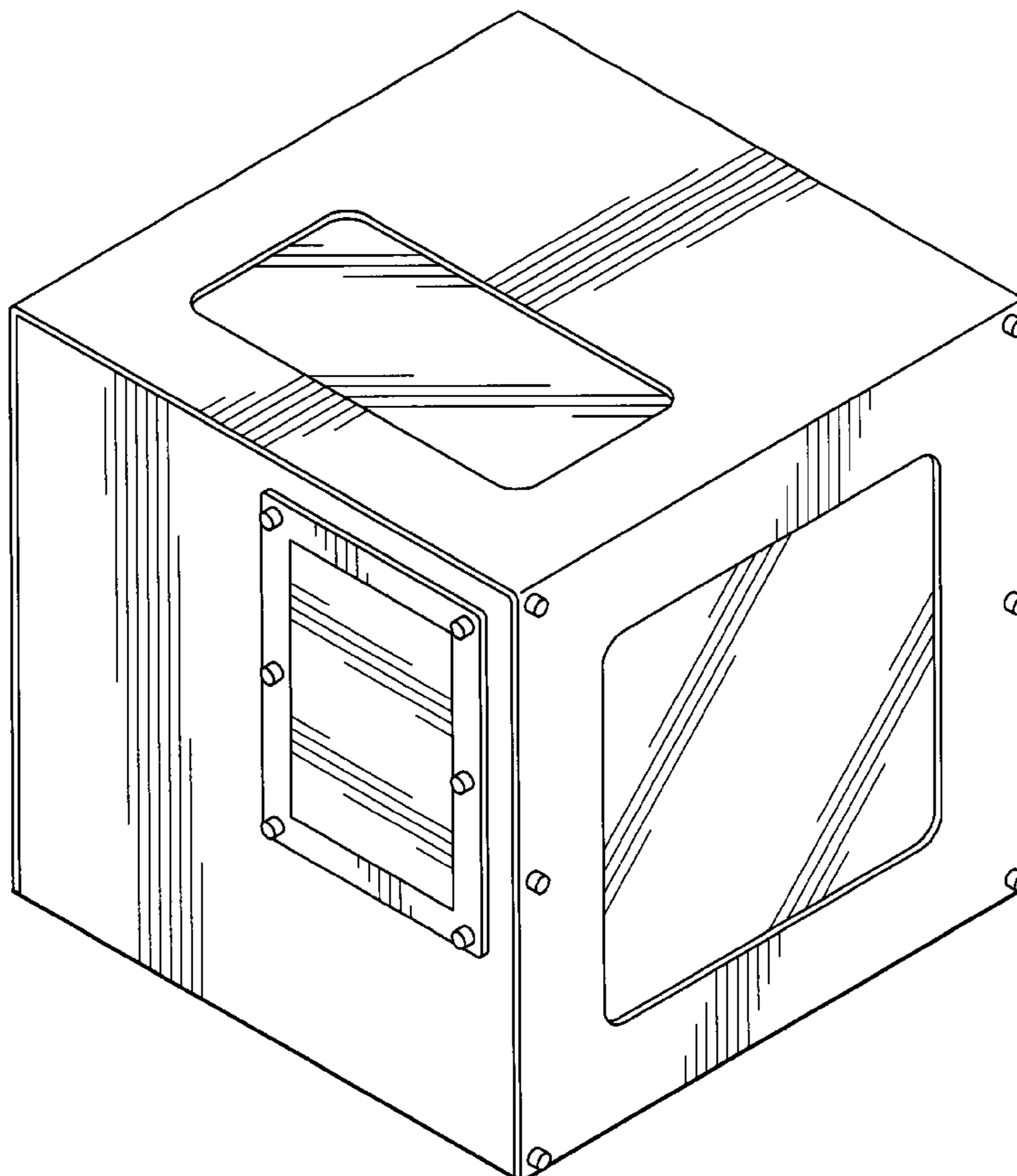
(57) **CLAIM**

The ornamental design for a computer housing, as shown and described.

DESCRIPTION

FIG. 1 is a perspective view of a computer housing showing my new design, and shows the front, top and left side, the bottom of the housing being plain and unornamented, FIG. 2 is a top plan view thereof, FIG. 3 is a front elevation thereof, FIG. 4 is a left side elevation thereof, the right side elevation being a mirror image of the left side, FIG. 5 is a rear elevation thereof, FIG. 6 is a perspective view similar to FIG. 1 of a second computer housing showing my new design, the right side elevation, front elevation and rear elevation being the same as the corresponding views of the computer housing shown in FIG. 1 and the bottom being plain and unornamented, FIG. 7 is a perspective view similar to FIG. 1 of a third computer housing showing my new design, the right side elevation, front elevation and rear elevation being the same as the corresponding views of the computer housing shown in FIG. 1 and the bottom being plain and unornamented; and, FIG. 8 is a perspective view similar to FIG. 1 of a fourth computer housing showing my new design, the right side elevation, front elevation and rear elevation being the same as the corresponding views of the computer housing shown in FIG. 1 and the bottom being plain and unornamented.

1 Claim, 6 Drawing Sheets



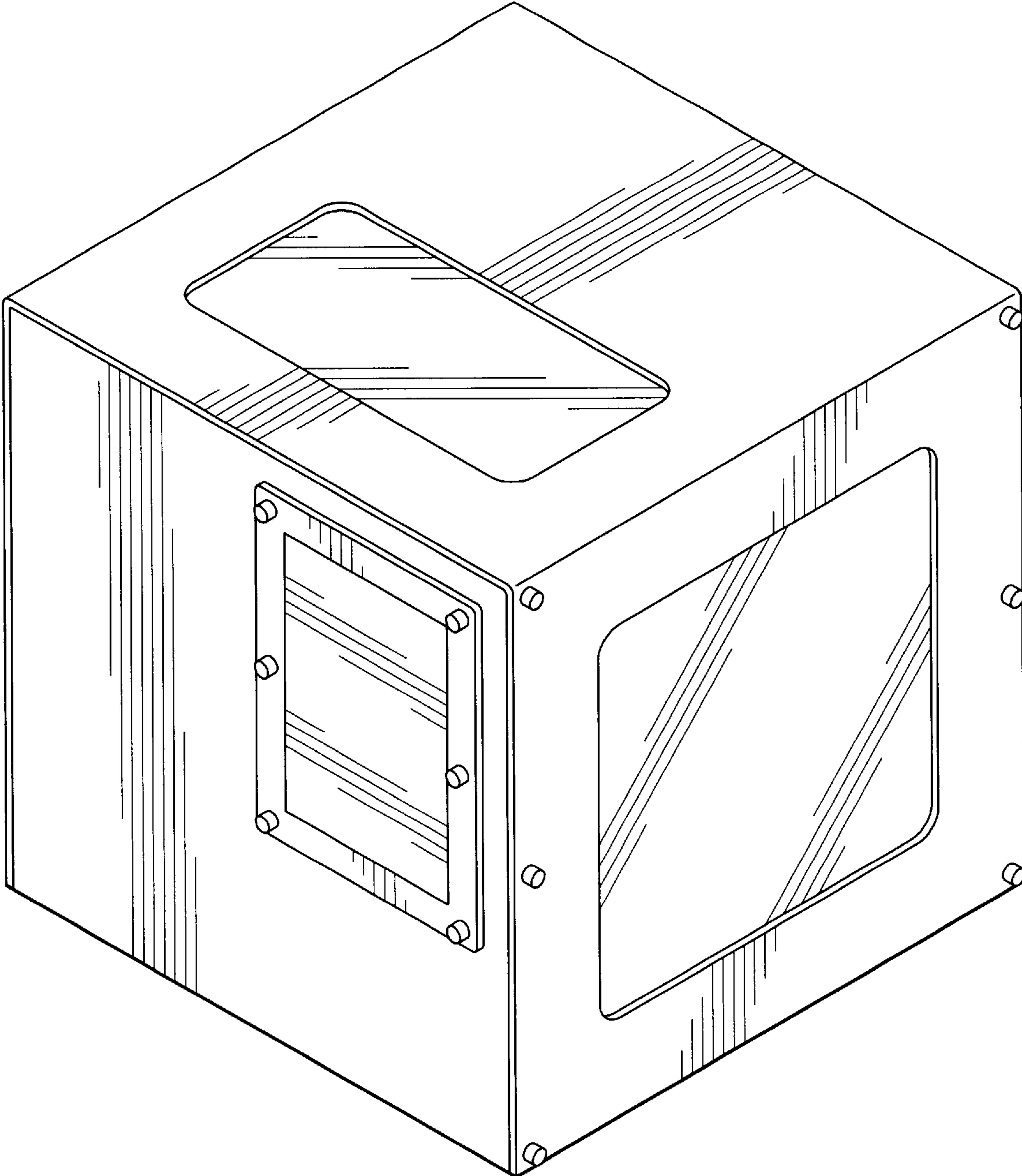


FIG.1

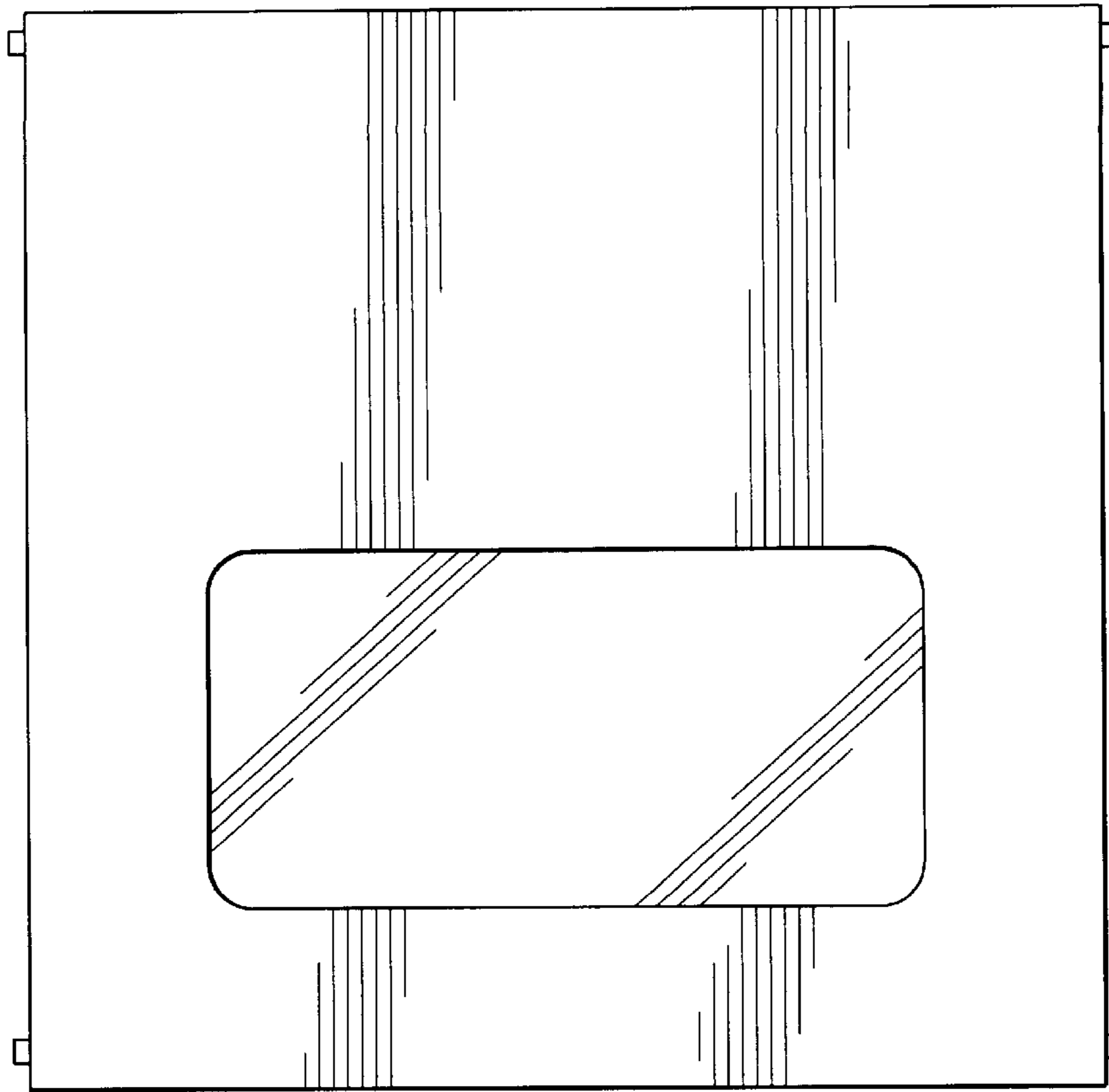


FIG. 2

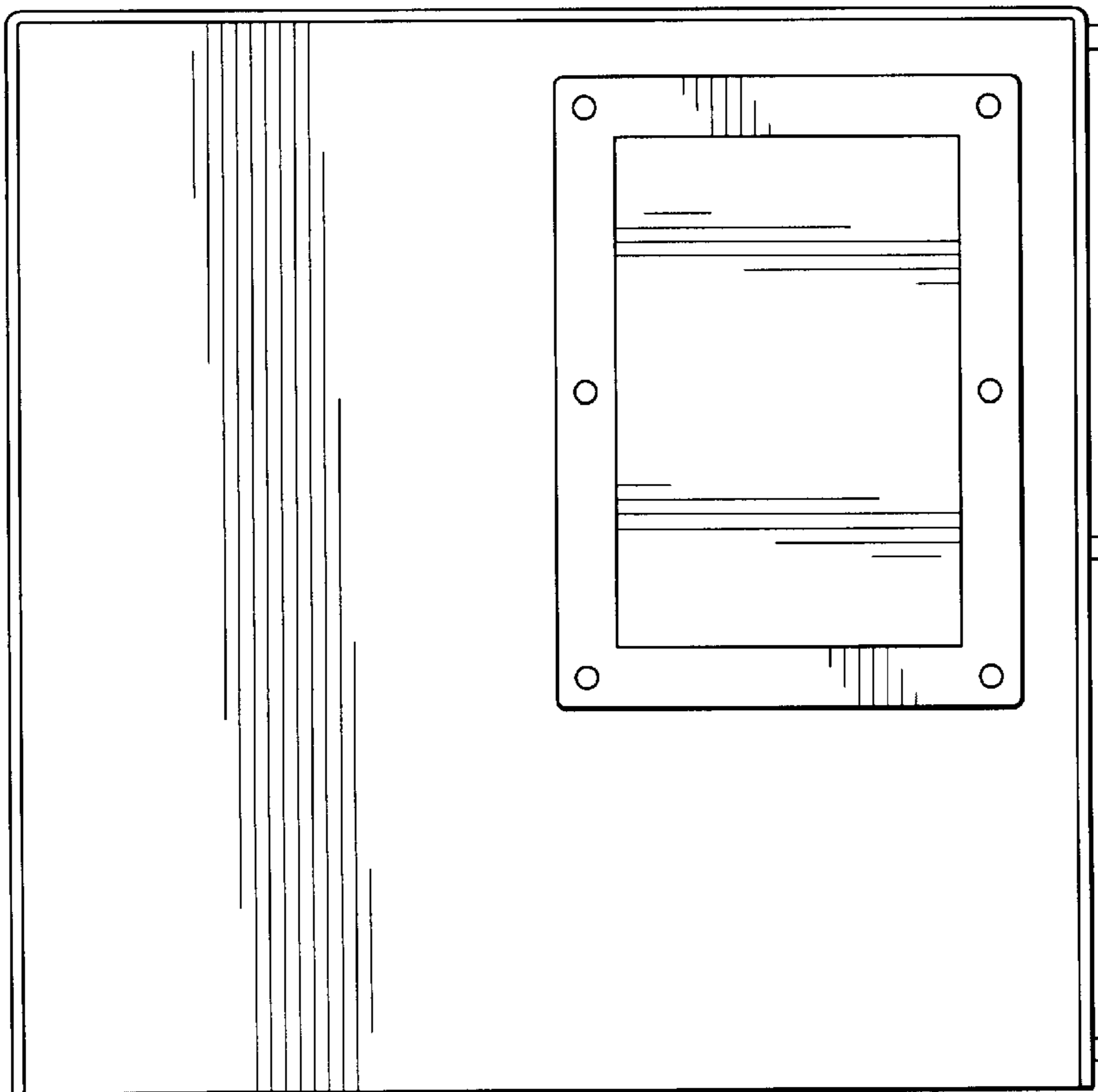


FIG. 3

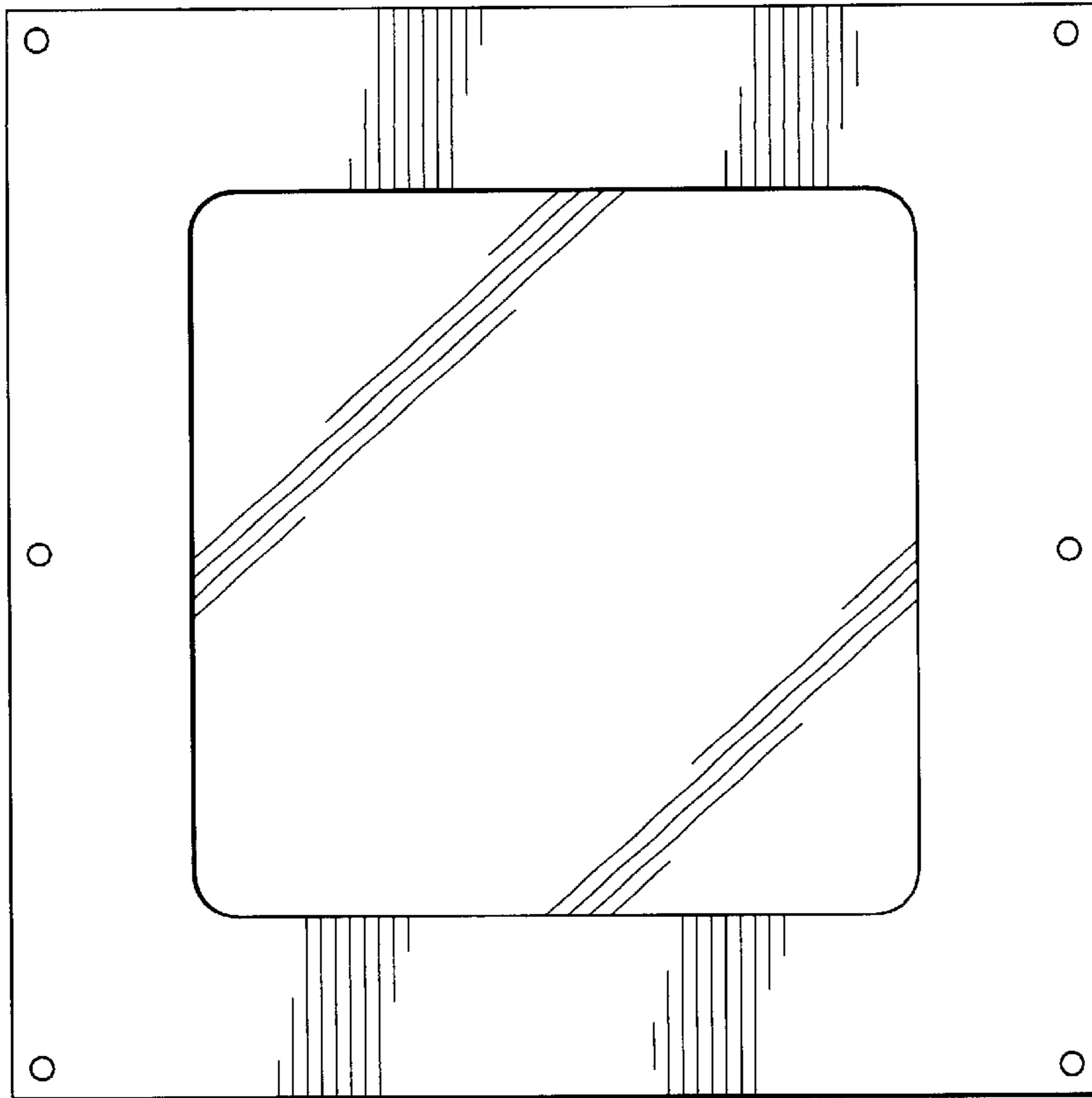


FIG.4

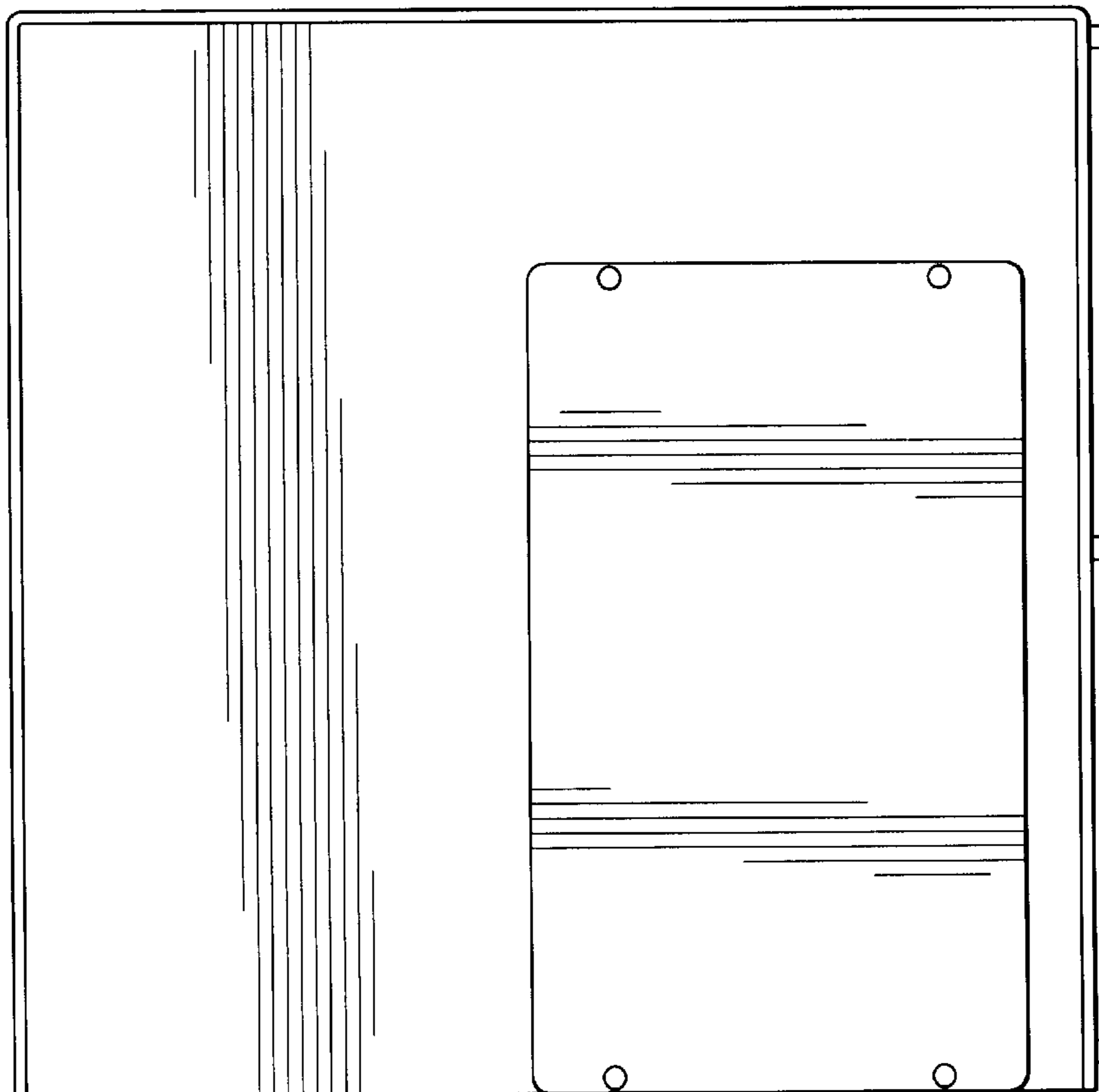


FIG.5

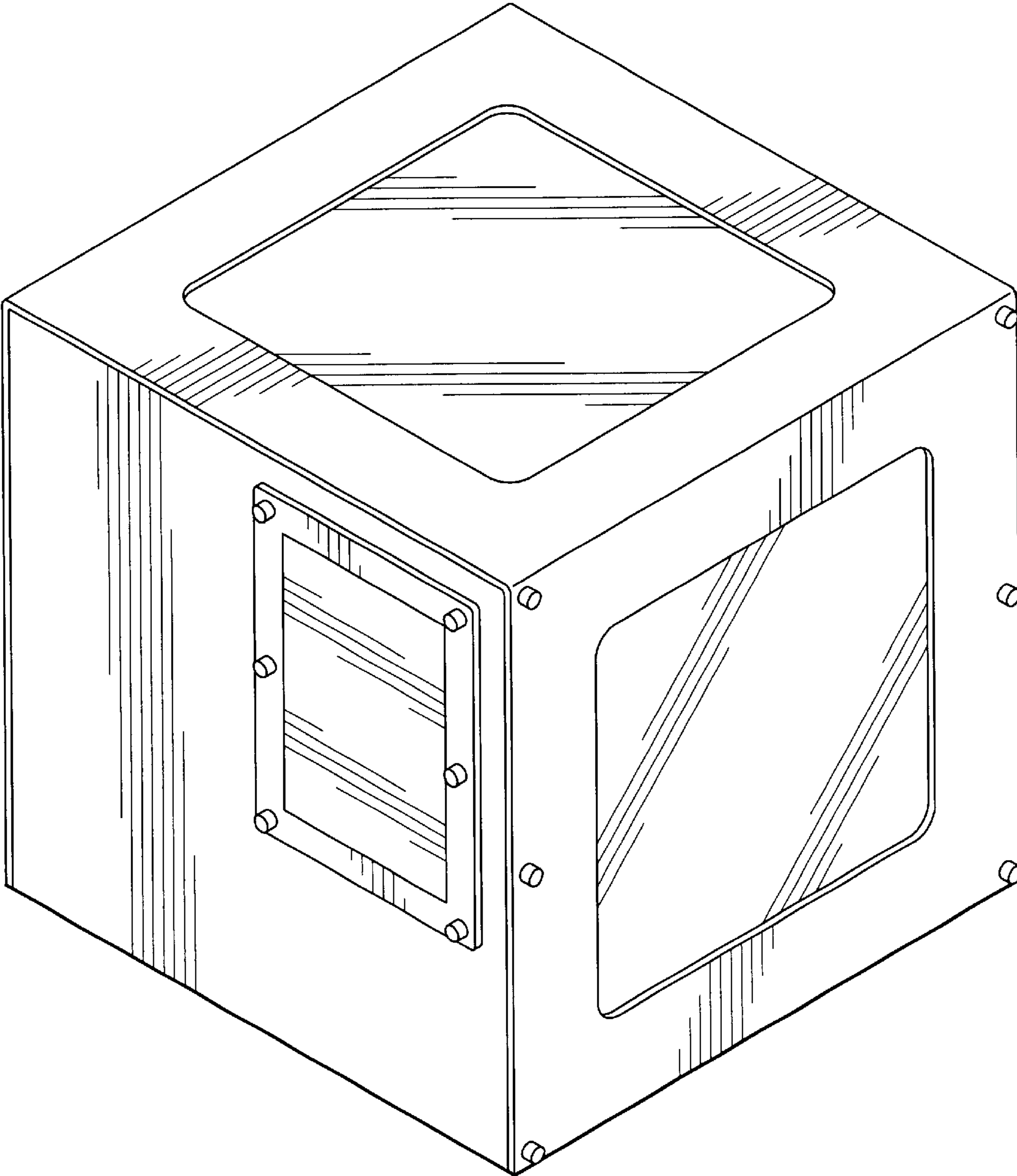


FIG.6

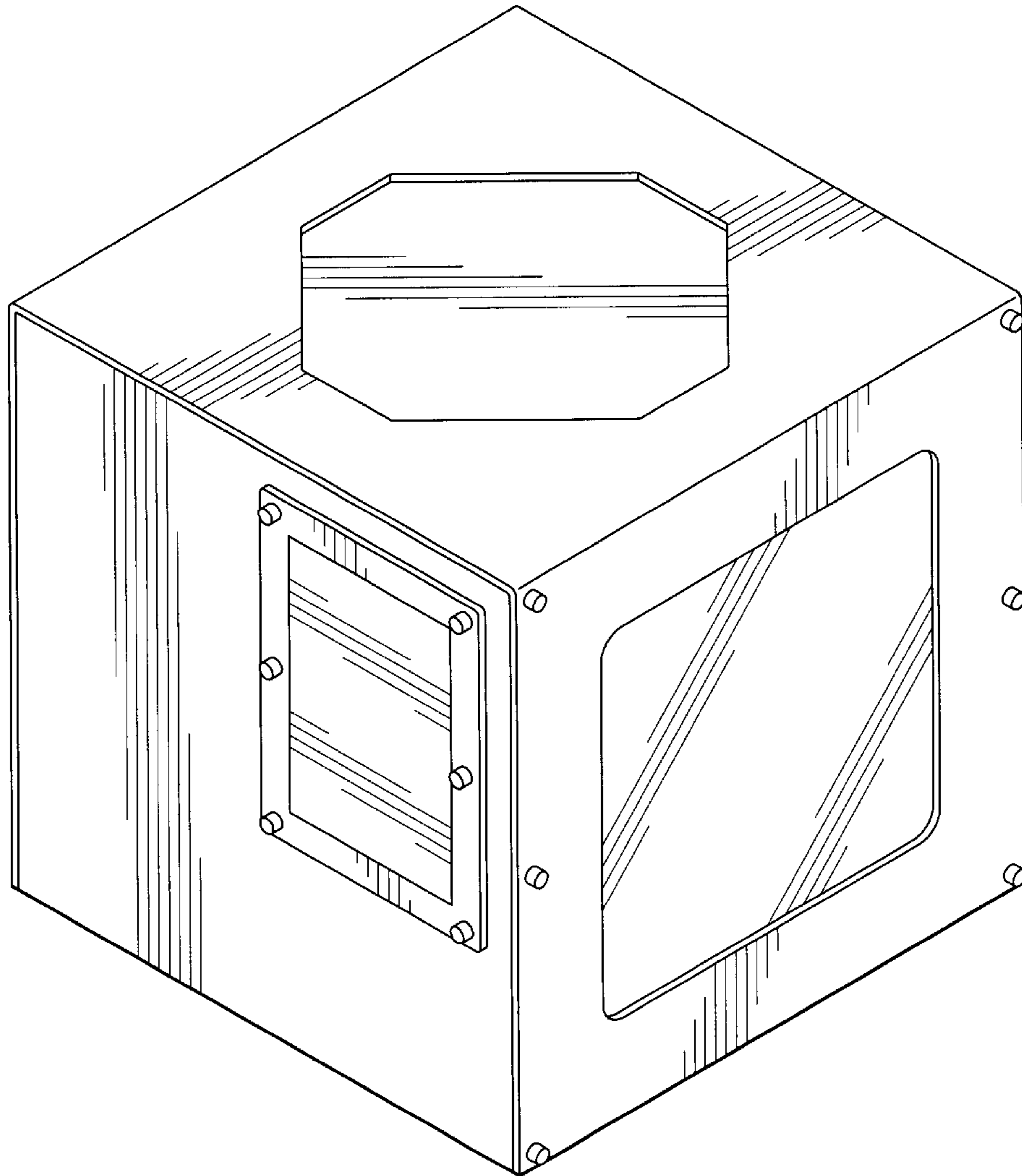


FIG.7

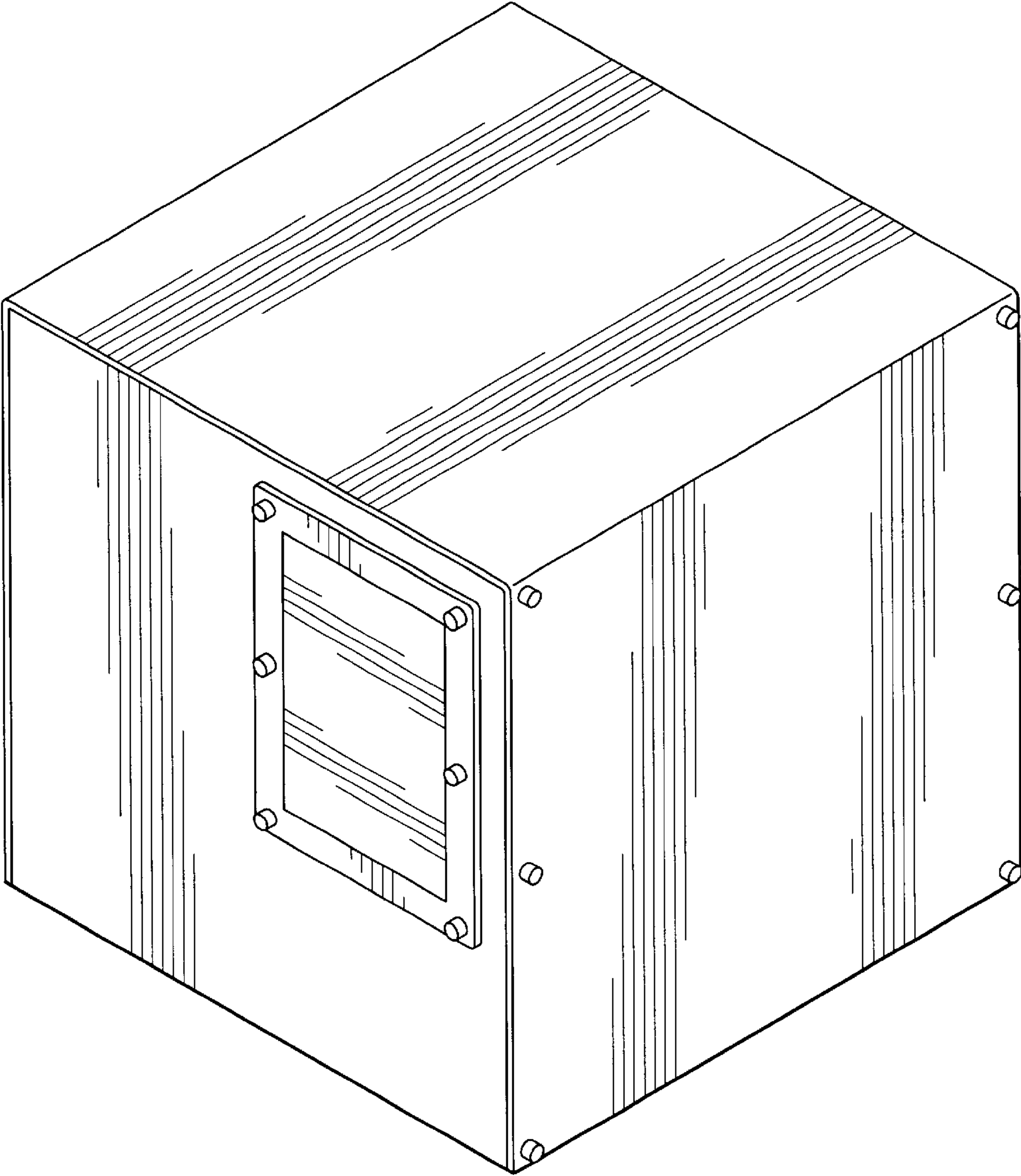


FIG.8