



US00D514552S

(12) **United States Design Patent**
Lee et al.

(10) **Patent No.:** **US D514,552 S**
(45) **Date of Patent:** **** Feb. 7, 2006**

(54) **COMBINED EAR PHONE AND MOBILE APPARATUS**

(75) Inventors: **Ja-Youn Lee**, Seoul (KR); **Jong-Seong Lee**, Seoul (KR); **Beom-Ku Han**, Seoul (KR)

(73) Assignee: **Samsung Electronics Co., Ltd.** (KR)

(**) Term: **14 Years**

(21) Appl. No.: **29/217,199**

(22) Filed: **Nov. 15, 2004**

(30) **Foreign Application Priority Data**

May 25, 2004 (KR) 30-2004-0015351

(51) **LOC (8) Cl.** **14-01**

(52) **U.S. Cl.** **D14/223; D14/205**

(58) **Field of Classification Search** D14/188, D14/192, 137, 142, 155, 240, 205, 206, 223, D14/218; 181/128-130; 379/420.04, 419, 379/430, 431; 381/381, 375; D13/133; D2/600, D2/607; D11/1-2

See application file for complete search history.

(56) **References Cited**

U.S. PATENT DOCUMENTS

2,933,145 A * 4/1960 Di Mattia 181/135
3,588,384 A * 6/1971 Negley 381/375
4,646,872 A * 3/1987 Kamon et al. 181/129
D334,043 S * 3/1993 Taniguchi et al. D14/218
6,122,369 A * 9/2000 Hwang et al. 379/420.04

D457,514 S * 5/2002 Marion et al. D14/223
D464,945 S * 10/2002 Bosch D14/206
D467,240 S * 12/2002 Ruohonen D14/223
D469,753 S * 2/2003 Andre et al. D14/205

* cited by examiner

Primary Examiner—Paula A. Greene

(74) *Attorney, Agent, or Firm*—Cantor Colburn LLP

(57) **CLAIM**

We claim, the ornamental design for a combined ear phone and mobile apparatus, as shown and described.

DESCRIPTION

FIG. 1 is a top and front perspective view of the ear phone of the combined ear phone and mobile apparatus showing our new design; the ear phone is shown separately for purposes of illustration;

FIG. 2 is a front elevational view thereof;

FIG. 3 is a rear elevational view thereof;

FIG. 4 is a left side elevational view thereof;

FIG. 5 is a right side elevational view thereof;

FIG. 6 is a top elevational view thereof;

FIG. 7 is a bottom elevational view thereof;

FIG. 8 is a front perspective view thereof, showing the combined ear phone and mobile apparatus in an alternate position; and,

FIG. 9 is a front elevational view of the combined ear phone and mobile apparatus with the cord drawn broken away for indeterminate length; the undisclosed rear is not part of the claimed design.

1 Claim, 4 Drawing Sheets

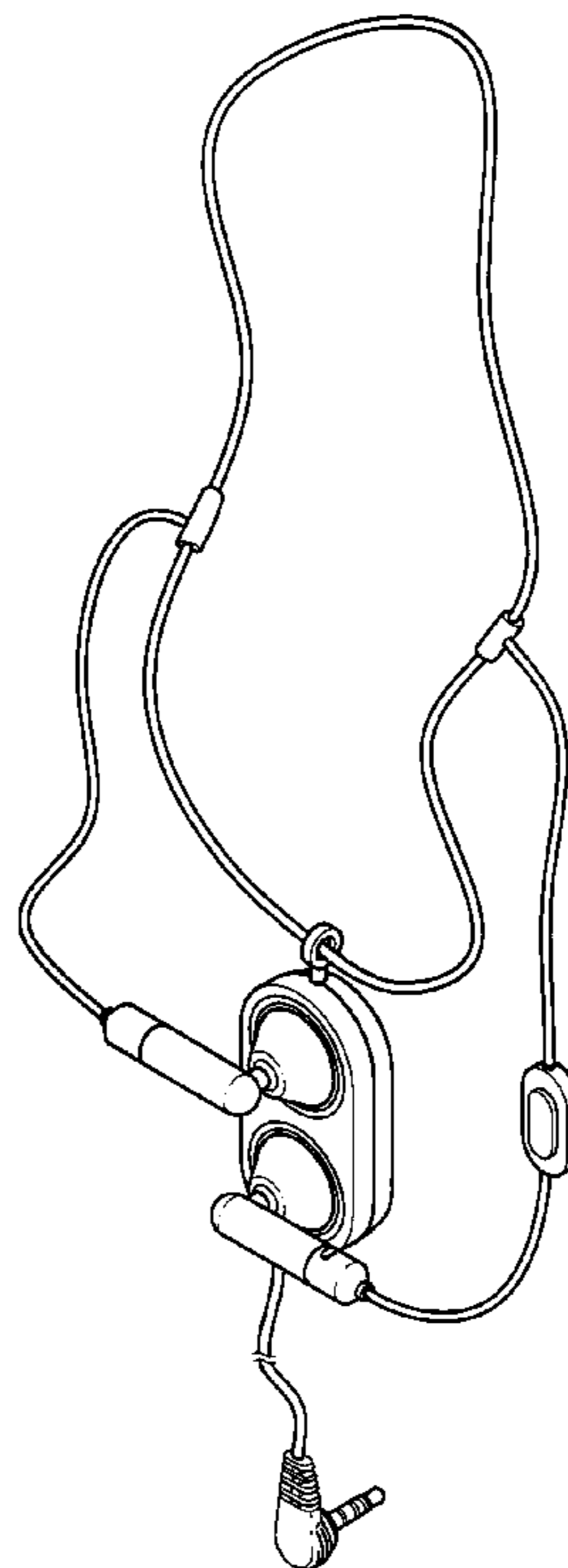
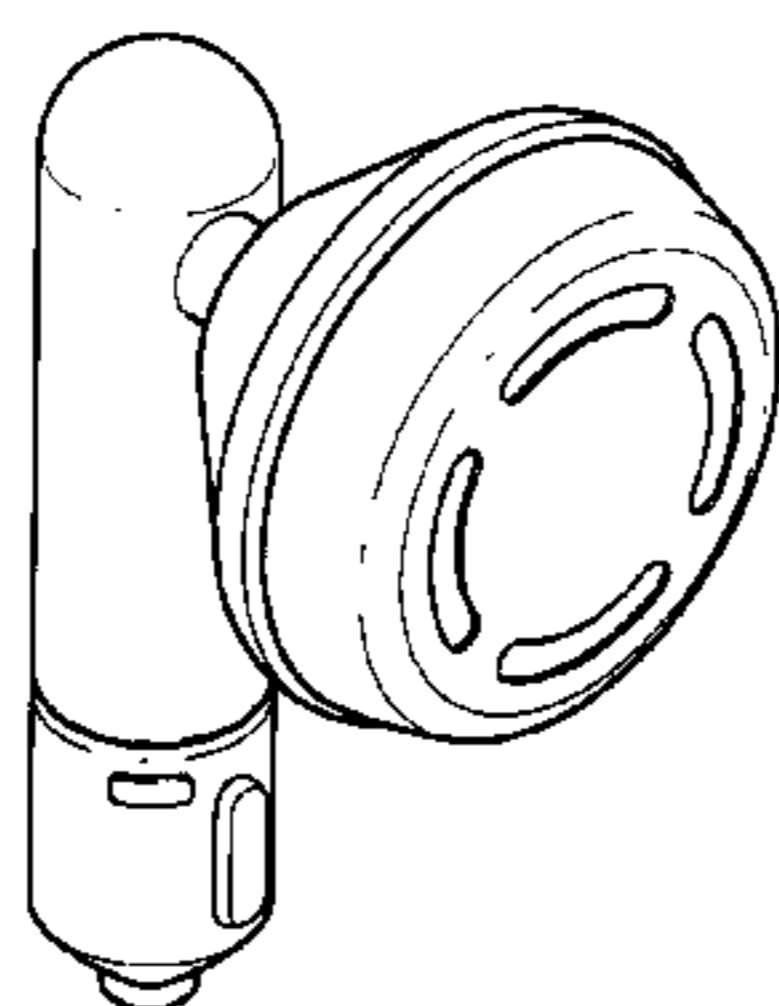


FIG. 1

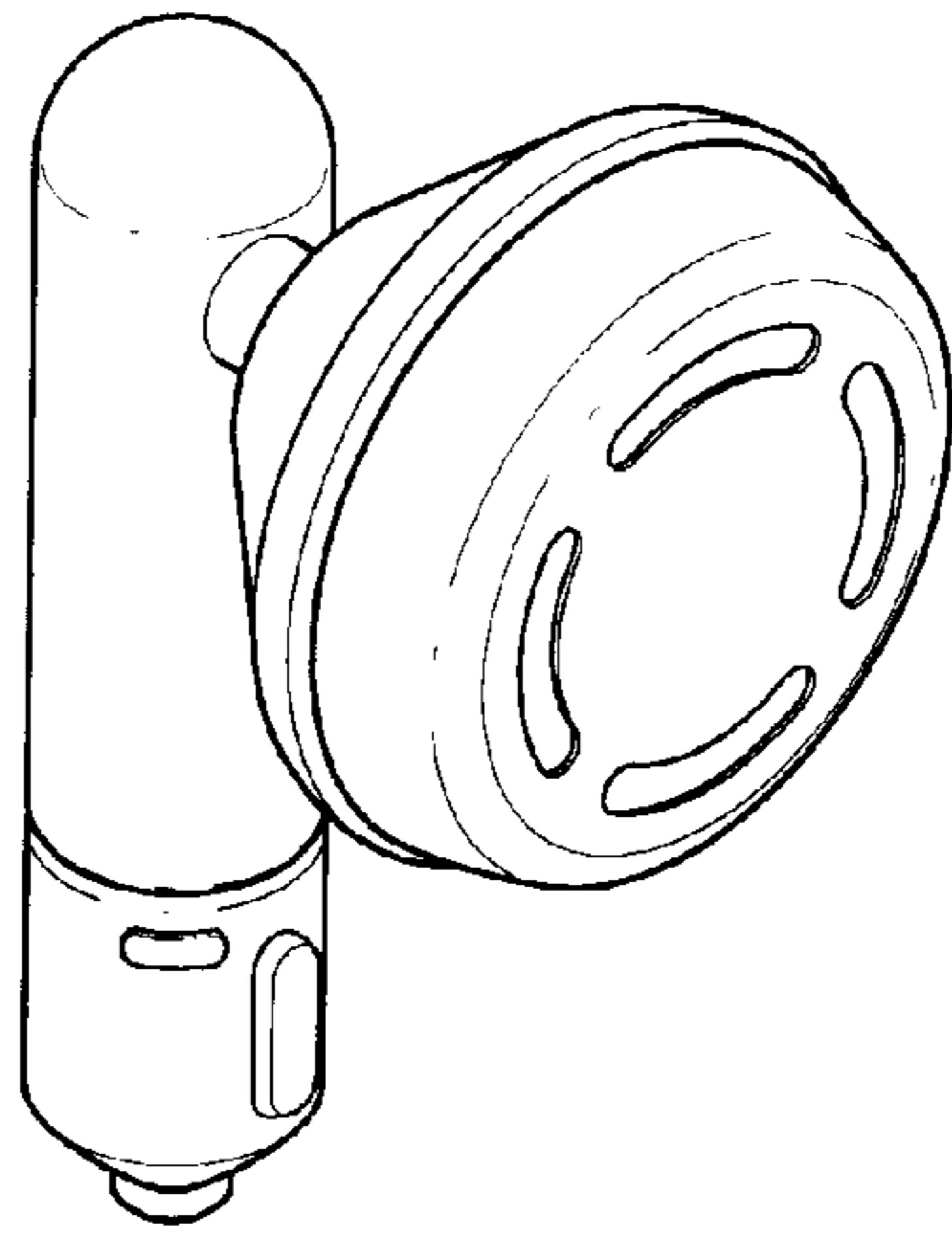


FIG. 2

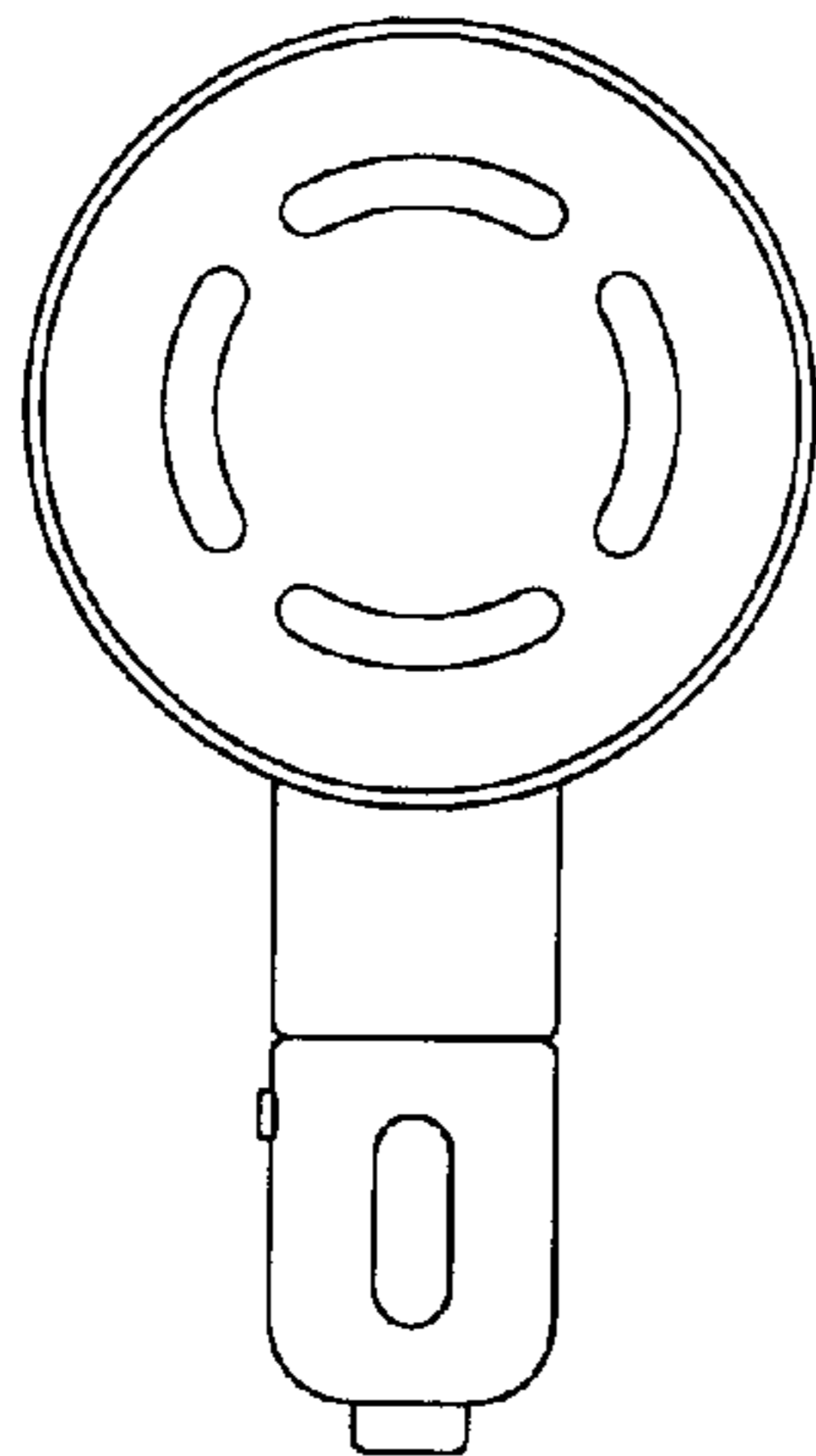


FIG. 3

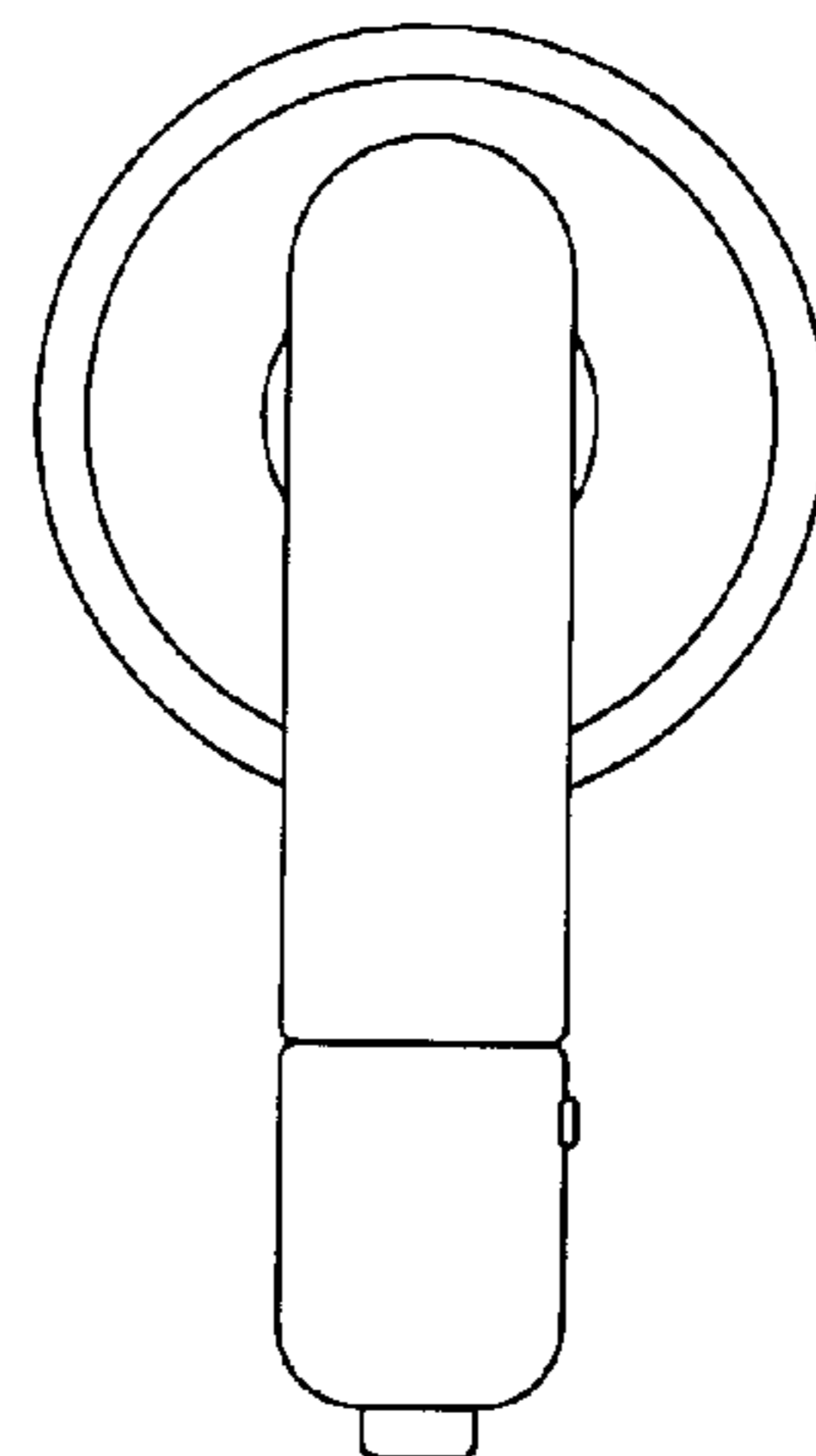


FIG. 4

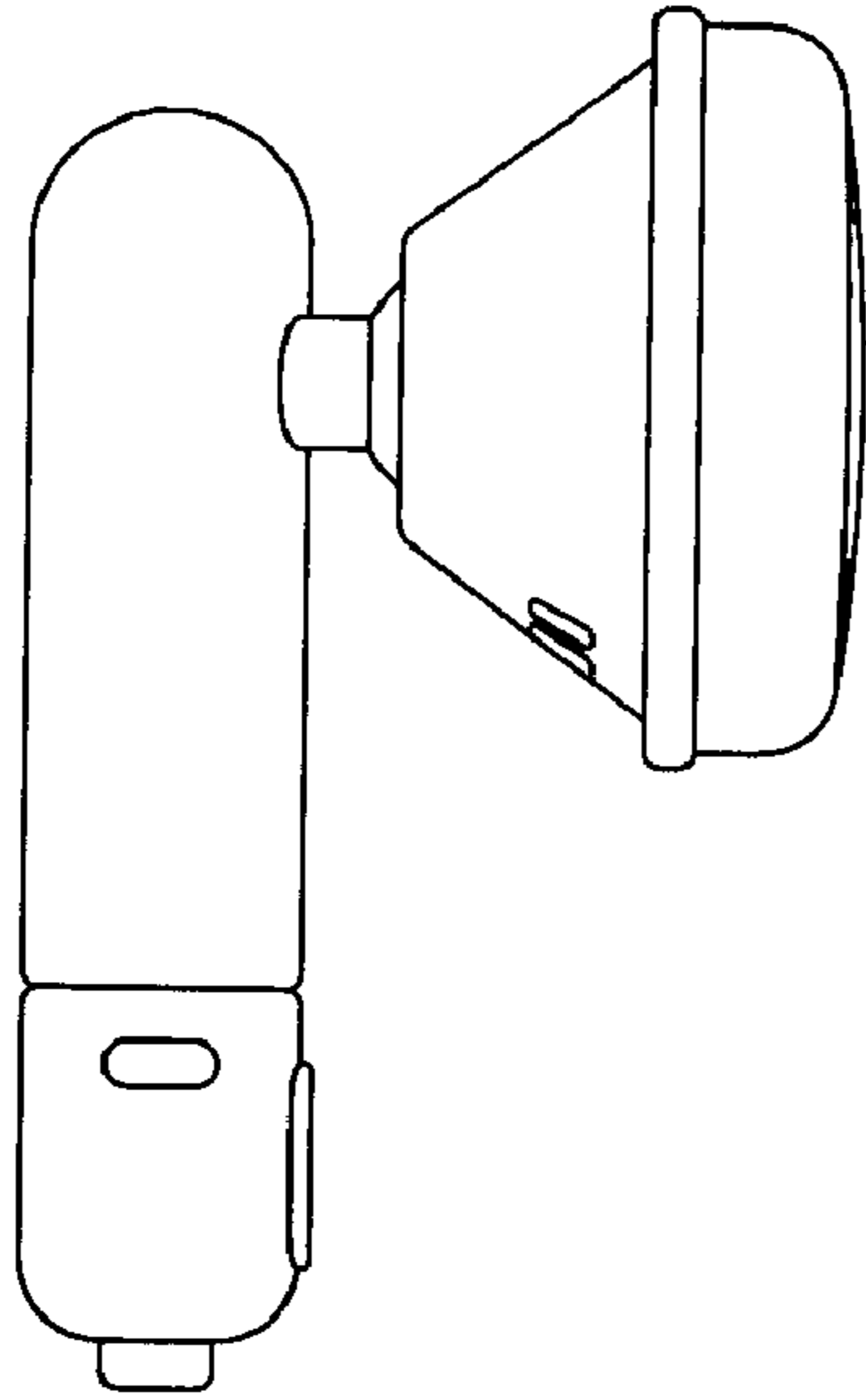


FIG. 5

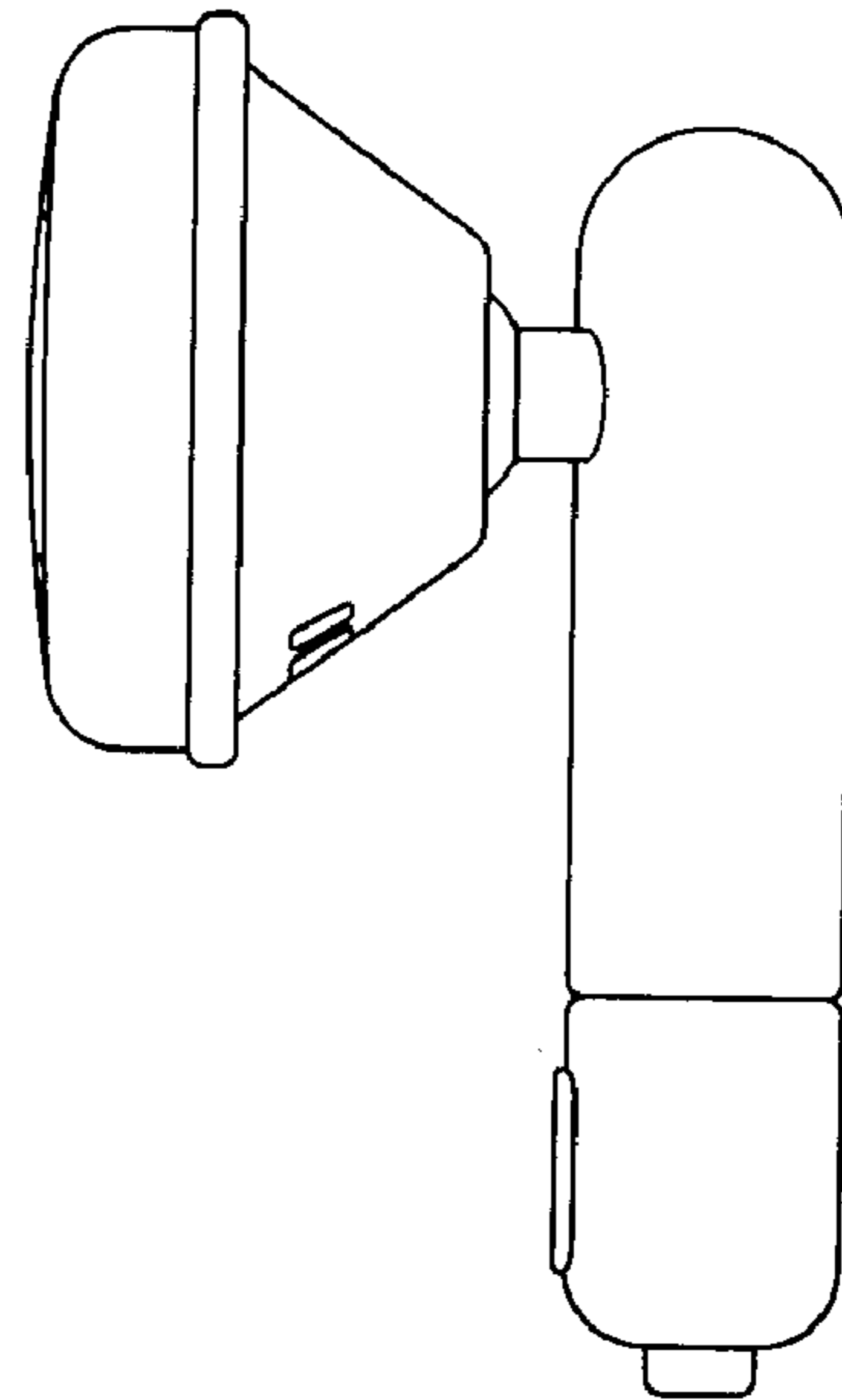


FIG. 6

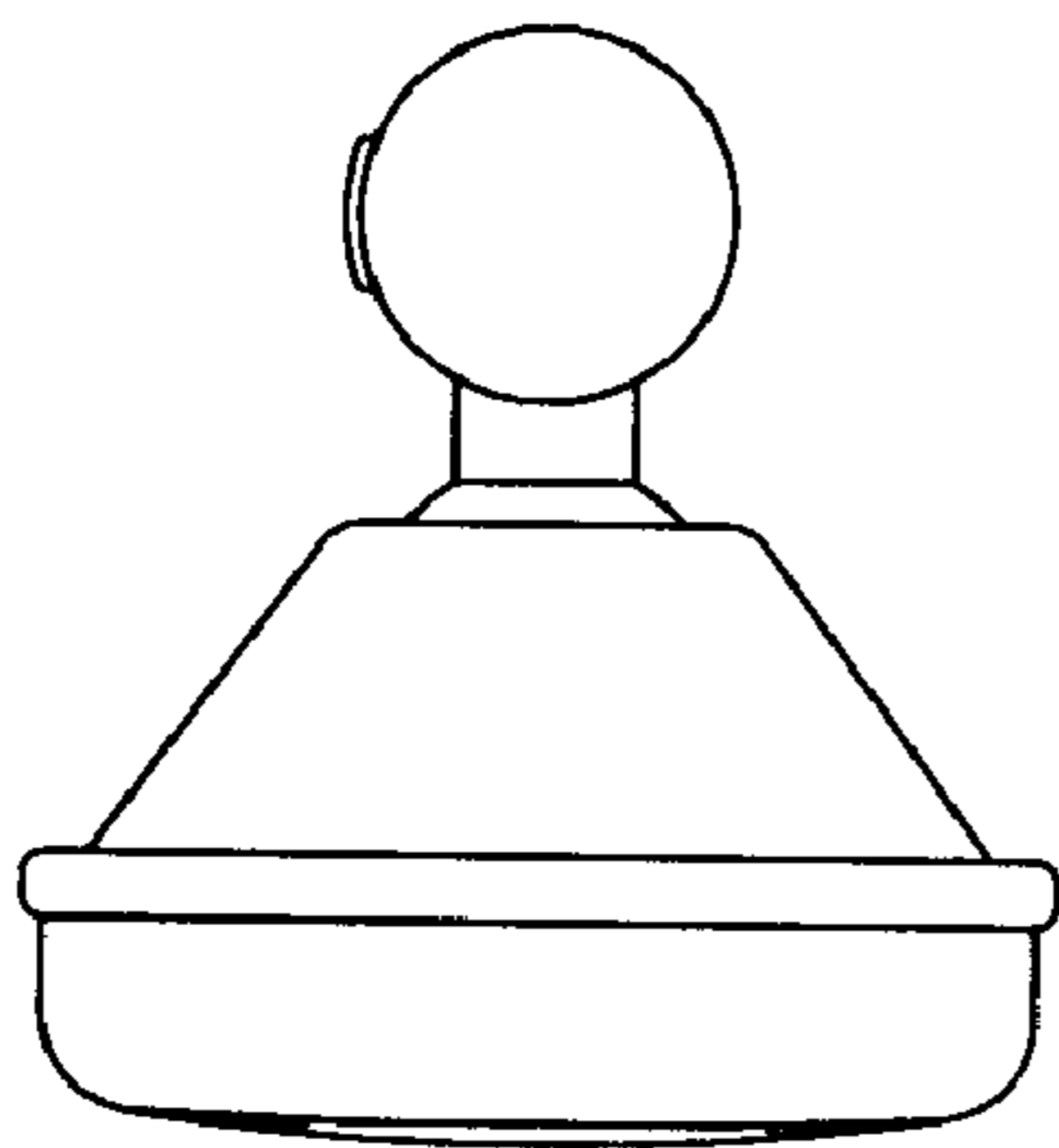


FIG. 7

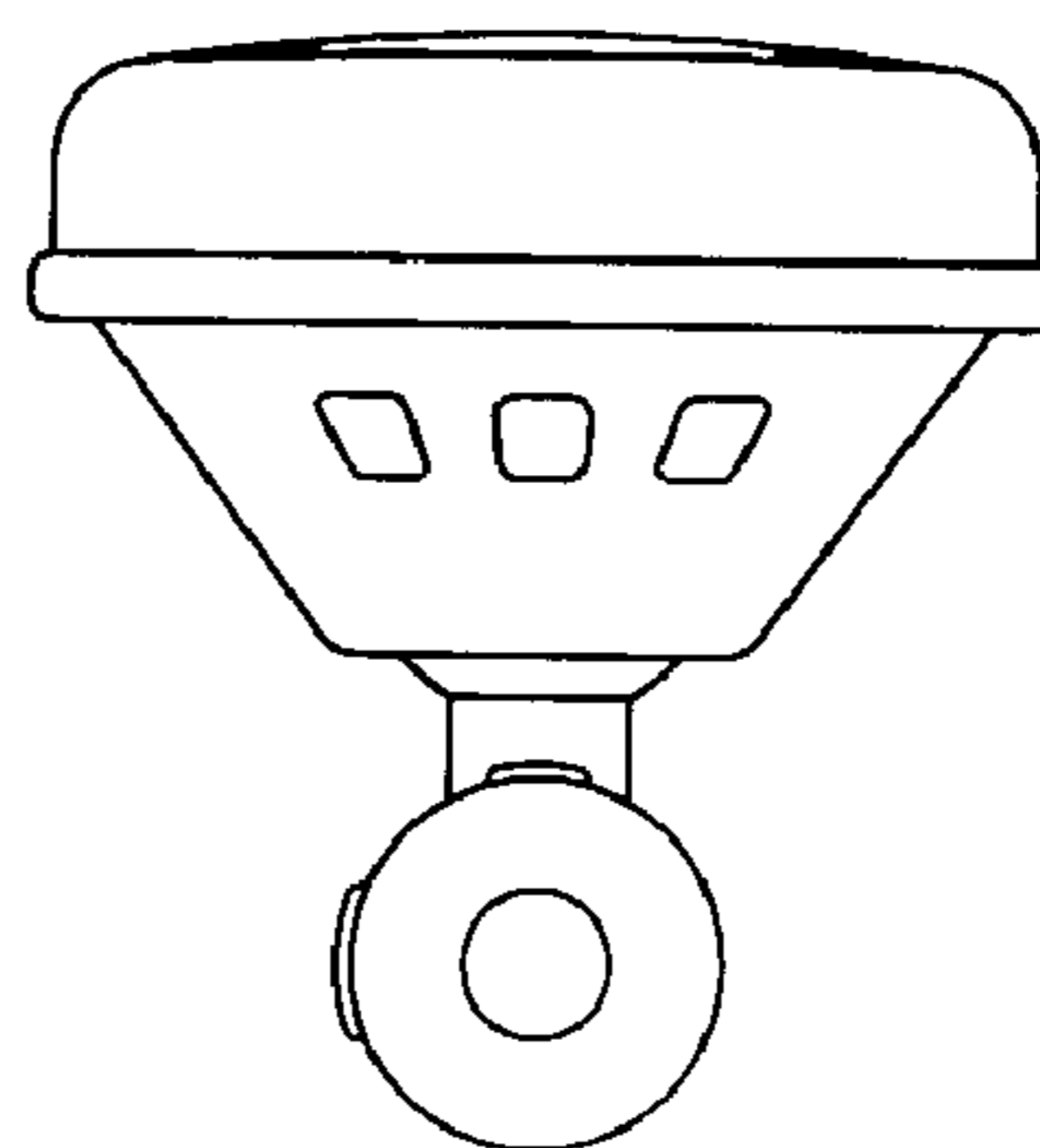


FIG. 8

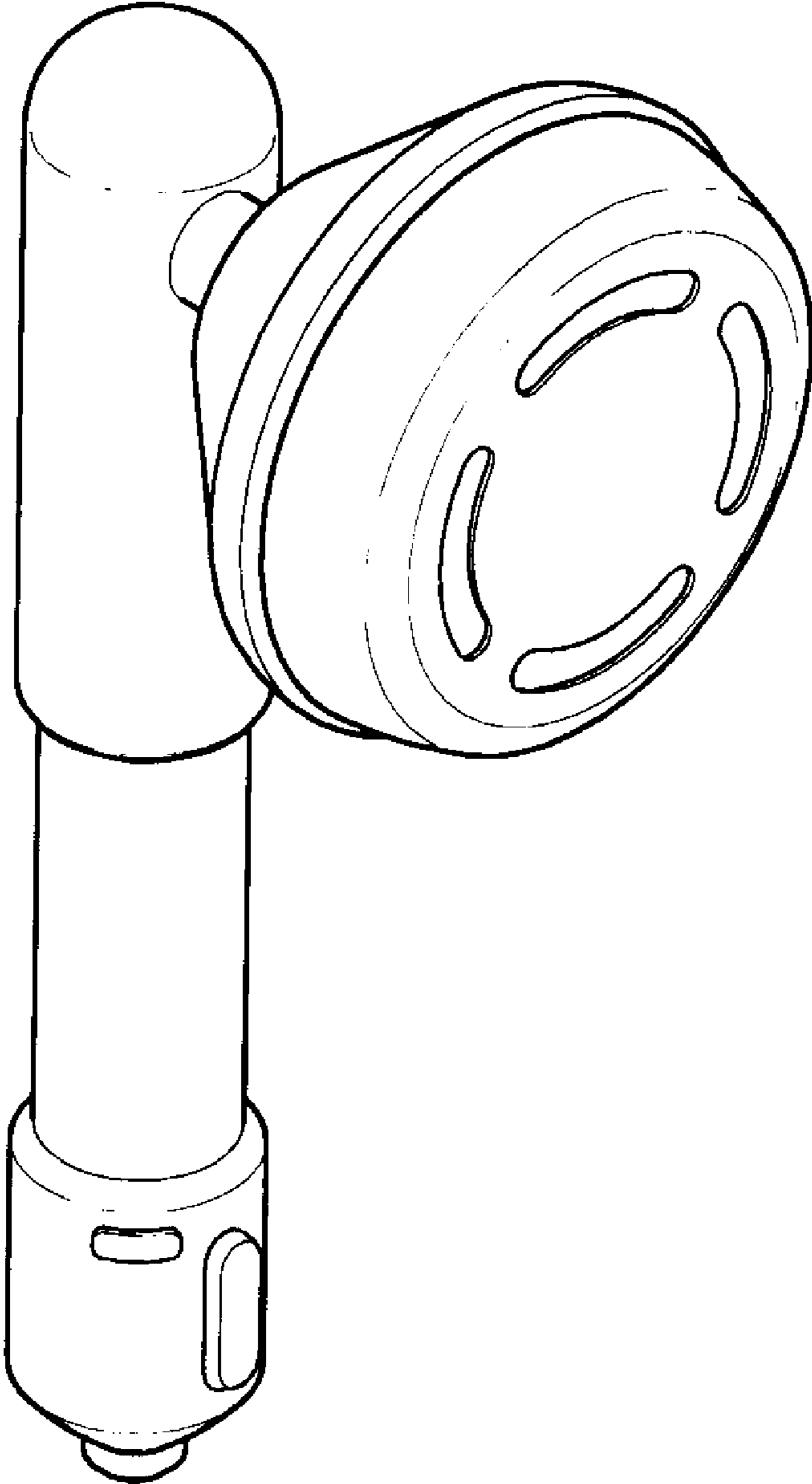


FIG. 9

