



US00D514550S

(12) **United States Design Patent** (10) **Patent No.:** **US D514,550 S**
Hirakawa et al. (45) **Date of Patent:** **** Feb. 7, 2006**

(54) **HEADPHONE**

(75) Inventors: **Maki Hirakawa**, Tokyo (JP); **Michio Deguchi**, Tokyo (JP)

(73) Assignee: **Sony Computer Entertainment Inc.**, Tokyo (JP)

(**) Term: **14 Years**

(21) Appl. No.: **29/216,863**

(22) Filed: **Nov. 10, 2004**

(30) **Foreign Application Priority Data**

May 10, 2004 (JP) D2004-013697

(51) **LOC (8) Cl.** **14-01**

(52) **U.S. Cl.** **D14/223**

(58) **Field of Classification Search** D14/188,
D14/192, 205, 206, 217, 218, 223; D2/866,
D2/877; 2/338; D10/106; D13/168; 24/265 R;
224/178; 428/121; 381/370, 376-381
See application file for complete search history.

(56) **References Cited**

U.S. PATENT DOCUMENTS

- 1,799,868 A * 4/1931 Sauer, Jr. 224/178
- 3,225,408 A * 12/1965 Durham 24/265 R
- D258,433 S * 3/1981 Bulmash et al. D14/192
- D268,675 S * 4/1983 Hass D14/192
- D399,209 S * 10/1998 Yamagishi D14/218
- D464,642 S 10/2002 Kanno
- D466,100 S 11/2002 Obata

FOREIGN PATENT DOCUMENTS

JP D1164092 S 1/2003

* cited by examiner

Primary Examiner—Paula A. Greene
(74) *Attorney, Agent, or Firm*—Rader, Fishman & Grauer PLLC

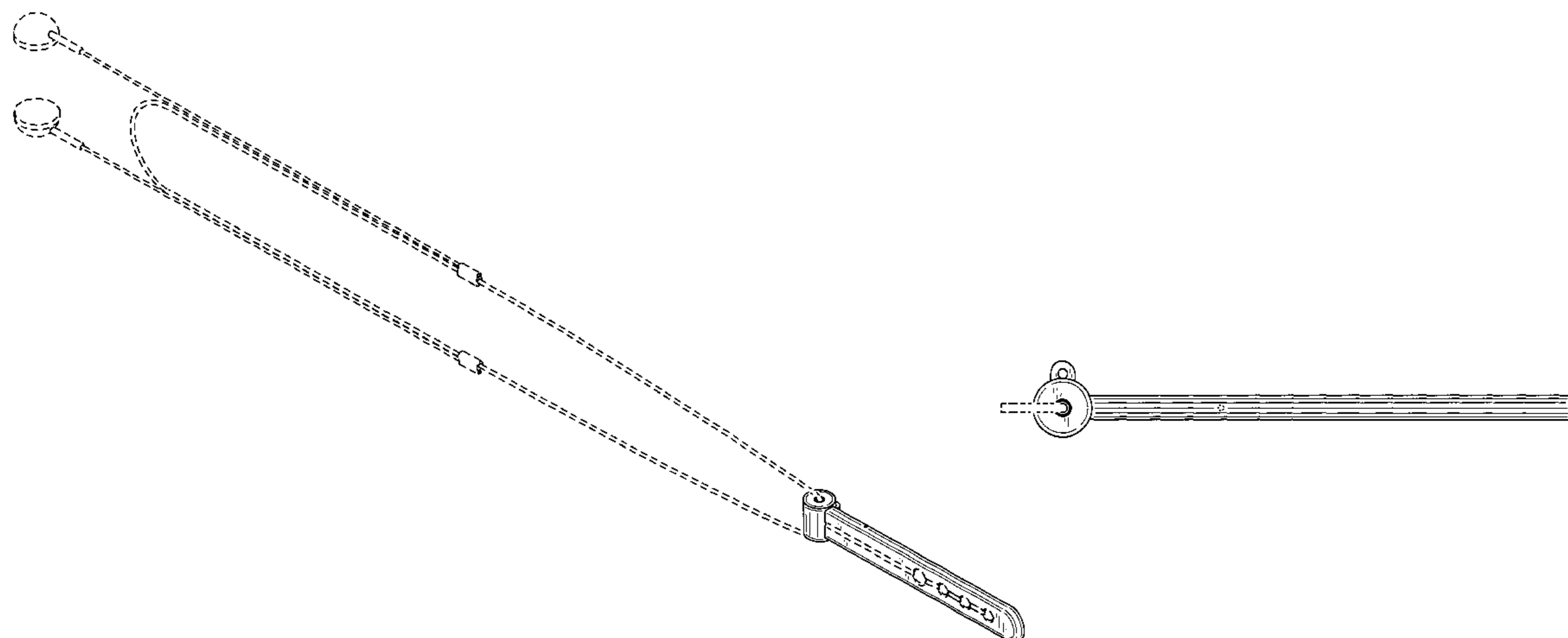
(57) **CLAIM**

The ornamental design for a headphone, as shown and described.

DESCRIPTION

FIG. 1 is a perspective view of a headphone showing our new design;
 FIG. 2 is a front elevational view thereof, showing lines VII—VII and VII'—VII' are shown;
 FIG. 3 is a rear elevational view thereof;
 FIG. 4 is a left side elevational view thereof;
 FIG. 5 is a right side elevational view thereof;
 FIG. 6 is a top plan view thereof, showing lines VIII—VIII and VIII'—VIII', a bottom plan view thereof being a mirror image of the top plan view;
 FIG. 7 is a partially enlarged front elevational view, taken along between the lines VII—VII and VII'—VII' shown in FIG. 2, showing lines X—X and XI—XI;
 FIG. 8 is a partially enlarged top plan view, taken along between the lines VIII—VIII and VIII'—VIII' shown in FIG. 6;
 FIG. 9 is a reduced perspective view, showing a using condition;
 FIG. 10 is a reference enlarged cross sectional view, taken along the line X—X shown in FIG. 7; and,
 FIG. 11 is a reference enlarged cross sectional view, taken along the line XI—XI shown in FIG. 7.
 The broken lines showing of the environment are for illustrative purposes only and form no part of the claimed design.

1 Claim, 6 Drawing Sheets



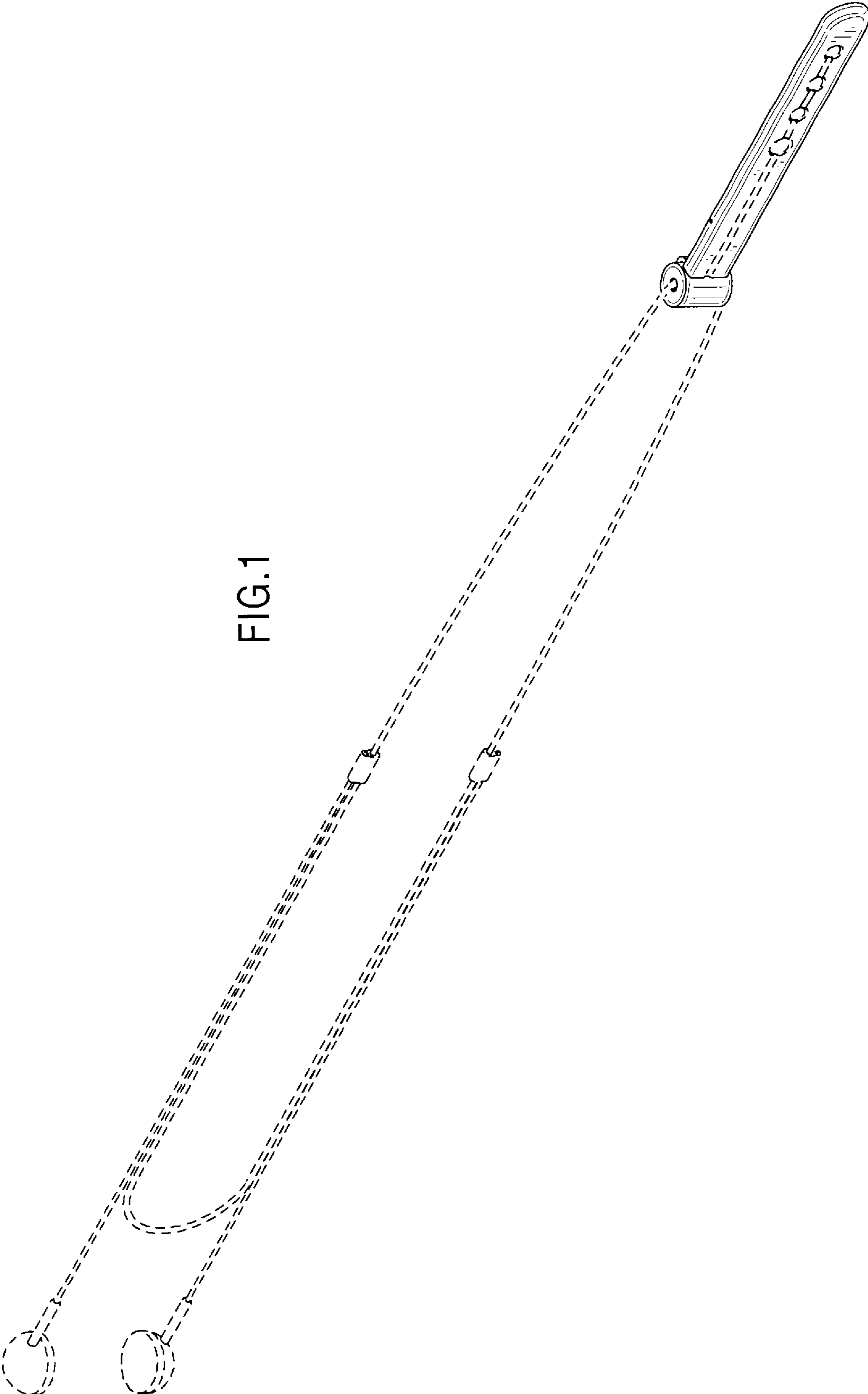


FIG. 1

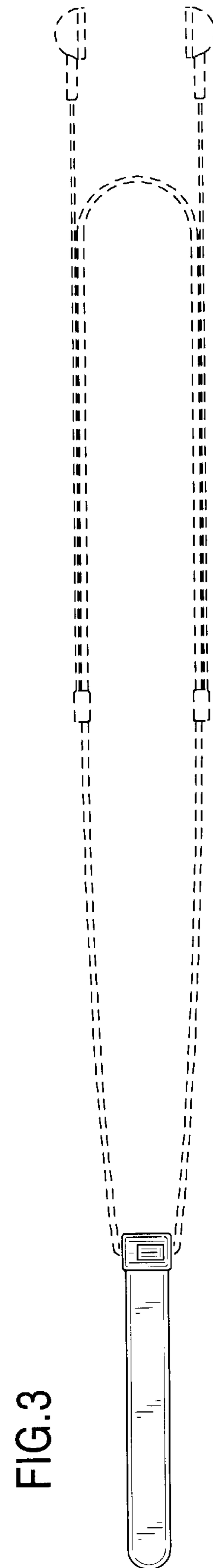
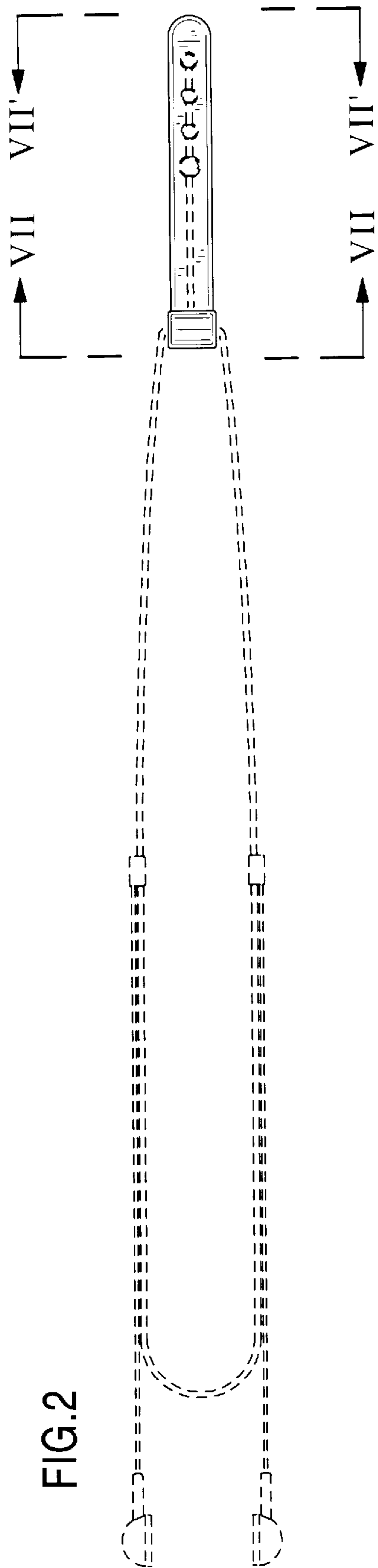


FIG.5

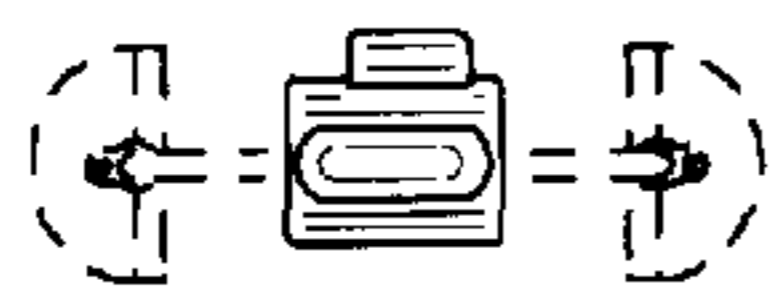


FIG.4

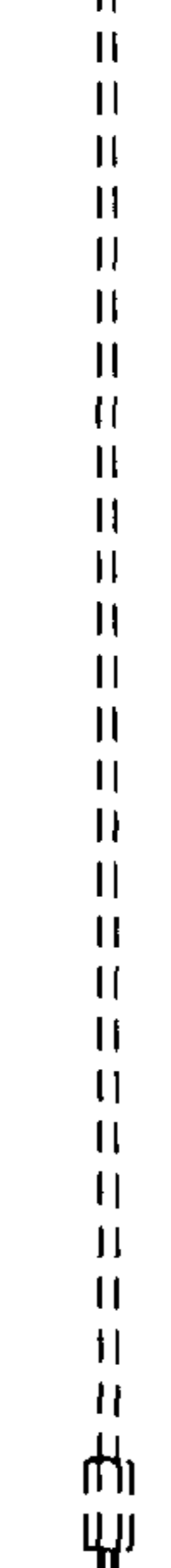
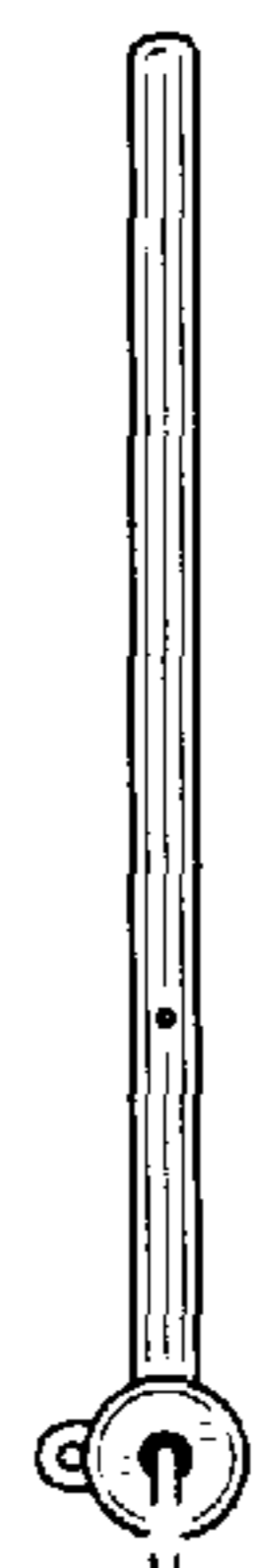
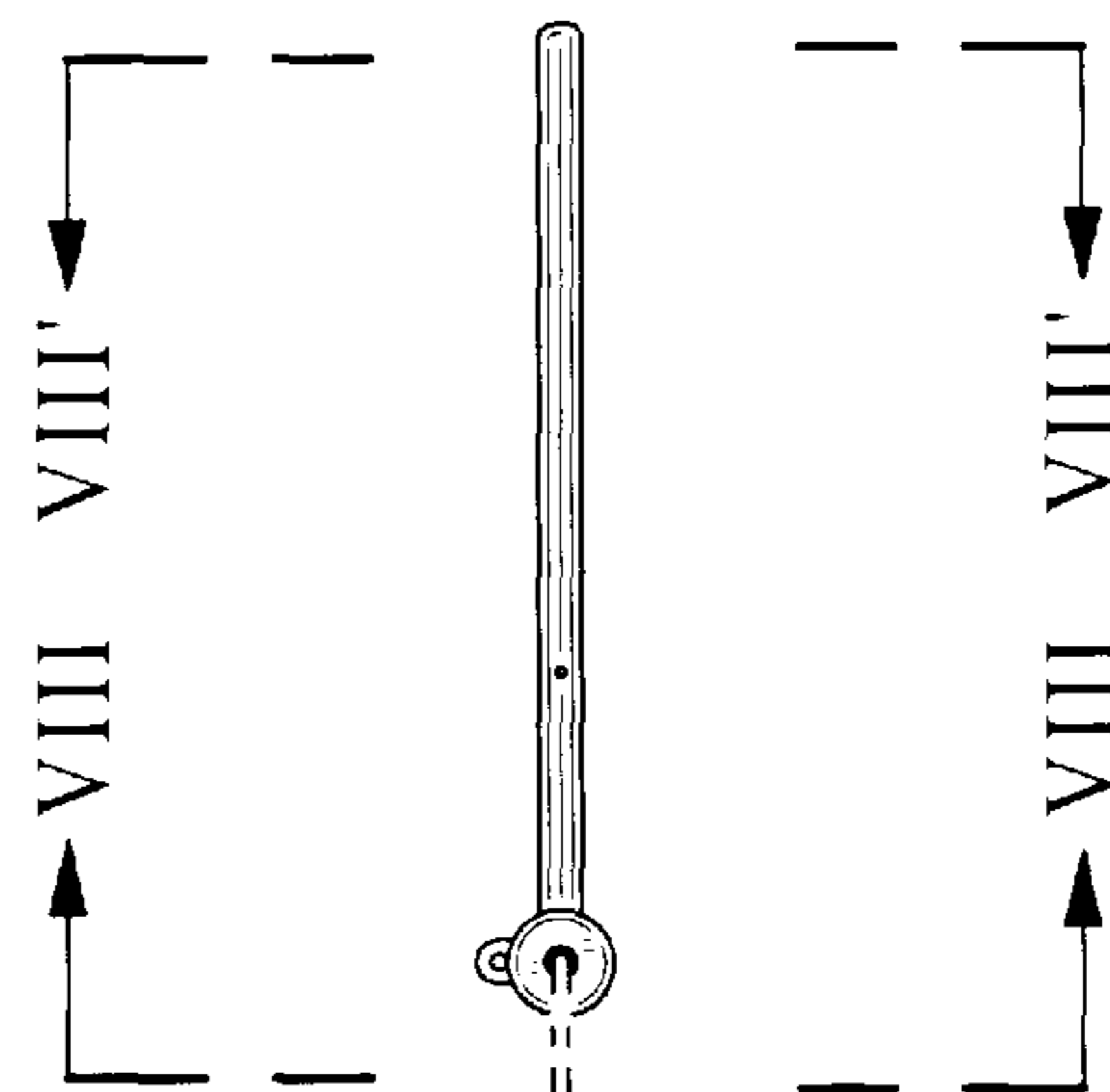


FIG.6

FIG.7

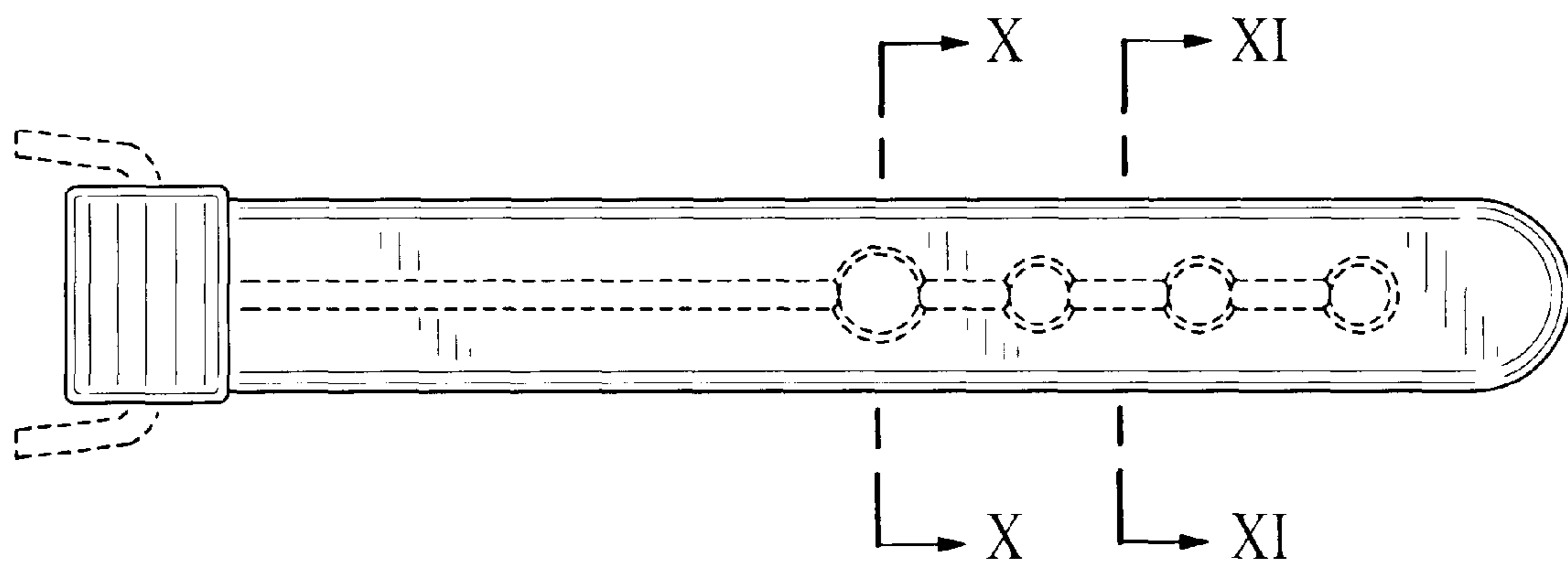
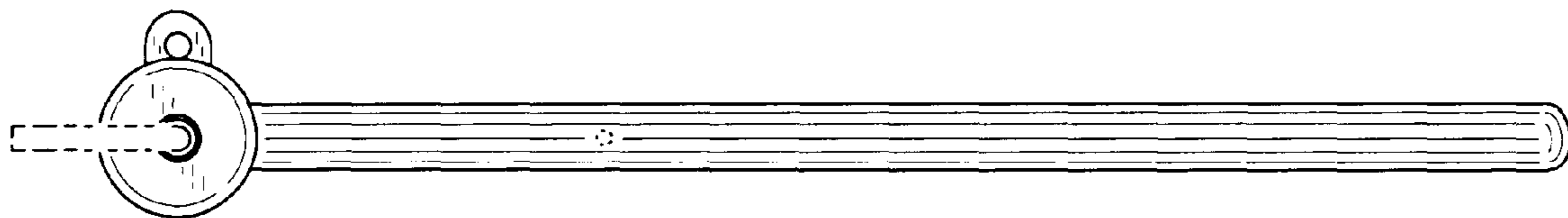


FIG.8



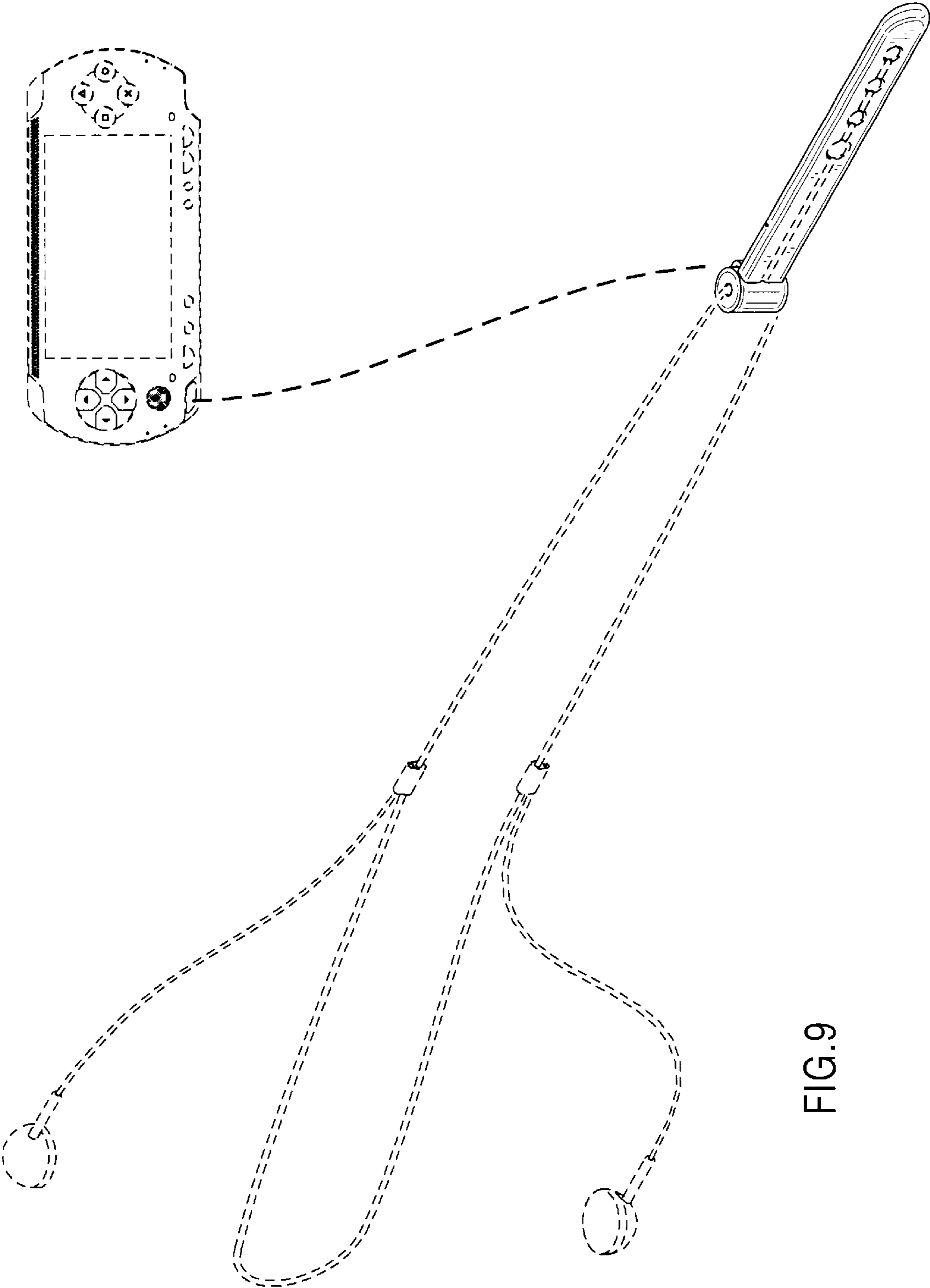


FIG.9

FIG.10

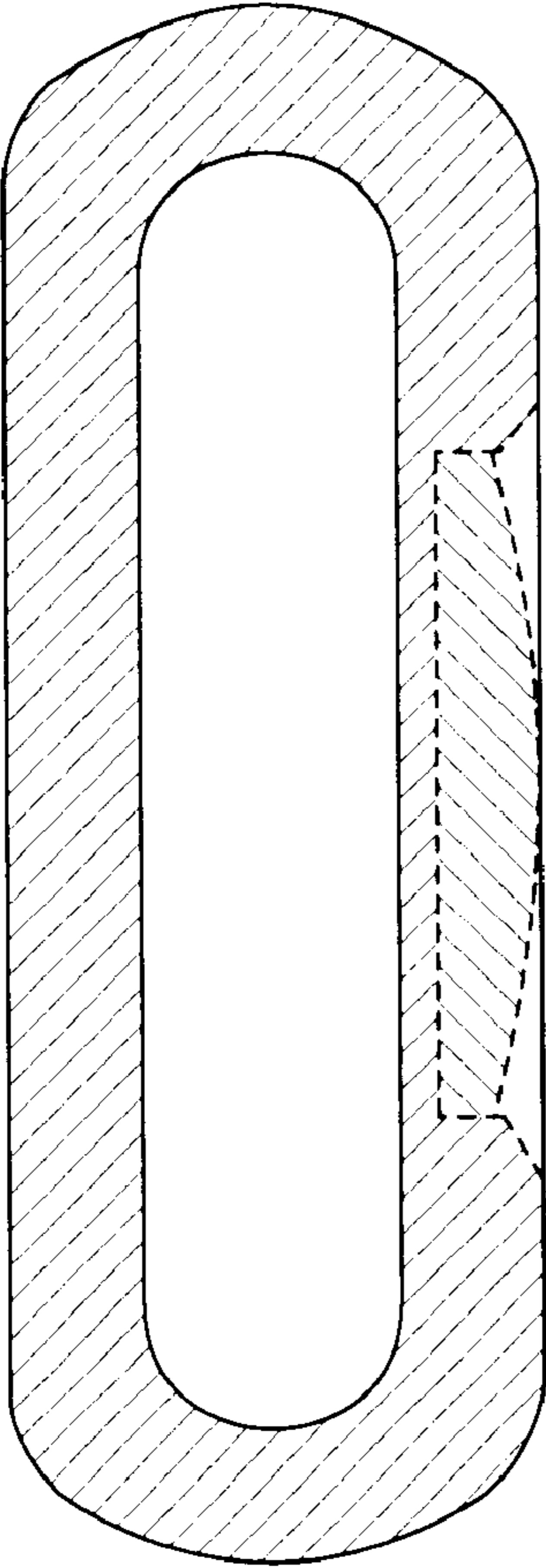


FIG.11

