



US00D514549S

(12) **United States Design Patent**  
**Rath et al.**

(10) **Patent No.:** **US D514,549 S**  
(45) **Date of Patent:** **\*\* Feb. 7, 2006**

(54) **HEADSET**

(75) Inventors: **Klaus Rath**, Gentofte (DK); **Charles Pedersen**, Virum (DK)

(73) Assignee: **GN Netcom A/S** (DK)

(\*\*) Term: **14 Years**

(21) Appl. No.: **29/213,207**

(22) Filed: **Sep. 15, 2004**

(30) **Foreign Application Priority Data**

Mar. 16, 2004 (EM) ..... 000146592

(51) **LOC (8) Cl.** ..... **14-01**

(52) **U.S. Cl.** ..... **D14/223**

(58) **Field of Classification Search** ..... D14/188,  
D14/192, 205, 206, 223; D24/174; 379/430,  
379/446; 381/381, 378, 379, 374, 376, 377,  
381/330; 181/129-130

See application file for complete search history.

(56) **References Cited**

**U.S. PATENT DOCUMENTS**

D463,791 S \* 10/2002 Nagai et al. .... D14/223

D471,889 S	*	3/2003	Rath et al. ....	D14/205
D478,574 S	*	8/2003	Ming .....	D14/223
D480,711 S	*	10/2003	Kuan .....	D14/223
D487,078 S	*	2/2004	Chen .....	D14/223
D494,569 S	*	8/2004	Ma .....	D14/223
D494,570 S	*	8/2004	Ma .....	D14/223
D497,613 S	*	10/2004	Gwee .....	D14/223
D498,750 S	*	11/2004	Ma .....	D14/223

\* cited by examiner

*Primary Examiner*—Paula A. Greene

(74) *Attorney, Agent, or Firm*—Altera Law Group, LLC

(57) **CLAIM**

The ornamental design for headset, as shown and described.

**DESCRIPTION**

FIG. 1 is a front view of the headset.

FIG. 2 is a back view thereof.

FIG. 3 is a right-side view thereof.

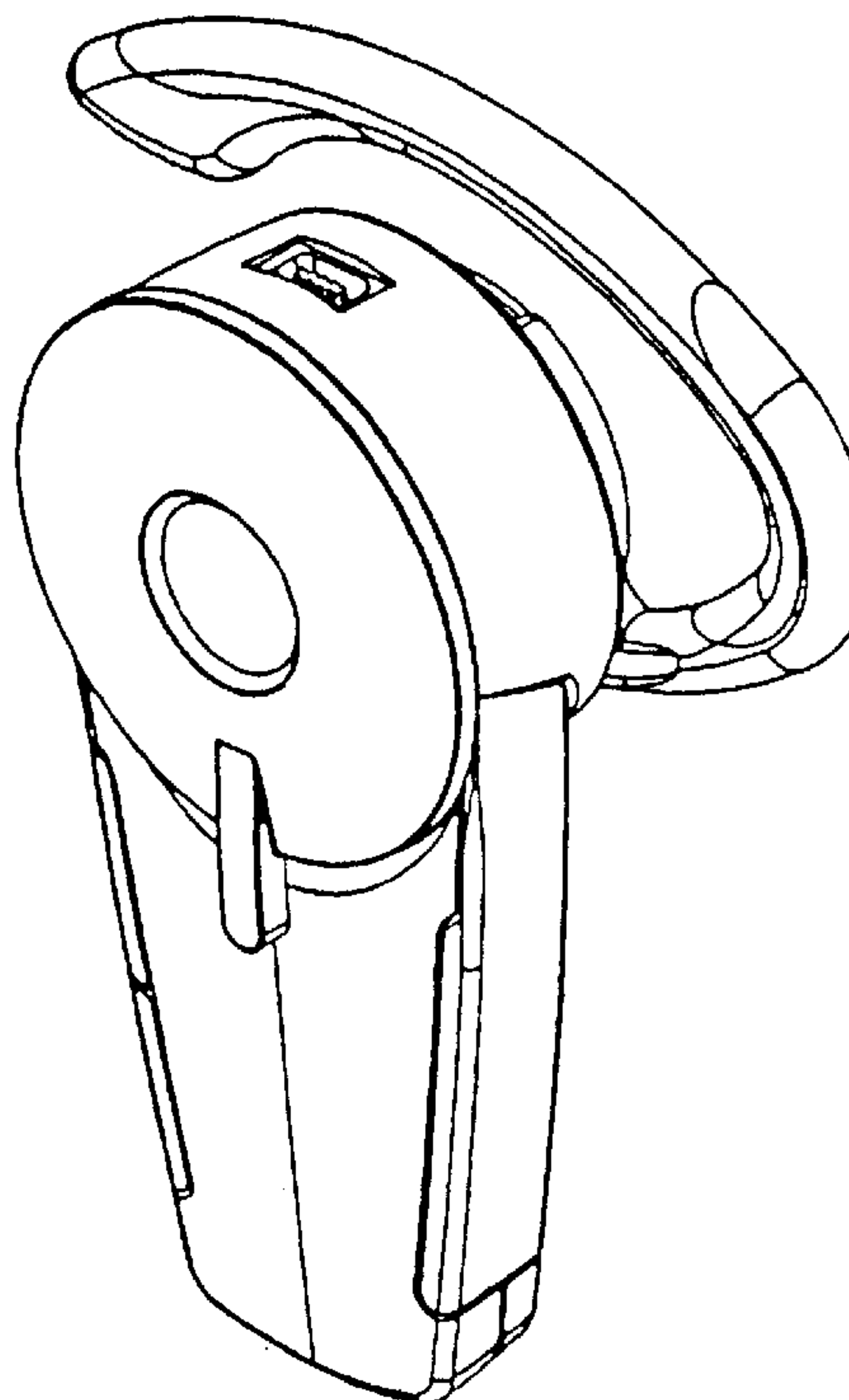
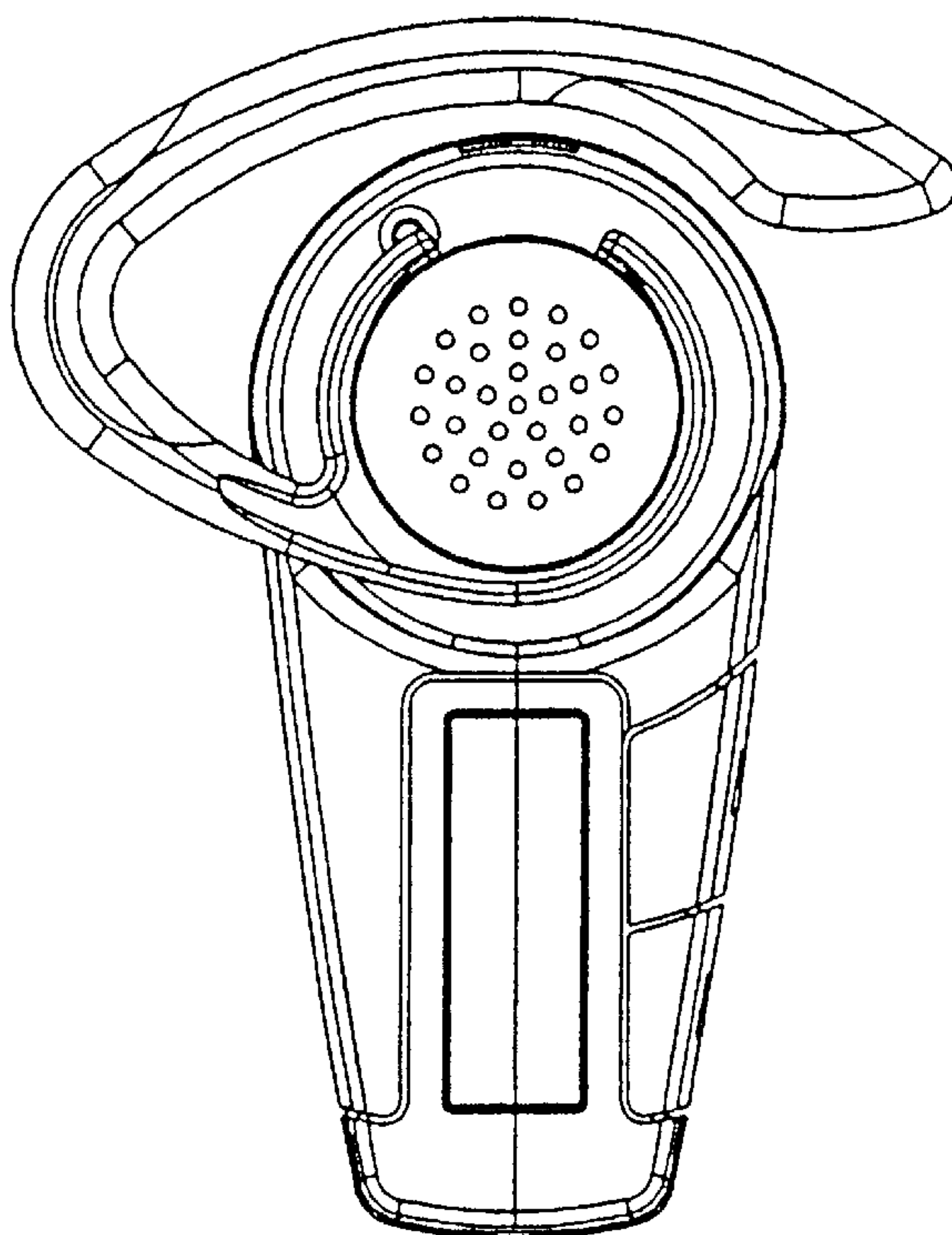
FIG. 4 is a left-side view thereof.

FIG. 5 is a top view thereof.

FIG. 6 is a bottom view thereof; and,

FIG. 7 is a perspective view thereof.

**1 Claim, 3 Drawing Sheets**



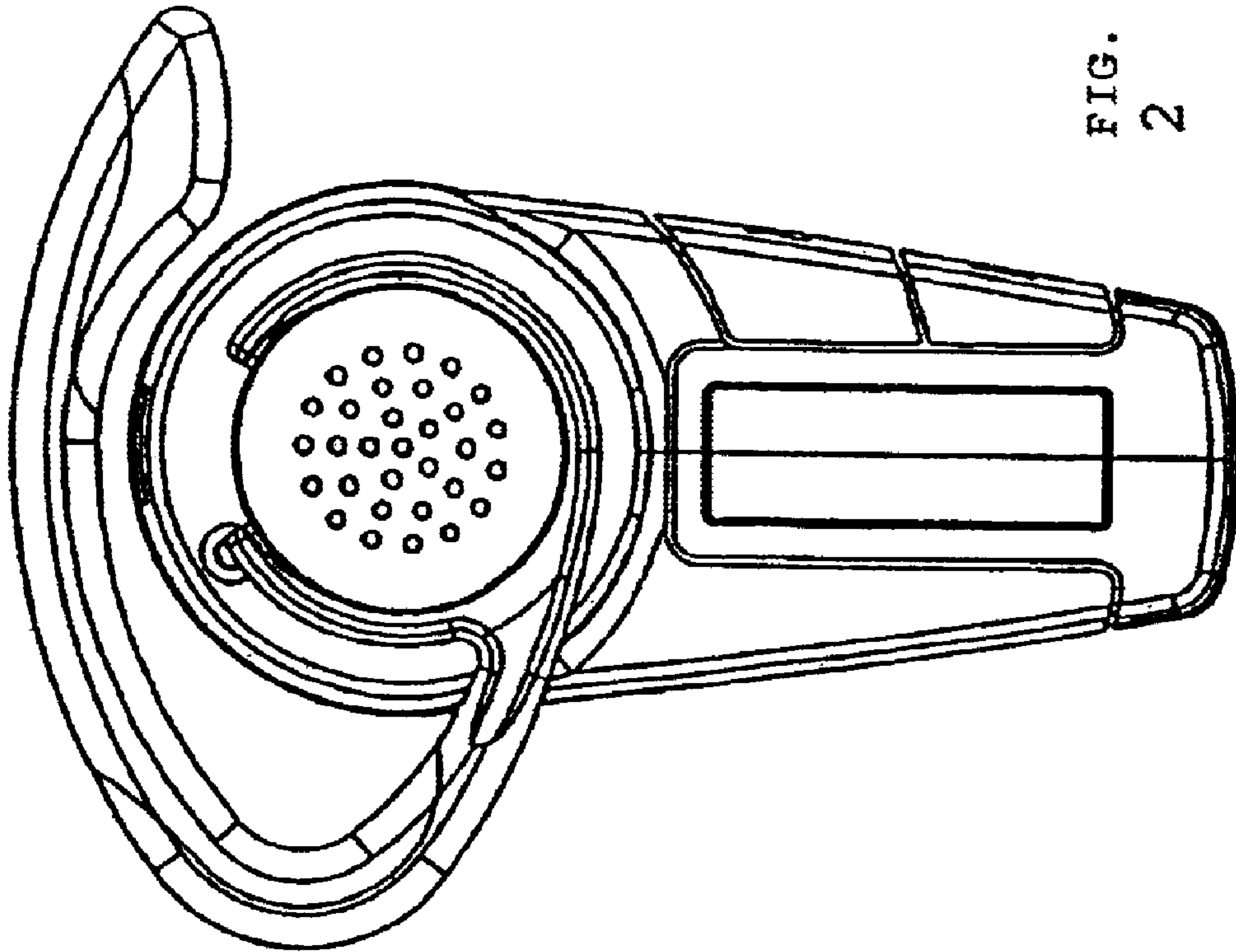


FIG.  
2

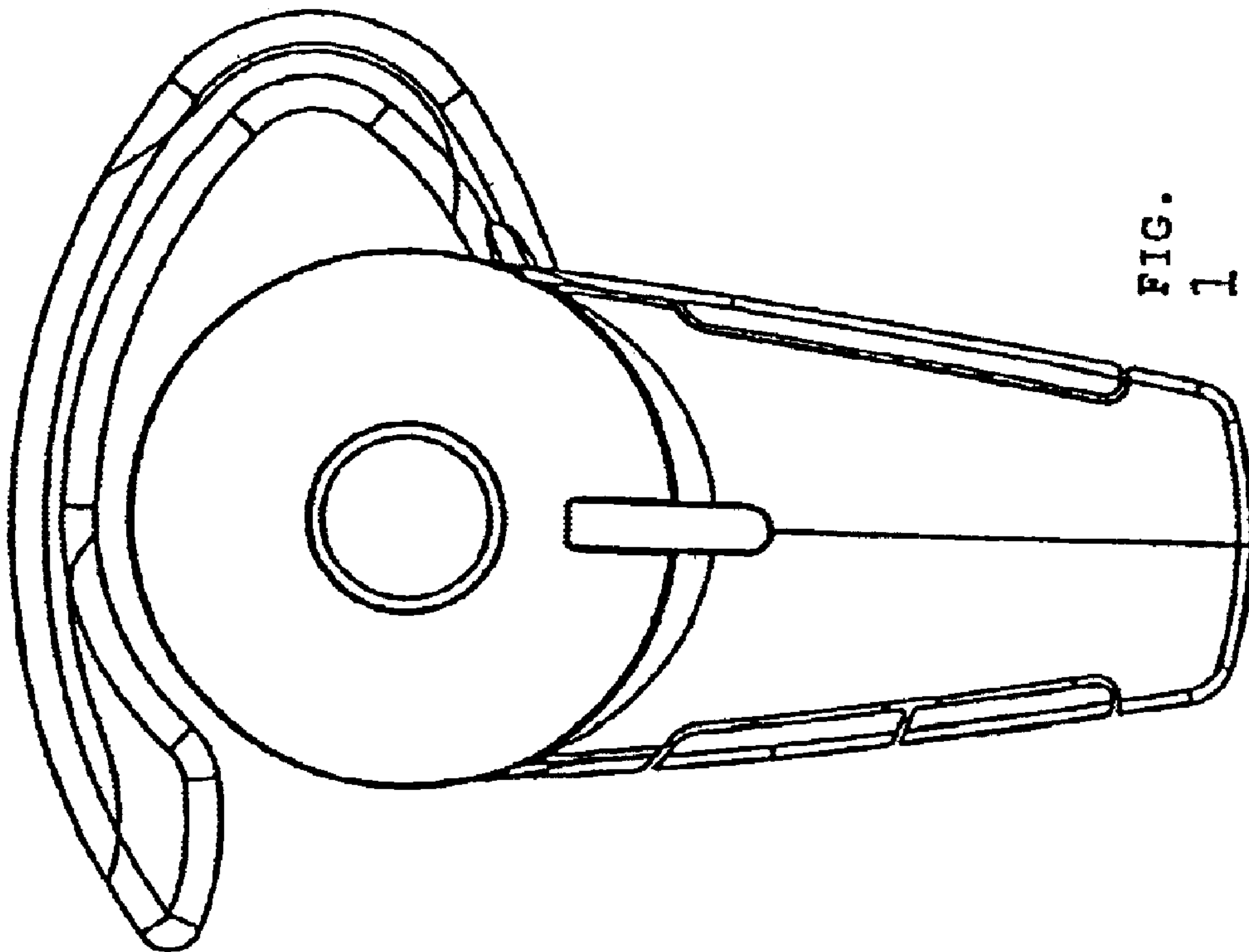


FIG.  
1

FIG.  
4

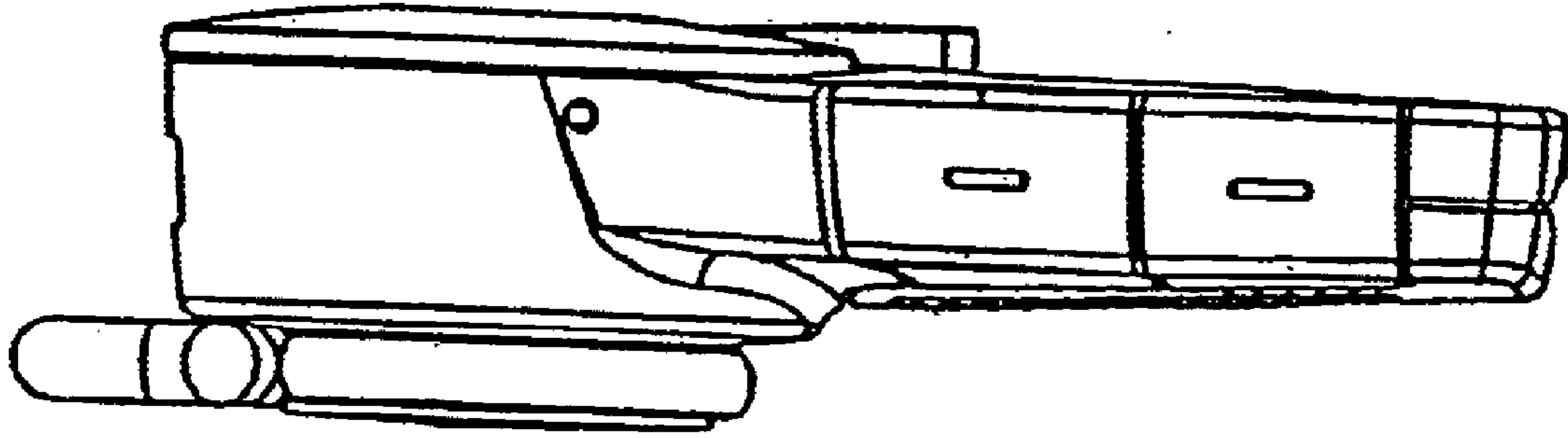
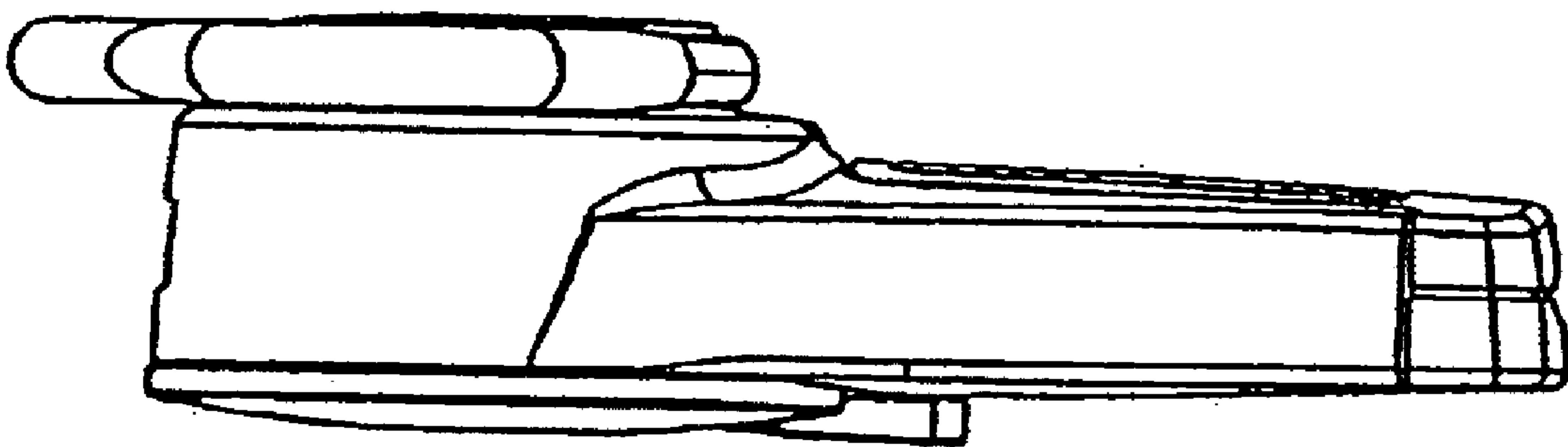


FIG.  
3



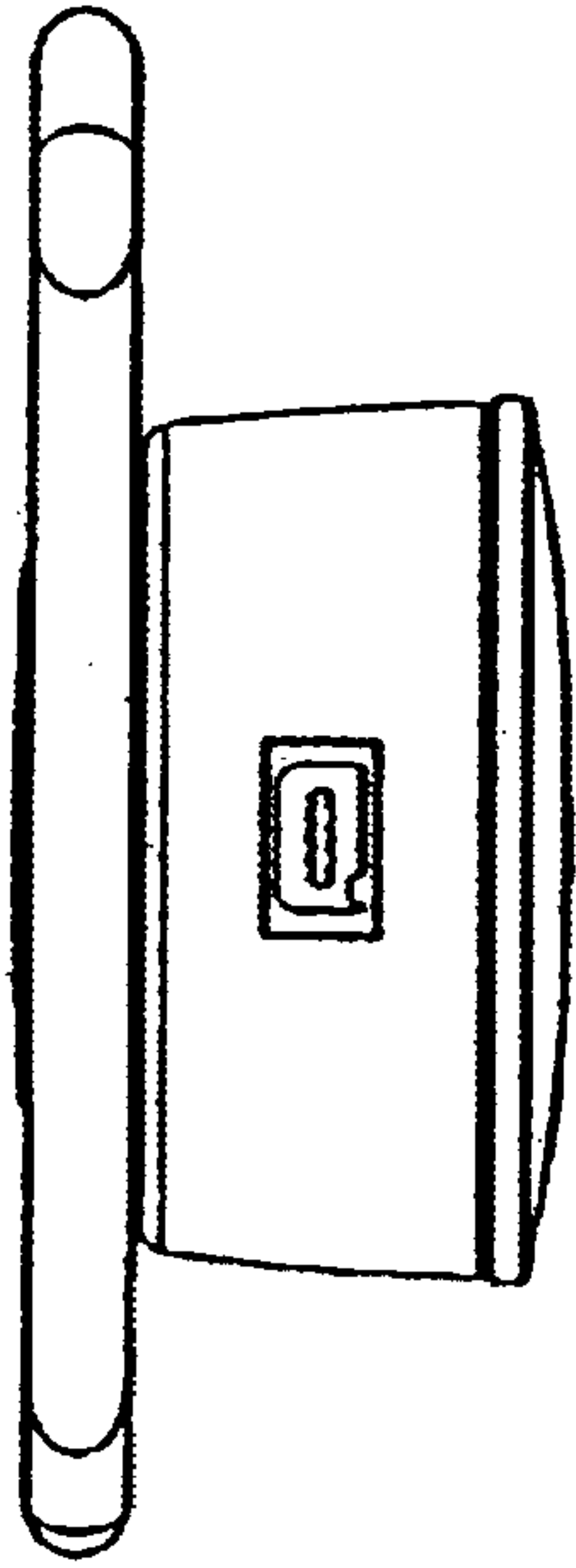


FIG. 5

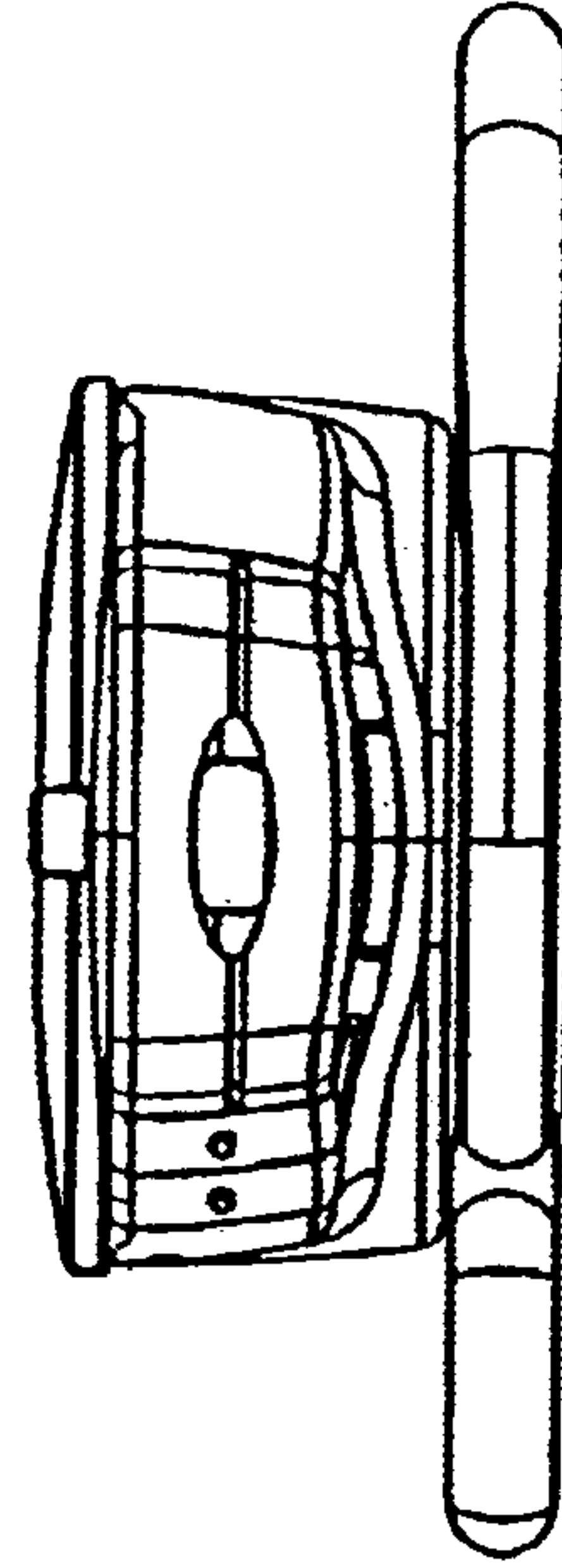


FIG. 6

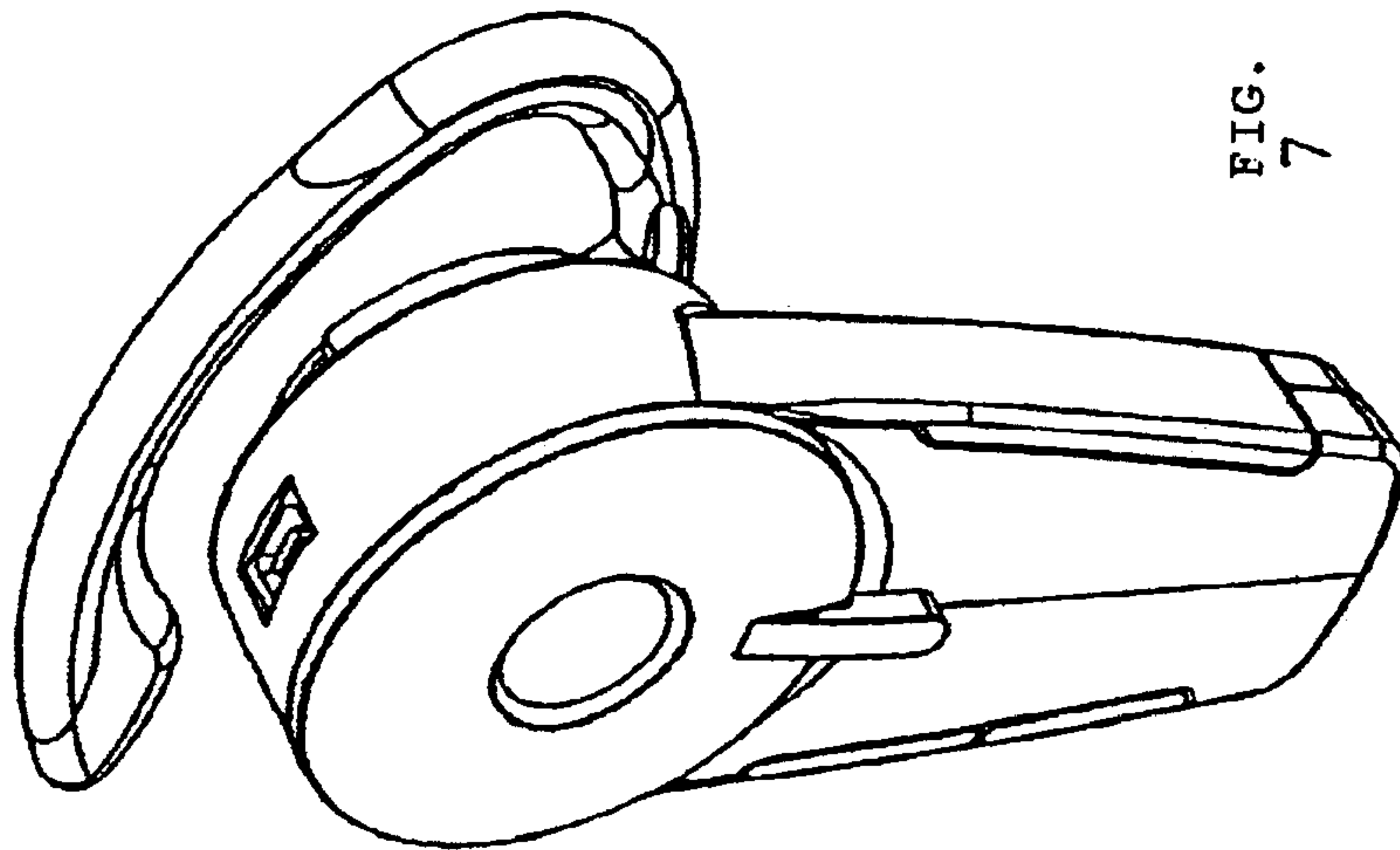


FIG. 7