



US00D514548S

(12) **United States Design Patent**
Chan

(10) **Patent No.:** **US D514,548 S**
(45) **Date of Patent:** **** Feb. 7, 2006**

(54) **LOUDSPEAKER**

(75) **Inventor:** **Raymond Chan, Hong Kong (CN)**

(73) **Assignee:** **IDT Sonicvision Limited, Kowloon (HK)**

(**) **Term:** **14 Years**

(21) **Appl. No.:** **29/207,981**

(22) **Filed:** **Jun. 22, 2004**

(30) **Foreign Application Priority Data**

Apr. 19, 2004 (HK) 0410809.2M002

(51) **LOC (8) Cl.** **14-01**

(52) **U.S. Cl.** **D14/216**

(58) **Field of Classification Search** D14/204,
D14/207, 209-216, 356; 181/143-144, 147-148,
181/150, 157, 198-199, 151, 153; 381/300-302,
381/306, 333, 345, 361-364, 386-388, 332,
381/336

See application file for complete search history.

(56) **References Cited**

U.S. PATENT DOCUMENTS

2,881,850 A * 4/1959 Bonn 181/153

4,865,153 A * 9/1989 Toyoda 381/336
D440,557 S * 4/2001 Su D14/215
D447,471 S * 9/2001 Andre et al. D14/216
D466,887 S * 12/2002 Lewis D14/216
D467,238 S * 12/2002 Hlas et al. D14/216
D487,737 S * 3/2004 Lewis D14/215

* cited by examiner

Primary Examiner—Nanda Bondade

(74) *Attorney, Agent, or Firm*—Alix, Yale & Ristas, LLP

(57) **CLAIM**

The ornamental design for a loudspeaker, as shown and described.

DESCRIPTION

FIG. 1 is a front perspective view of a loudspeaker showing my new design;

FIG. 2 is a rear perspective view thereof;

FIG. 3 is a front elevational view thereof;

FIG. 4 is a rear elevational view thereof;

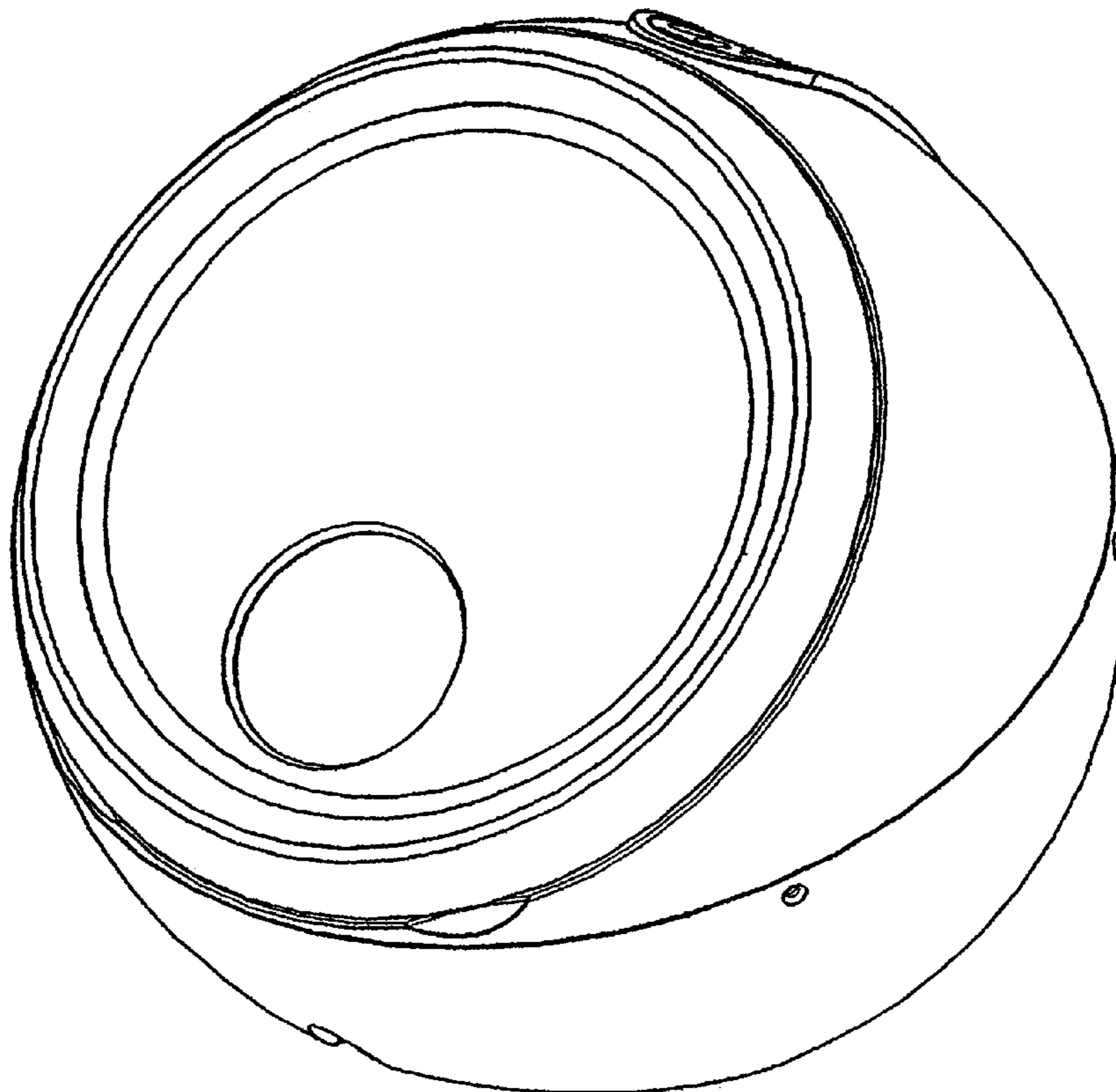
FIG. 5 is a top plan view thereof;

FIG. 6 is a bottom plan view thereof;

FIG. 7 is a left side elevational view thereof; and,

FIG. 8 is a right side elevational view thereof.

1 Claim, 5 Drawing Sheets



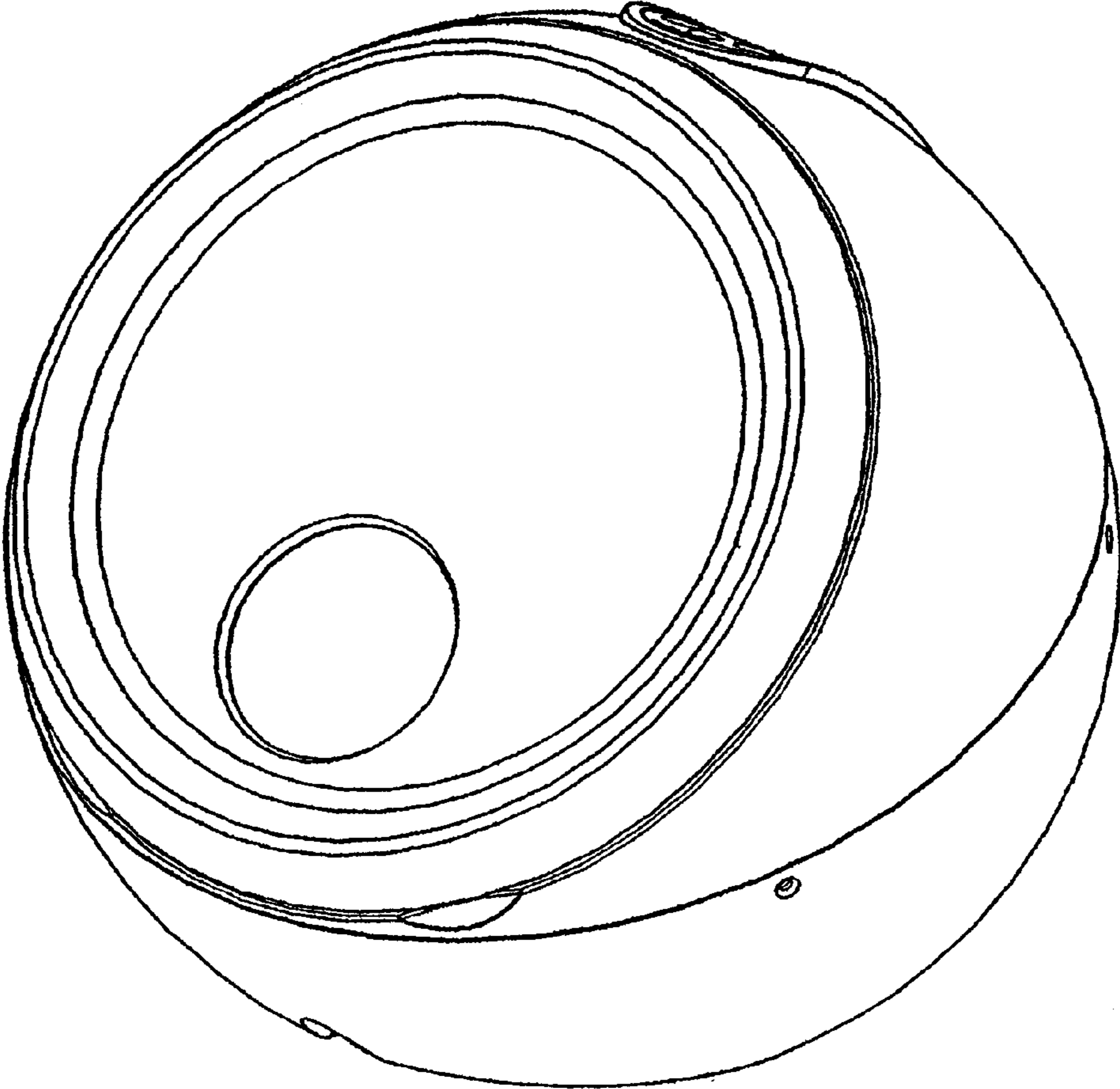


FIG. 1

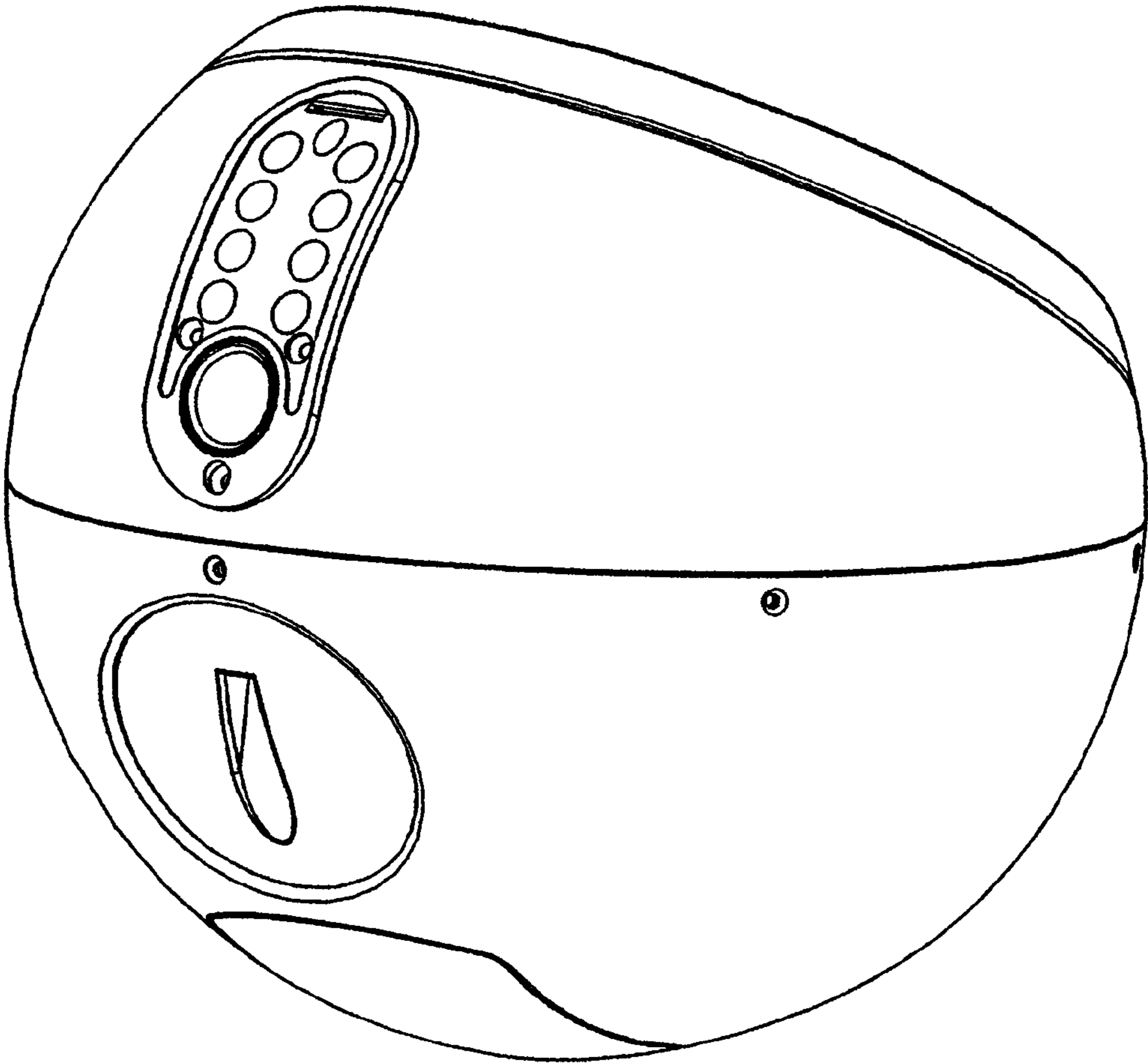


FIG. 2

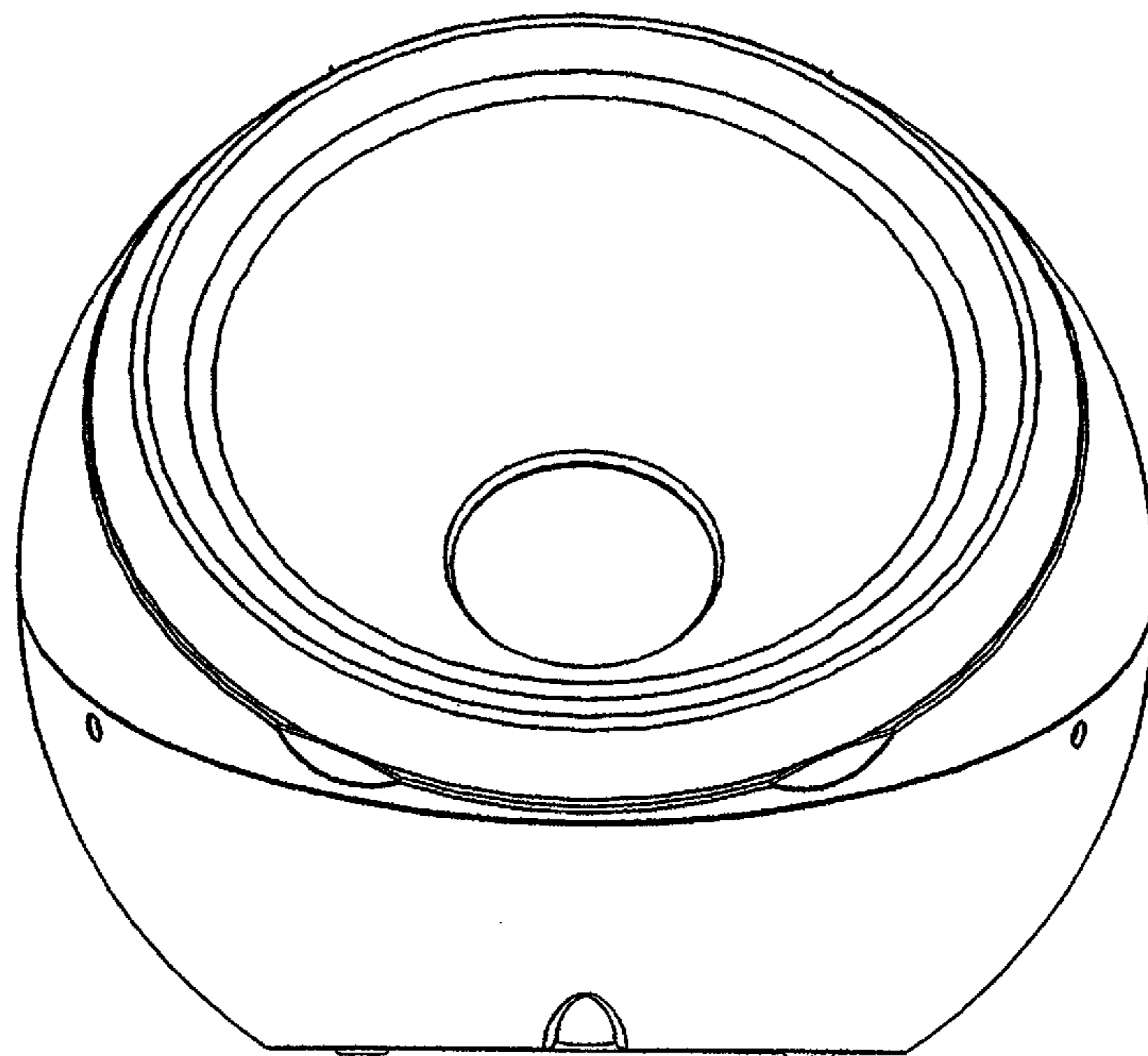


FIG. 3

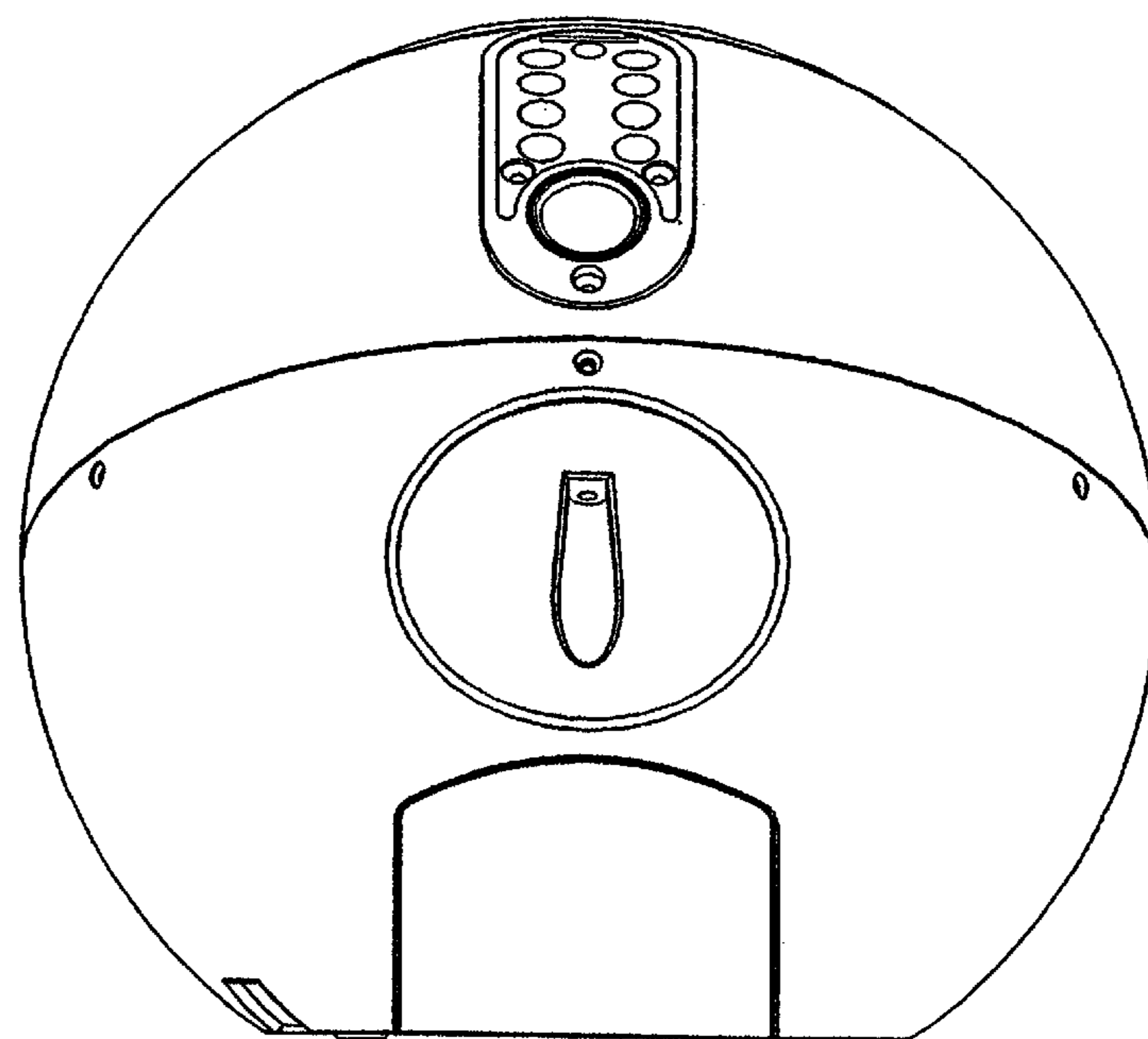


FIG. 4

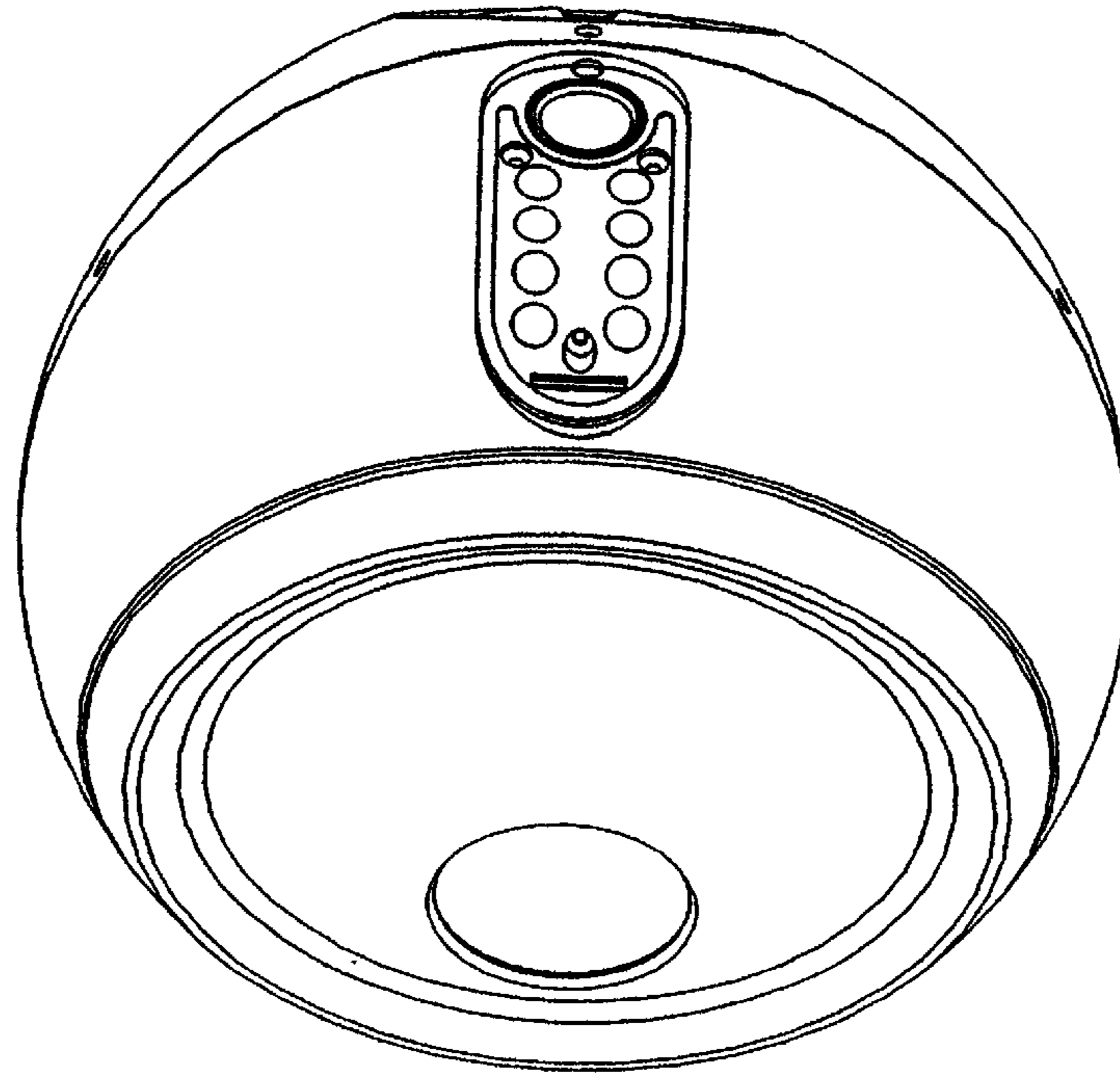


FIG. 5

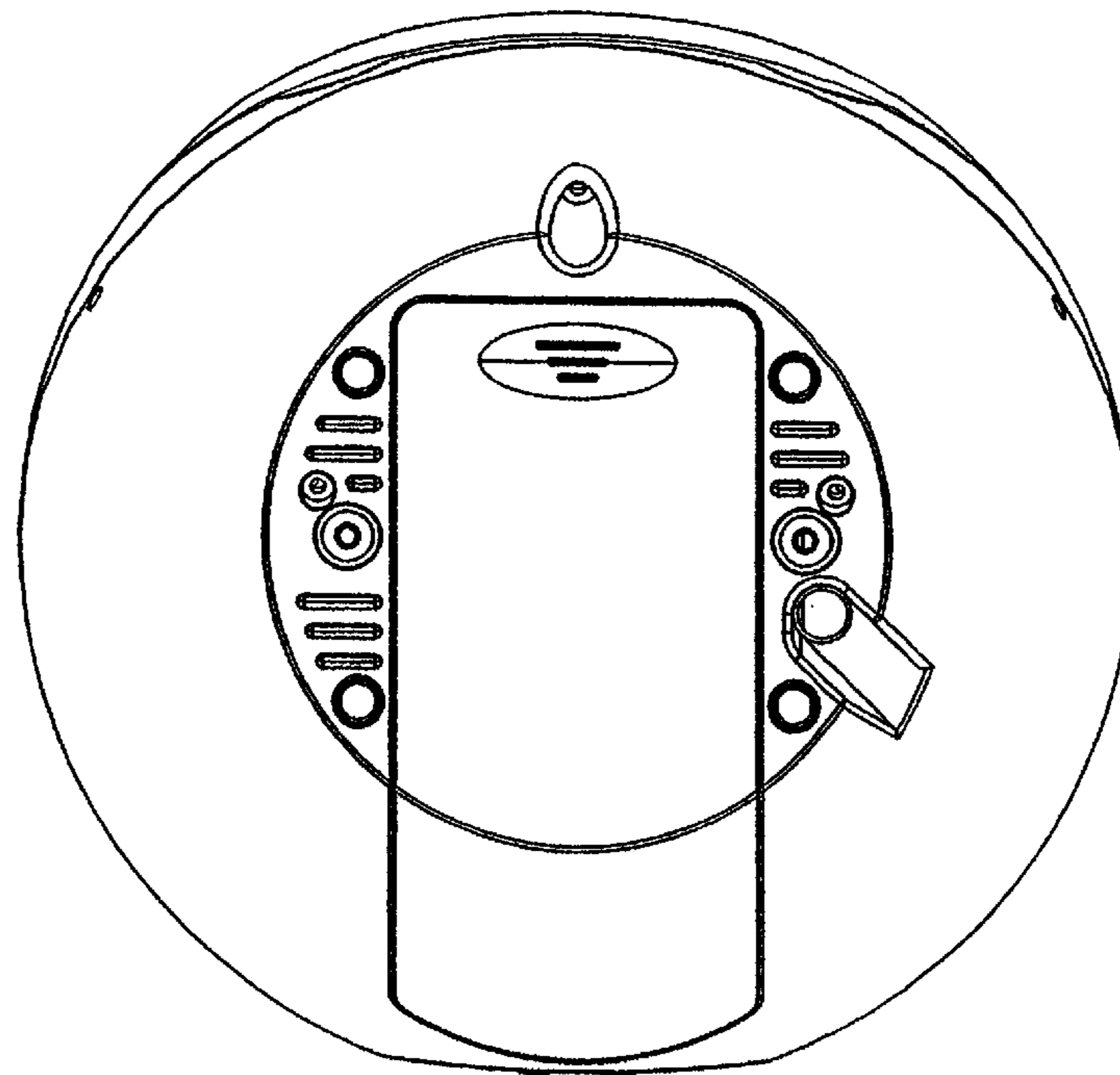


FIG. 6

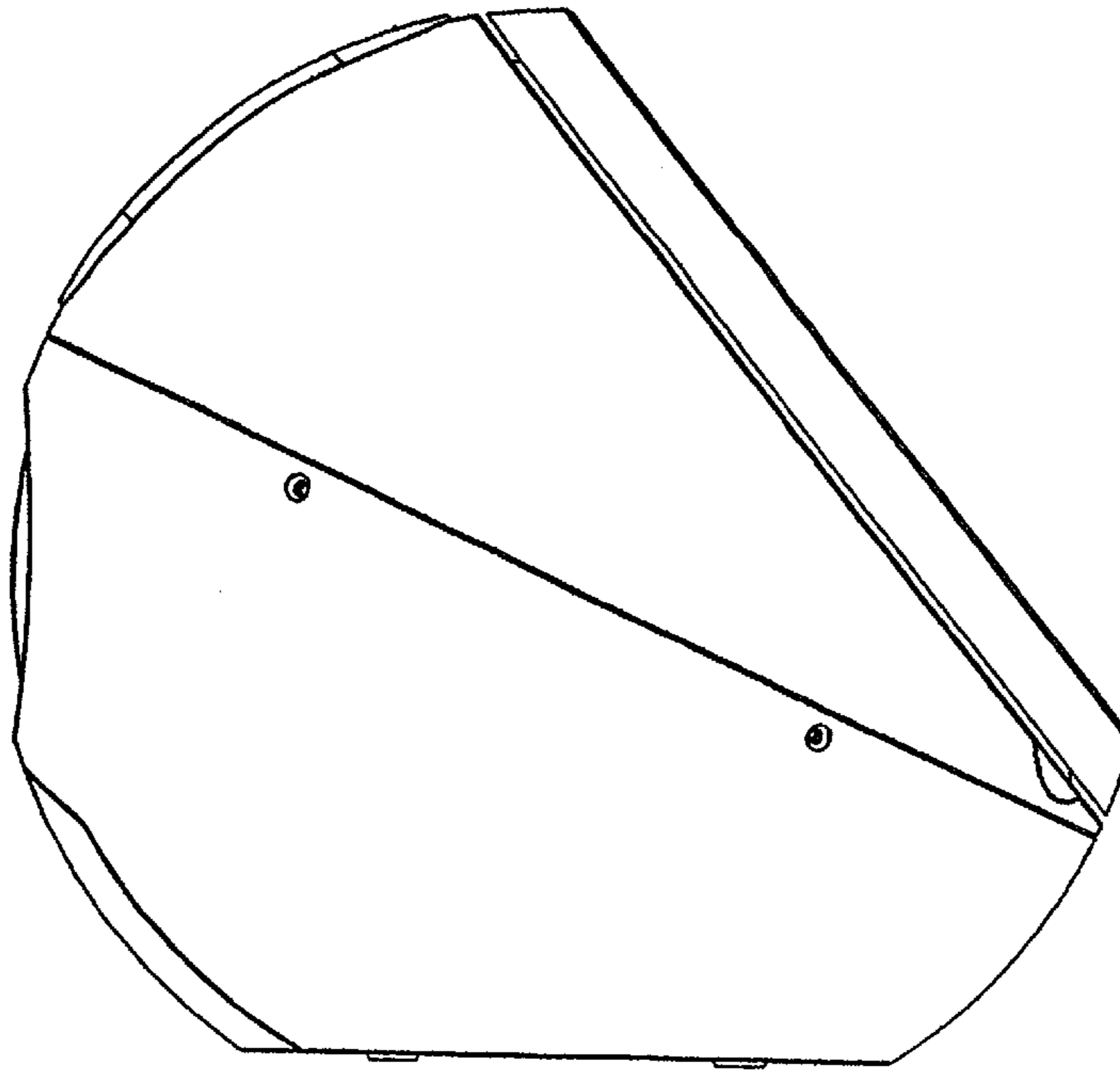


FIG. 7

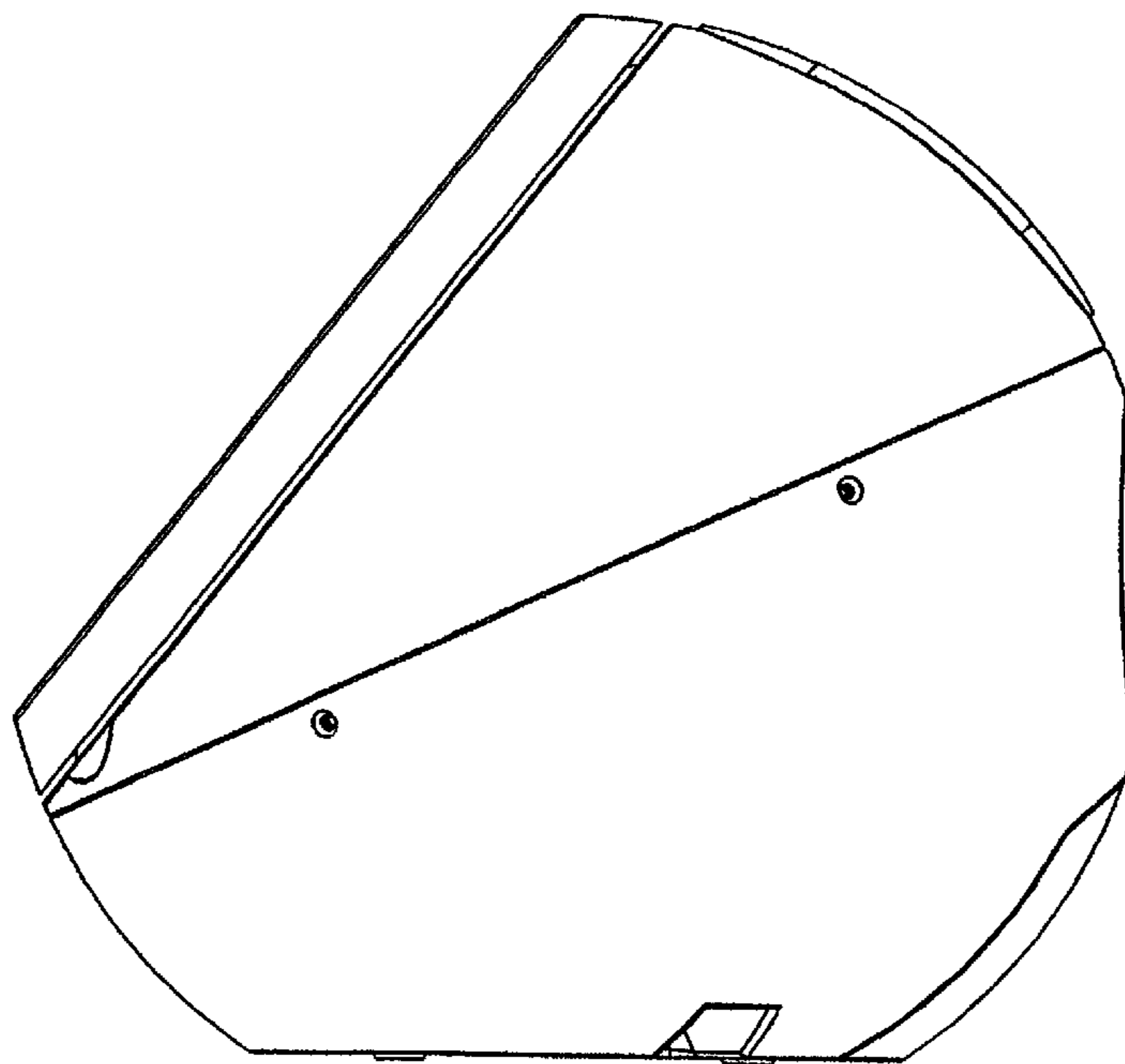


FIG. 8