



US00D514545S

(12) **United States Design Patent**
Watanabe

(10) **Patent No.:** **US D514,545 S**
(45) **Date of Patent:** **** Feb. 7, 2006**

(54) **DIGITAL AUDIO DISC PLAYER WITH RADIO TUNER**

(75) Inventor: **Hiroyuki Watanabe, Tokyo (JP)**

(73) Assignee: **Teac Corporation, Tokyo (JP)**

(**) Term: **14 Years**

(21) Appl. No.: **29/210,376**

(22) Filed: **Aug. 2, 2004**

(30) **Foreign Application Priority Data**

Feb. 19, 2004 (JP) 2004-004274

(51) **LOC (8) Cl.** **14-01**

(52) **U.S. Cl.** **D14/168**

(58) **Field of Classification Search** D14/156-157,
D14/160-165, 167-168, 170, 171, 192-198,
D14/188; 360/99.02, 99.07; 369/75.11, 75.21,
369/77.21, 77.11; 720/612, 619, 647, 655;
455/344, 347-351

See application file for complete search history.

(56) **References Cited**

U.S. PATENT DOCUMENTS

D216,649 S * 2/1970 Ohwada et al. D14/198

D384,069 S * 9/1997 Kokkinis D14/171
D420,352 S * 2/2000 Chan D14/171
D427,581 S * 7/2000 Hattori D14/168
D430,550 S * 9/2000 Nakajima et al. D14/156

* cited by examiner

Primary Examiner—Nanda Bondade
(74) *Attorney, Agent, or Firm*—Manabu Kanesaka

(57) **CLAIM**

The ornamental design for a digital audio disc player with radio tuner, as shown and described.

DESCRIPTION

FIG. 1 is a perspective view of a digital audio disc player with a radio tuner showing my new design;
FIG. 2 is a front view thereof;
FIG. 3 is a rear view thereof;
FIG. 4 is a left side view thereof;
FIG. 5 is a right side view thereof;
FIG. 6 is a top view thereof; and,
FIG. 7 is a bottom view thereof.

1 Claim, 4 Drawing Sheets

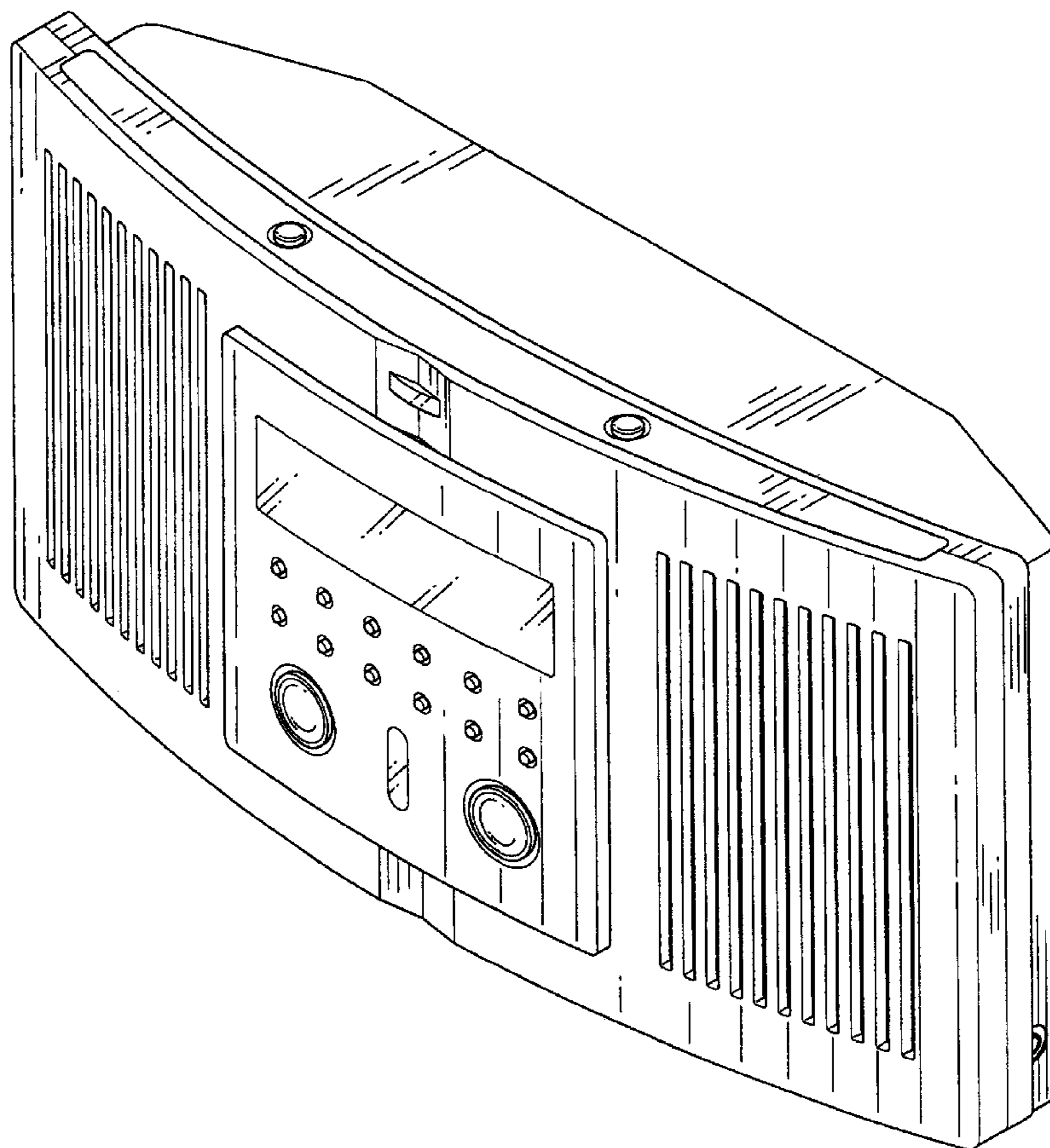


FIG. 1

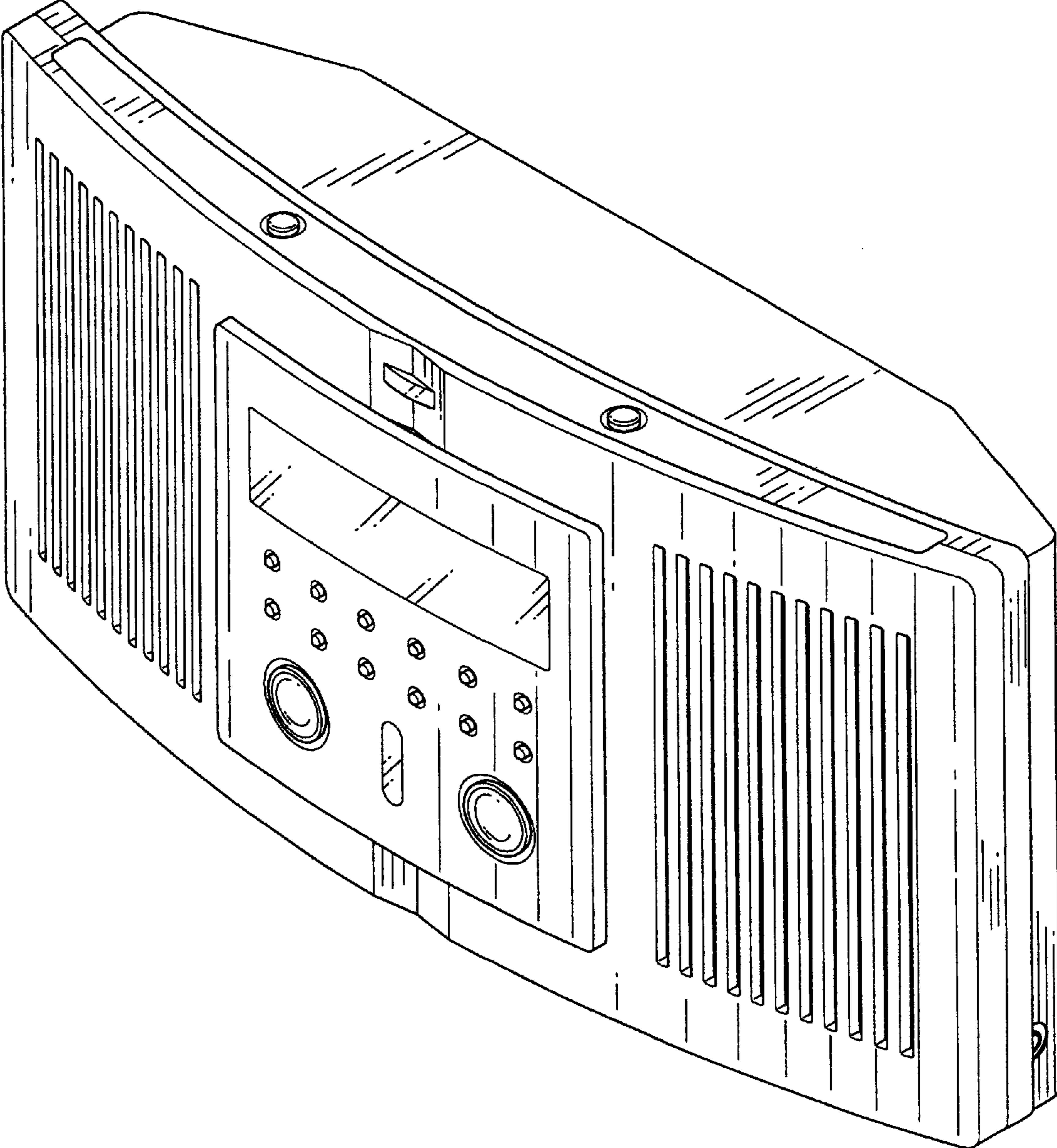


FIG. 2

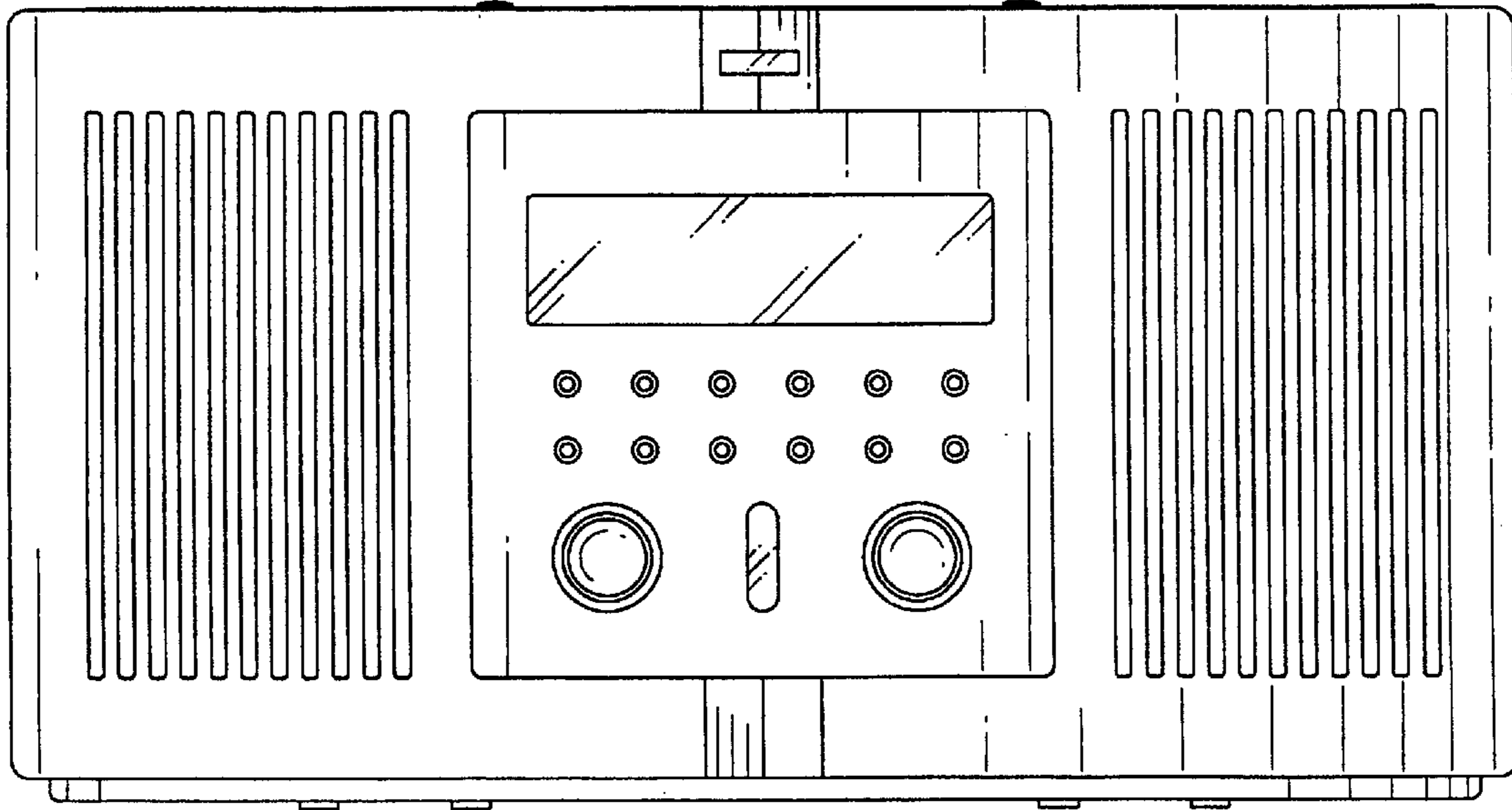


FIG. 3

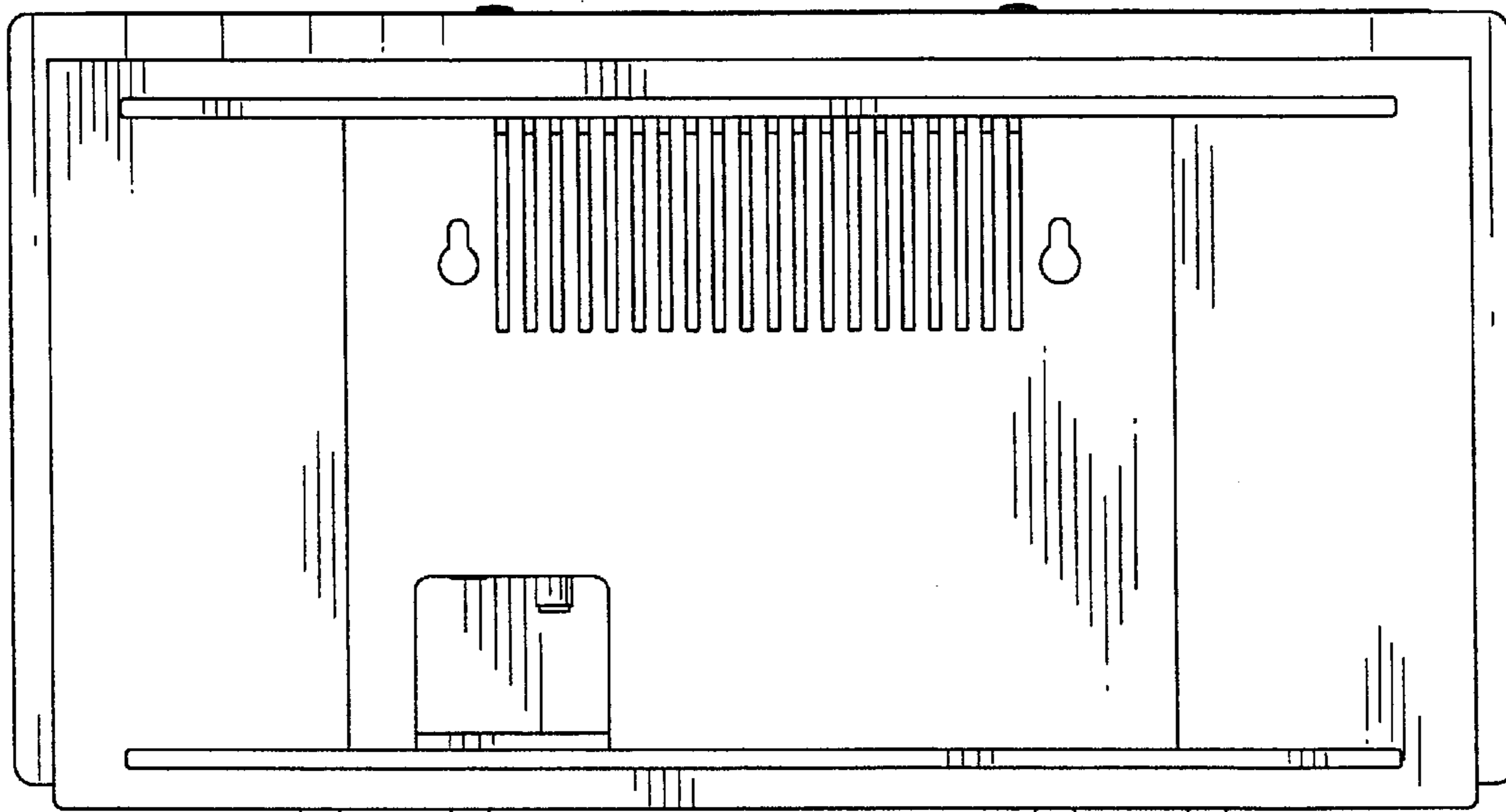


FIG. 4

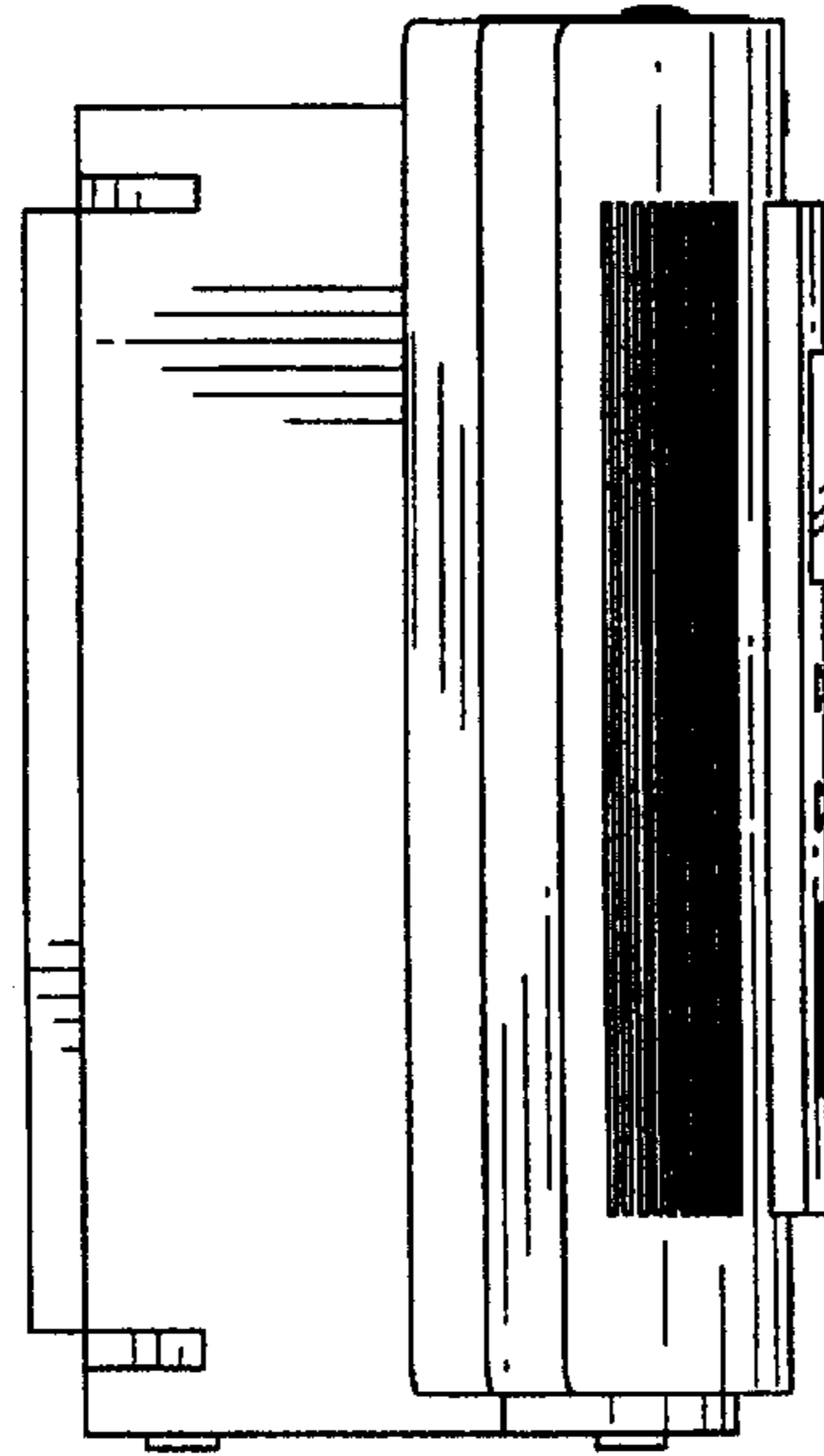


FIG. 5

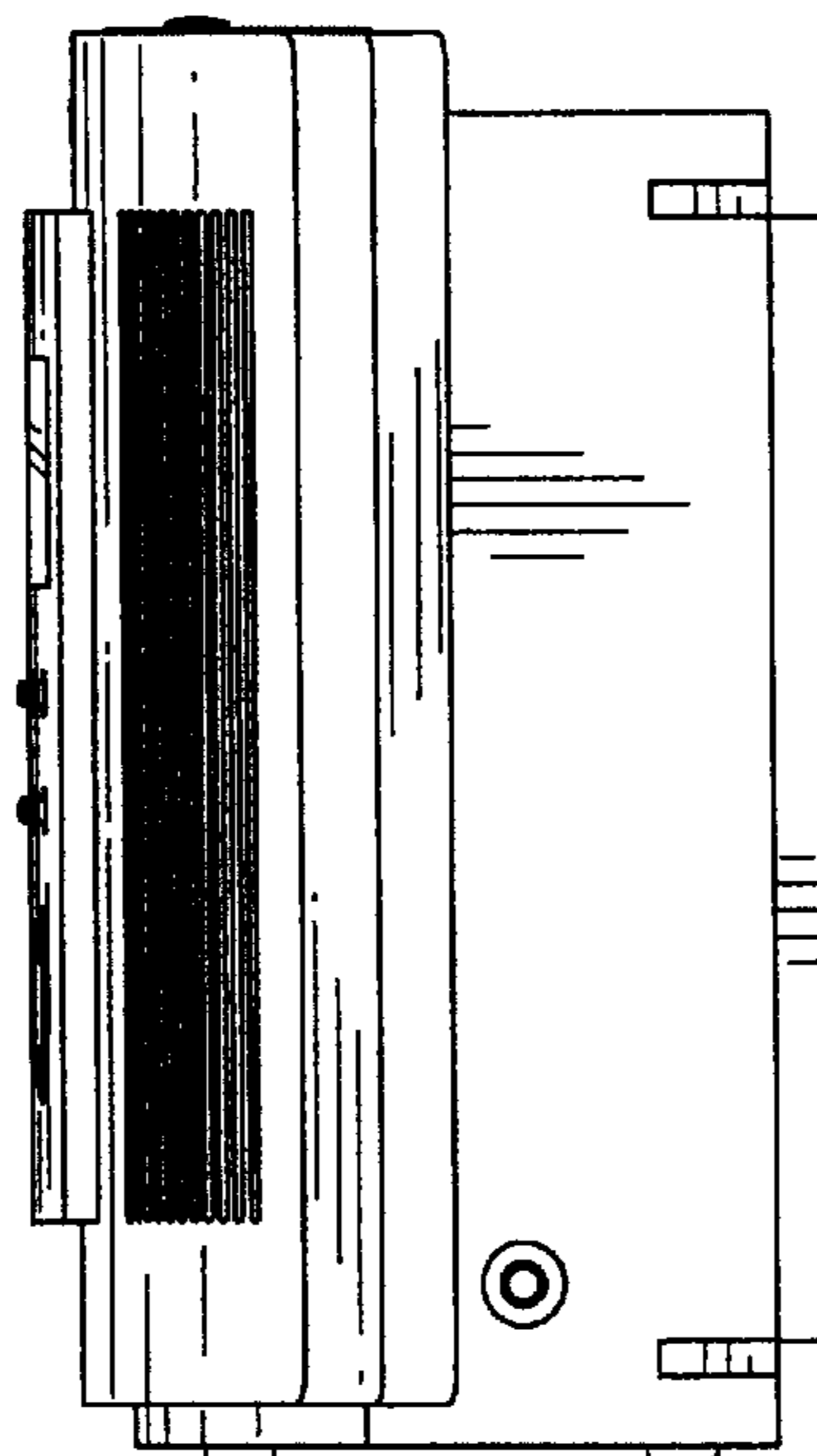


FIG. 6

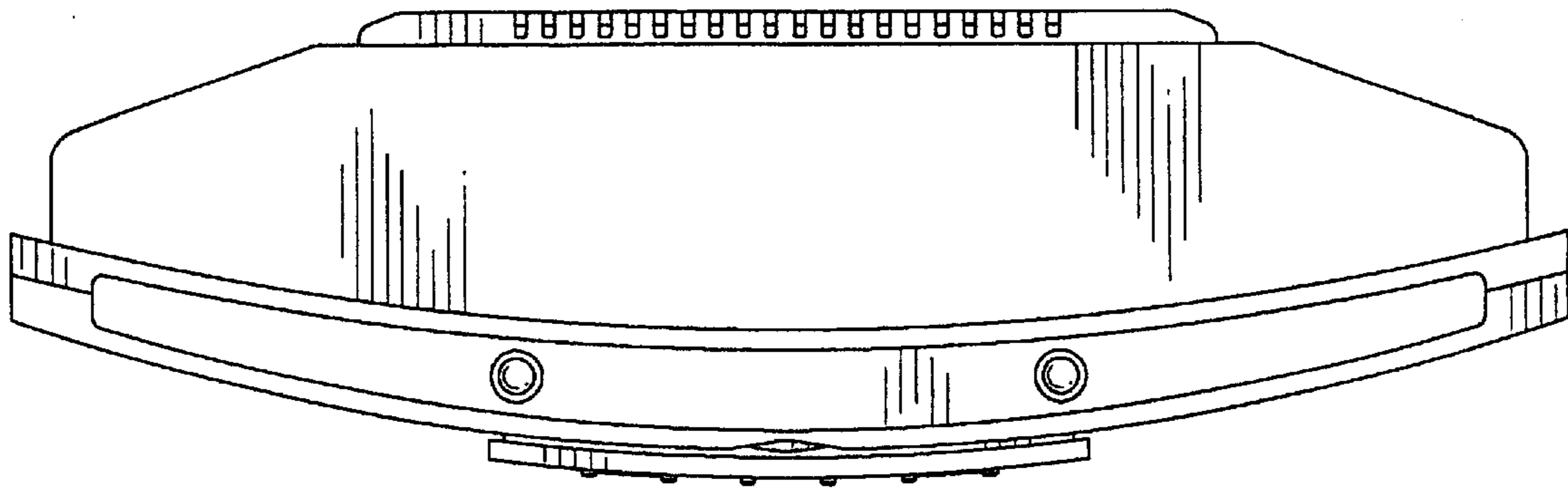


FIG. 7

