



US00D514544S

(12) **United States Design Patent**  
**Beasley et al.**

(10) **Patent No.:** **US D514,544 S**

(45) **Date of Patent:** **\*\* Feb. 7, 2006**

(54) **CORDLESS TELEPHONE BASE**

(75) Inventors: **Jeffery R. Beasley**, Suwanee, GA (US);  
**Christopher G. Franck**, Decatur, GA  
(US); **Matthew M. Julian**, Sunrise, FL  
(US)

(73) Assignee: **General Instrument Corporation**,  
Horsham, PA (US)

(\*\*) Term: **14 Years**

(21) Appl. No.: **29/210,303**

(22) Filed: **Jul. 29, 2004**

(51) **LOC (8) Cl.** ..... **14-03**

(52) **U.S. Cl.** ..... **D14/149; D13/108**

(58) **Field of Classification Search** ..... D14/149–151,  
D14/147–148, 251–253, 144, 143, 130, 329,  
D14/330, 434, 140, 142; 379/419, 428.01–428.04,  
379/440; D13/107, 108; D21/517

See application file for complete search history.

(56) **References Cited**

**U.S. PATENT DOCUMENTS**

D278,434 S	*	4/1985	Nestell	.....	D14/149
D286,150 S	*	10/1986	Cooke et al.	.....	D14/149
D306,295 S	*	2/1990	Nagele	.....	D14/149
D307,276 S	*	4/1990	Desbarats	.....	D14/149
D320,982 S	*	10/1991	Siddoway	.....	D14/137
D322,436 S	*	12/1991	Myoga	.....	D14/138
D345,974 S	*	4/1994	Biskup et al.	.....	D14/149
D347,633 S	*	6/1994	Keung	.....	D14/151
D349,899 S	*	8/1994	Siddoway et al.	.....	D14/151
D352,497 S	*	11/1994	Scianna et al.	.....	D13/108
D354,955 S	*	1/1995	Wicks	.....	D14/151
D358,387 S	*	5/1995	Tokiyama	.....	D14/149
D359,284 S	*	6/1995	Hung	.....	D14/151
D361,999 S	*	9/1995	Roegner	.....	D14/149
D363,286 S	*	10/1995	Solomita	.....	D14/151
D369,803 S	*	5/1996	Ka Hung	.....	D14/149
D375,935 S	*	11/1996	Nagele et al.	.....	D13/108
D378,089 S	*	2/1997	Biskup et al.	.....	D14/149
D382,557 S	*	8/1997	Solomita et al.	.....	D14/149
D384,663 S	*	10/1997	Solomita et al.	.....	D14/141.1
D388,433 S	*	12/1997	Lepack	.....	D14/149
D389,479 S	*	1/1998	Dijkstra	.....	D14/151
D401,235 S	*	11/1998	Fuke et al.	.....	D14/149

D407,064 S	*	3/1999	Lebherz	.....	D13/108
D408,815 S	*	4/1999	Halus et al.	.....	D14/149
D414,489 S	*	9/1999	Voigt et al.	.....	D14/148
D415,153 S	*	10/1999	Fitzgerald	.....	D14/150
D425,856 S	*	5/2000	Shindo	.....	D13/108
6,108,568 A	*	8/2000	Lebrun et al.	.....	455/573
D432,107 S	*	10/2000	Isonaga	.....	D14/149
6,356,053 B1	*	3/2002	Sandoz et al.	.....	320/115
D456,795 S	*	5/2002	Hughes et al.	.....	D14/149
D469,074 S	*	1/2003	Muenschler et al.	.....	D14/149
D471,187 S	*	3/2003	Song	.....	D14/253
D489,048 S	*	4/2004	Robertson et al.	.....	D14/149
D489,348 S	*	5/2004	Robertson et al.	.....	D14/151

**FOREIGN PATENT DOCUMENTS**

WO	DM/046695	*	2/1999
WO	DM/050606	*	11/1999
WO	DM/055666	*	5/2000
WO	DM/064090	*	3/2002
WO	DM/060792	*	6/2002

\* cited by examiner

*Primary Examiner*—Jeffrey Asch

(74) *Attorney, Agent, or Firm*—Esteban A. Rockett

(57) **CLAIM**

The ornamental design for a cordless telephone base, as shown and described.

**DESCRIPTION**

FIG. 1 is a front perspective view of a cordless telephone base in accordance with the present invention;

FIG. 2 is a top view of the cordless telephone base of FIG. 1;

FIG. 3 is a bottom view of the cordless telephone base of FIG. 1;

FIG. 4 is a front view of the cordless telephone base of FIG. 1;

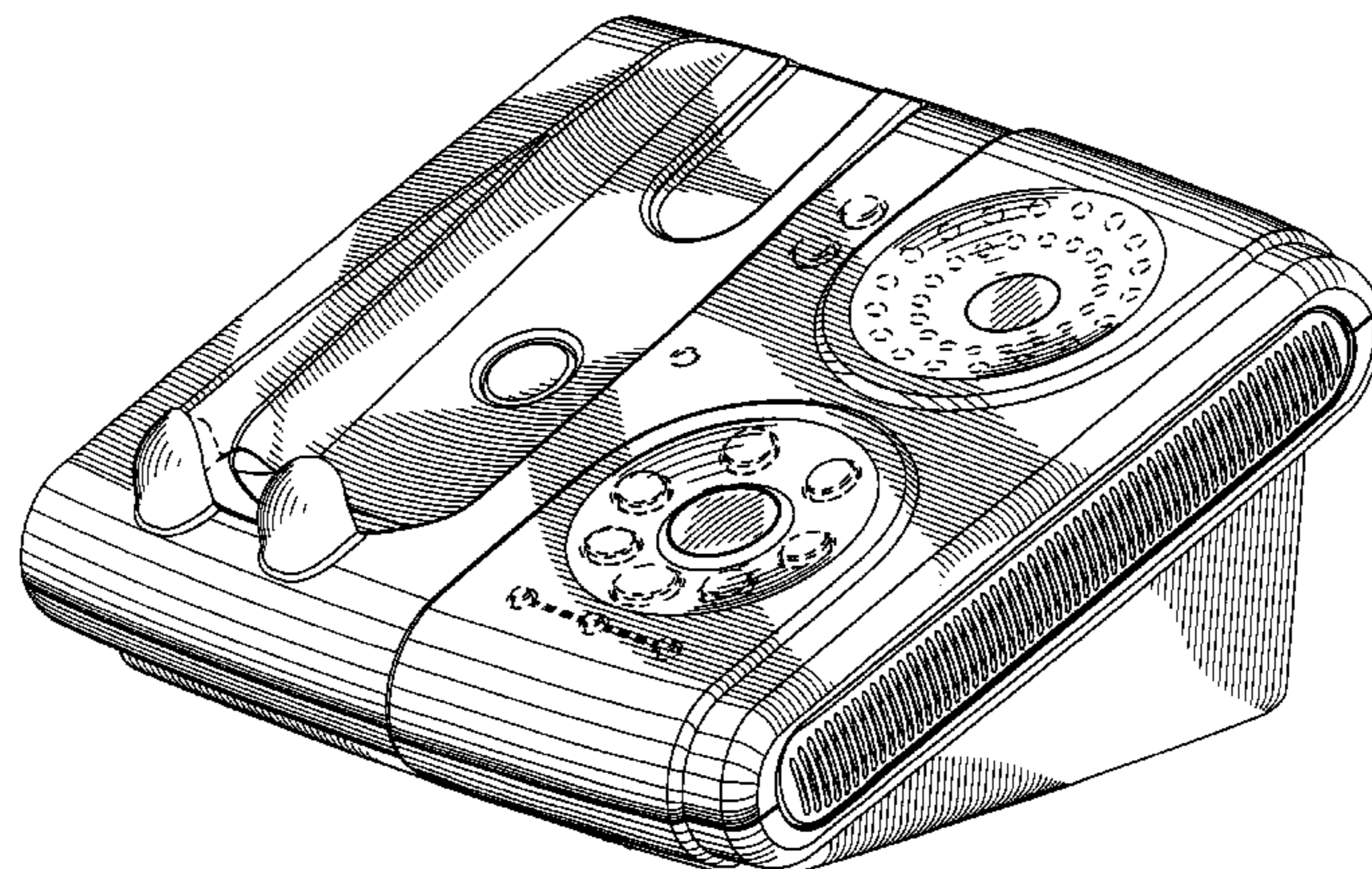
FIG. 5 is a back view of the cordless telephone base of FIG. 1;

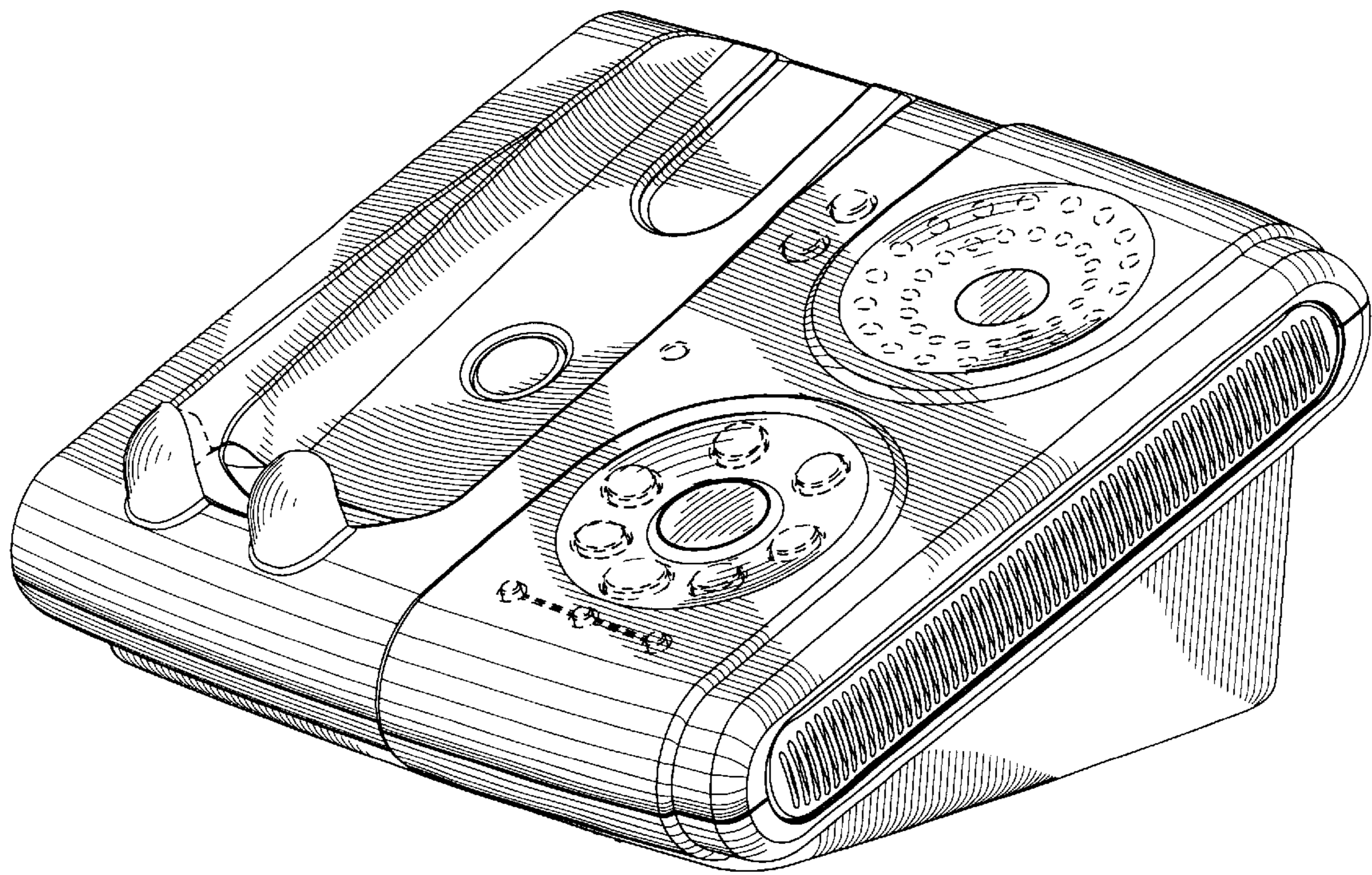
FIG. 6 is a left side view of the cordless telephone base of FIG. 1; and,

FIG. 7 is a right side view of the cordless telephone base of FIG. 1.

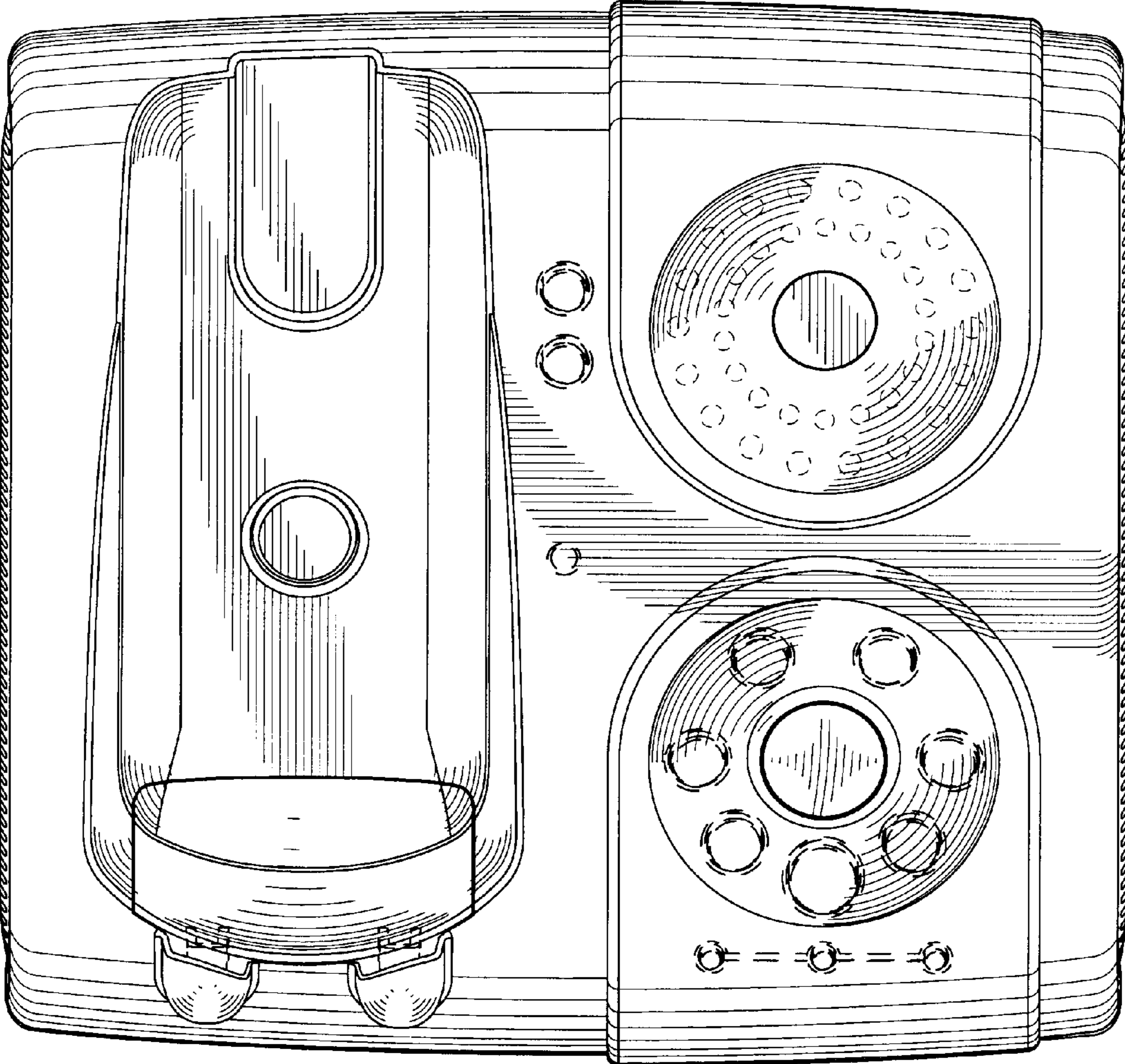
The portions drawn in broken lines are shown for illustrative purposes only and do not form part of the claimed design.

**1 Claim, 5 Drawing Sheets**

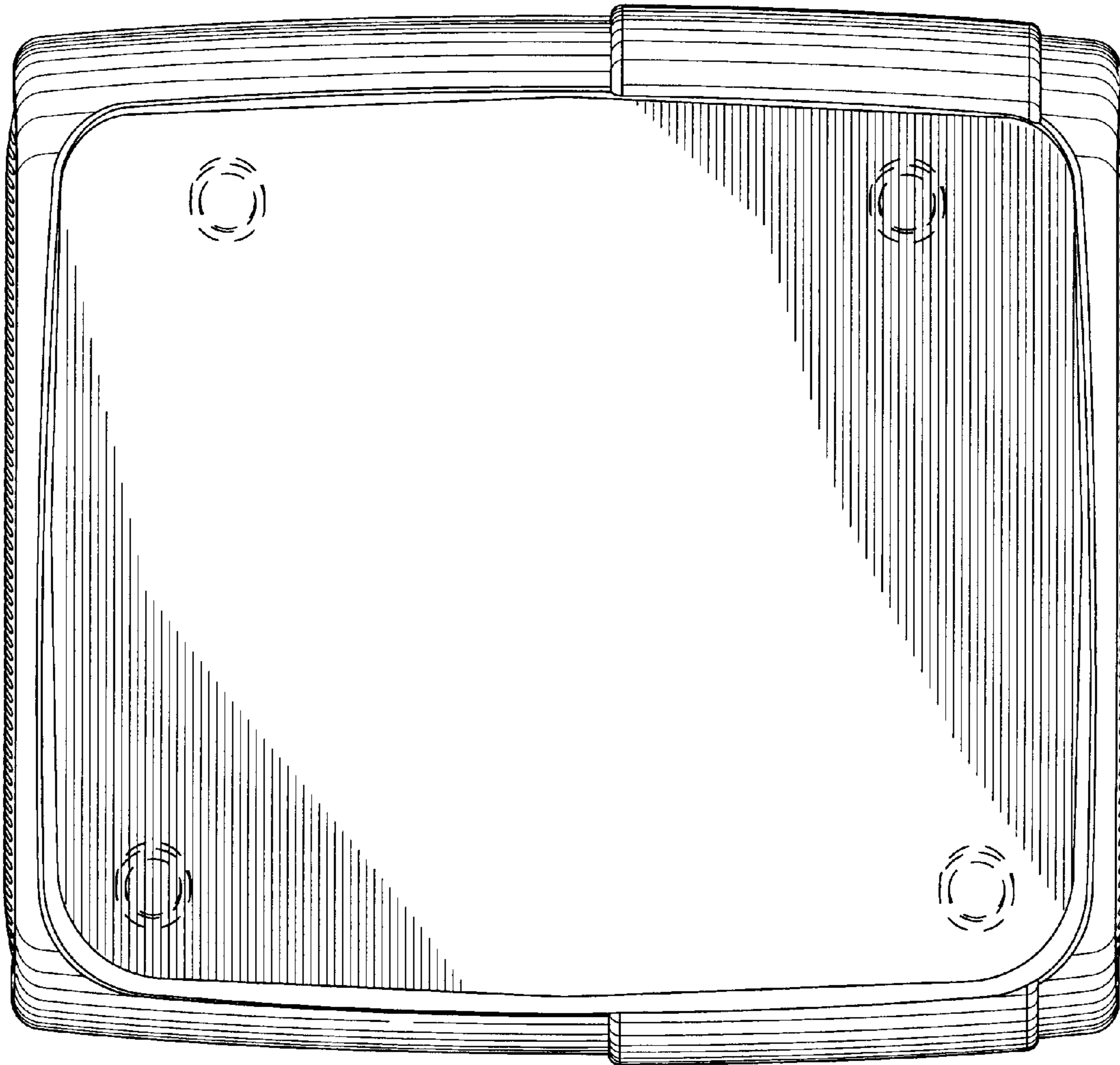




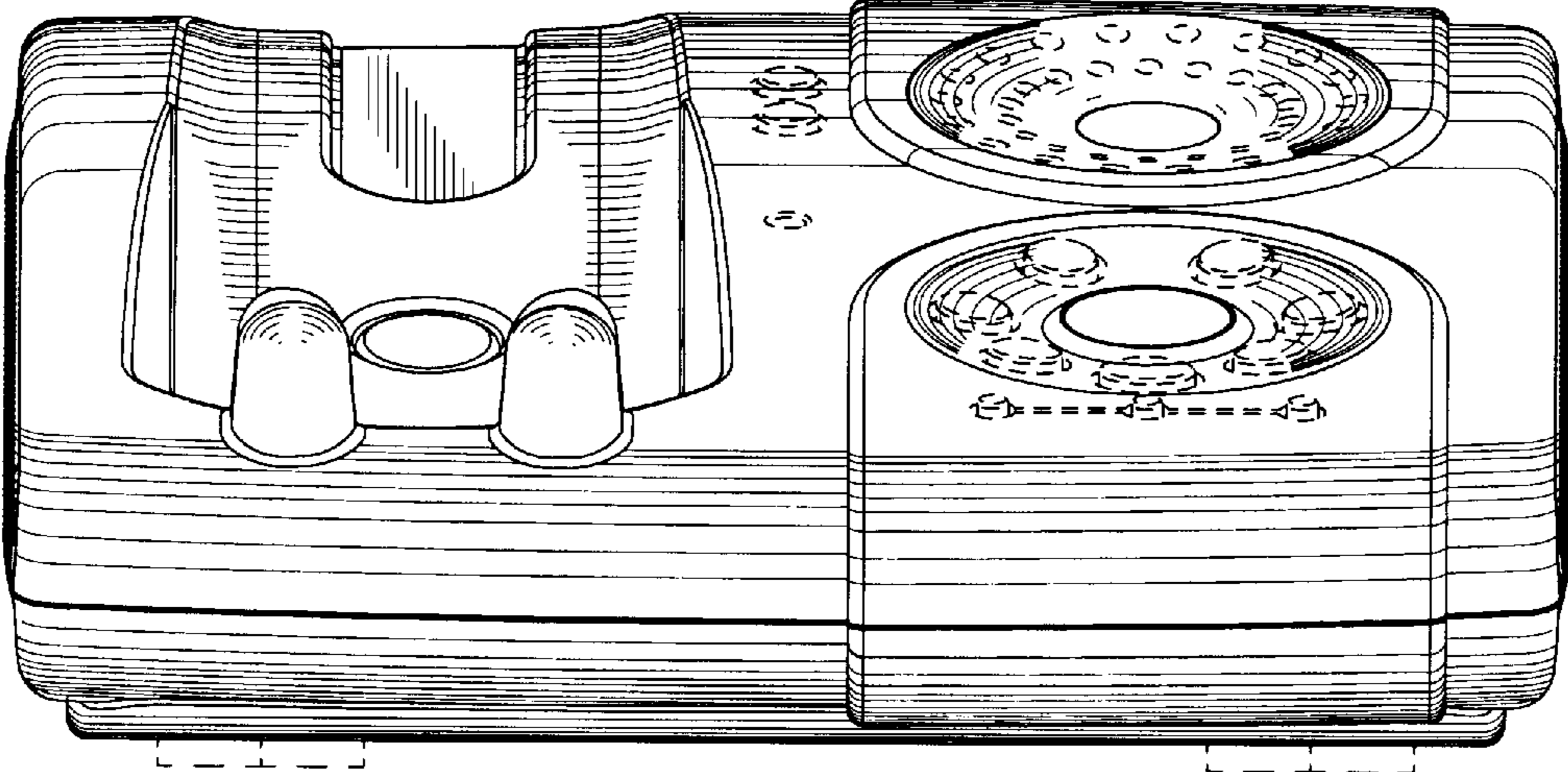
*FIG. 1*



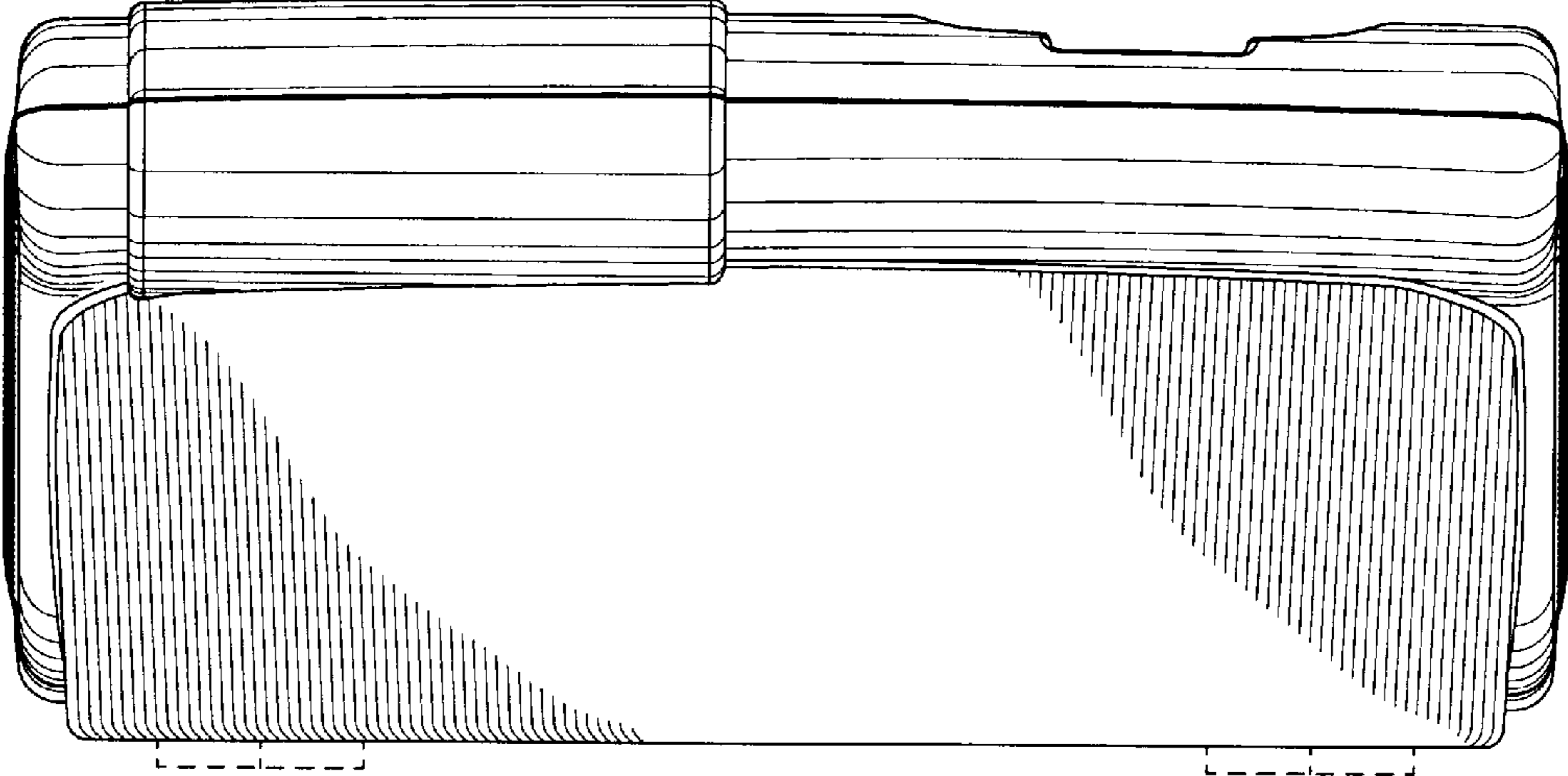
*FIG. 2*



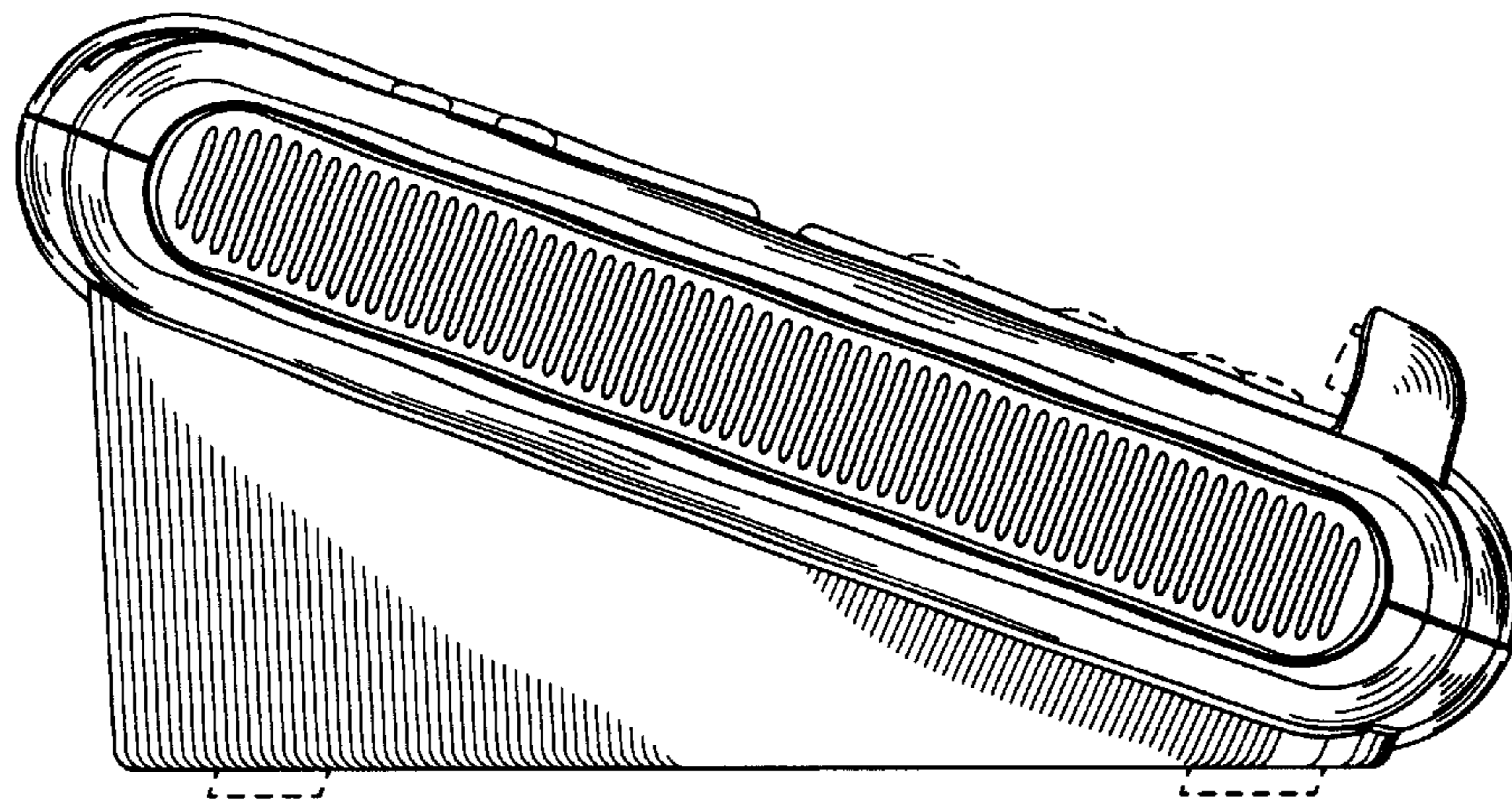
*FIG. 3*



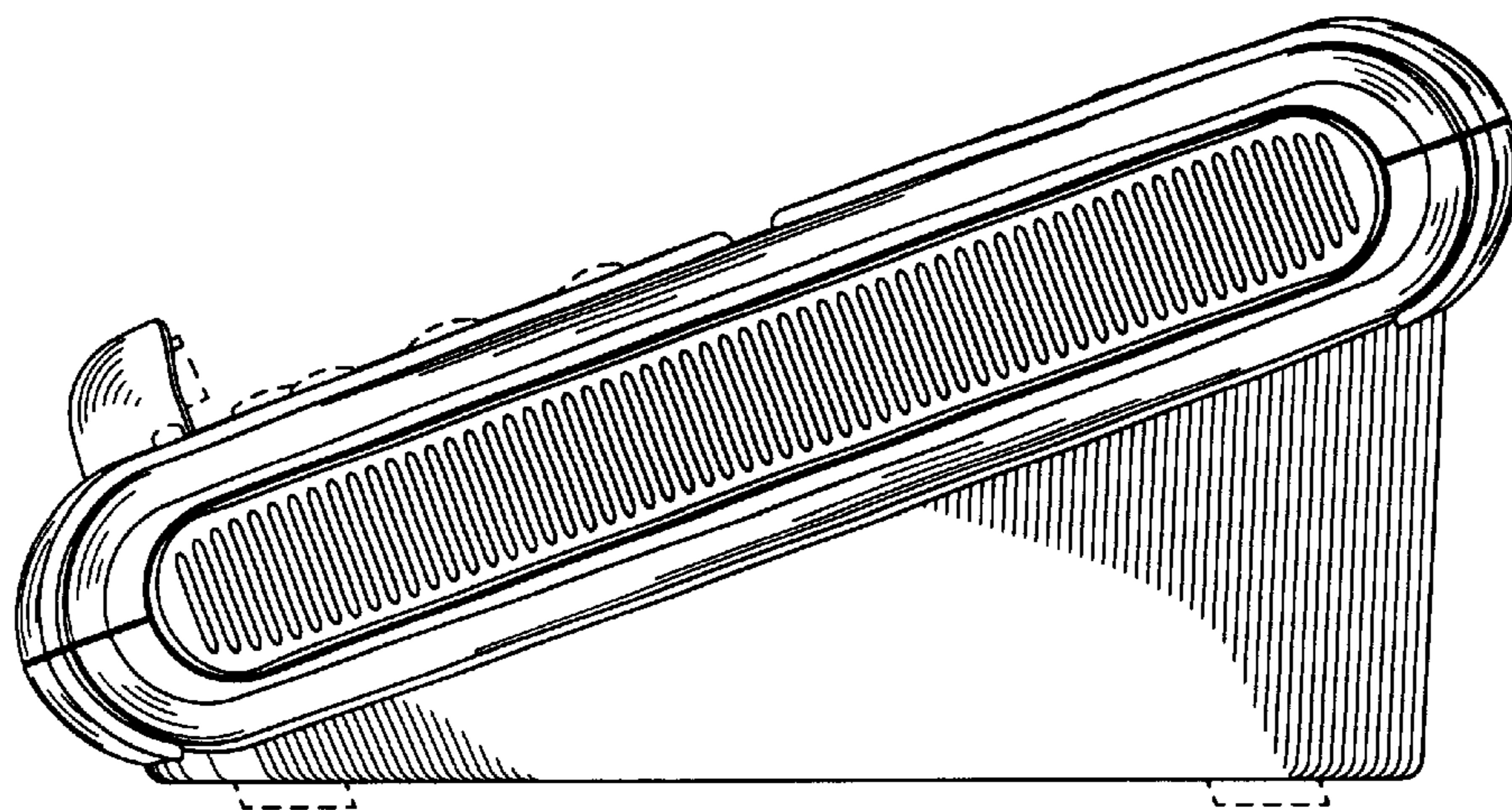
*FIG. 4*



*FIG. 5*



*FIG. 6*



*FIG. 7*