



US00D514537S

(12) **United States Design Patent**
Villalobos et al.

(10) **Patent No.:** **US D514,537 S**

(45) **Date of Patent:** **** Feb. 7, 2006**

(54) **REAR PROJECTION TELEVISION**

D454,846 S	*	3/2002	Goto	D14/129
D457,507 S		5/2002	Lim et al.	
D467,233 S		12/2002	Takemoto et al.	
D473,853 S		4/2003	Inoue et al.	
D485,538 S		1/2004	Goto et al.	

(75) Inventors: **Ernesto Villalobos**, Chula Vista, CA
(US); **Sage Baker**, San Diego, CA
(US); **Masaaki Goto**, Niihama (JP)

(73) Assignee: **Matsushita Electric Industrial Co., Ltd.**, Osaka (JP)

(**) Term: **14 Years**

FOREIGN PATENT DOCUMENTS

JP	D1076543	6/2000
JP	D1121592	9/2001
JP	D1155167	10/2002

(21) Appl. No.: **29/218,683**

(22) Filed: **Dec. 6, 2004**

(51) **LOC (8) Cl.** **14-03**

(52) **U.S. Cl.** **D14/128**

(58) **Field of Classification Search** D14/125-134,
D14/239, 371, 382, 374-377; 312/7.2; 348/836,
348/838, 180, 184, 325, 739, 825; 341/12;
248/917-924; 345/104, 133, 156, 168, 87,
345/173; 353/74; D21/325

See application file for complete search history.

OTHER PUBLICATIONS

Good Guys catalog, p. 10, 2003.*
Good Guys catalog, rear cover, 2001.*

* cited by examiner

Primary Examiner—Raphael Barkai

(74) *Attorney, Agent, or Firm*—Brinks Hofer Gilson & Lione

(57) **CLAIM**

We claim the ornamental design for a rear projection television, as shown and described.

(56) **References Cited**

U.S. PATENT DOCUMENTS

D269,677 S	*	7/1983	Kashima et al.	D14/134
D306,464 S	*	3/1990	Axtell	D21/325
D313,431 S	*	1/1991	Jaskiel et al.	D14/371
D324,517 S	*	3/1992	Barbieri	D14/126
D368,087 S		3/1996	Gioscia	
D376,588 S	*	12/1996	Shinano	D14/374
D381,651 S	*	7/1997	Banik et al.	D14/382
D389,462 S	*	1/1998	Johns et al.	D14/375
D394,248 S	*	5/1998	Duan	D14/375
5,929,945 A	*	7/1999	Negishi et al.	348/825
D416,005 S	*	11/1999	Paek	D14/379
D417,659 S	*	12/1999	Takemasa	D14/374
D418,832 S		1/2000	Tsuge	
D429,486 S	*	8/2000	Aeschbacher et al.	D14/377
D431,232 S		9/2000	Yokoyama et al.	
D441,732 S		5/2001	Ota	

DESCRIPTION

FIG. 1 is a front perspective view of a rear projection television of the present invention; FIG. 2 is a rear perspective view thereof; FIG. 3 is a front view thereof; FIG. 4 is a first side view thereof; FIG. 5 is a rear view thereof; FIG. 6 is a second side view thereof; FIG. 7 is a top view thereof; and, FIG. 8 is a bottom view thereof.

The ornamental design which is claimed is shown in solid lines in the drawings. Any broken lines in the drawings are for illustrative purposes only and form no part of the claimed design.

1 Claim, 4 Drawing Sheets

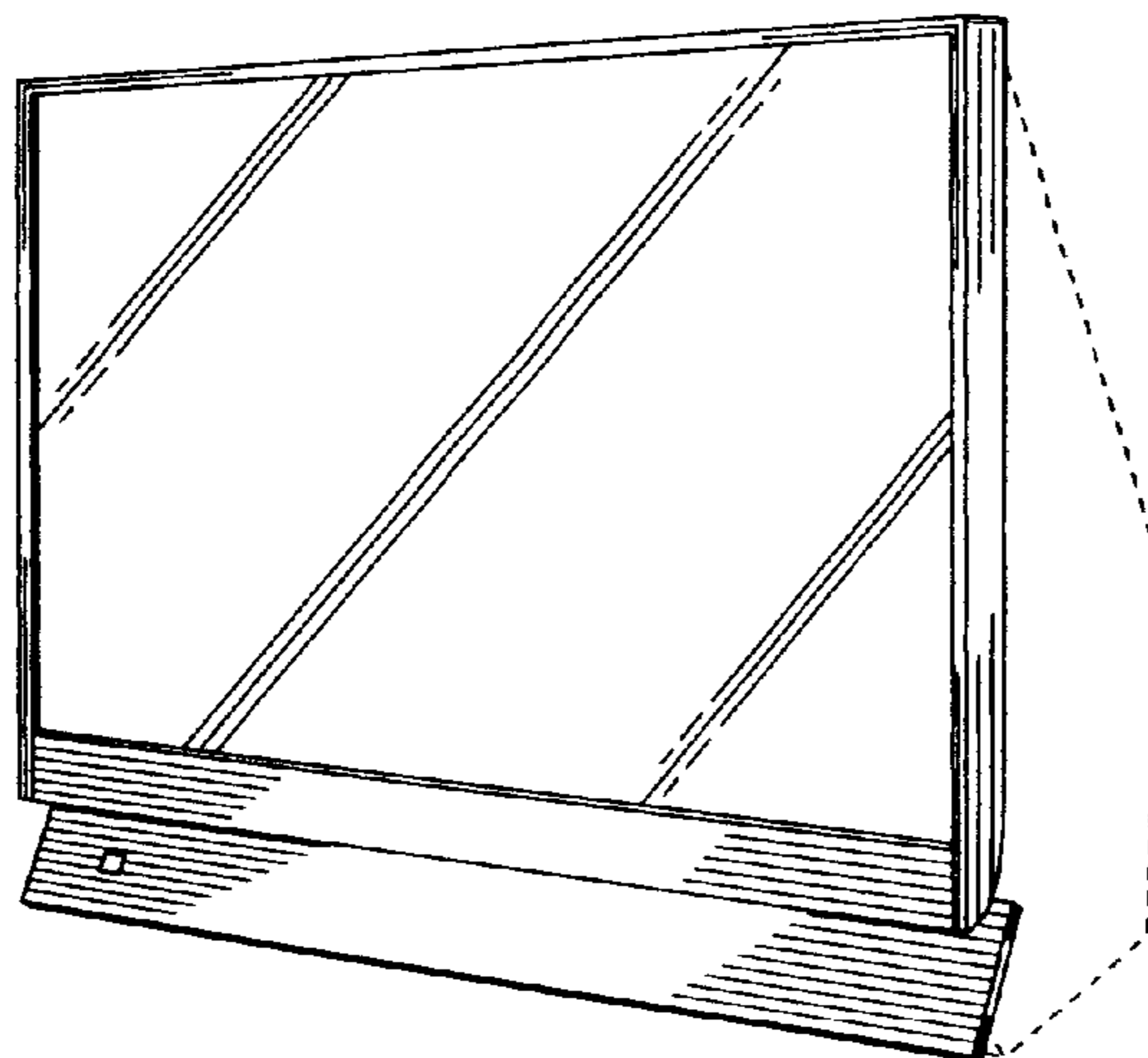


Fig.1

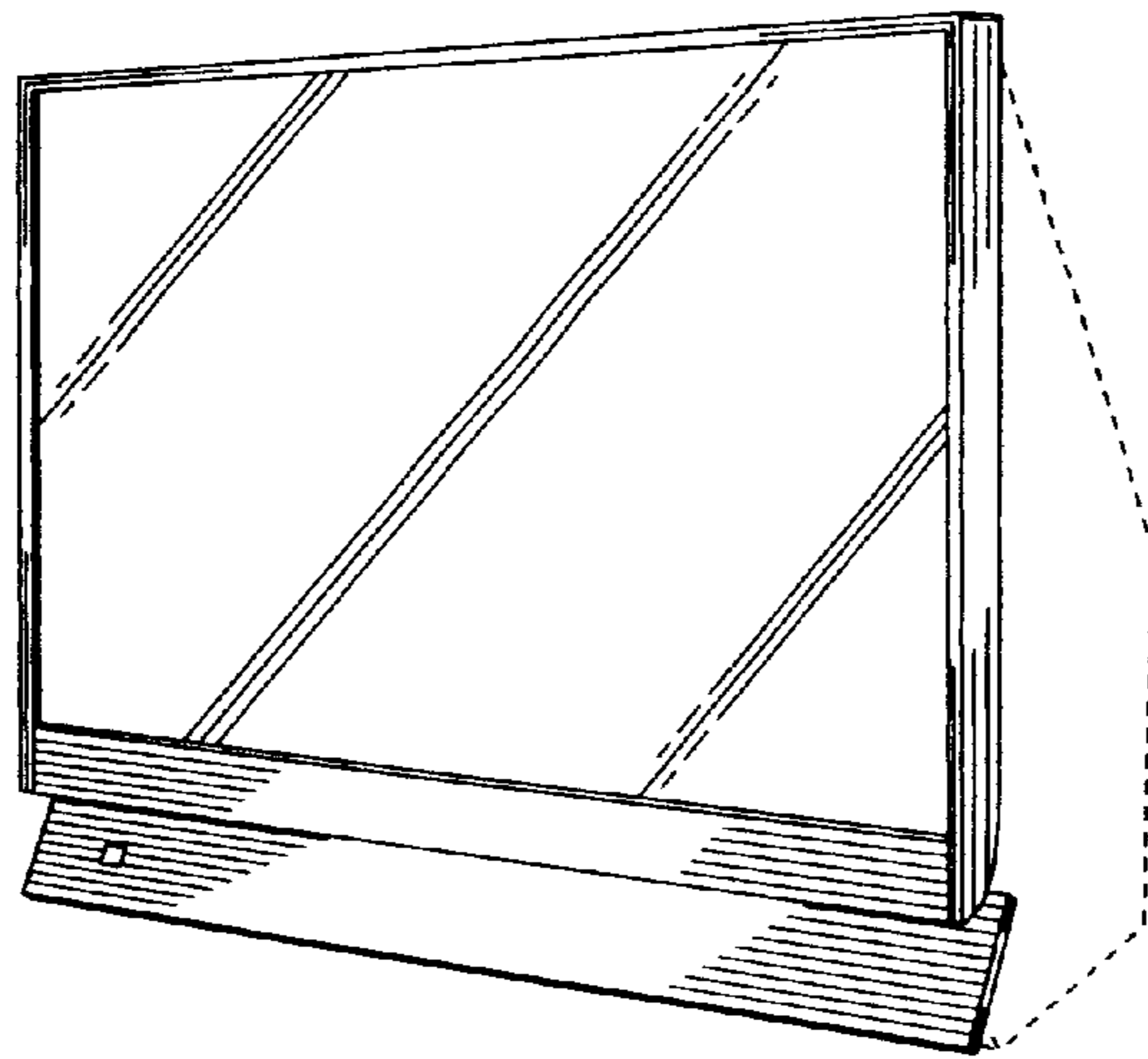


Fig.2

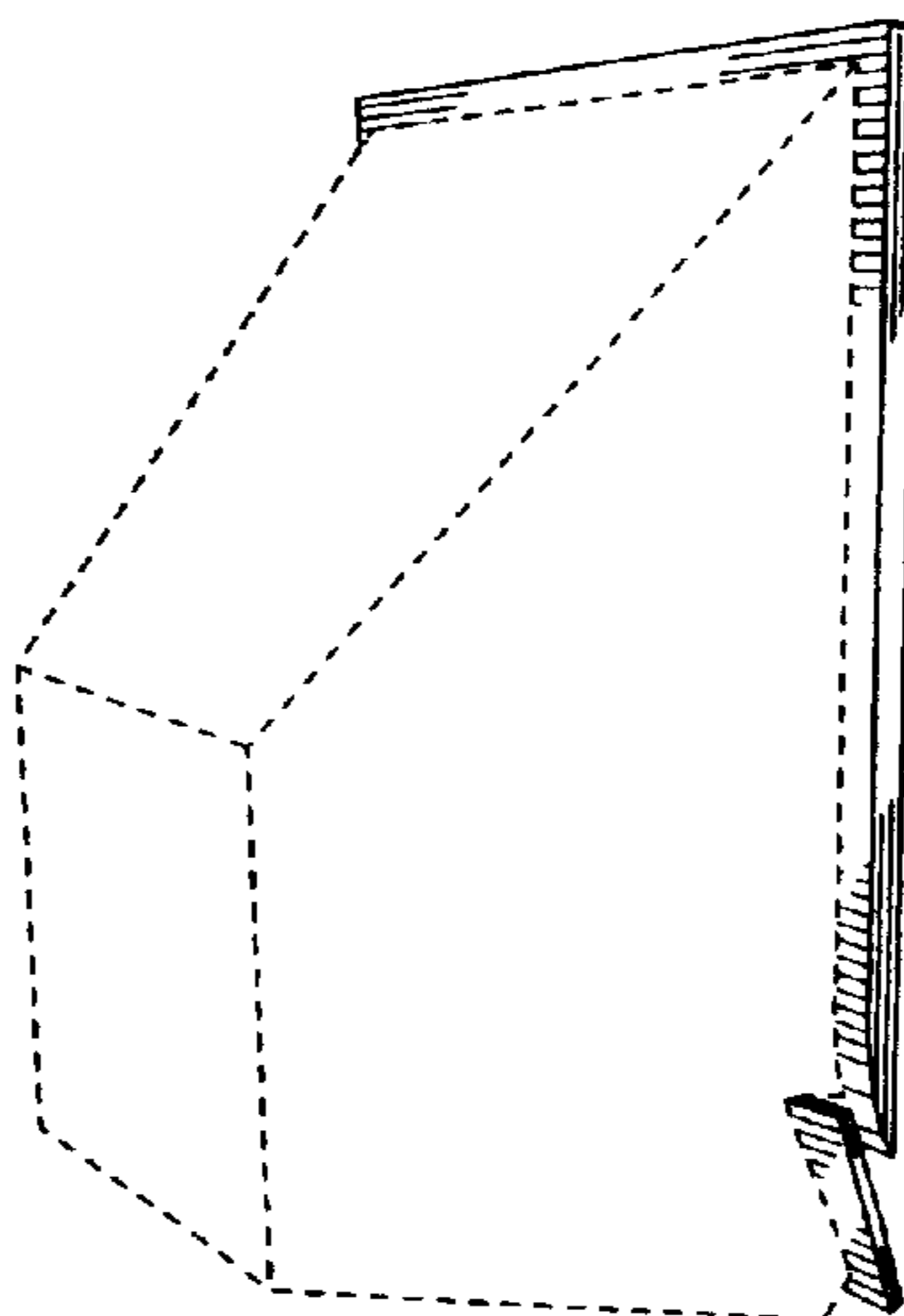


Fig.3

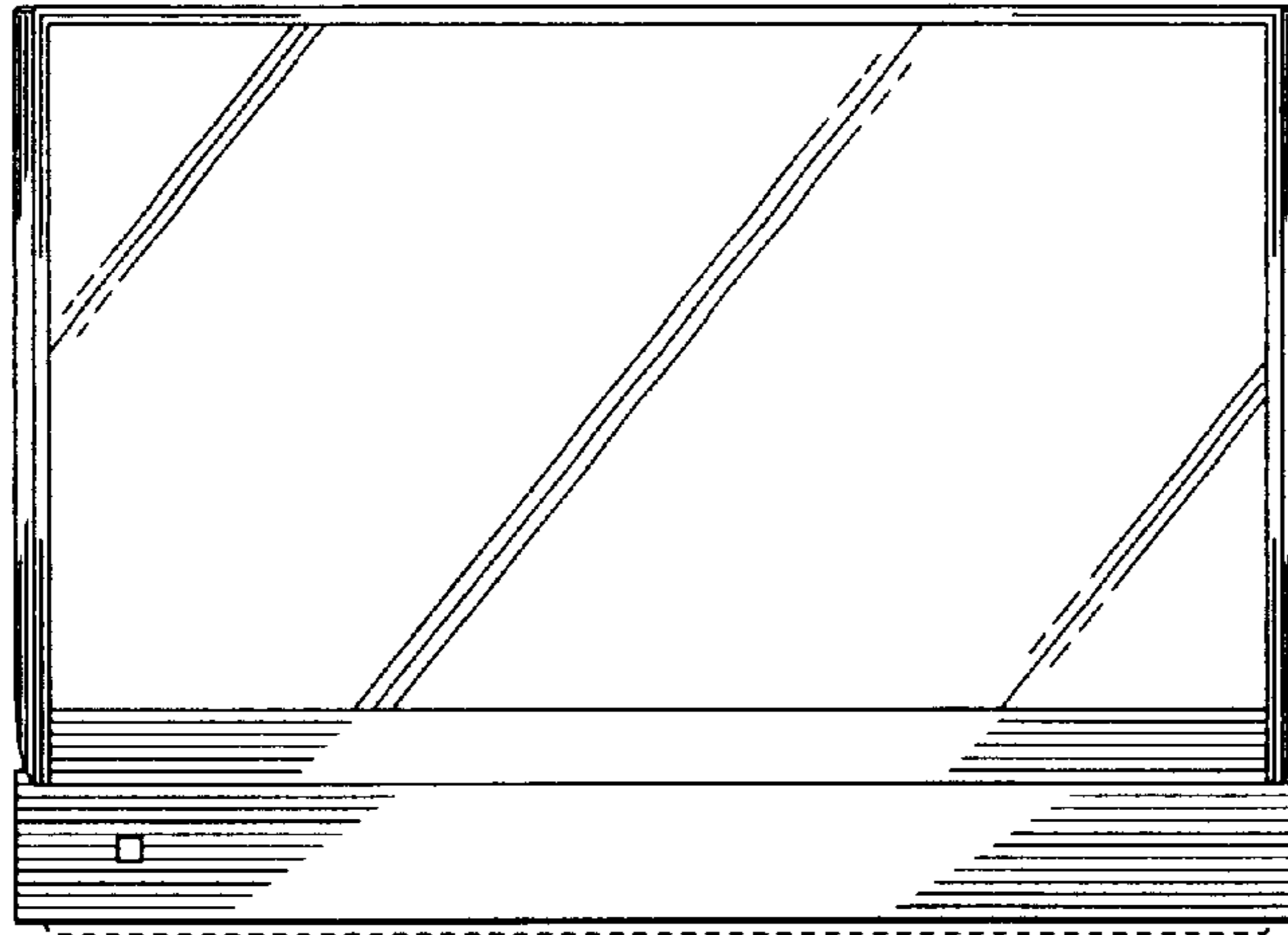


Fig.4

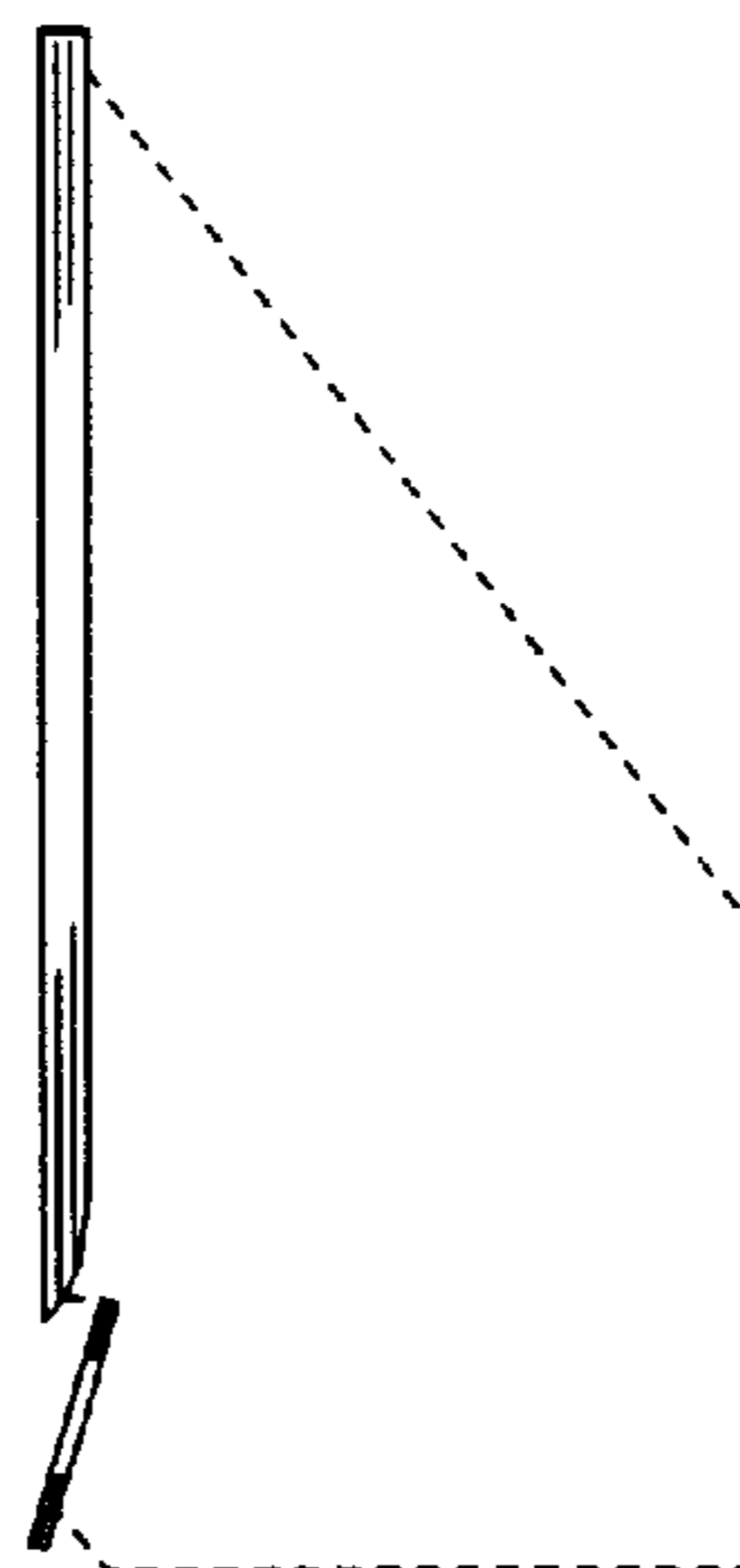


Fig.5

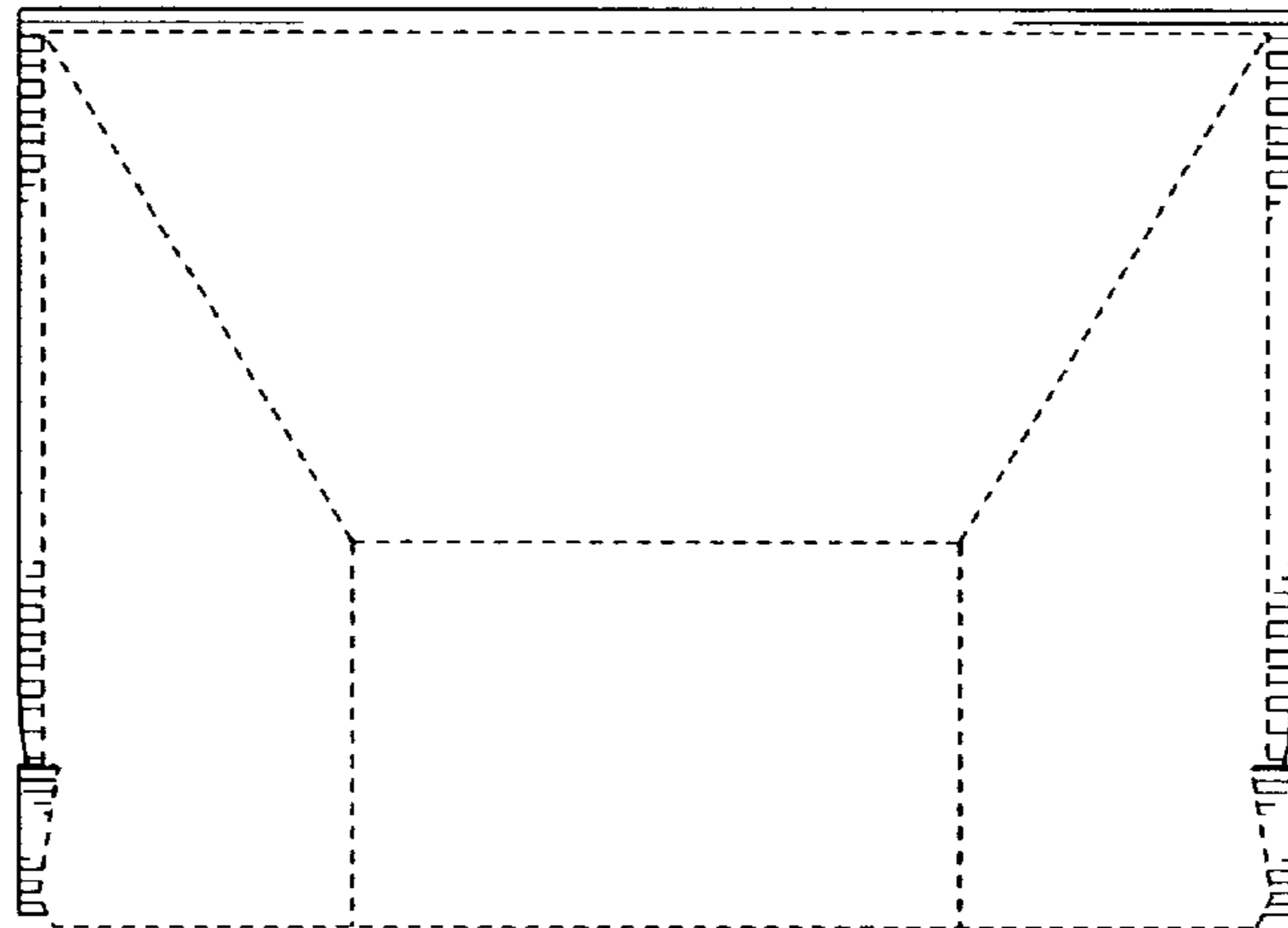


Fig.6

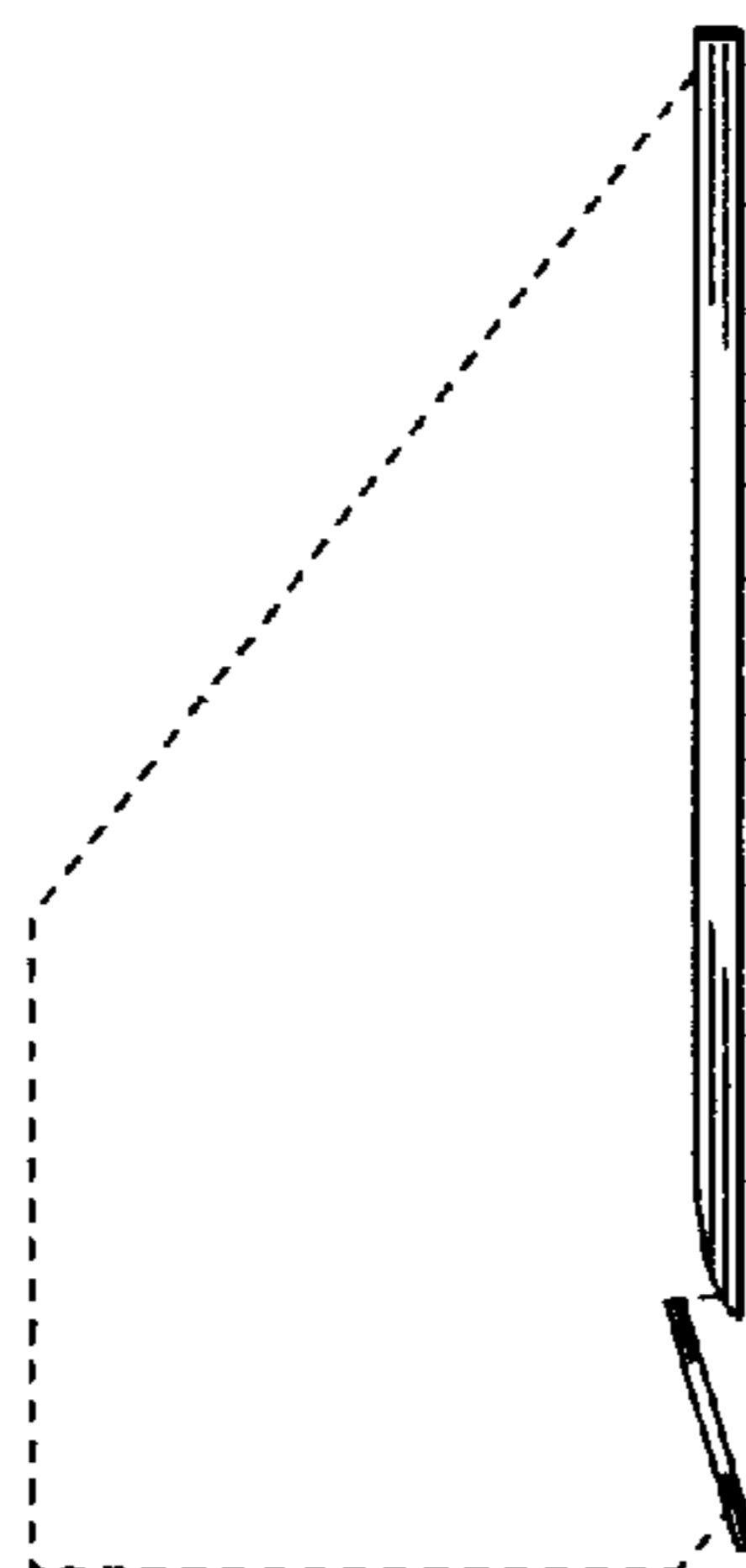


Fig7

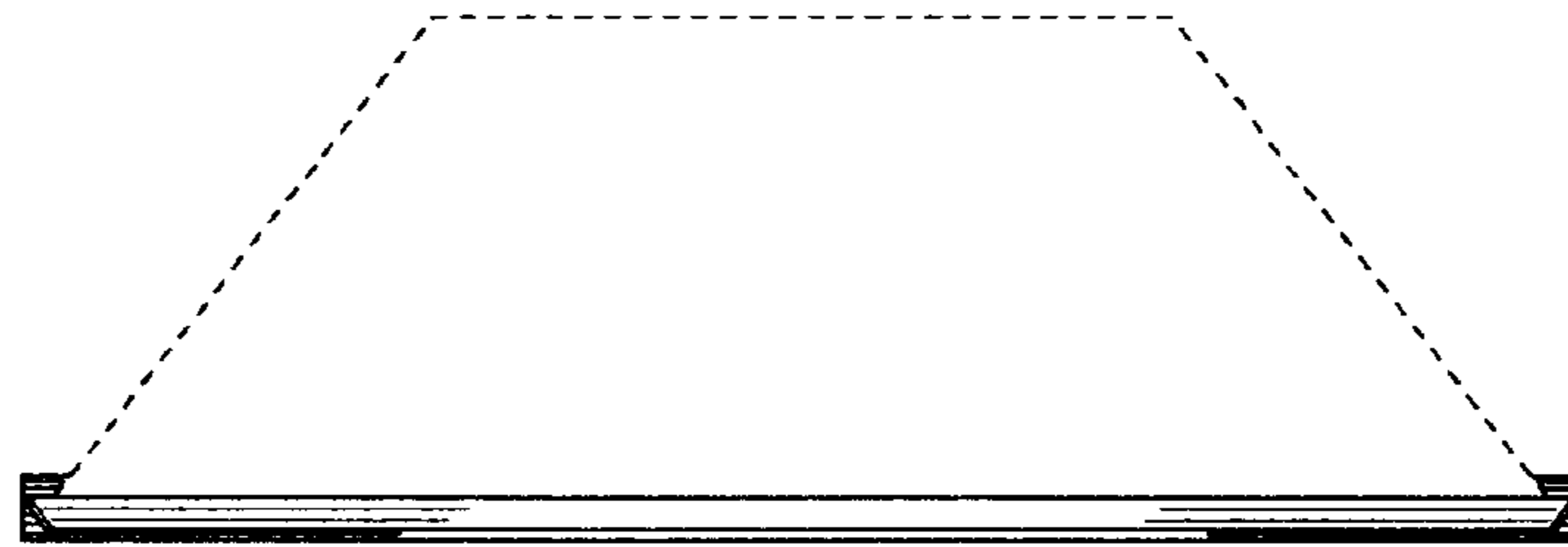


Fig.8

