



US00D514534S

(12) **United States Design Patent**
Yoo et al.

(10) **Patent No.:** **US D514,534 S**
(45) **Date of Patent:** **** Feb. 7, 2006**

- (54) **PROJECTION TELEVISION**
- (75) Inventors: **Seh Dong Yoo**, Seoul (KR); **Sung Gu Joe**, Seoul (KR)
- (73) Assignee: **LG Electronics Inc.**, Seoul (KR)
- (**) Term: **14 Years**
- (21) Appl. No.: **29/218,310**
- (22) Filed: **Dec. 1, 2004**
- (30) **Foreign Application Priority Data**
Jun. 2, 2004 (KR) 2004-0016326
- (51) **LOC (8) Cl.** **14-03**
- (52) **U.S. Cl.** **D14/128**
- (58) **Field of Classification Search** D14/125-134,
D14/239, 371, 374-376; 312/7.2; 348/836,
348/838, 180, 184, 325, 739; 341/12; 248/917-924;
345/104, 133, 156, 168, 87, 173; 353/74
See application file for complete search history.

- D438,518 S * 3/2001 Kanatani et al. D14/126
- D441,732 S * 5/2001 Ota D14/126
- D446,519 S * 8/2001 Wu D14/375
- D497,599 S * 10/2004 Kita D14/126
- D499,386 S * 12/2004 Yang D14/126

OTHER PUBLICATIONS

Frontgate—Gentlemen’s Domain, p. 17, 2002.*

* cited by examiner

Primary Examiner—Raphael Barkai

(74) *Attorney, Agent, or Firm*—Birch, Stewart, Kolasch & Birch, LLP

(56) **References Cited**
U.S. PATENT DOCUMENTS

- D387,041 S * 12/1997 Horiki et al. D14/374
- D391,241 S * 2/1998 Cho D14/382
- D398,911 S * 9/1998 Lin D14/375
- D413,595 S * 9/1999 Arie D14/126

(57) **CLAIM**

The ornamental design for a projection television, as shown.

DESCRIPTION

FIG. 1 is a front, right perspective view of the projection television showing our new design; FIG. 2 is a front view thereof; FIG. 3 is a rear view thereof; FIG. 4 is a left side view thereof; FIG. 5 is a right side view thereof; FIG. 6 is a top view thereof; and, FIG. 7 is a bottom view thereof.

1 Claim, 5 Drawing Sheets

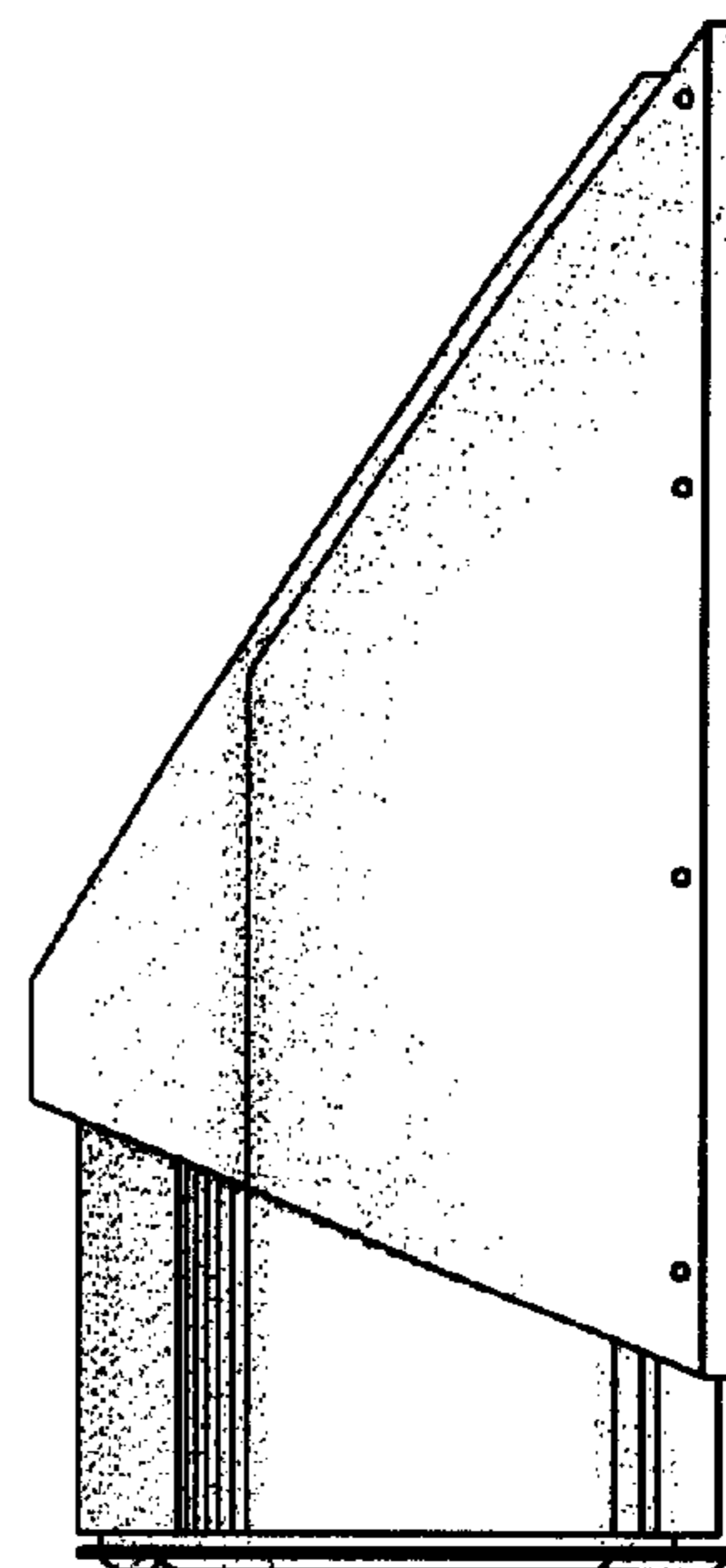
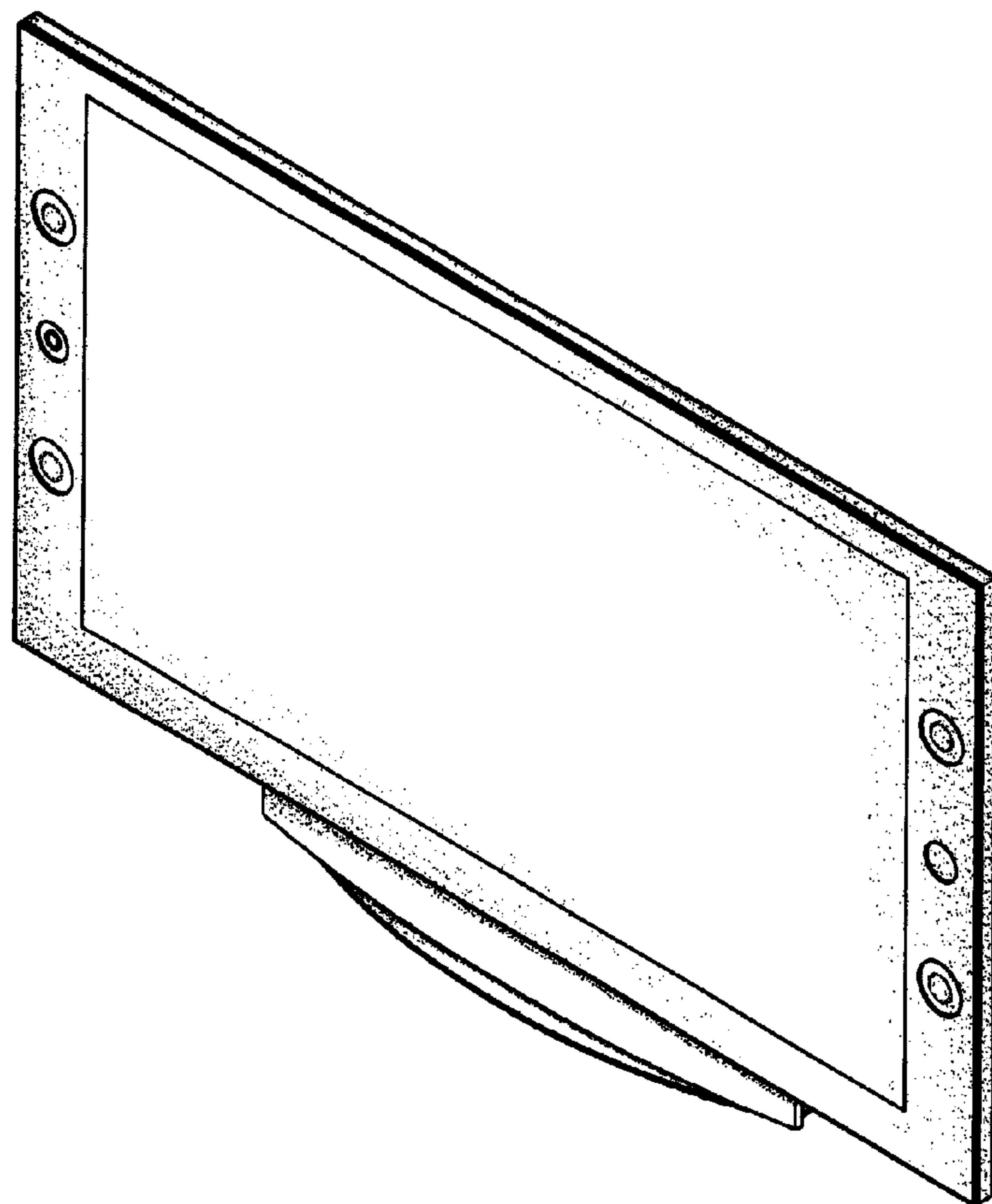


Fig. 1

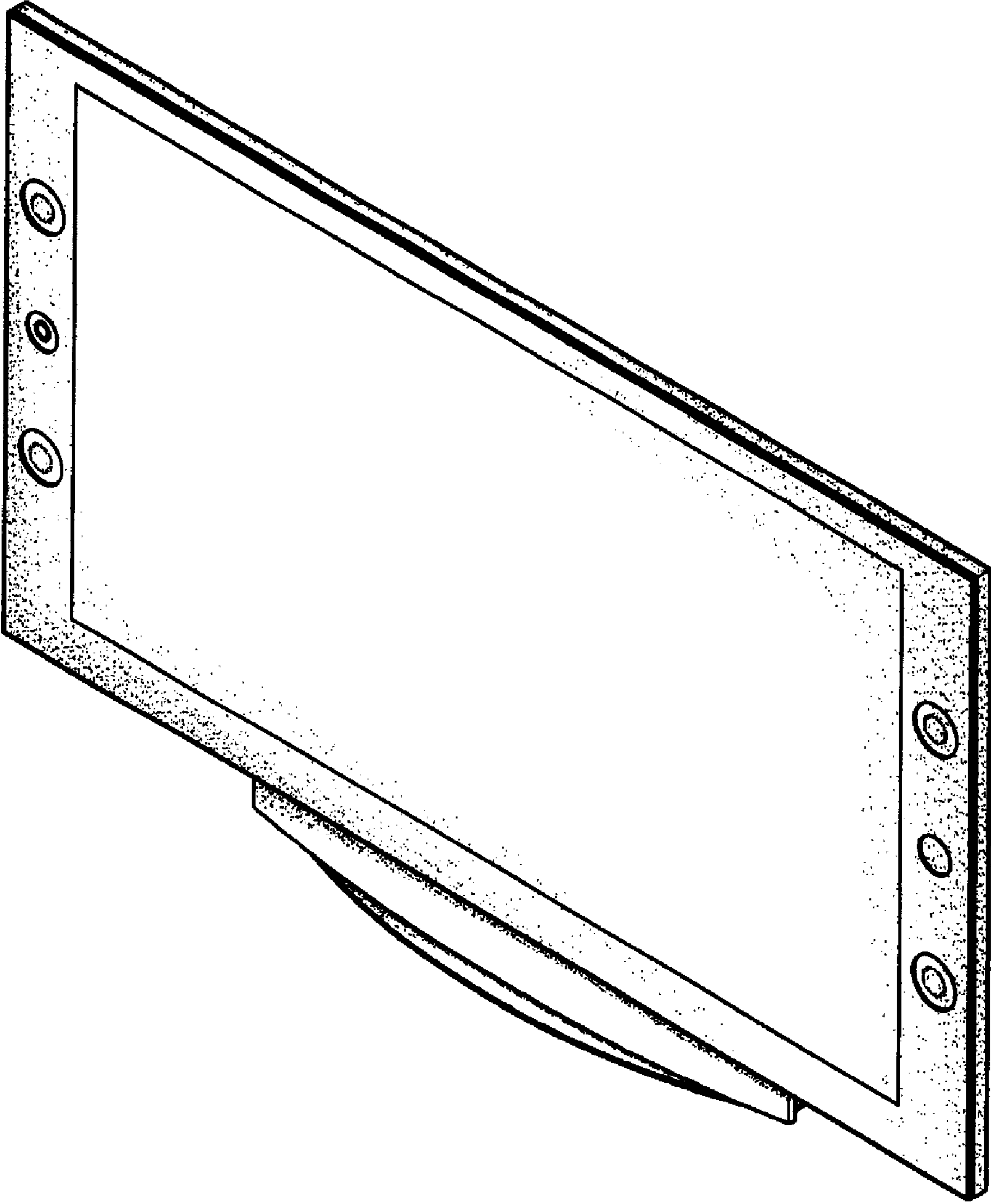


Fig. 2

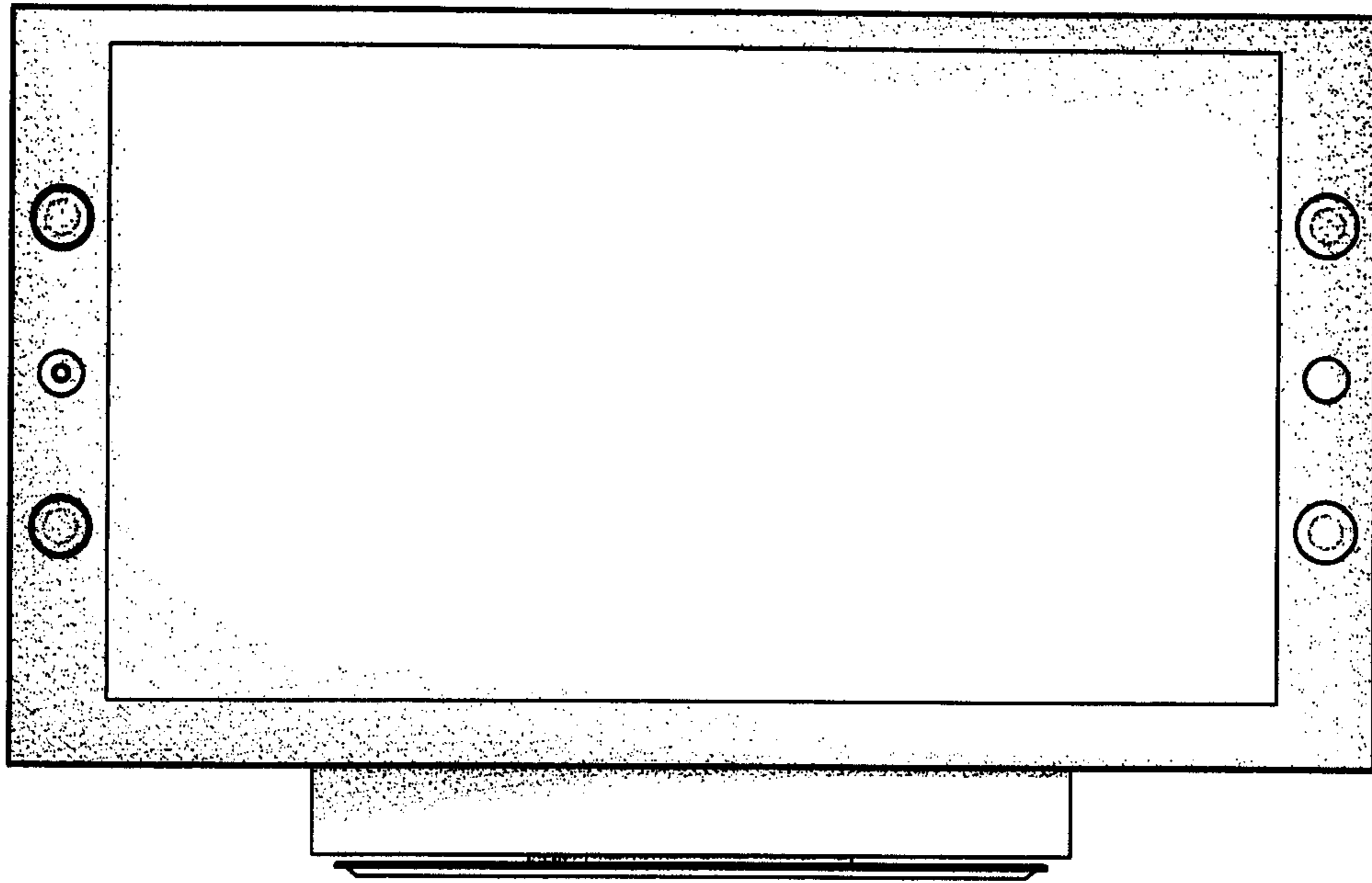


Fig. 3

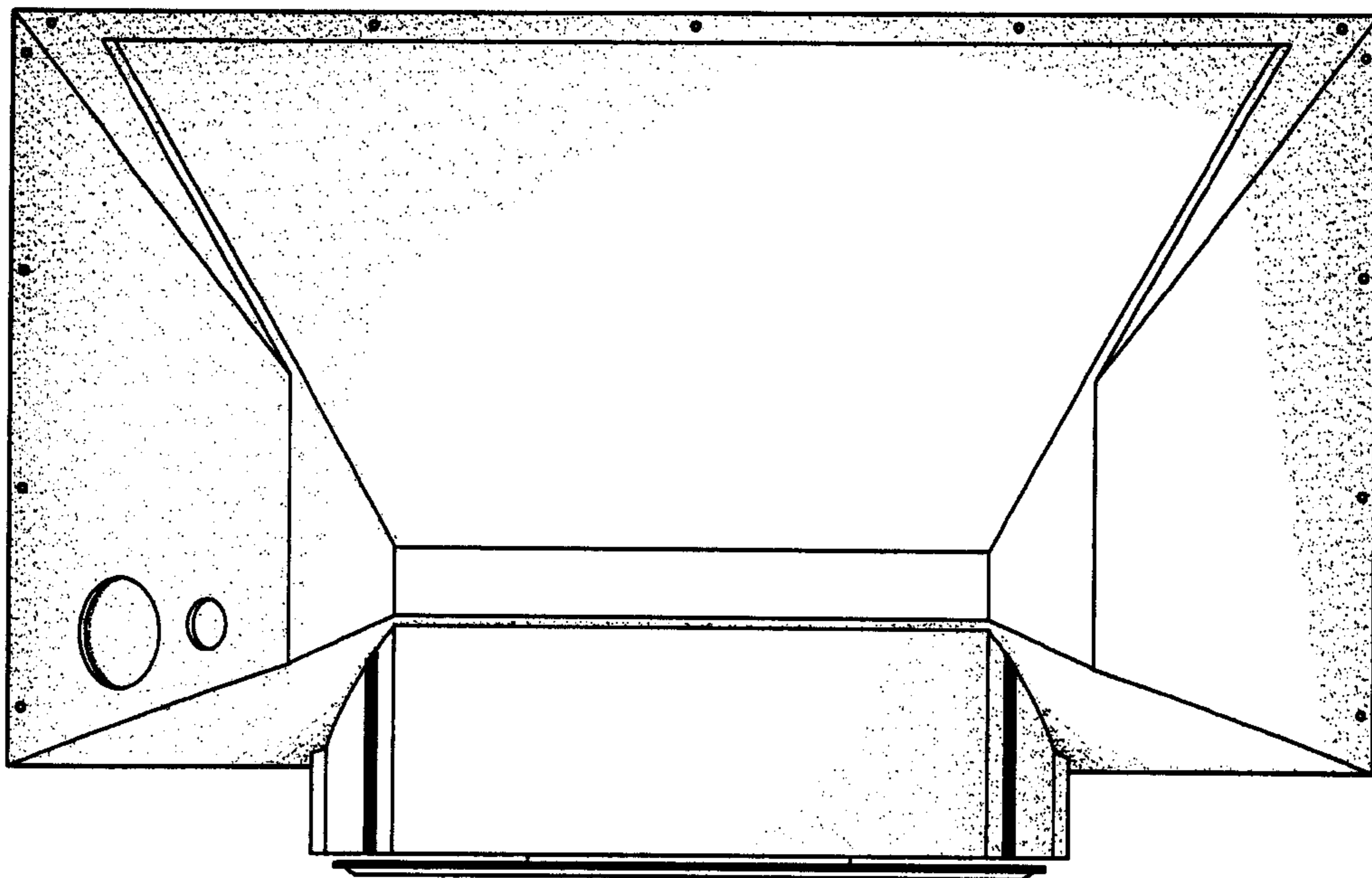


Fig. 4

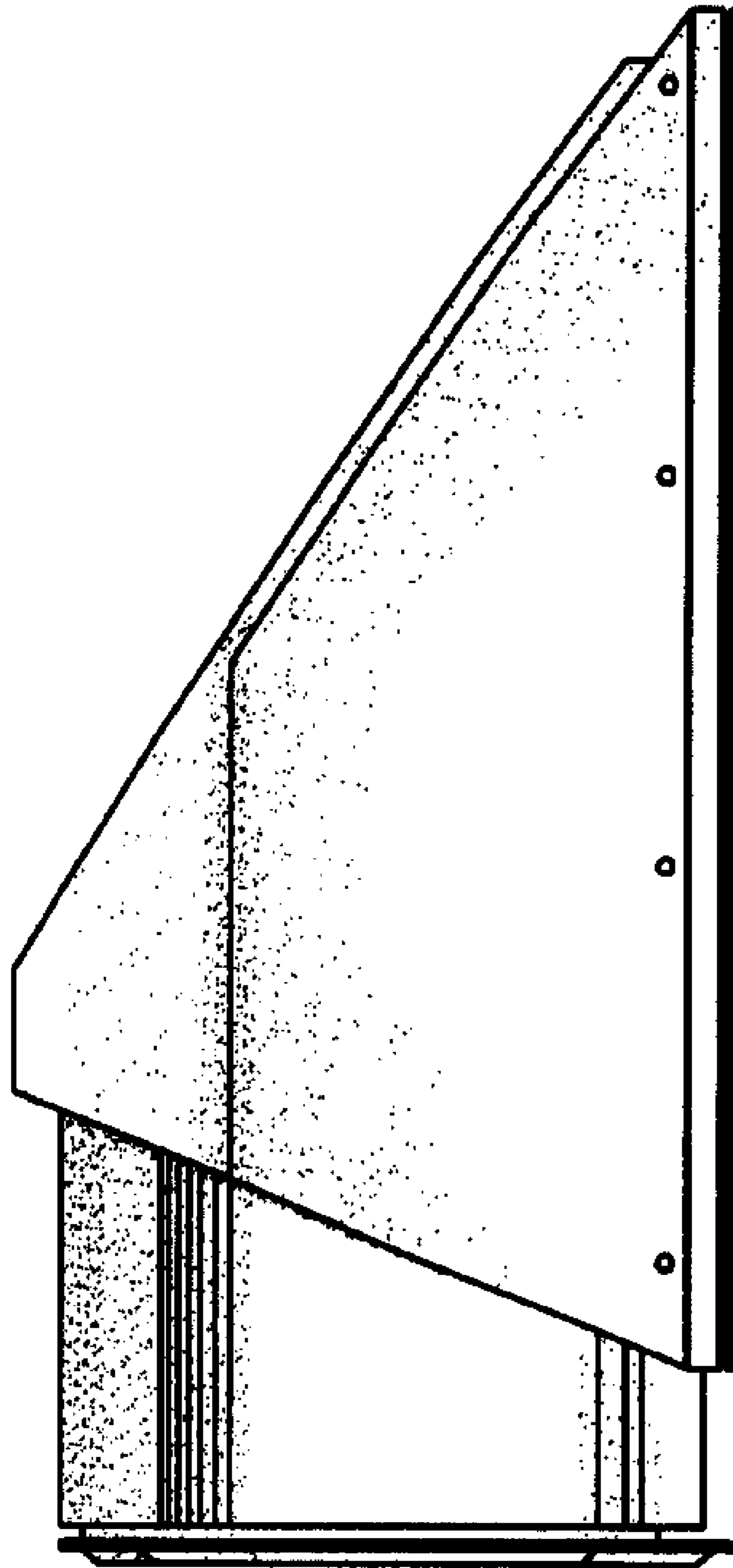


Fig. 5

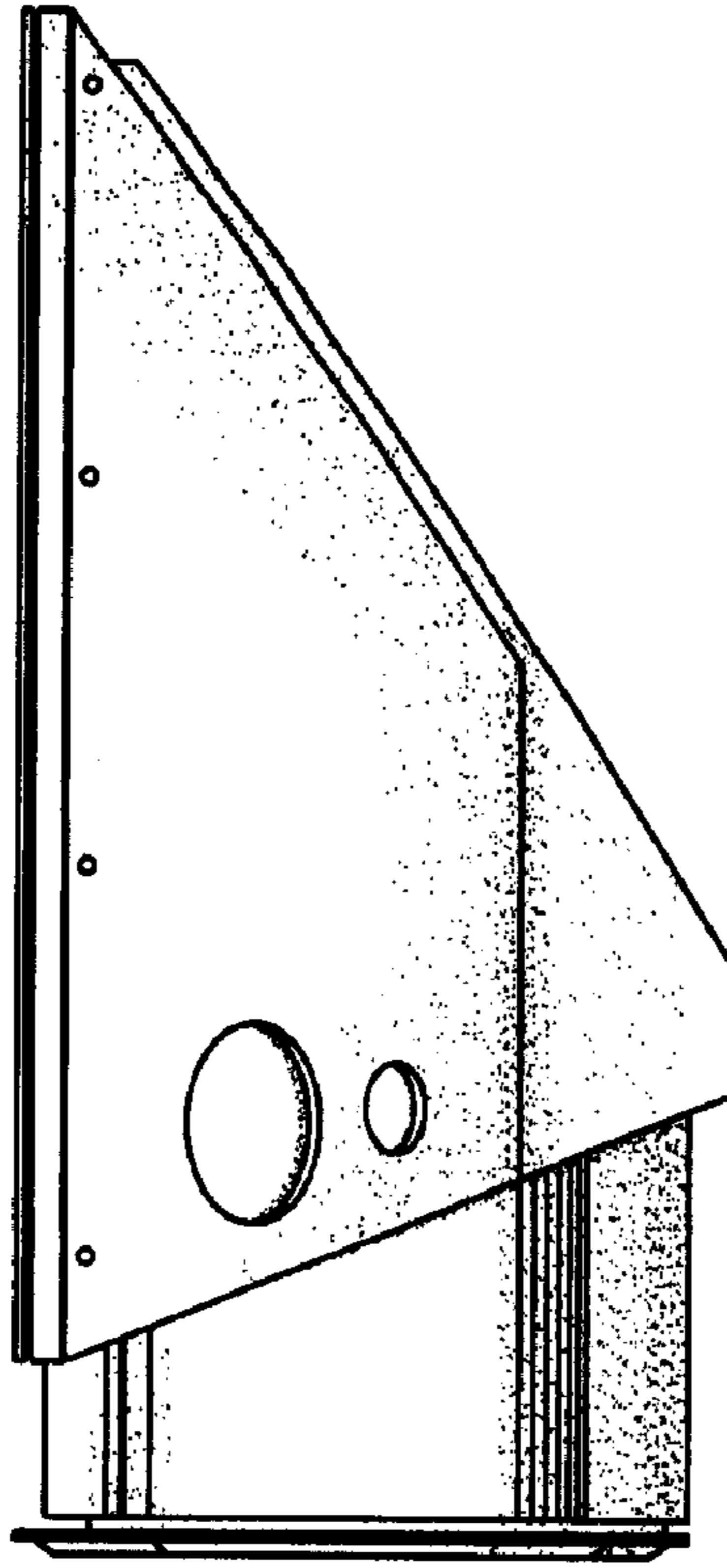


Fig. 6

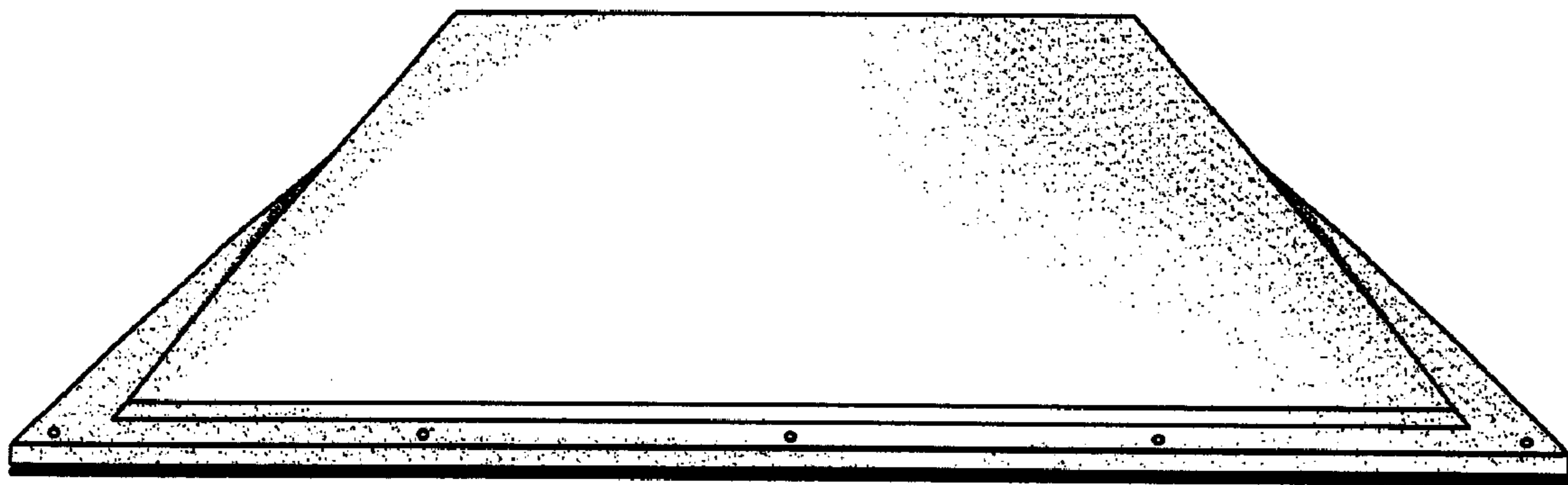


Fig. 7

