

US00D514533S

(12) **United States Design Patent**
Sugiyama et al.

(10) **Patent No.:** **US D514,533 S**
(45) **Date of Patent:** **** Feb. 7, 2006**

(54) **NOISE ABSORBER**

FOREIGN PATENT DOCUMENTS

(75) Inventors: **Hiroyuki Sugiyama**, Sendai (JP);
Takayuki Osada, Natori (JP)

JP 867319 2/1993

* cited by examiner

(73) Assignee: **NEC Tokin Corporation**, Miyagi (JP)

Primary Examiner—Prabhakar Deshmukh

Assistant Examiner—Selina Sikder

(**) Term: **14 Years**

(74) *Attorney, Agent, or Firm*—Frishauf, Holtz, Goodman & Chick, PC

(21) Appl. No.: **29/183,408**

(57) **CLAIM**

(22) Filed: **Jun. 10, 2003**

The ornamental design for a noise absorber, as shown and described.

(30) **Foreign Application Priority Data**

Dec. 11, 2002 (JP) 2002-359121

DESCRIPTION

(51) **LOC (8) Cl.** **13-03**

FIG. 1 is a front elevational view of a noise absorber showing our new design, the rear elevational view being a mirror image thereof;

(52) **U.S. Cl.** **D13/199**

FIG. 2 is a right side elevational view thereof;

FIG. 3 is a left side elevational view thereof;

(58) **Field of Classification Search** D13/199;

174/92; 333/12; 336/92, 176

FIG. 4 is a top plan view thereof;

FIG. 5 is a bottom plan view thereof;

See application file for complete search history.

FIG. 6 is a sectional view thereof along line 6—6 in FIG. 1;

(56) **References Cited**

U.S. PATENT DOCUMENTS

4,972,167 A * 11/1990 Fujioka 336/92

5,355,109 A * 10/1994 Yamazaki 336/92

5,900,796 A * 5/1999 Parker 336/92

5,942,964 A * 8/1999 Takeuchi 336/92

6,078,241 A * 6/2000 Watanabe et al. 336/92

6,285,265 B1 * 9/2001 Morita et al. 333/12

6,515,230 B1 * 2/2003 Hirakawa et al. 174/92

6,559,748 B1 * 5/2003 Nakano 336/176

FIG. 7 is a sectional view thereof along line 7—7 in FIG. 4;

FIG. 8 is a front elevational view thereof in a closed state, the rear elevational view being a mirror image thereof;

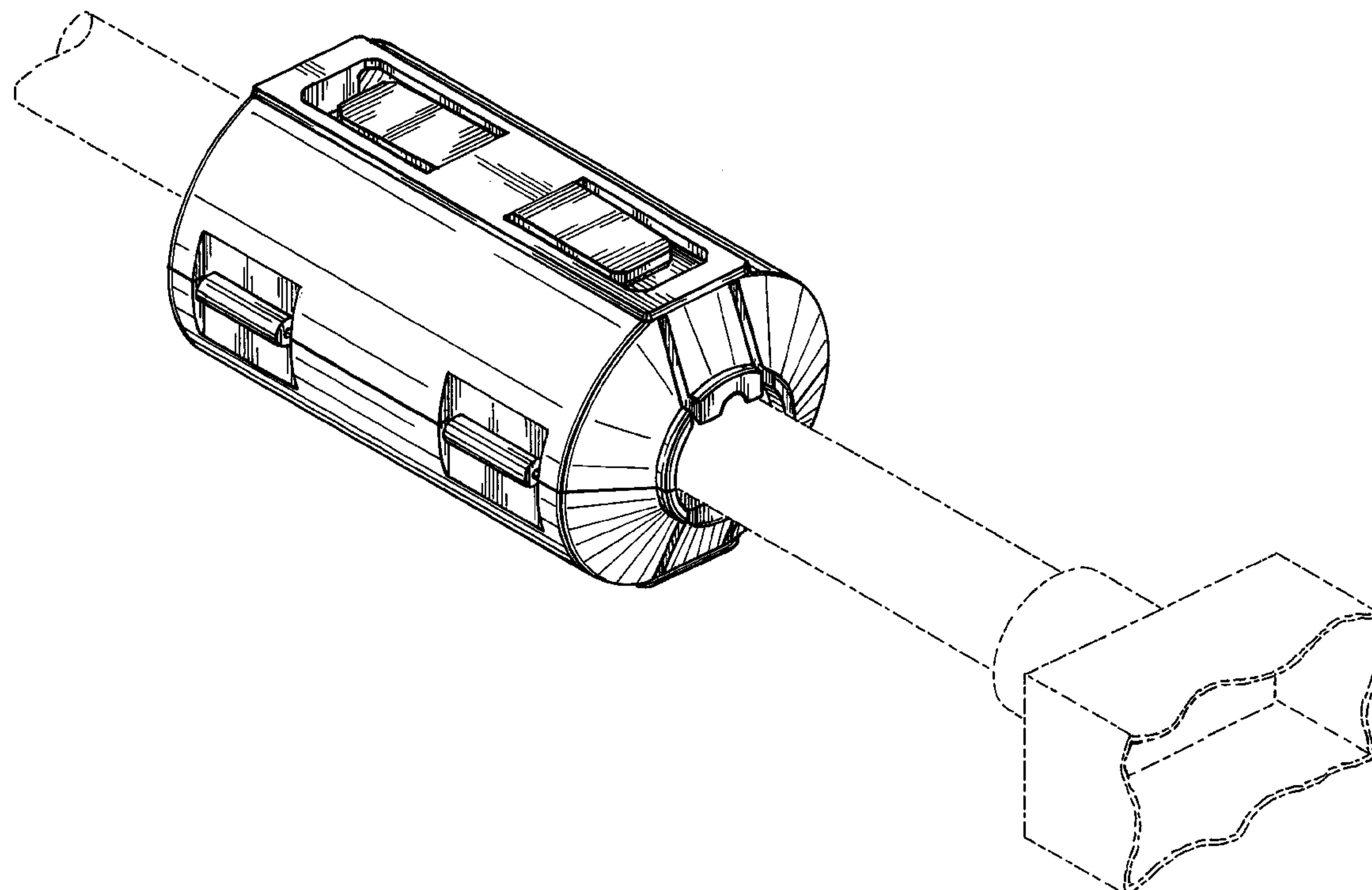
FIG. 9 is a left side elevational view thereof in a closed state;

FIG. 10 is a top plan view thereof in a closed state; and,

FIG. 11 is a top, rear, right side perspective view thereof, showing the noise absorber as used with an electric cable.

The broken line showing in FIG. 11 is for illustrative purposes only and forms no part of the claimed design.

1 Claim, 6 Drawing Sheets



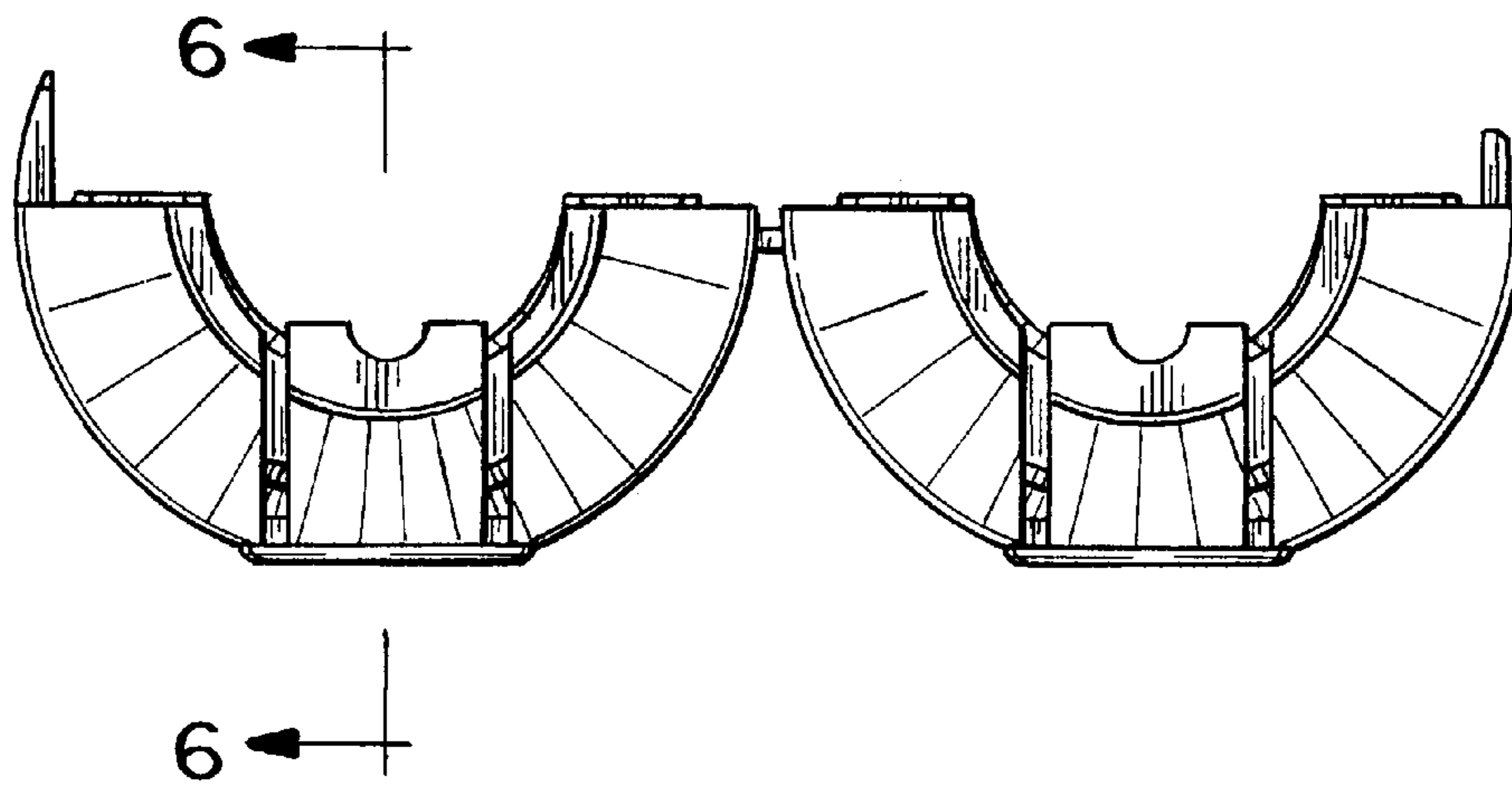


FIG. 1

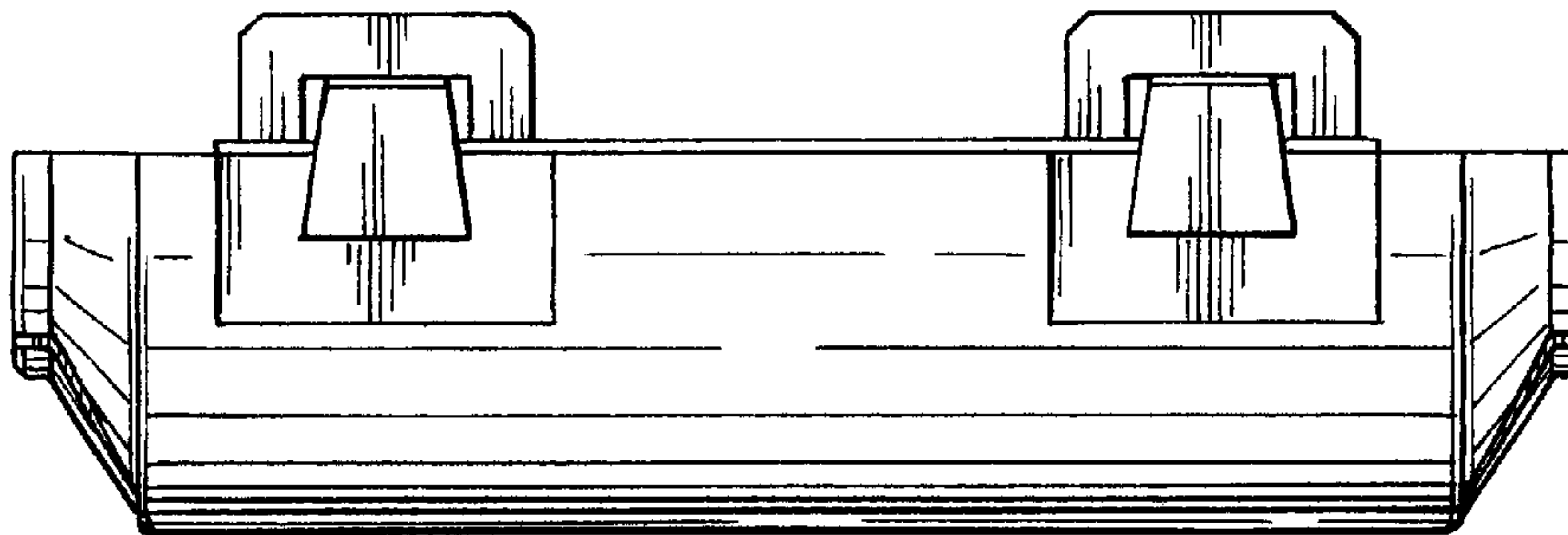


FIG. 2

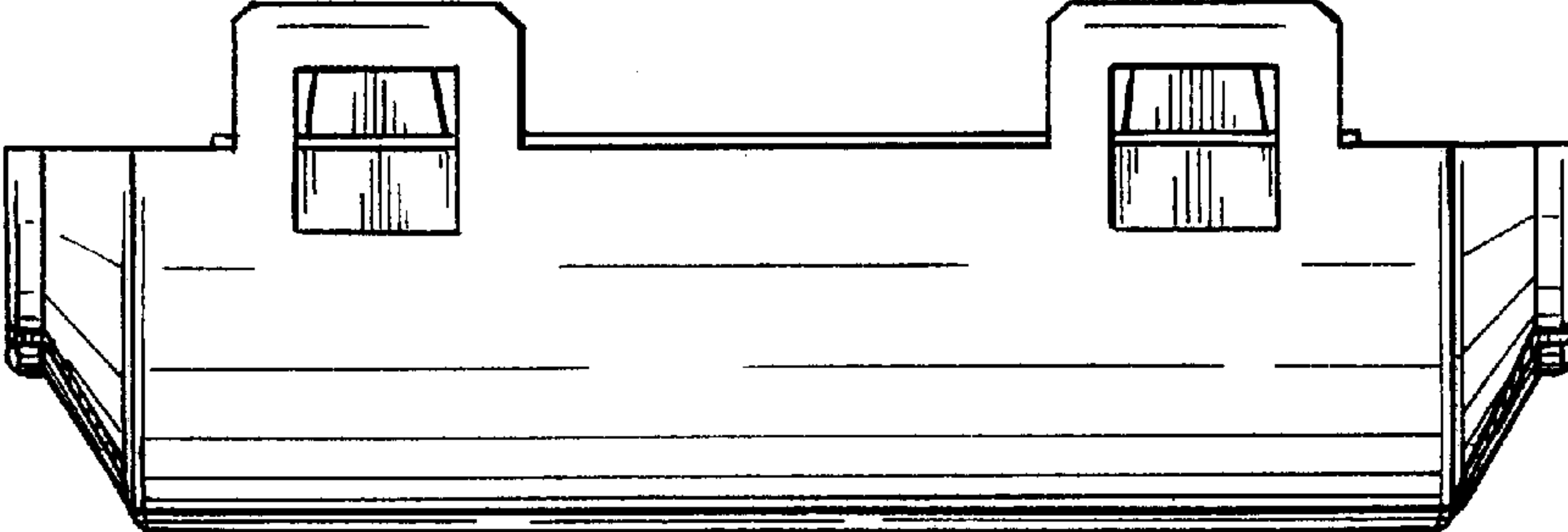


FIG. 3

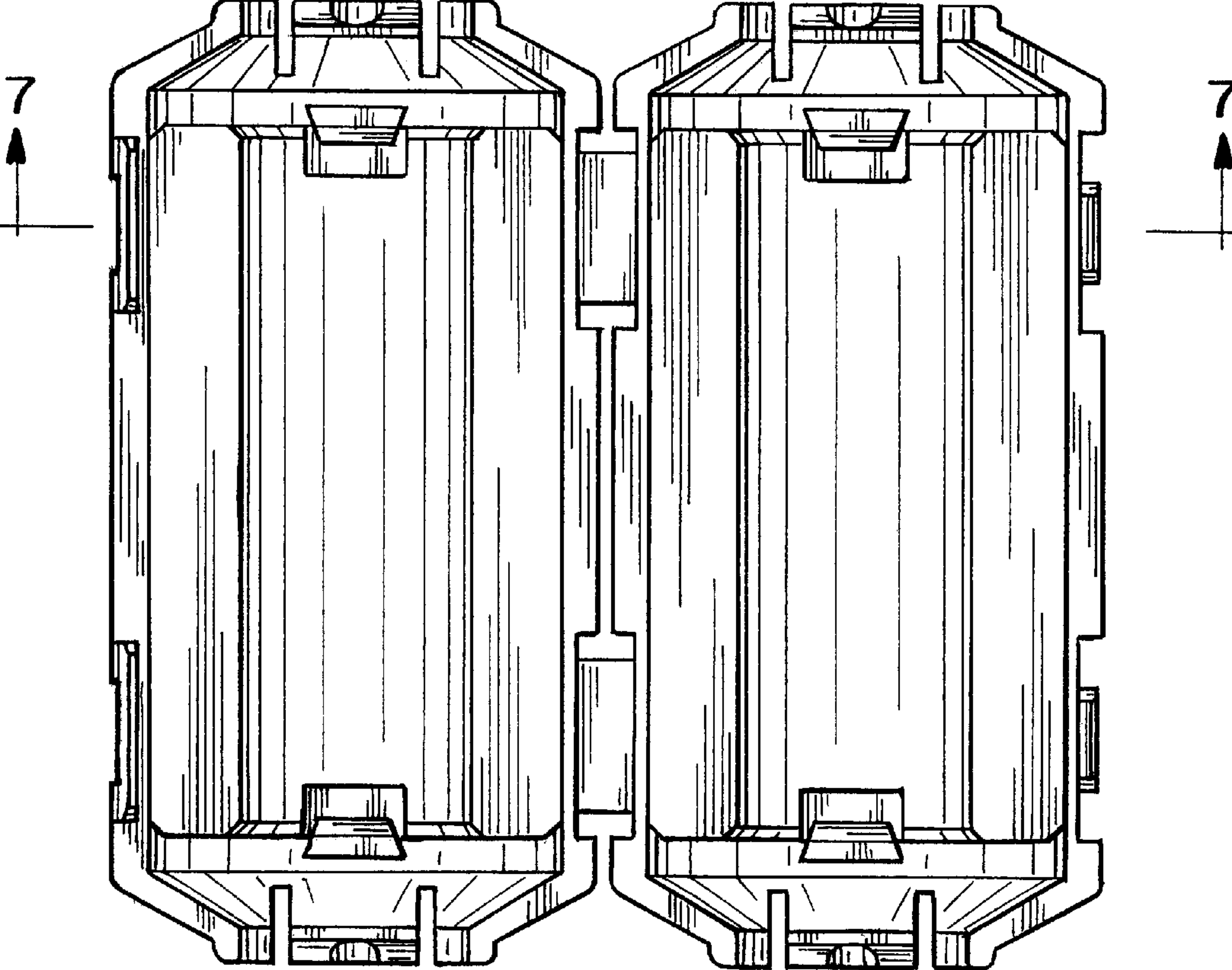


FIG. 4

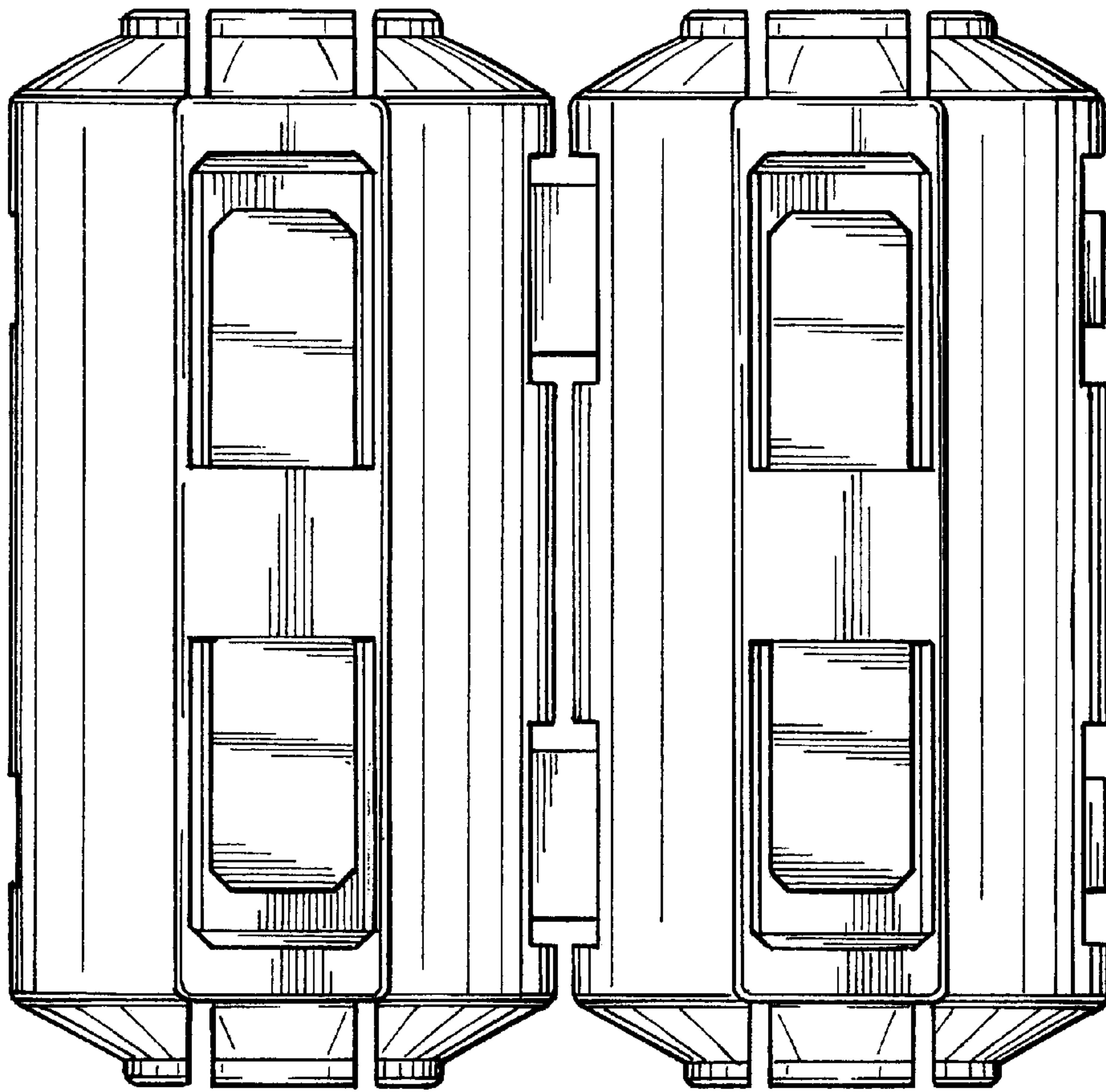


FIG. 5

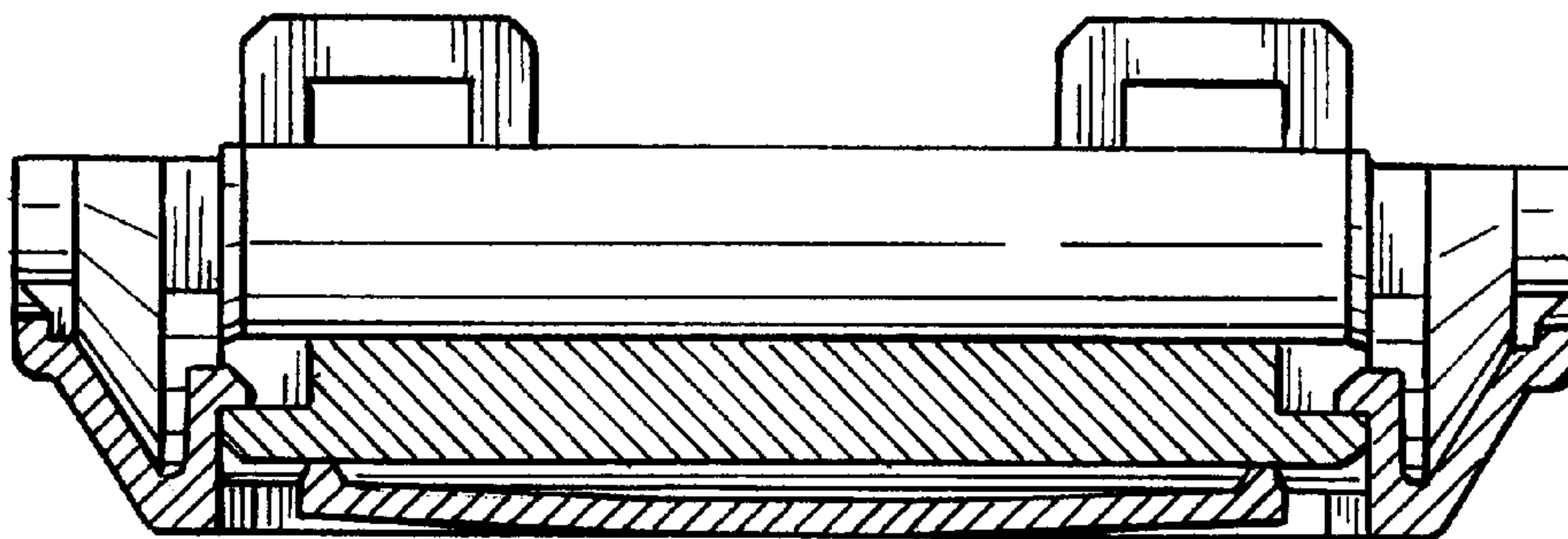


FIG. 6

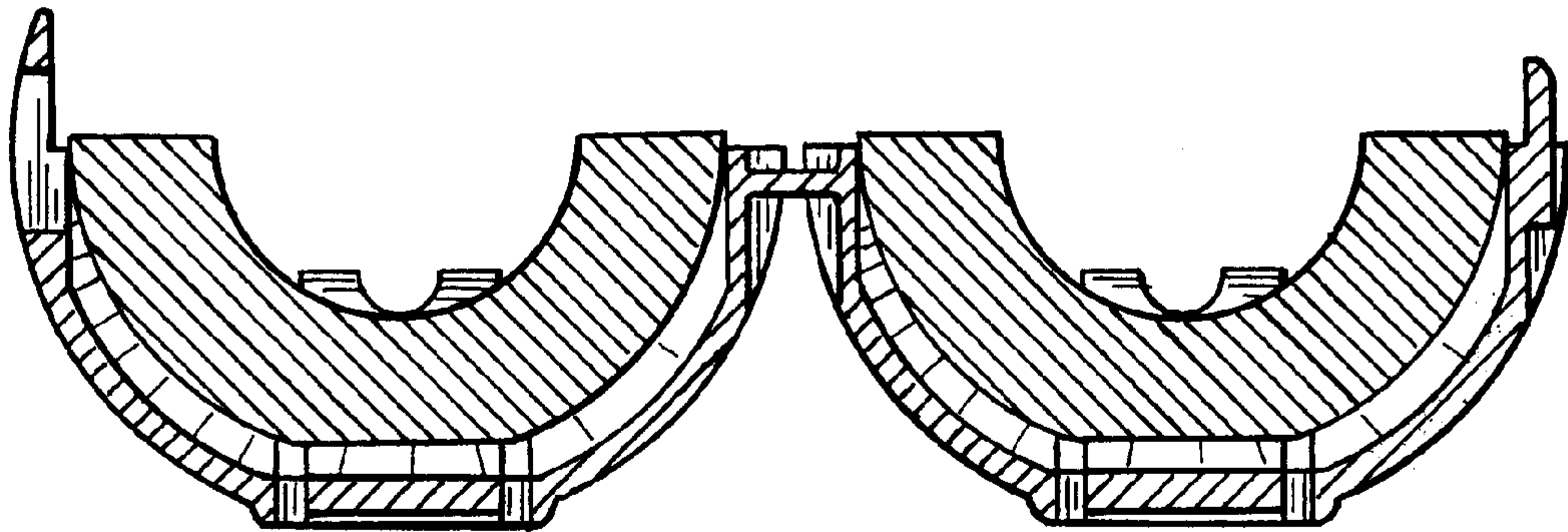


FIG. 7

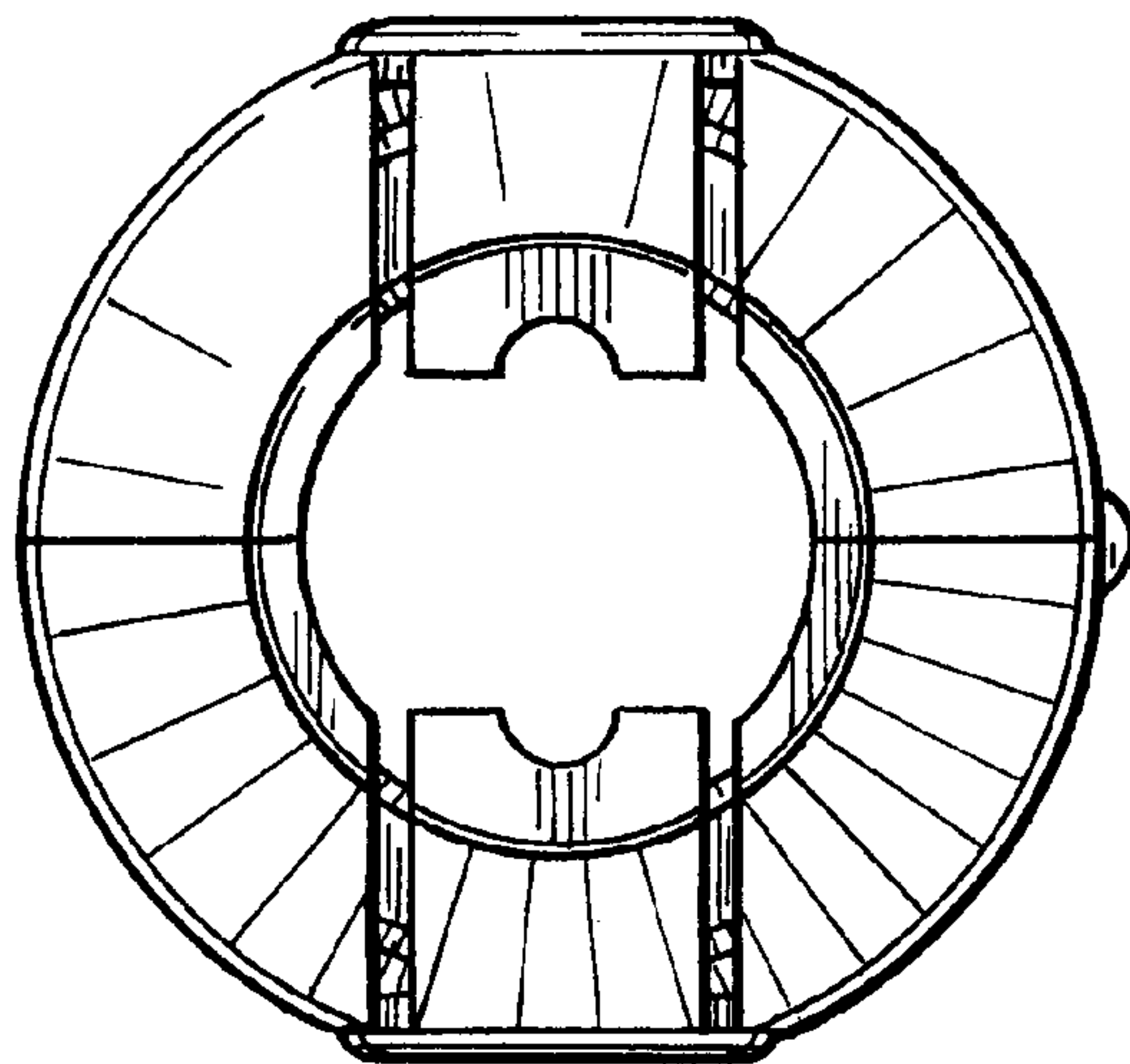


FIG. 8

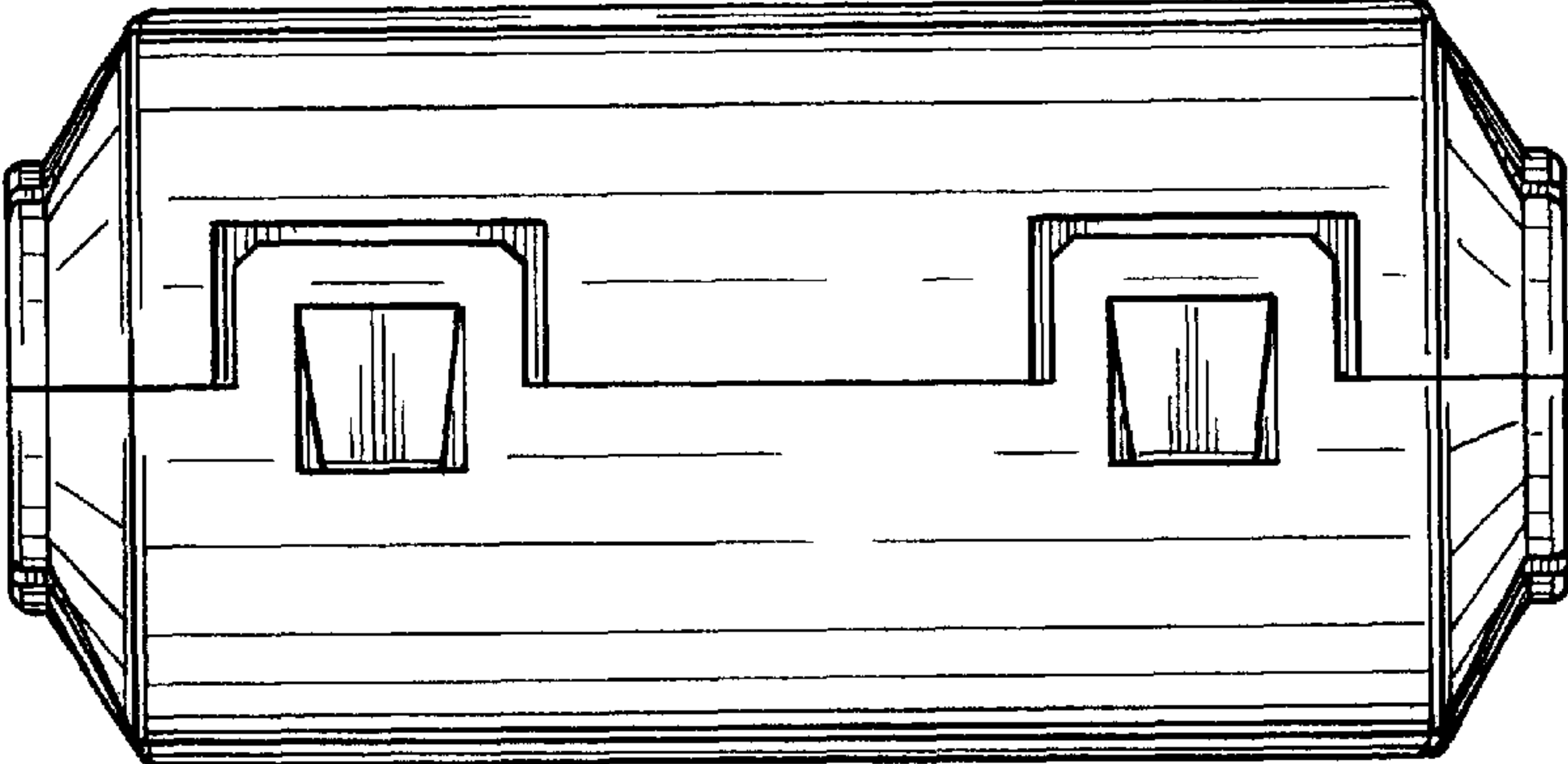


FIG. 9

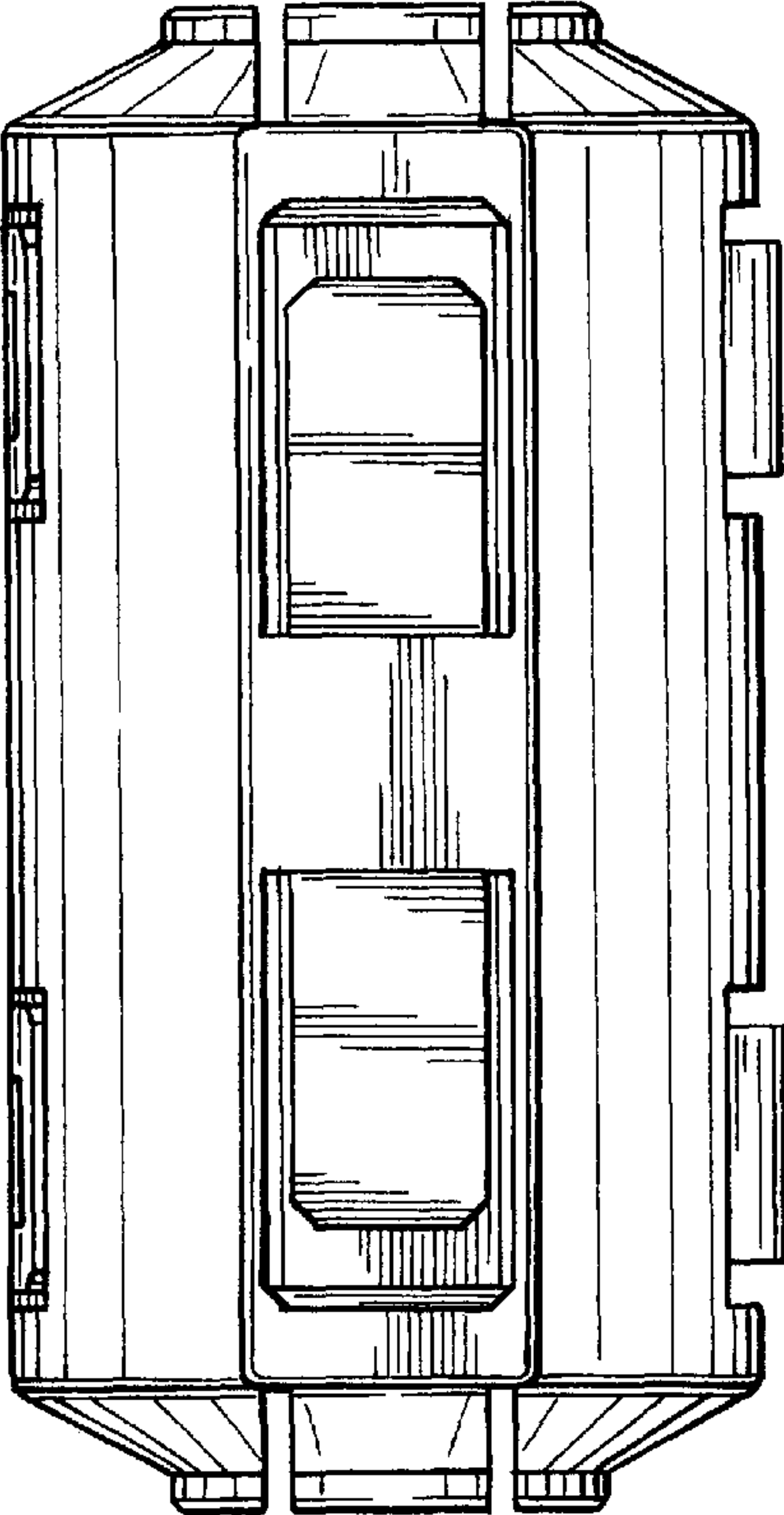


FIG. 10

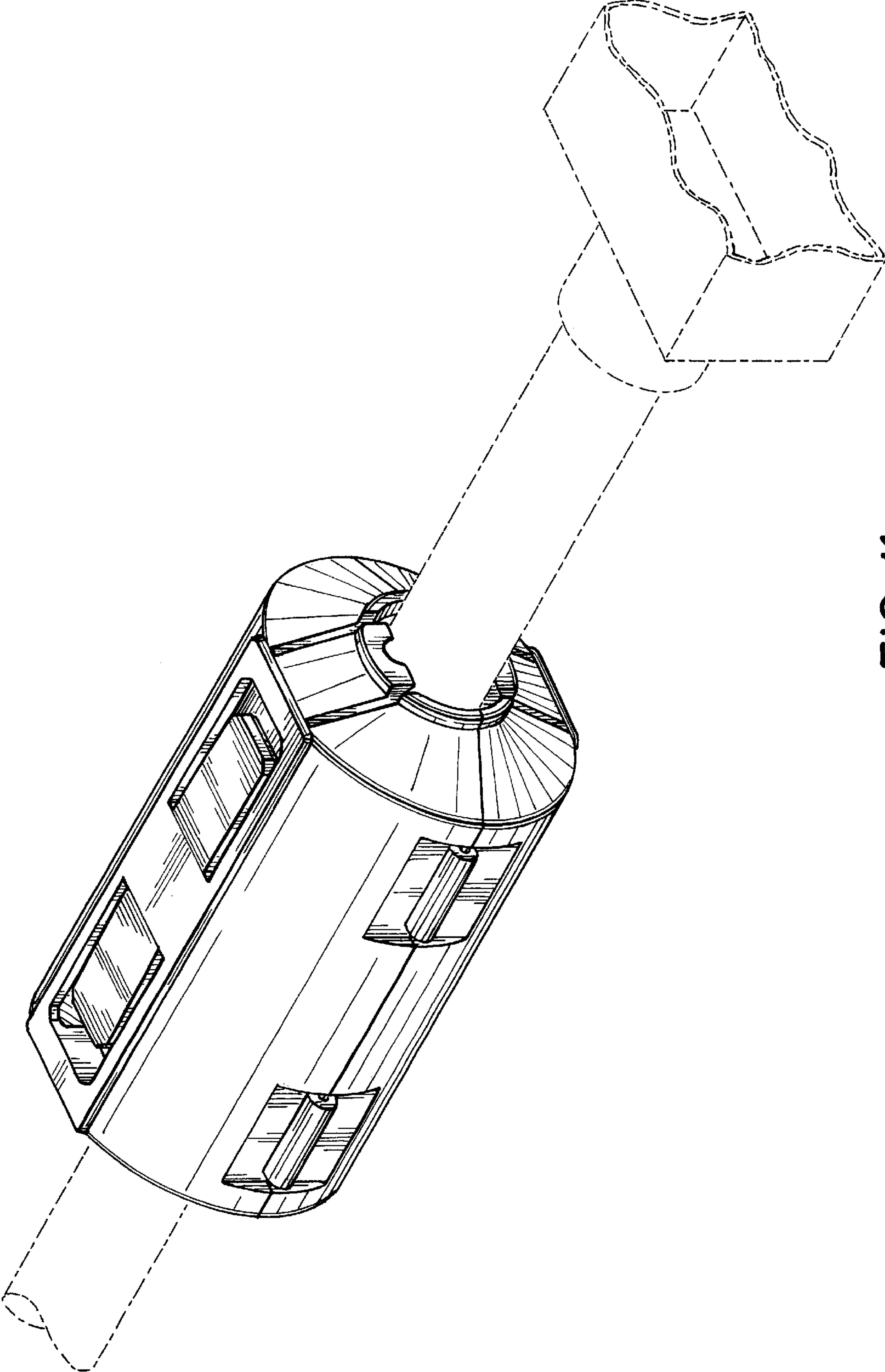


FIG. 11