



US00D514532S

(12) **United States Design Patent**
Paoli

(10) **Patent No.:** **US D514,532 S**
(45) **Date of Patent:** **** Feb. 7, 2006**

(54) **WIRELESS REMOTE MONITOR ENCLOSURE**

(75) Inventor: **Ernie R. Paoli**, Loveland, CO (US)

(73) Assignee: **Hach Company**, Loveland, CO (US)

(**) Term: **14 Years**

(21) Appl. No.: **29/206,338**

(22) Filed: **May 29, 2004**

(51) **LOC (8) Cl.** **13-03**

(52) **U.S. Cl.** **D13/184; D13/168**

(58) **Field of Classification Search** D13/168,
D13/184; D14/240; 174/50, 52.1, 58; 220/3.8,
220/4.02; 312/223.1, 223.2; 340/870.02;
361/679, 724

See application file for complete search history.

(56) **References Cited**

U.S. PATENT DOCUMENTS

D115,709 S * 7/1939 Olley D13/184
3,729,727 A * 4/1973 Young et al. 340/870.02
5,214,587 A * 5/1993 Green 702/60

5,298,894 A * 3/1994 Cerny et al. 340/870.02
D408,370 S * 4/1999 Stashkiw et al. D13/184
2003/0102981 A1 * 6/2003 Lightbody et al. 340/870.02
2004/0066311 A1 * 4/2004 Giles et al. 340/870.02
2004/0239523 A1 * 12/2004 Paoli et al. 340/870.02

* cited by examiner

Primary Examiner—Stella Reid
Assistant Examiner—Selina Sikder

(74) *Attorney, Agent, or Firm*—Dean P. Edmundson

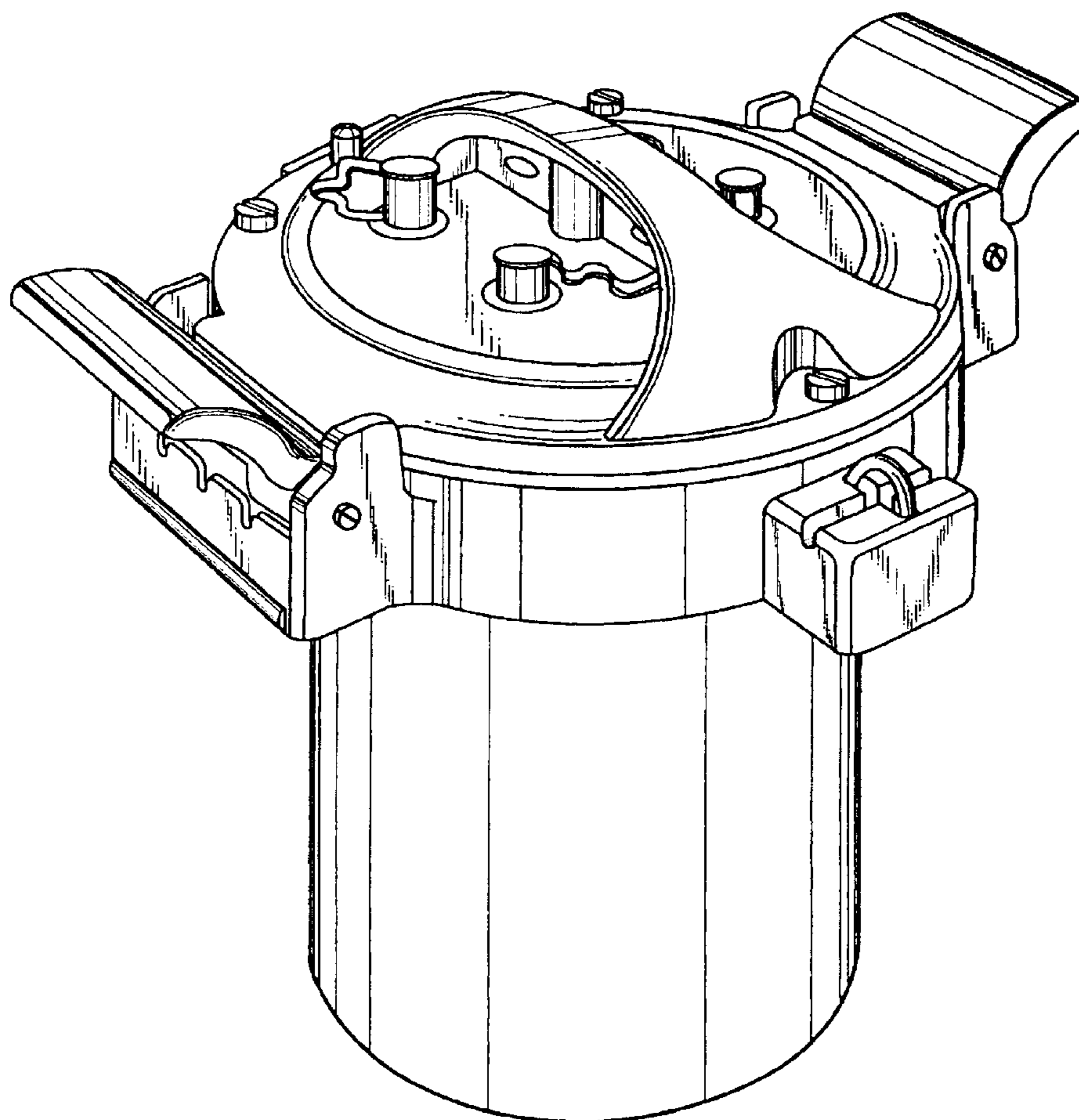
(57) **CLAIM**

The ornamental design for a wireless remote monitor enclosure, as shown.

DESCRIPTION

FIG. 1 is a front perspective view of a wireless remote monitor enclosure showing my new design; FIG. 2 is a front elevation view thereof; FIG. 3 is a right side elevational view thereof; FIG. 4 is a left side elevational view thereof; FIG. 5 is a top plan view thereof; FIG. 6 is a bottom plan view thereof; and, FIG. 7 is a rear elevational view thereof.

1 Claim, 7 Drawing Sheets



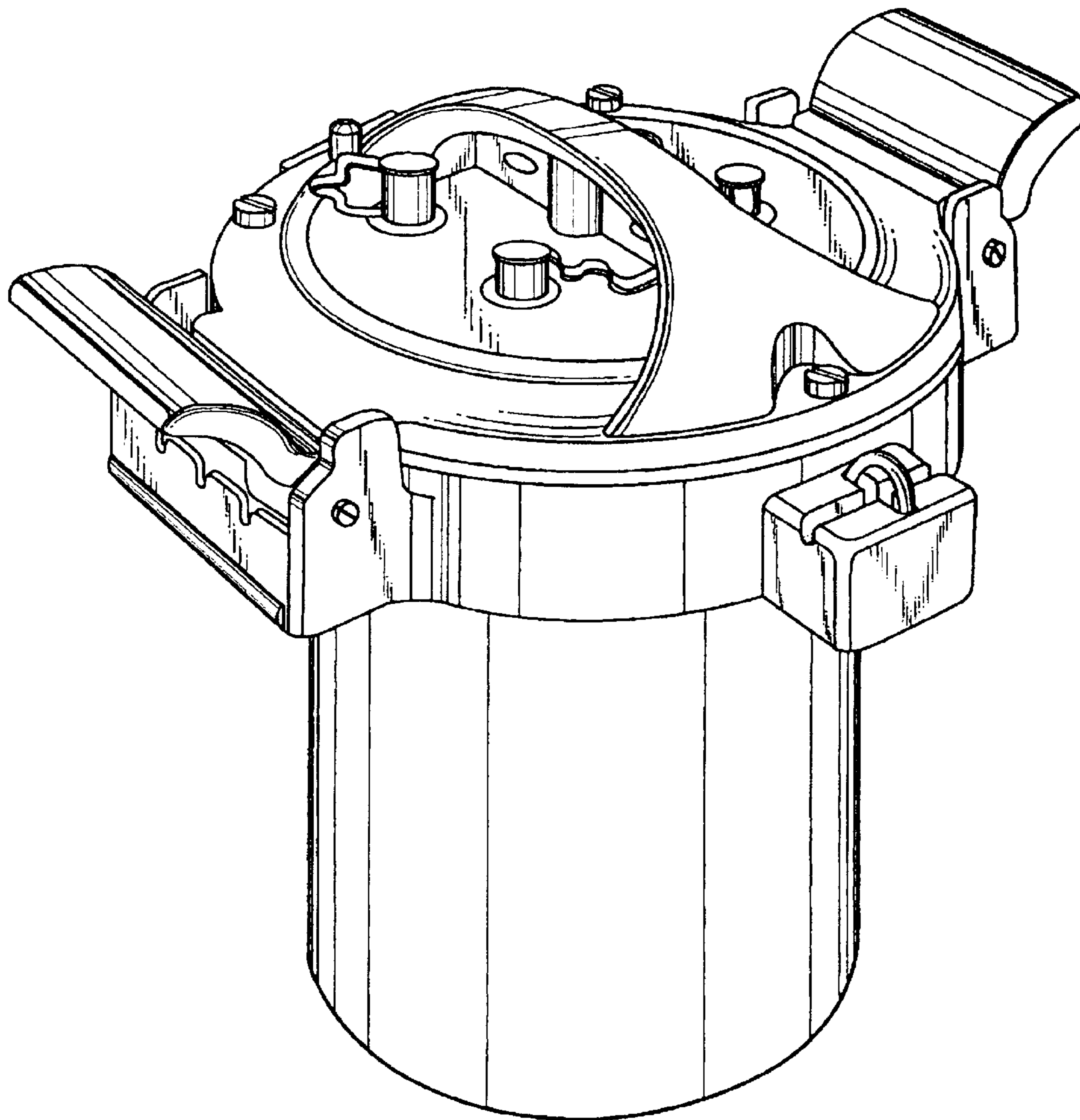


FIGURE 1

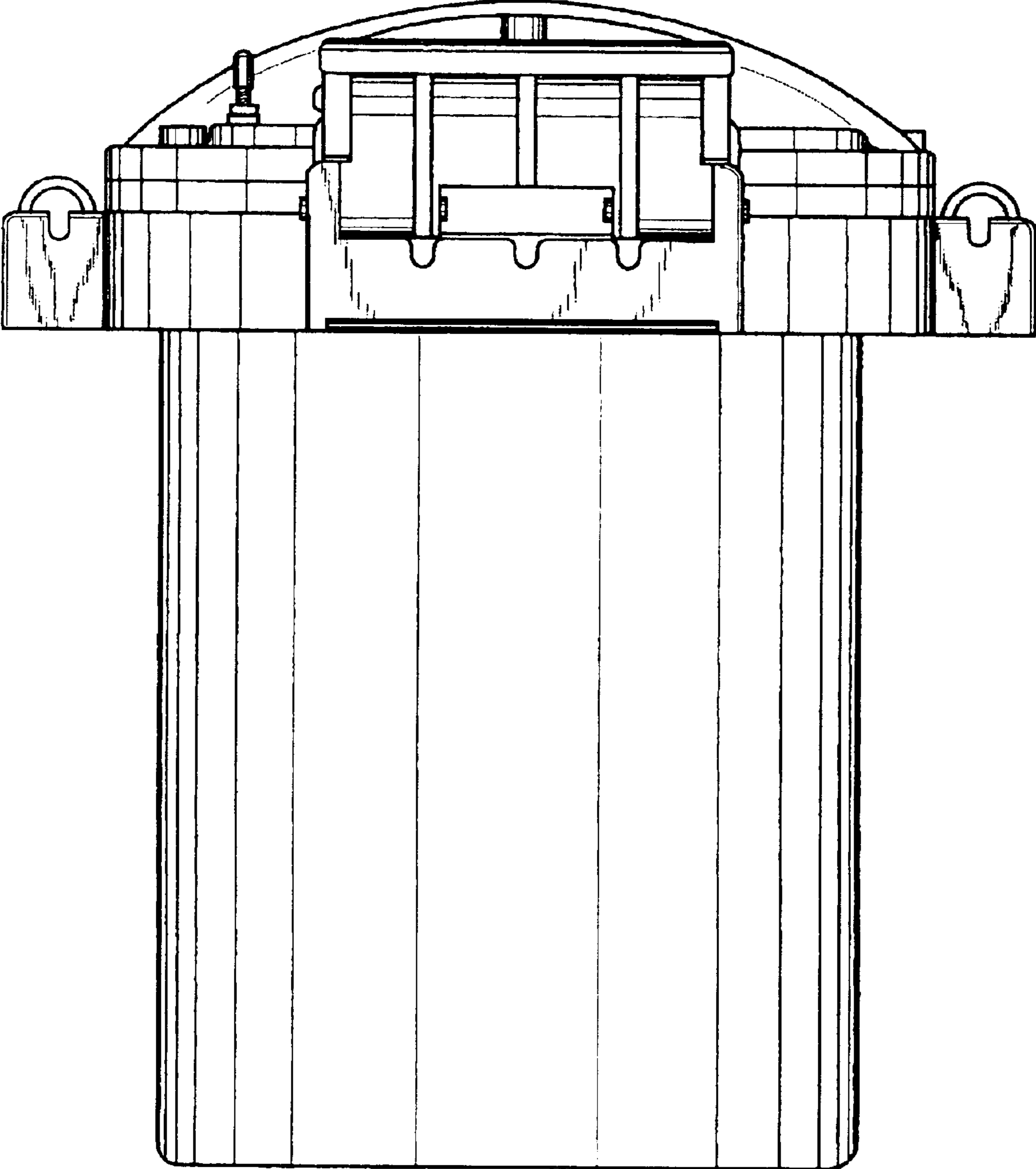


FIGURE 2

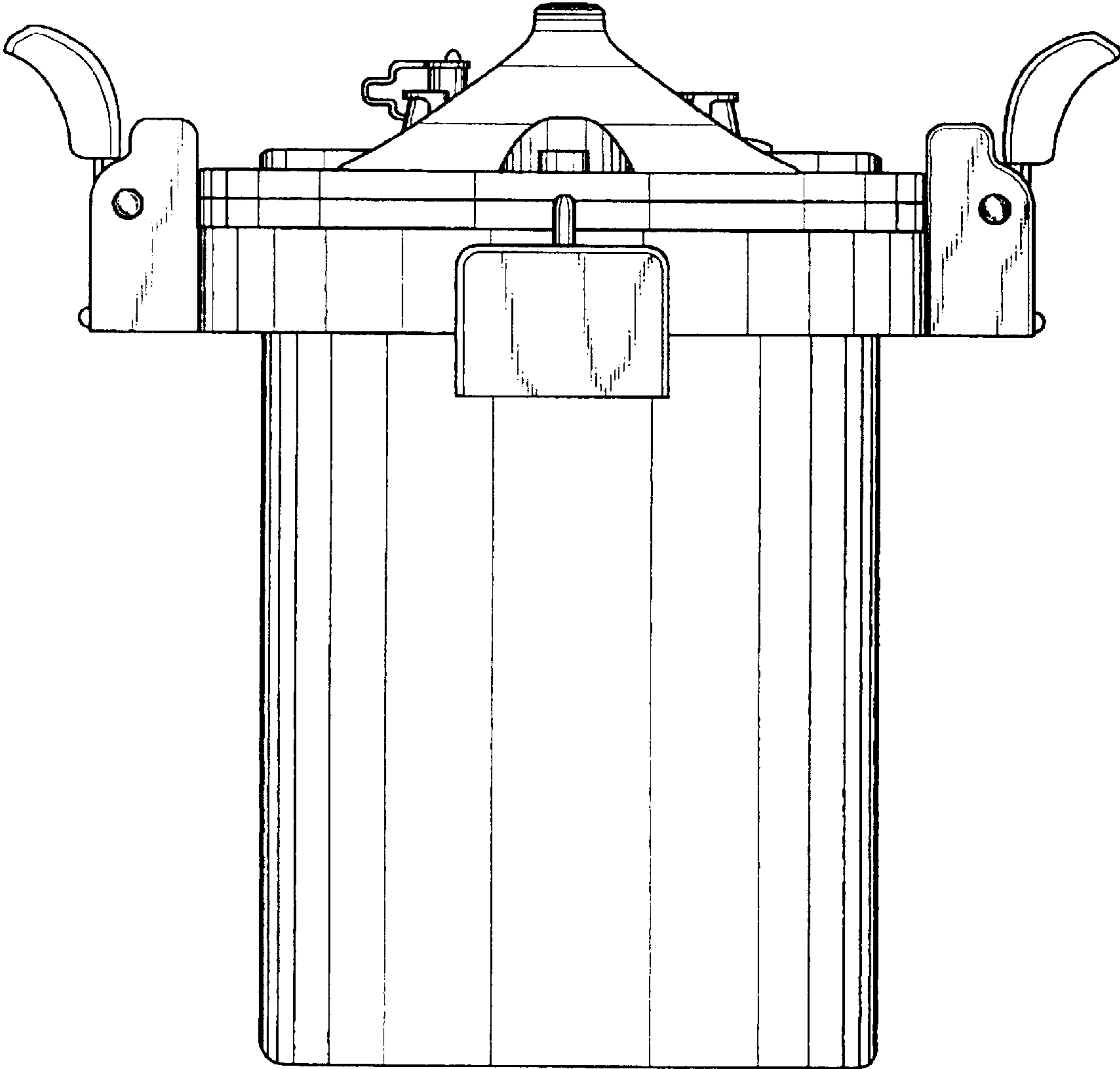


FIGURE 3

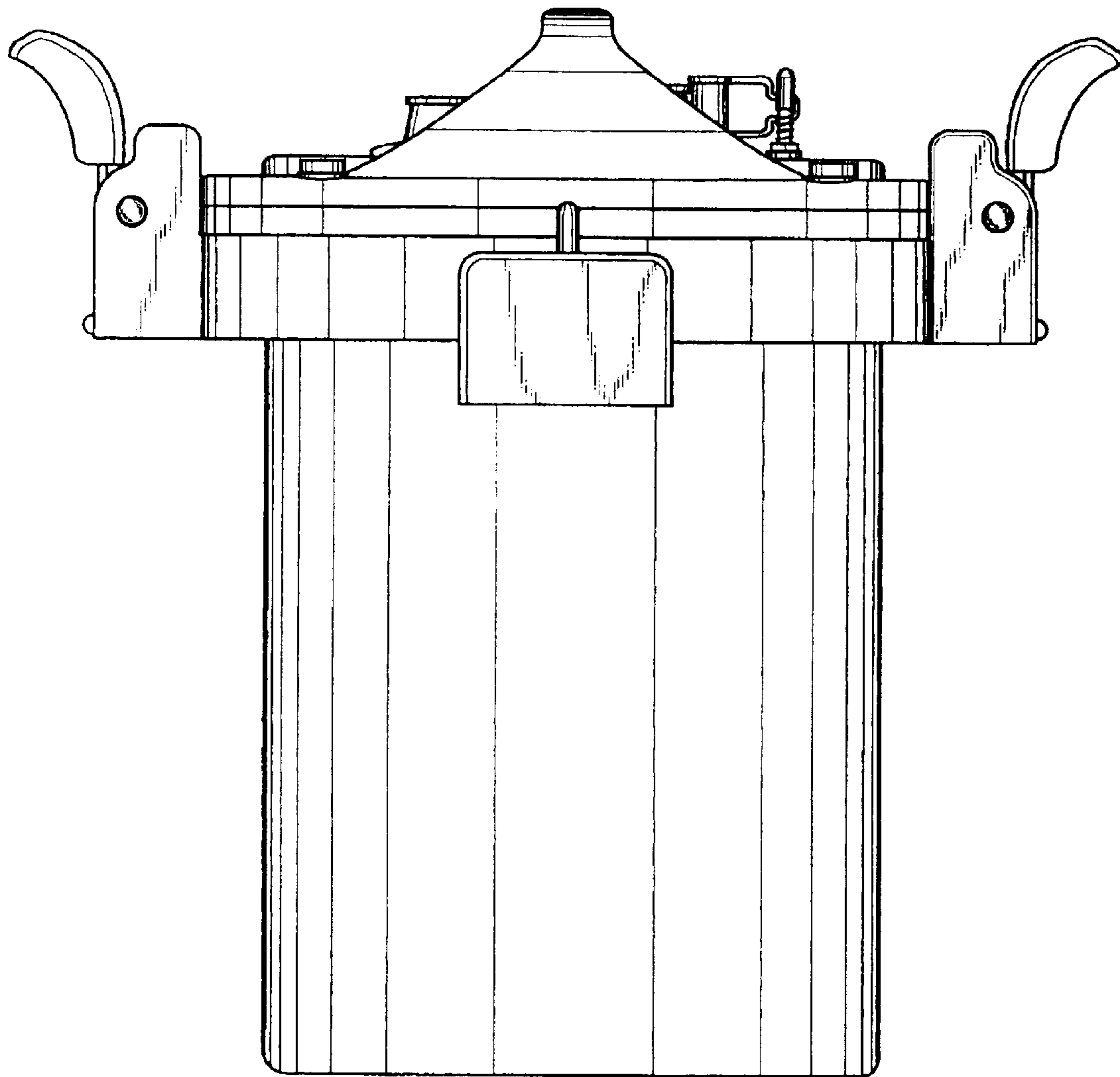


FIGURE 4

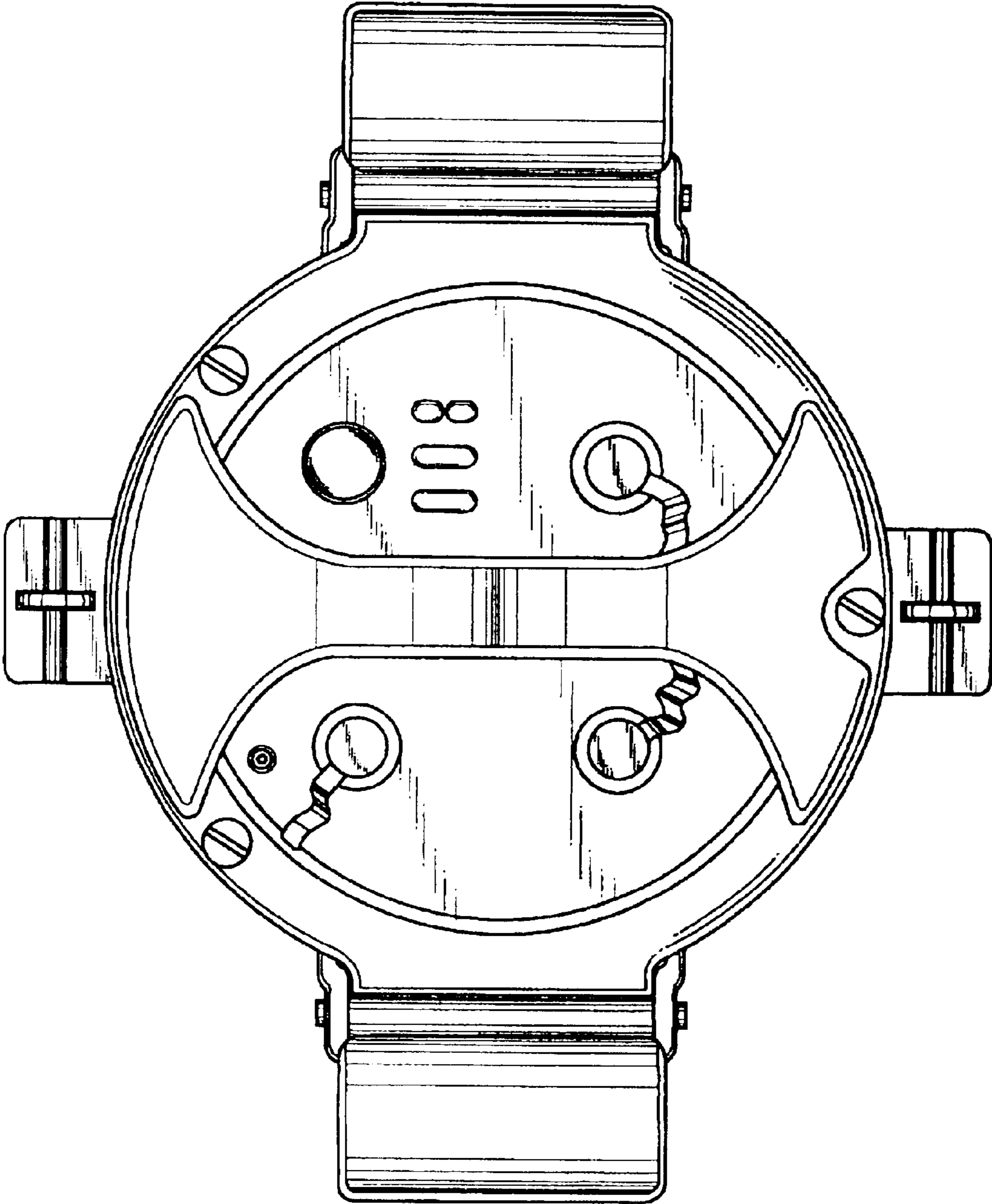


FIGURE 5

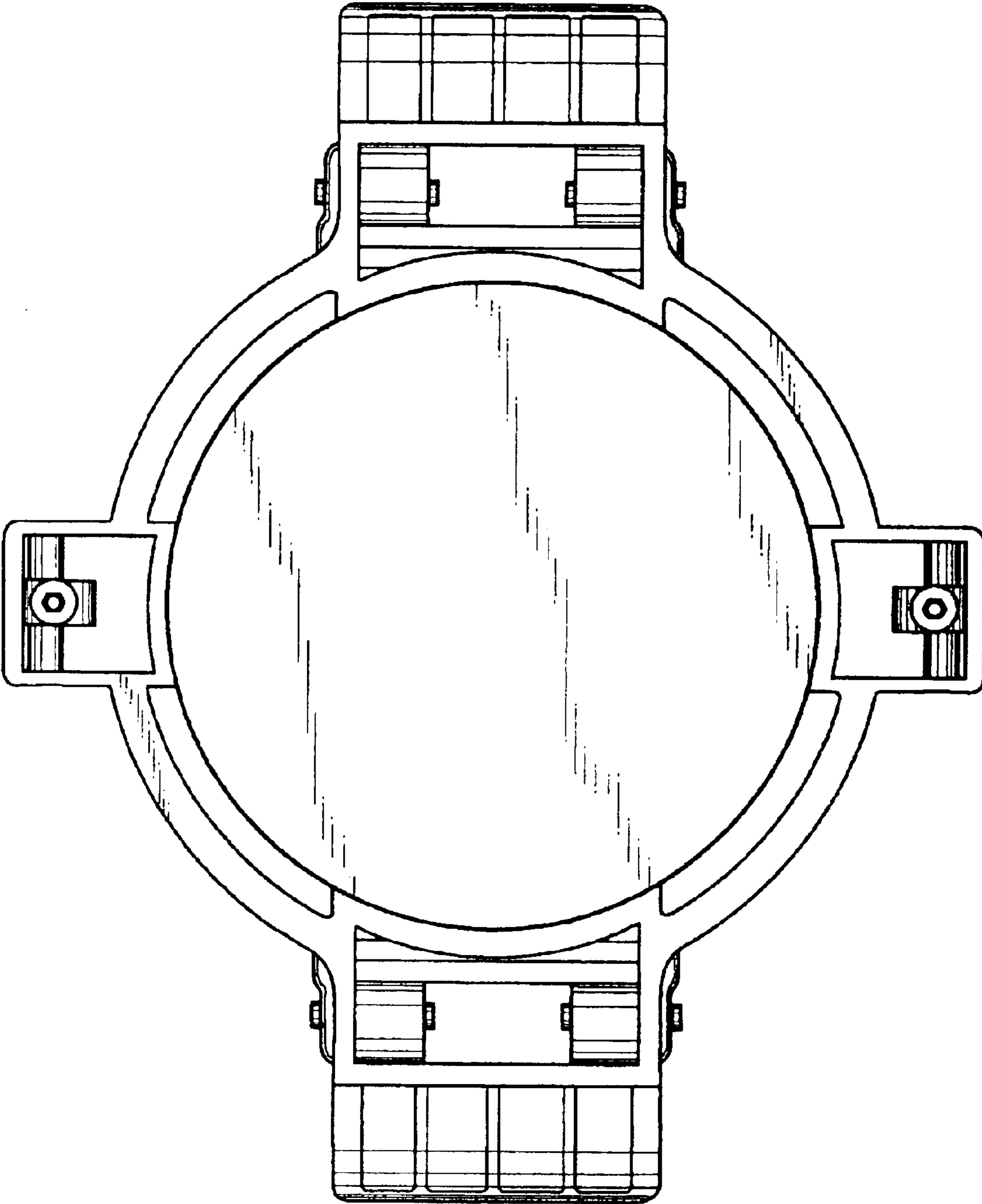


FIGURE 6

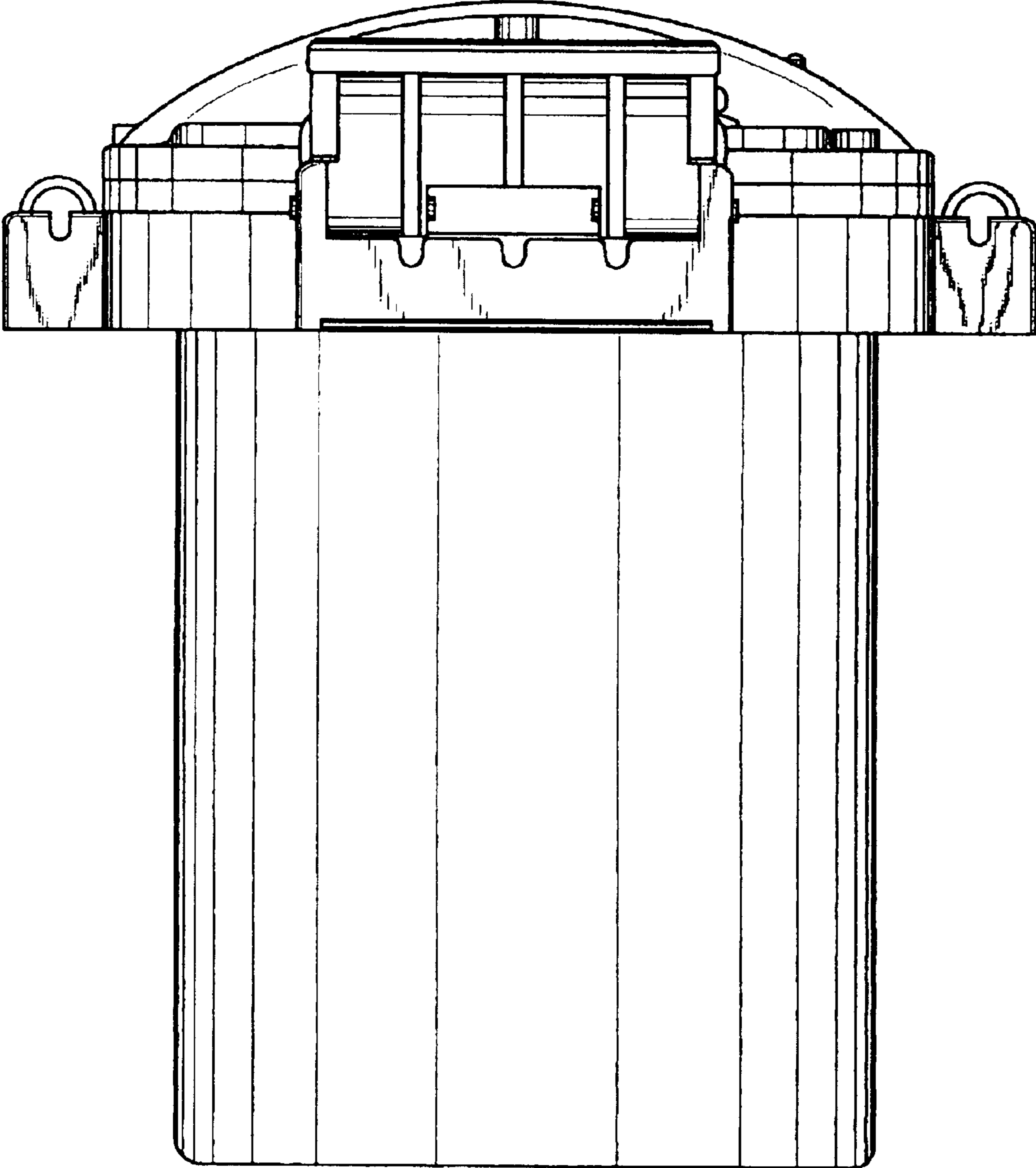


FIGURE 7