

US00D514531S

(12) **United States Design Patent** (10) **Patent No.:** **US D514,531 S**  
**Takagi et al.** (45) **Date of Patent:** **\*\* Feb. 7, 2006**

(54) **OPTICAL MODULE**

(75) Inventors: **Shinichi Takagi**, Tokyo (JP); **Hiroshi Aruga**, Tokyo (JP); **Kiyohide Sakai**, Tokyo (JP)

(73) Assignee: **Mitsubishi Denki Kabushiki Kaisha**, Tokyo (JP)

(\*\*) Term: **14 Years**

(21) Appl. No.: **29/173,580**

(22) Filed: **Jan. 3, 2003**

(30) **Foreign Application Priority Data**

Jul. 10, 2002	(JP)	.....	2002-018483
Jul. 10, 2002	(JP)	.....	2002-018484
Jul. 10, 2002	(JP)	.....	2002-018485
Jul. 10, 2002	(JP)	.....	2002-018486

(51) **LOC (8) Cl.** ..... **13-03**

(52) **U.S. Cl.** ..... **D13/182**

(58) **Field of Classification Search** ..... D13/182;  
257/98, 99, 433, 678; 372/31, 36, 43, 92;  
385/88, 92

See application file for complete search history.

(56) **References Cited**

**U.S. PATENT DOCUMENTS**

5,089,861	A *	2/1992	Tanaka et al.	.....	372/36
5,252,856	A *	10/1993	Murai	.....	257/678
6,157,012	A *	12/2000	Tanaka et al.	.....	219/633
6,181,720	B1 *	1/2001	Kanemoto et al.	.....	372/43
D483,338	S *	12/2003	Takagi et al.	.....	D13/182
D484,105	S *	12/2003	Takagi et al.	.....	D13/182
6,750,535	B2 *	6/2004	Huang	.....	257/678
D494,147	S *	8/2004	Takagi et al.	.....	D13/182
2002/0003705	A1 *	1/2002	Tanaka	.....	362/335
2004/0264888	A1 *	12/2004	Go	.....	385/92

**OTHER PUBLICATIONS**

NEC Compound Semiconductor Devices, "Data Sheet, laser Diode NX7313UA NEC", 10 pages, 2002.  
Product Overview, wysiwyg://mainframe.1101/http://www.shinko.co.jp/e.product/e.glass/e.glass.4.htm, "Glass-to-Metal Seals", 2 pages, 2001-2002.  
Patent Abstracts of Japan, JP 10-284640, Oct. 23, 1998.  
Patent Abstracts of Japan, JP 08-031970, Feb. 2, 1996.  
Patent Abstracts of Japan, JP 11-087577, Mar. 30, 1999.  
Patent Abstracts of Japan, JP 05-129461, May 25, 1993.  
Patent Abstracts of Japan, JP 07-176649, Jul. 14, 1995.

\* cited by examiner

*Primary Examiner*—Stella Reid

*Assistant Examiner*—Selina Sikder

(74) *Attorney, Agent, or Firm*—Oblon, Spivak, McClelland, Maier & Neustadt, P.C.

(57) **CLAIM**

The ornamental design for an optical module, as shown and described.

**DESCRIPTION**

FIG. 1 is a front, top and right side perspective view of a optical module, showing our new design;  
FIG. 2 is a front elevational view thereof;  
FIG. 3 is a rear elevational view thereof;  
FIG. 4 is a top plan view thereof;  
FIG. 5 is a bottom plan view thereof;  
FIG. 6 is a right side elevational view thereof, the left side elevational view is omitted as that is symmetrical to the right side elevational view thereof;  
FIG. 7 is a front, top and right side perspective view of a second embodiment of the optical module, showing our new design;  
FIG. 8 is a front elevational view thereof;  
FIG. 9 is a rear elevational view thereof;  
FIG. 10 is a top plan view thereof;  
FIG. 11 is a bottom plan view thereof; and,  
FIG. 12 is a right side elevational view thereof, the left side elevational view is omitted as that is symmetrical to the right side elevational view thereof.

The broken lines in all views are shown for illustrative purposes only and form no part of the claimed design.

**1 Claim, 4 Drawing Sheets**

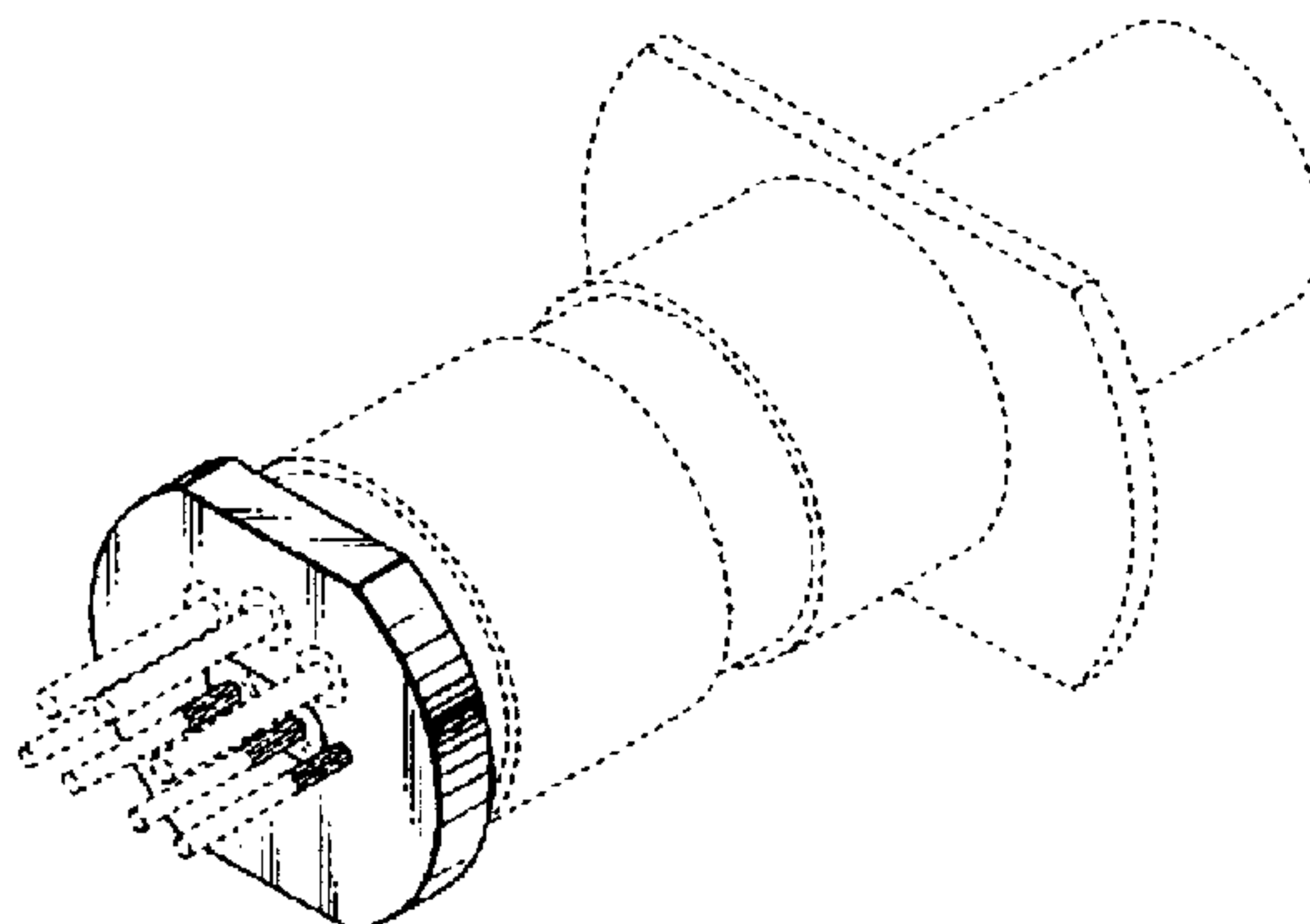


FIG. 1

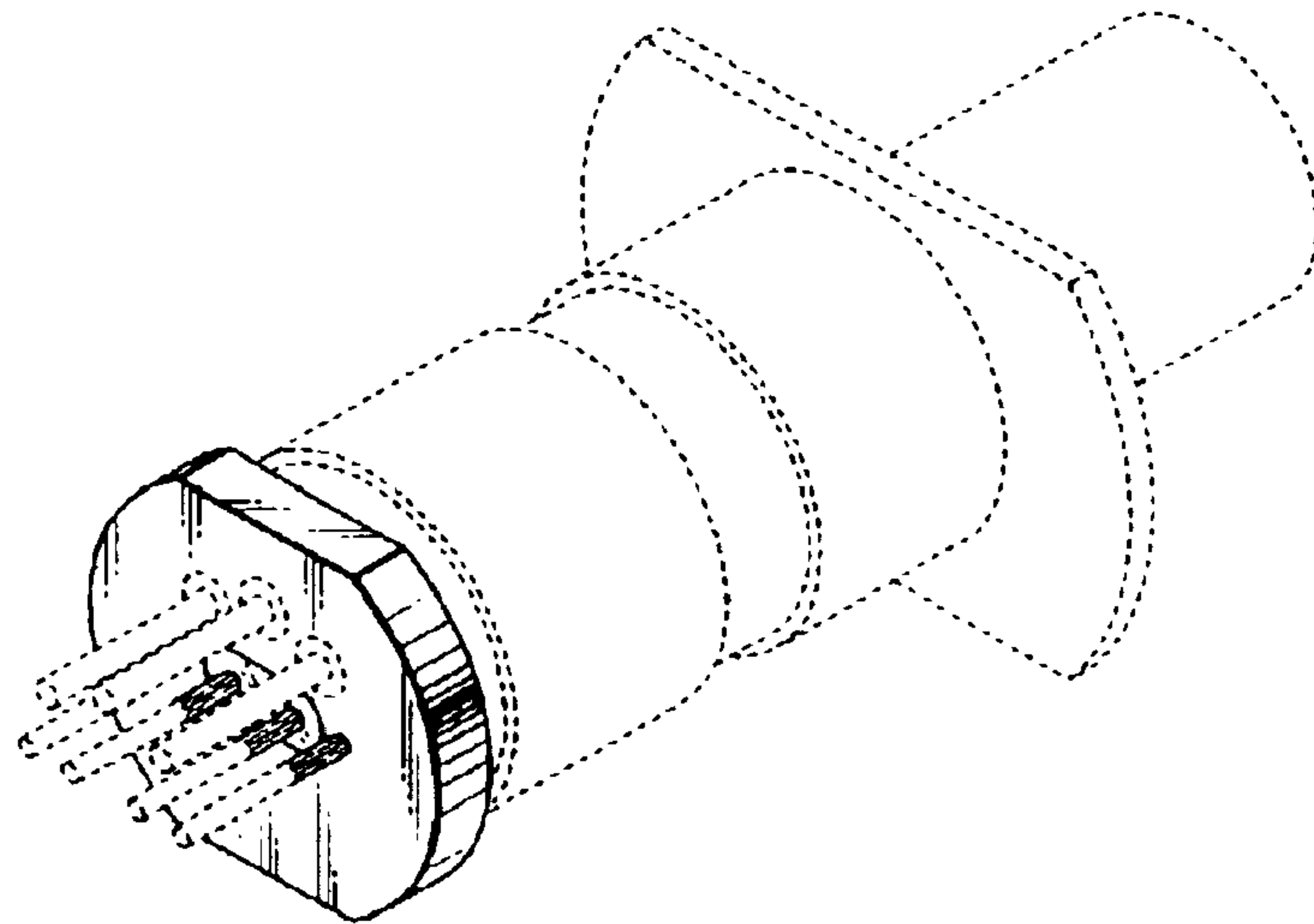


FIG. 2

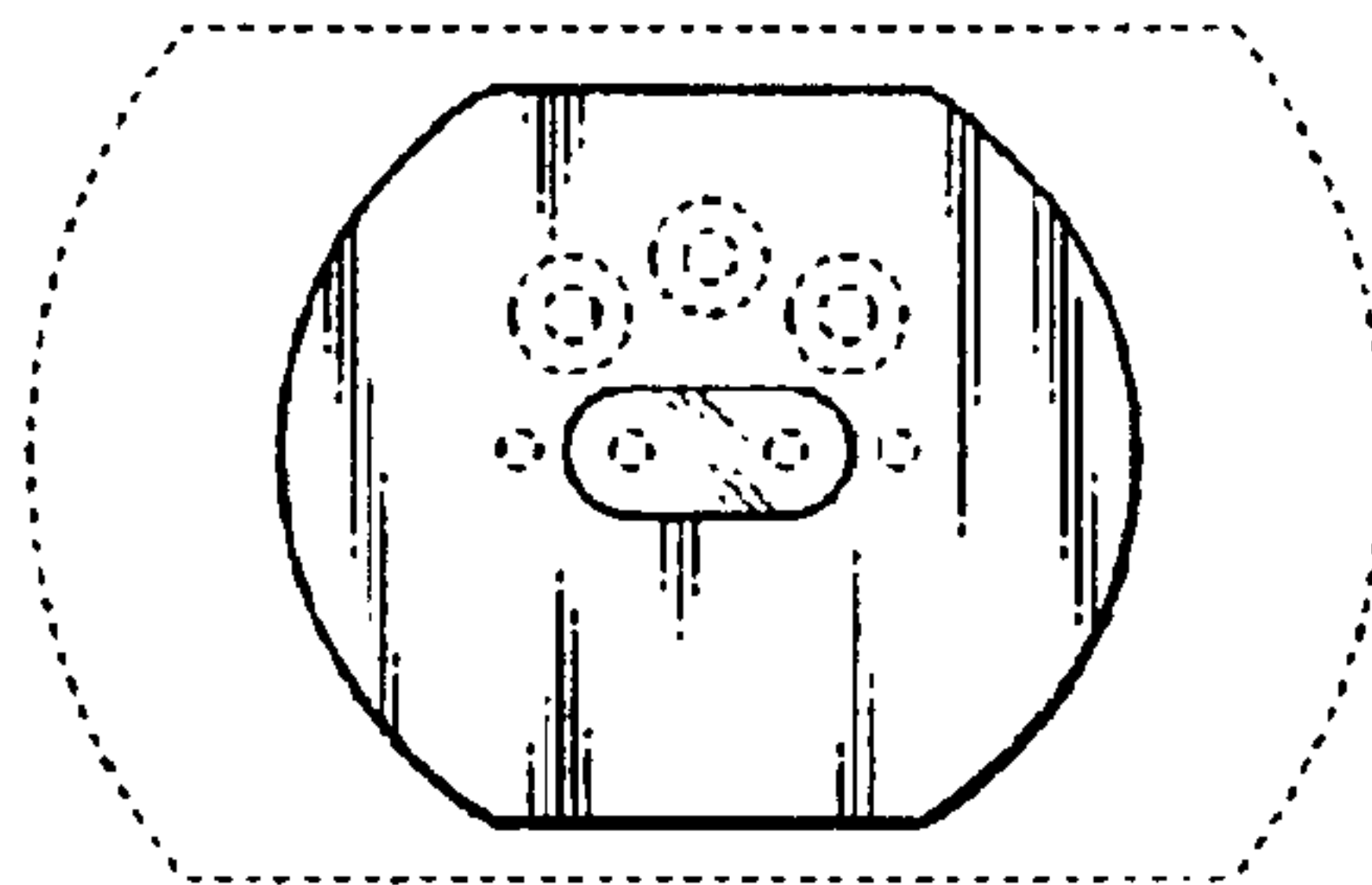


FIG. 3

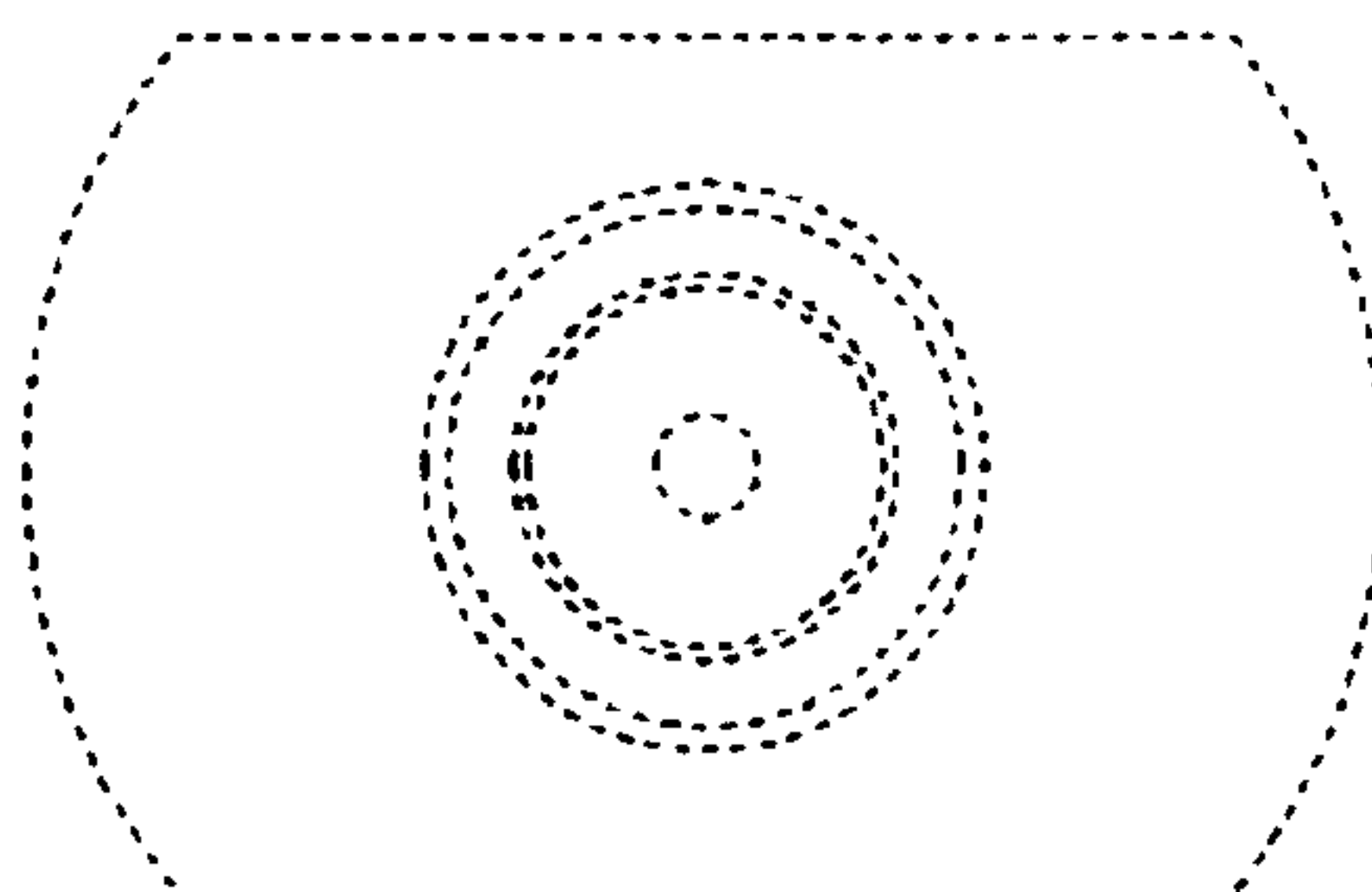


FIG. 4

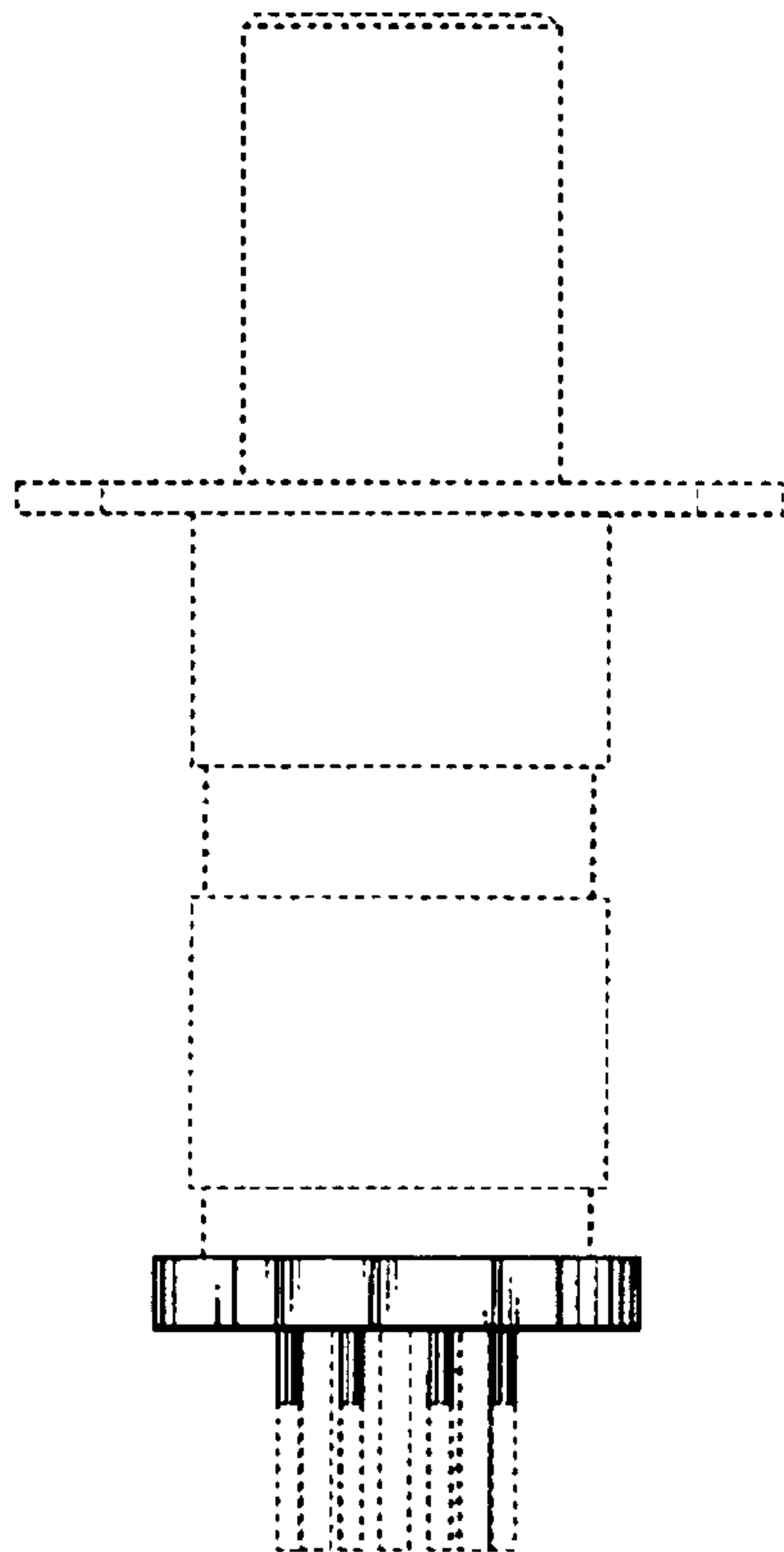


FIG. 5

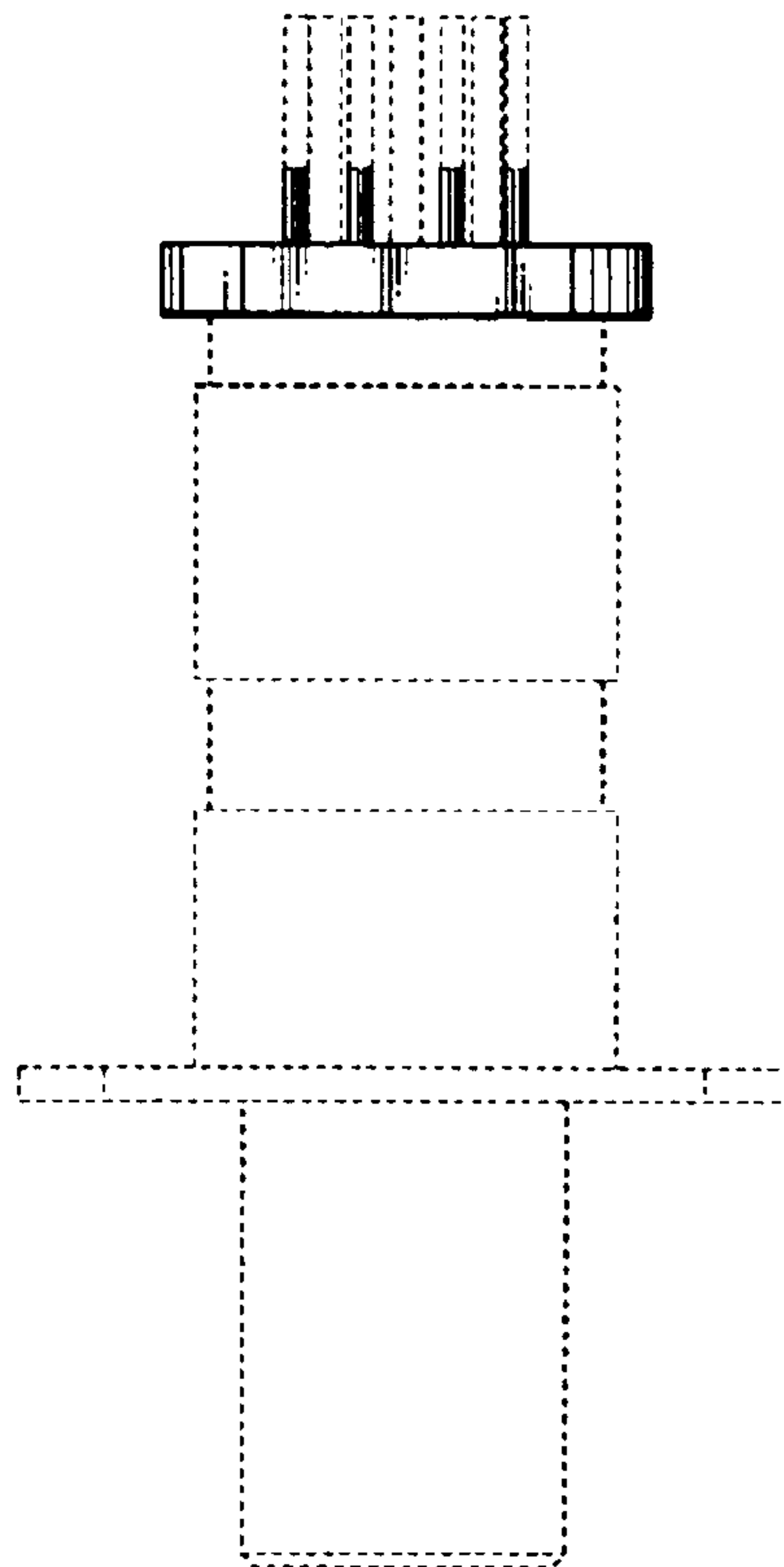


FIG. 6

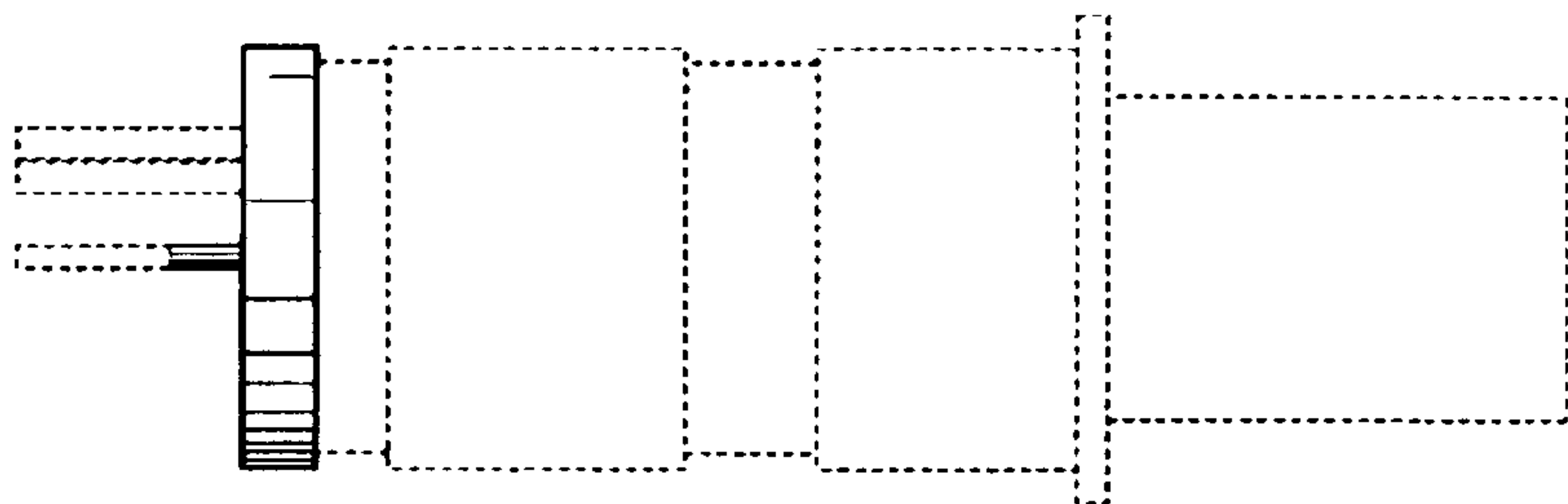


FIG. 7

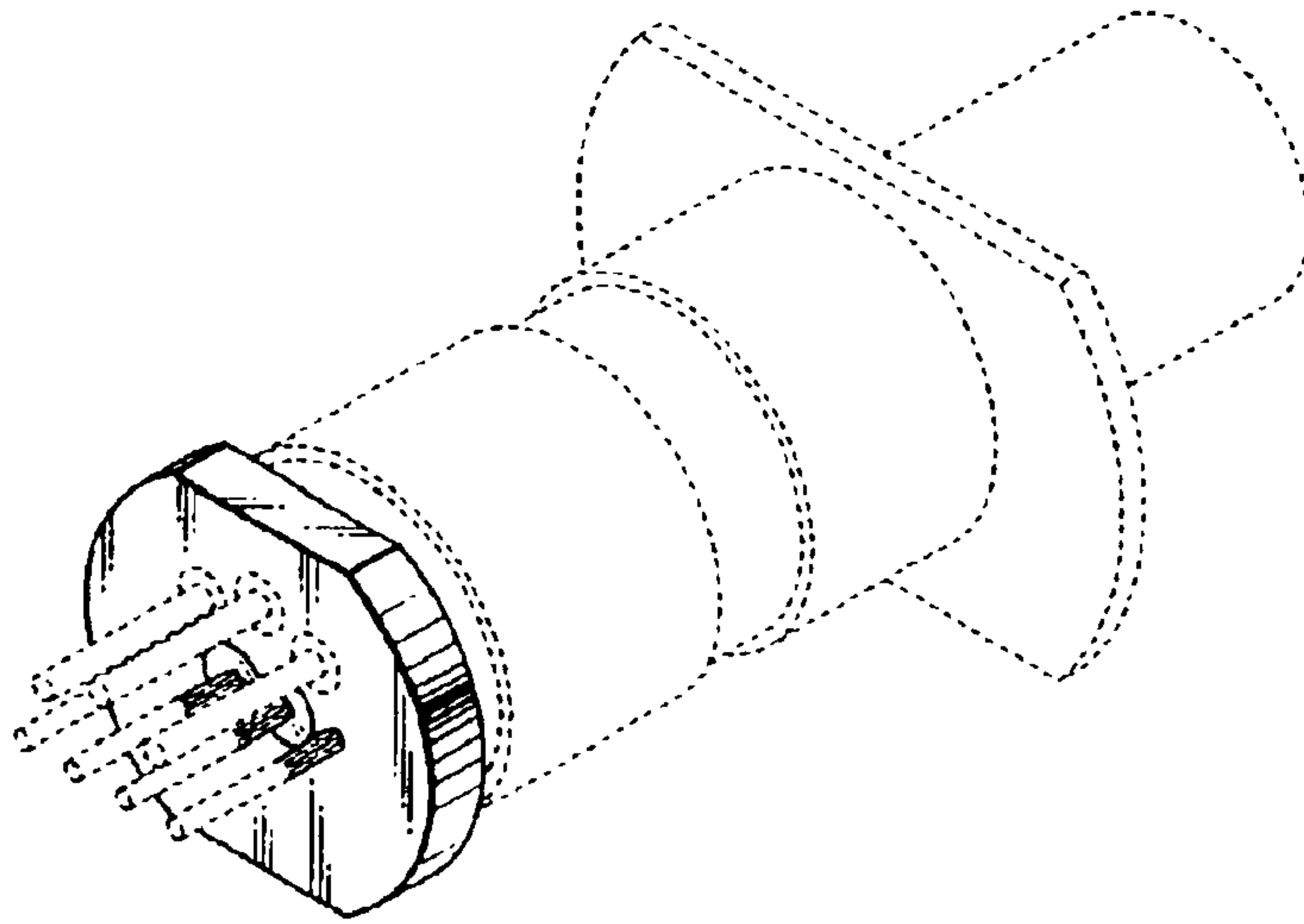


FIG. 8

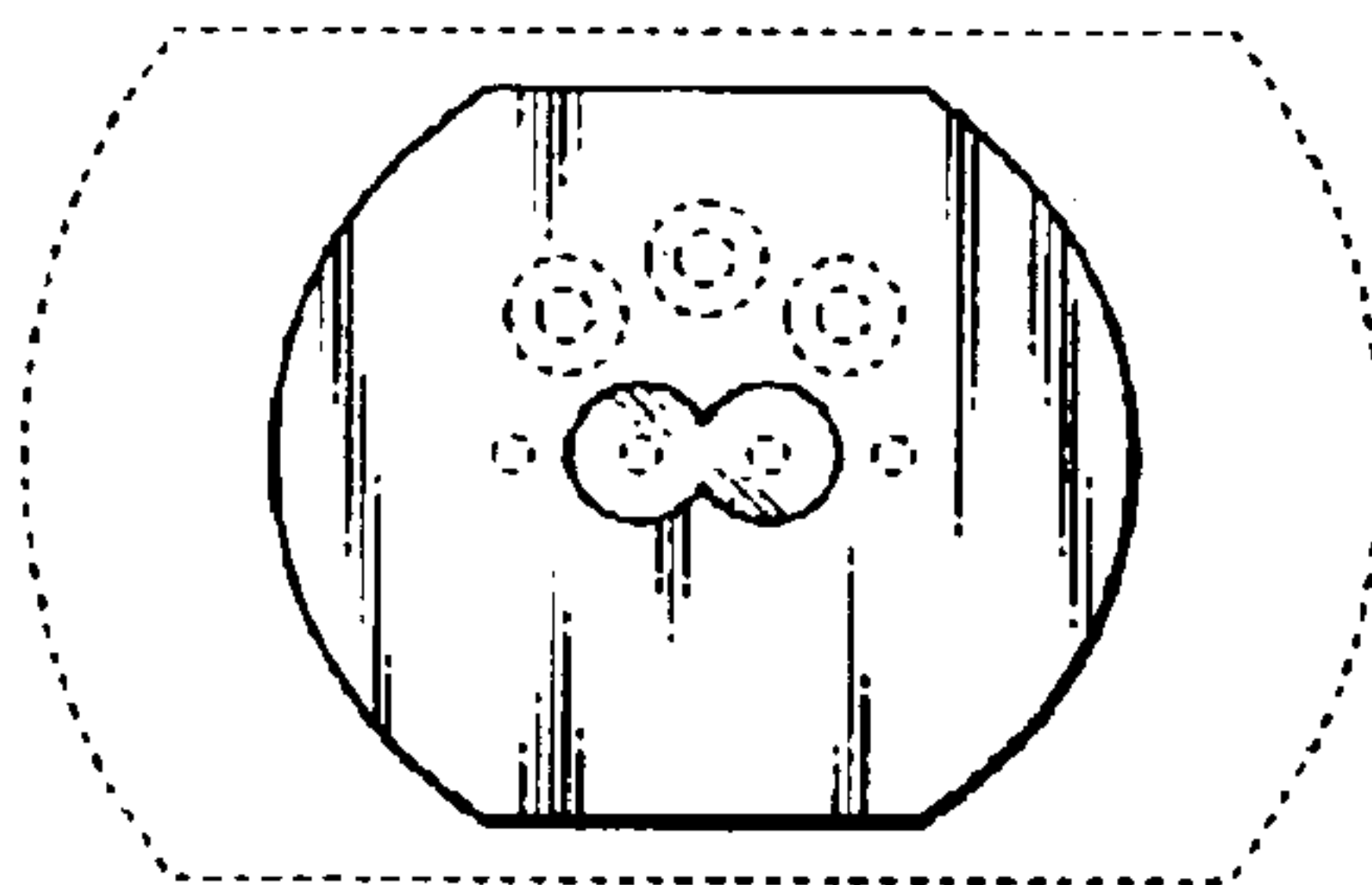


FIG. 9

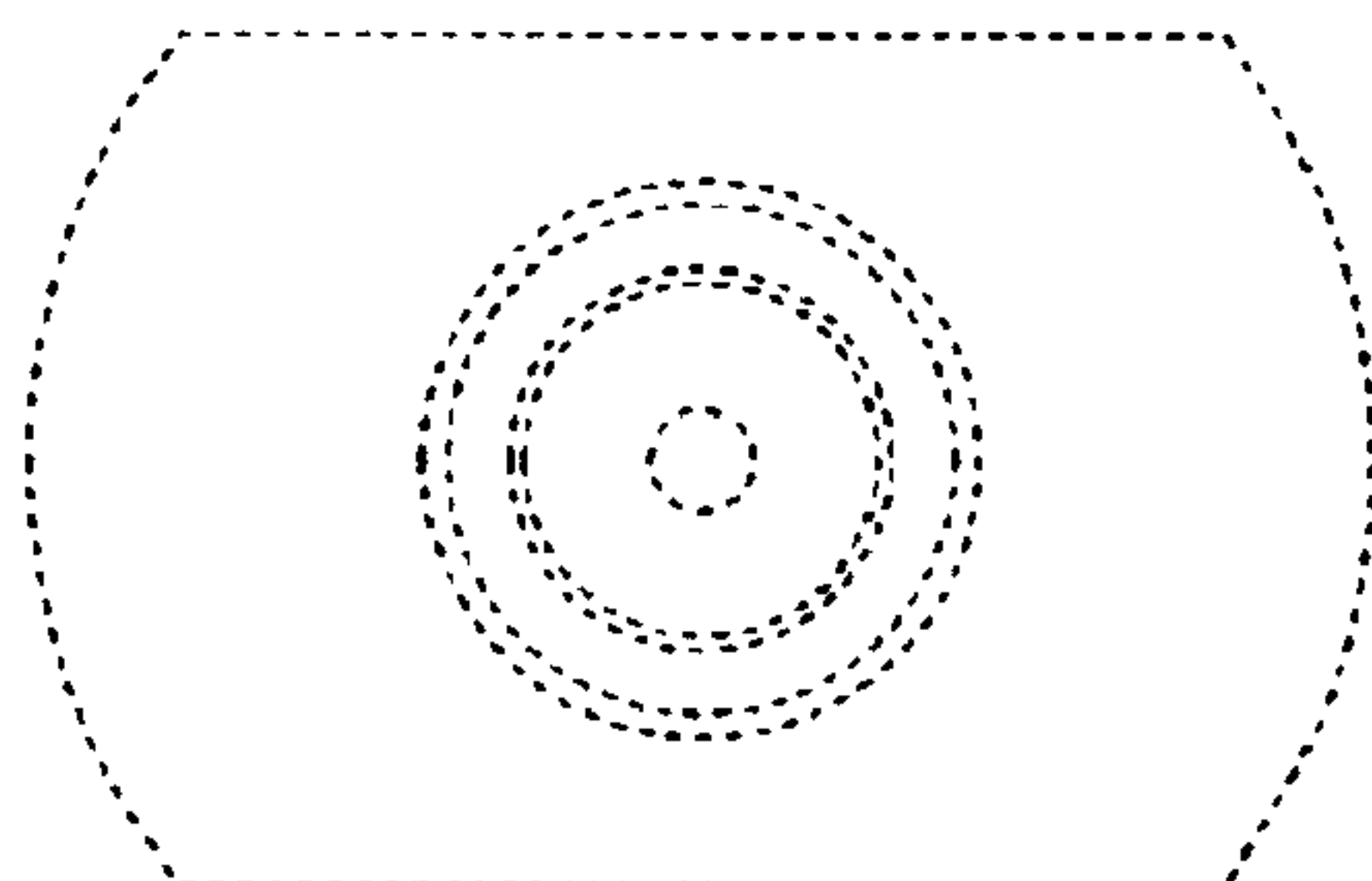


FIG. 10

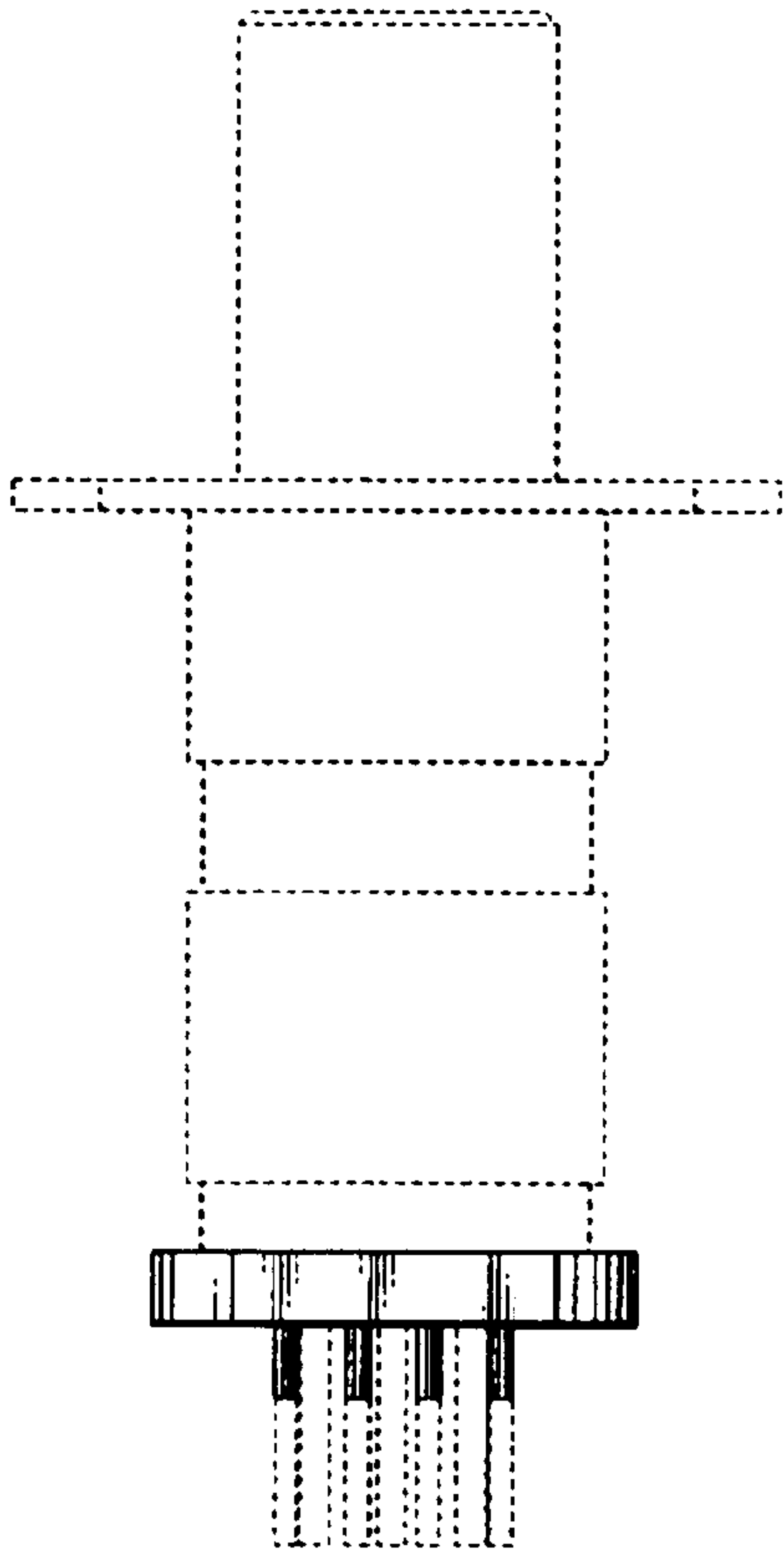


FIG. 11

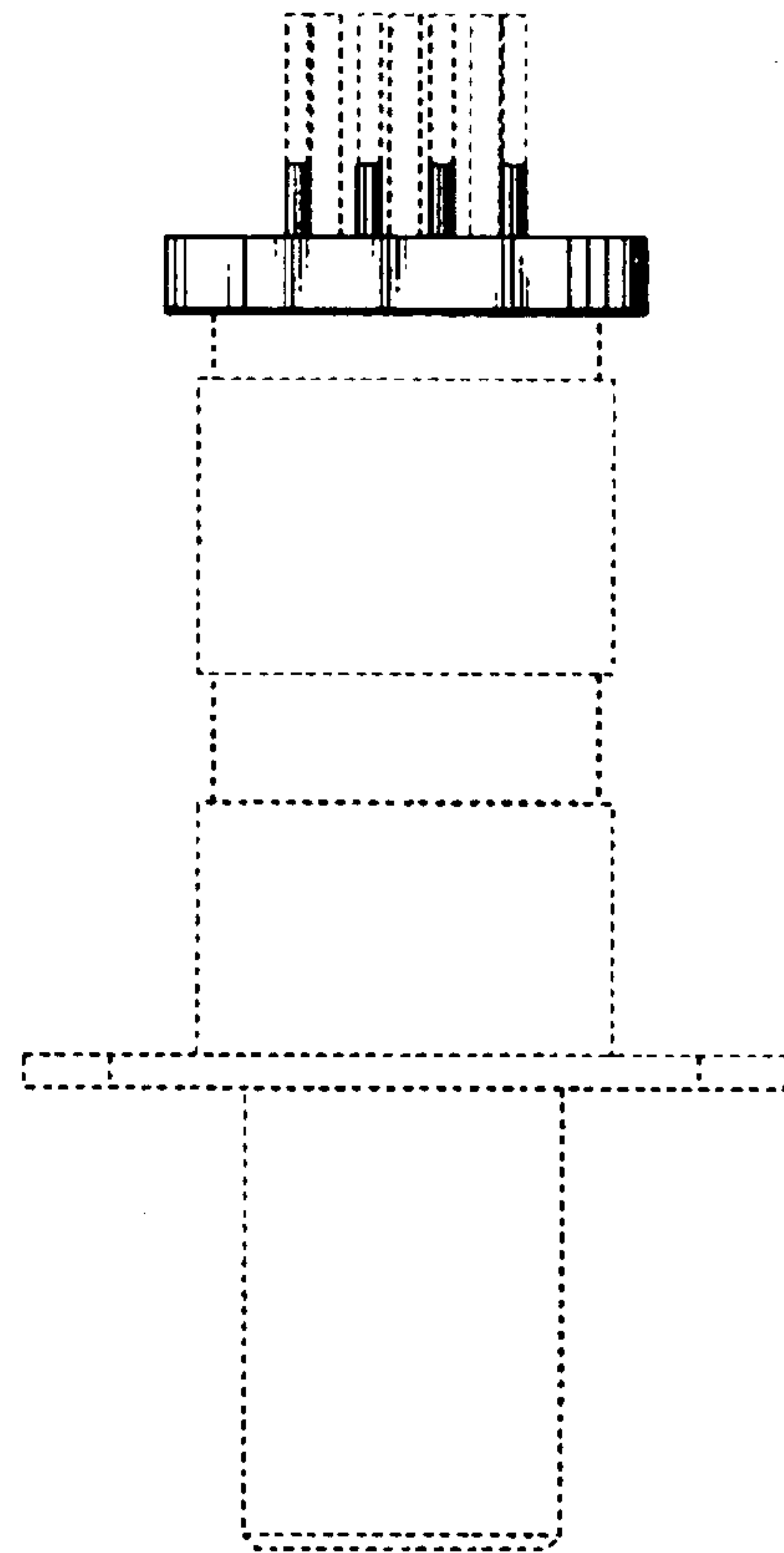


FIG. 12

