



US00D514529S

(12) **United States Design Patent**  
**Yu et al.**

(10) **Patent No.:** **US D514,529 S**  
(45) **Date of Patent:** **\*\* Feb. 7, 2006**

(54) **CLIP FOR HEAT SINK**

(75) Inventors: **Fang-Xiang Yu**, Shenzhen (CN);  
**Shu-Ho Lin**, Tu-Cheng (TW);  
**Meng-Tzu Lee**, Tu-Cheng (TW)

(73) Assignee: **Hon Hai Precision Industry Co., Ltd.**  
(TW)

(\*\*) Term: **14 Years**

(21) Appl. No.: **29/209,408**

(22) Filed: **Jul. 15, 2004**

(30) **Foreign Application Priority Data**

Mar. 13, 2004 (CN) ..... 2004300346933

(51) **LOC (8) Cl.** ..... **13-03**

(52) **U.S. Cl.** ..... **D13/179; D8/394**

(58) **Field of Classification Search** ..... D8/349,  
D8/394, 395; D13/179, 182, 199; 29/296,  
29/428; 165/80.2, 80.3; 248/200; 257/717,  
257/718; 361/704, 709

See application file for complete search history.

(56) **References Cited**

**U.S. PATENT DOCUMENTS**

- D28,052 S \* 12/1897 Bonshire ..... D8/394
- 928,855 A \* 7/1909 Dixon ..... 292/258
- D262,078 S \* 12/1981 Newton ..... D3/310
- D279,612 S \* 7/1985 Bacevius ..... D26/138
- D357,227 S \* 4/1995 Smithers ..... D13/179

- 6,522,545 B2 \* 2/2003 Shia et al. .... 361/704
- D492,655 S \* 7/2004 Yu ..... D13/179
- D501,450 S \* 2/2005 Watanabe et al. .... D13/179

\* cited by examiner

*Primary Examiner*—Louis S. Zarfaz

*Assistant Examiner*—John Windmuller

(74) *Attorney, Agent, or Firm*—Morris Manning & Martin;  
Tim Tingkang Xia, Esq.

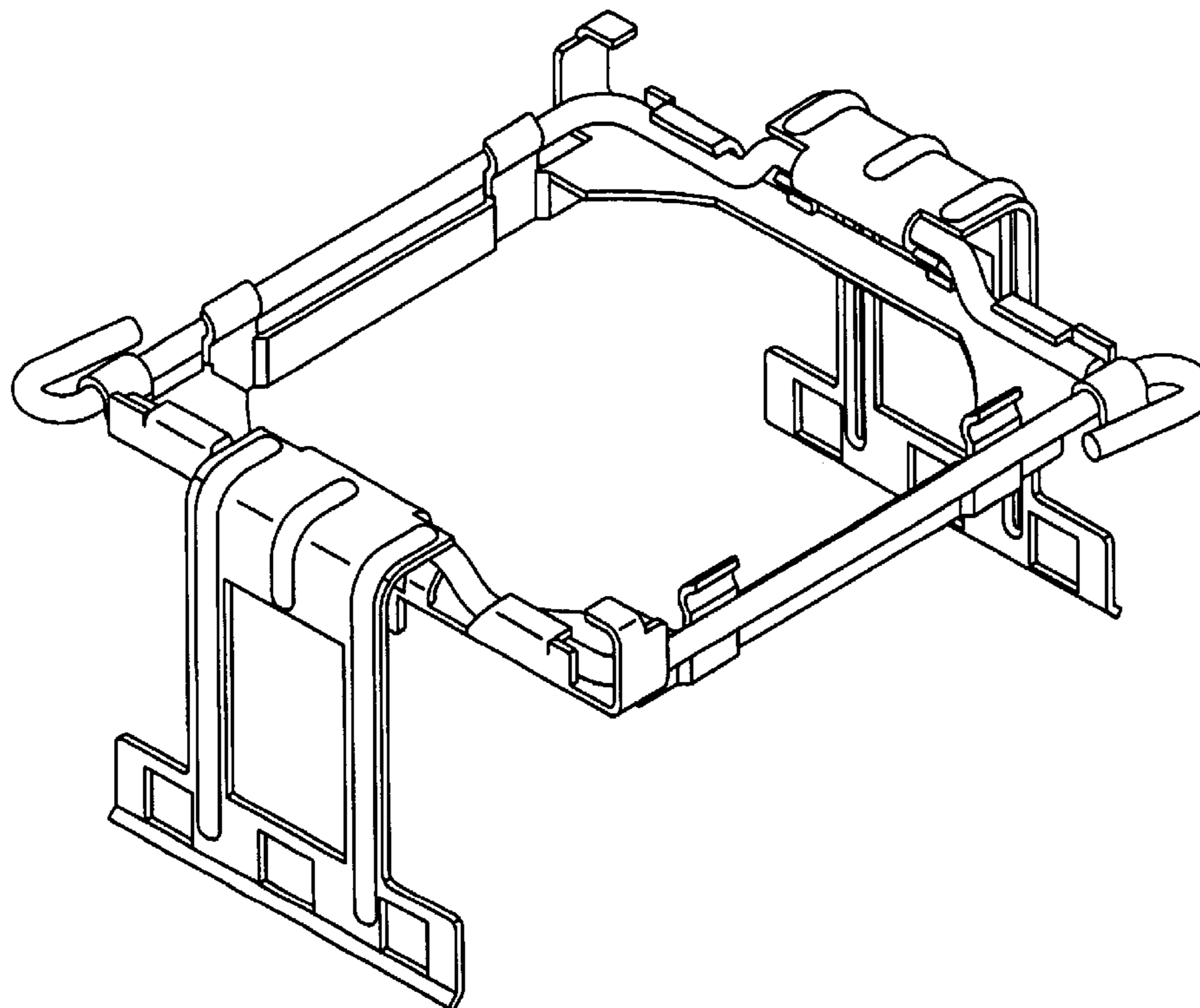
(57) **CLAIM**

The ornamental design for a clip for heat sink, as shown and described.

**DESCRIPTION**

FIG. 1 is an isometric view of a clip for heat sink showing our new design;  
 FIG. 2 is a front elevational view thereof;  
 FIG. 3 is a rear elevational view thereof;  
 FIG. 4 is a left side elevational view thereof;  
 FIG. 5 is a right side elevational view thereof;  
 FIG. 6 is a top plan view thereof;  
 FIG. 7 is a bottom plan view thereof;  
 FIG. 8 is an isometric view thereof in an alternate position of use; and,  
 FIG. 9 is an isometric view thereof showing the clip for heat sink being used to mount a heat sink to a retention module, wherein the heat sink and the retention module are shown in broken lines for illustrative purpose only and form no part of the claimed design.

**1 Claim, 7 Drawing Sheets**



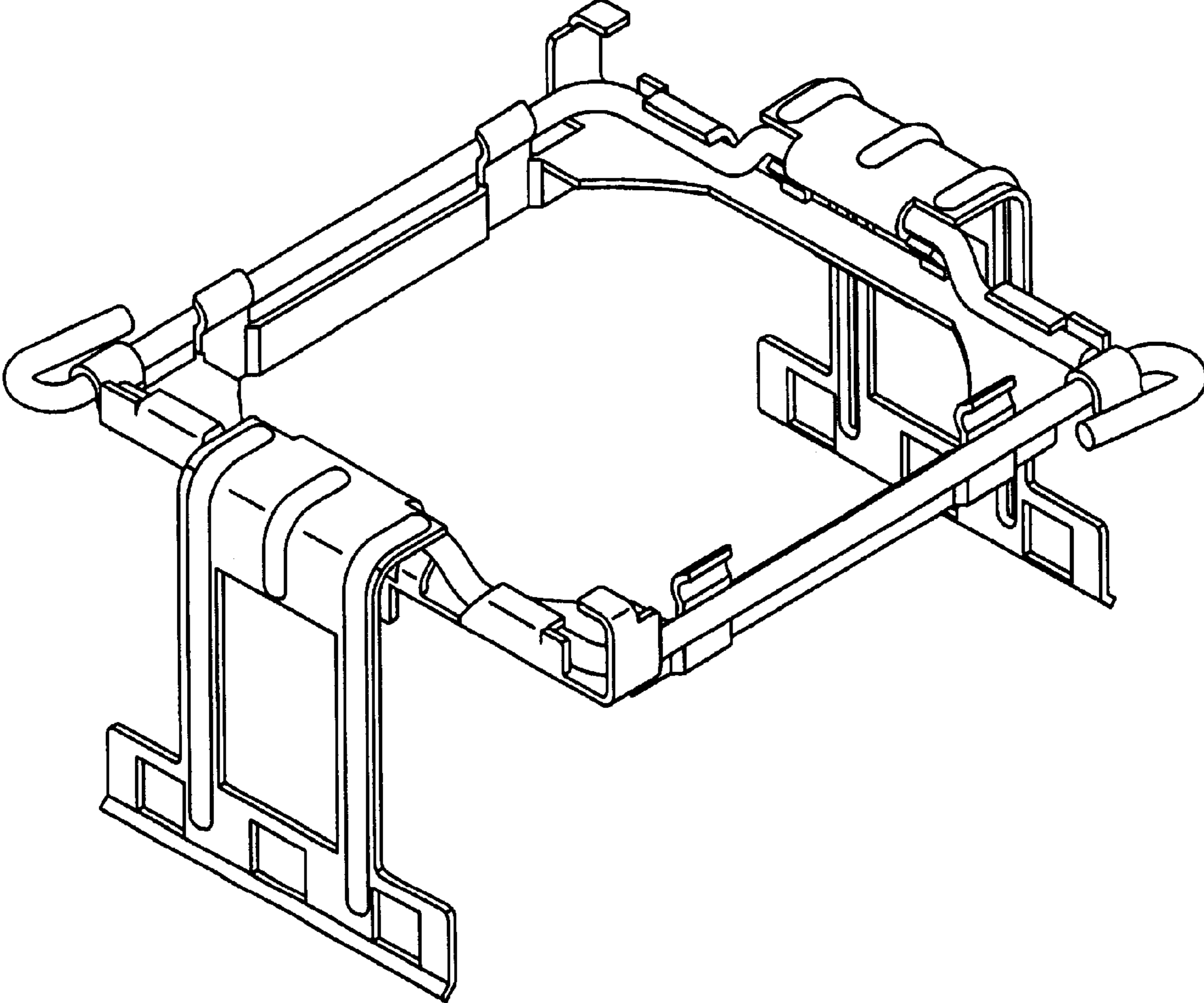


FIG. 1

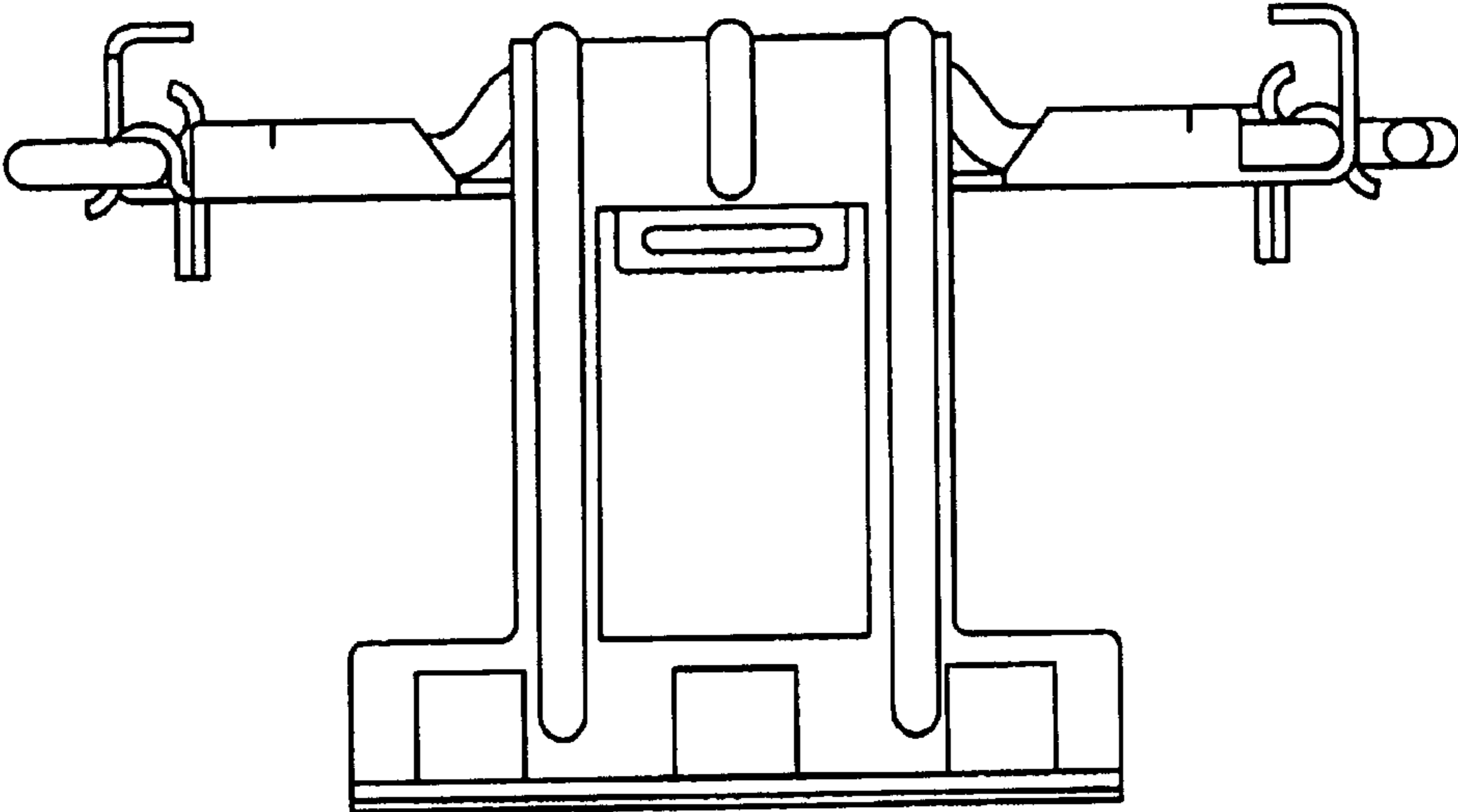


FIG. 2

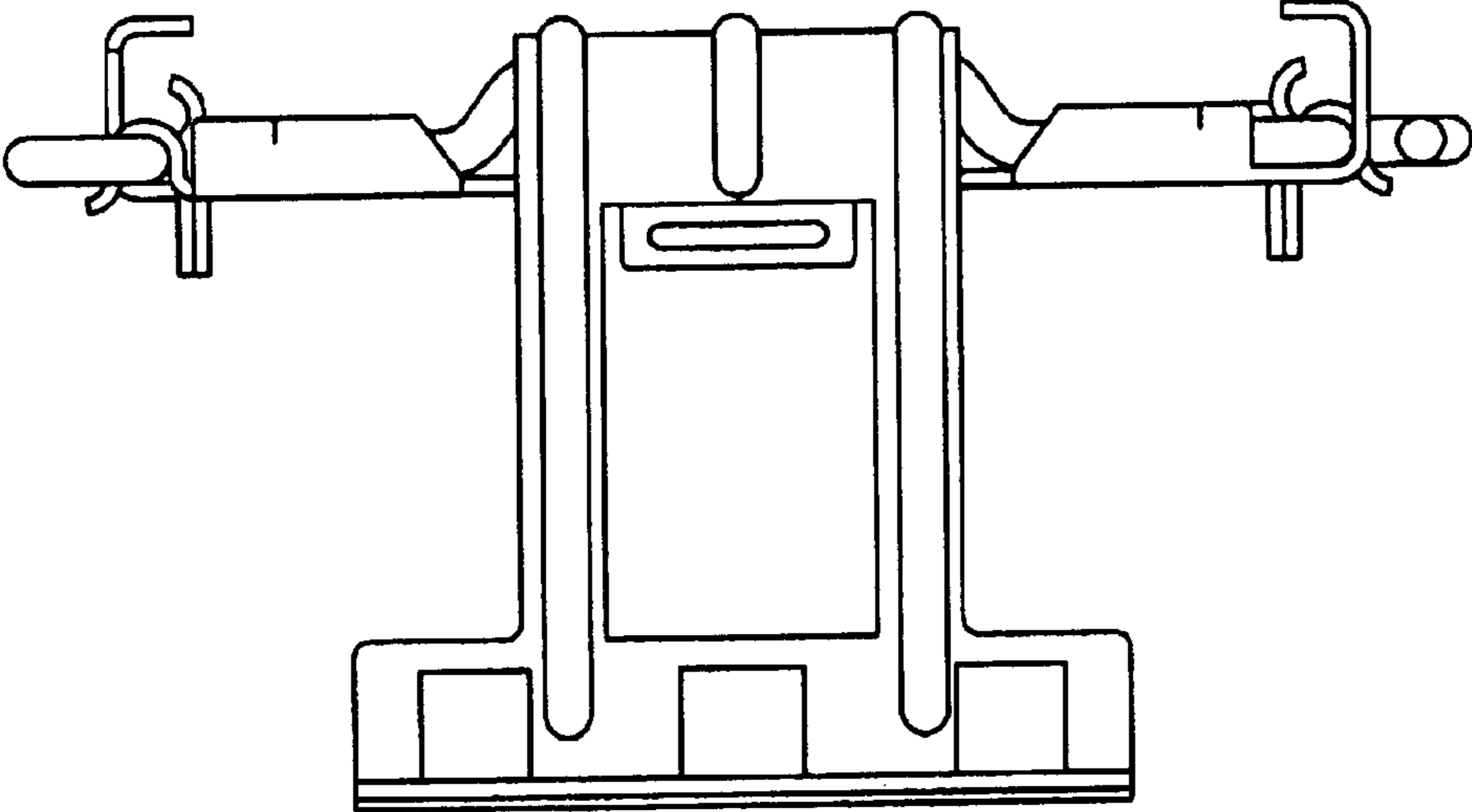


FIG. 3

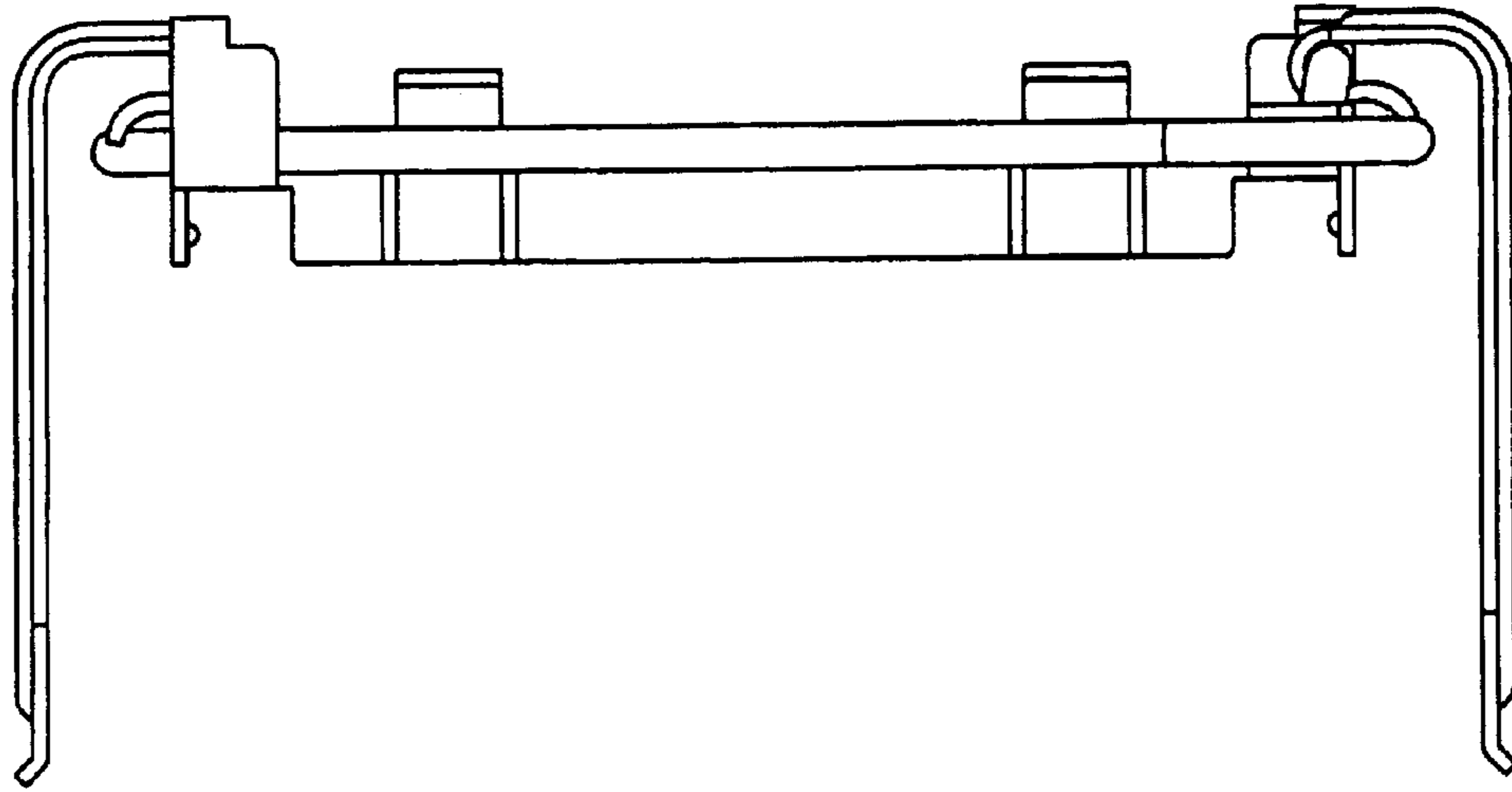


FIG. 4

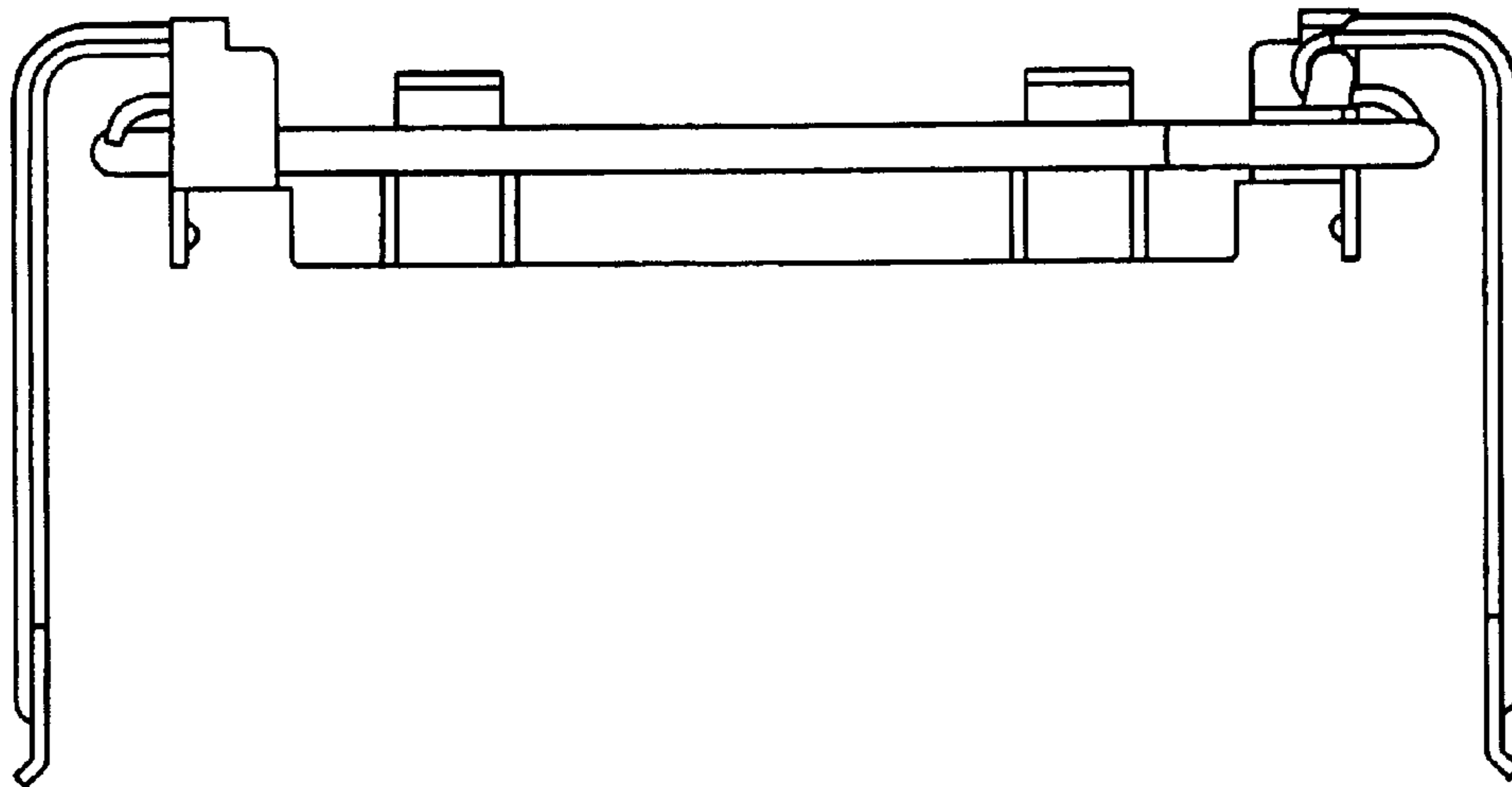


FIG. 5

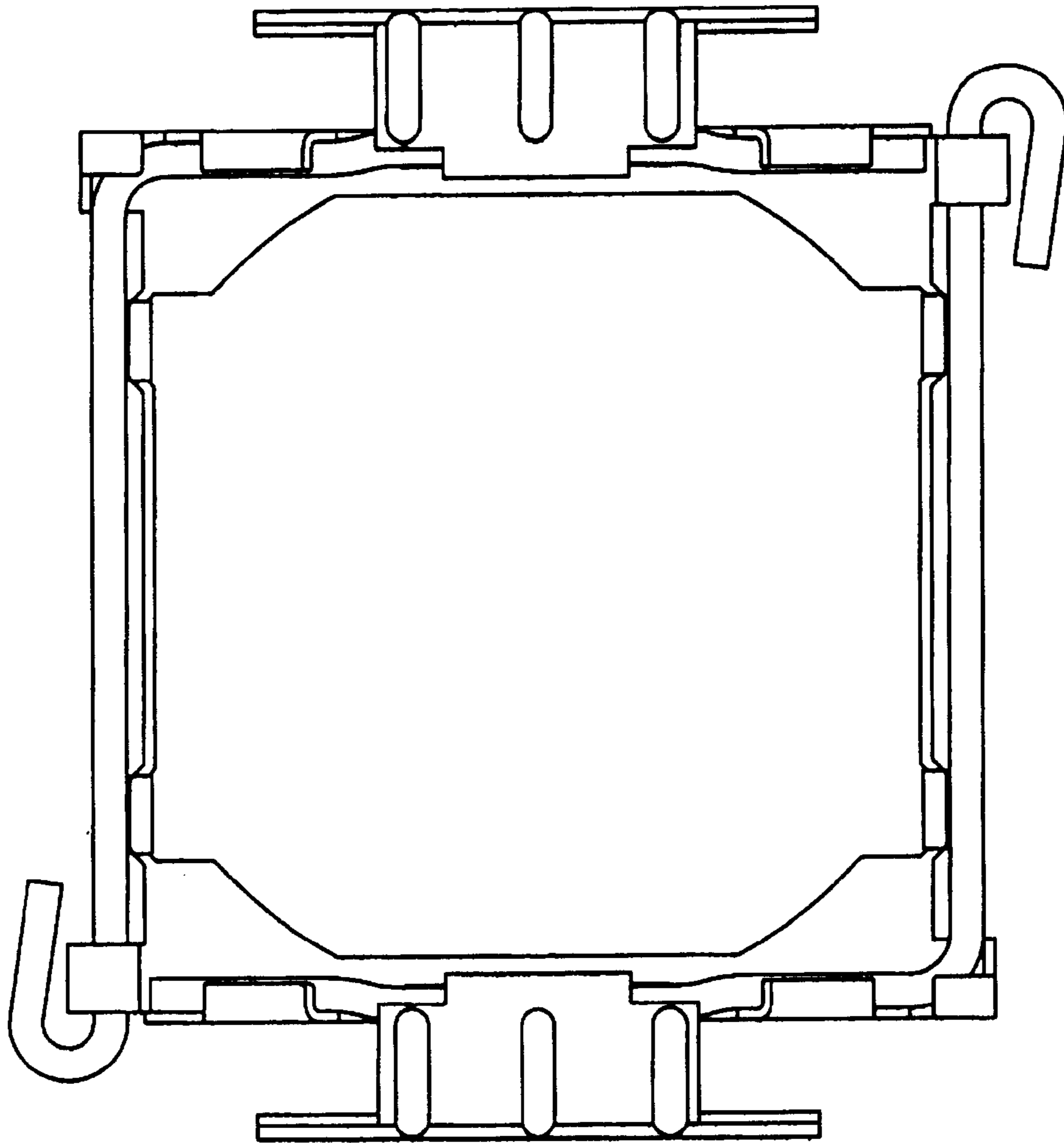


FIG. 6

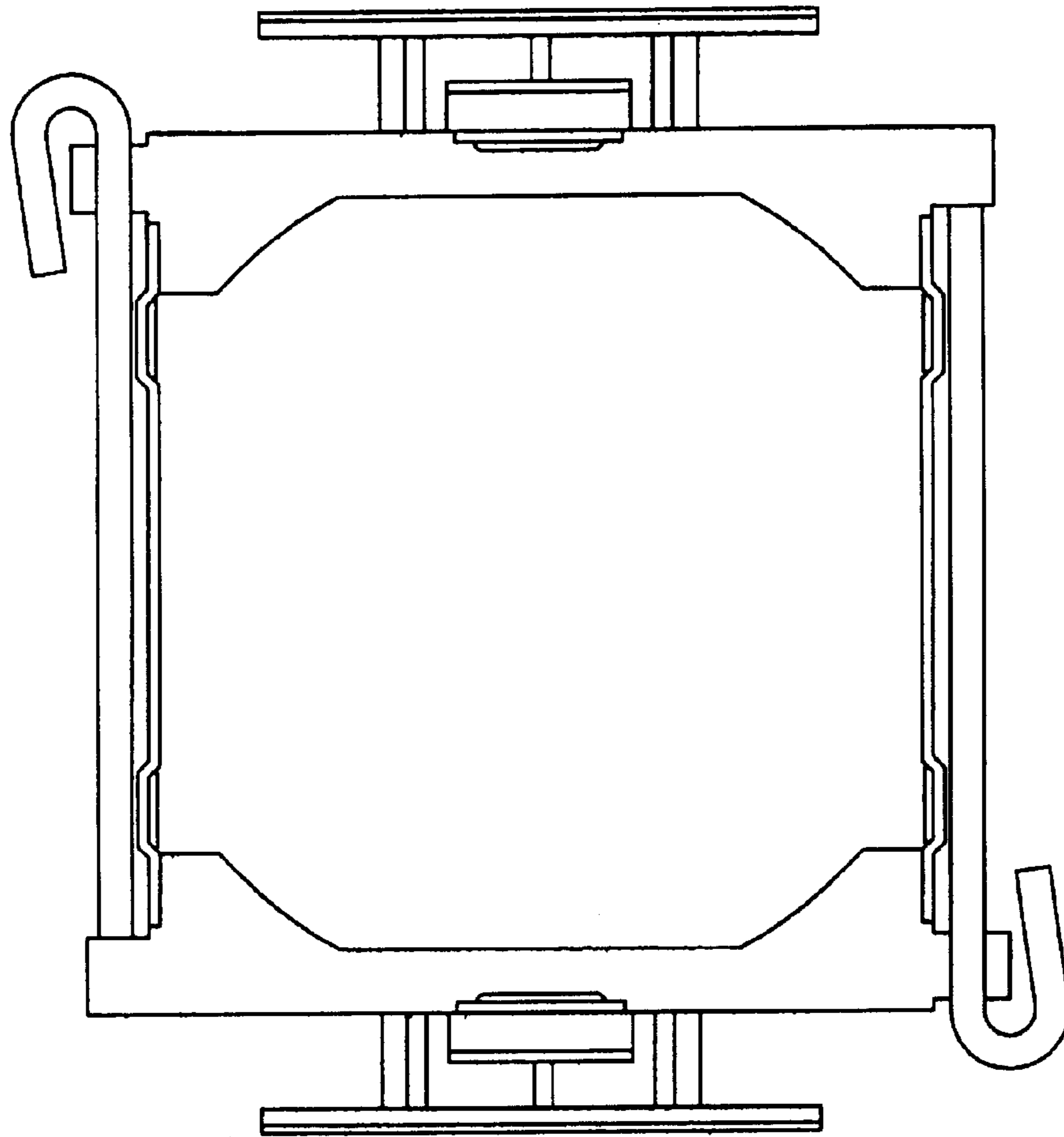


FIG. 7

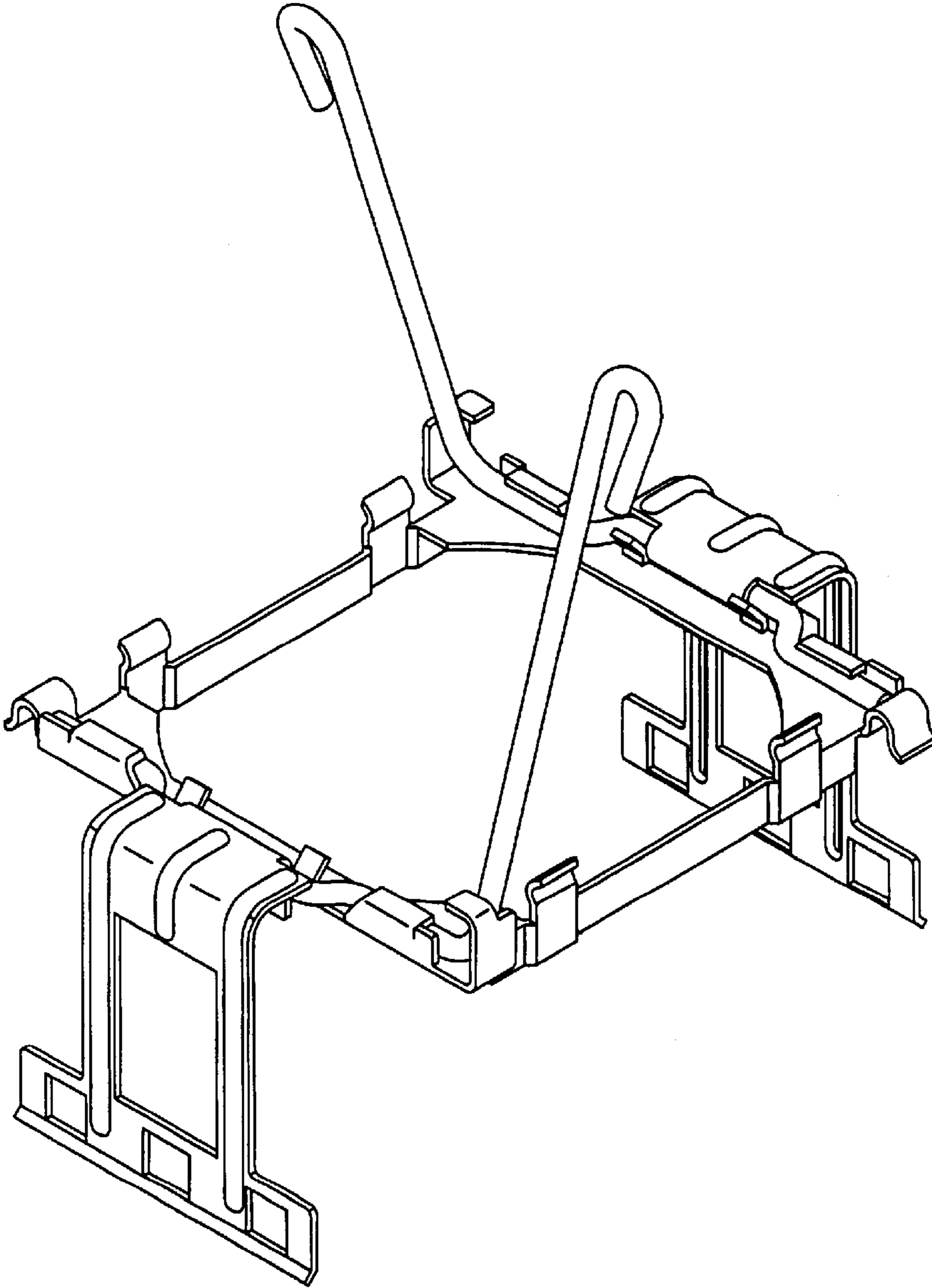


FIG. 8

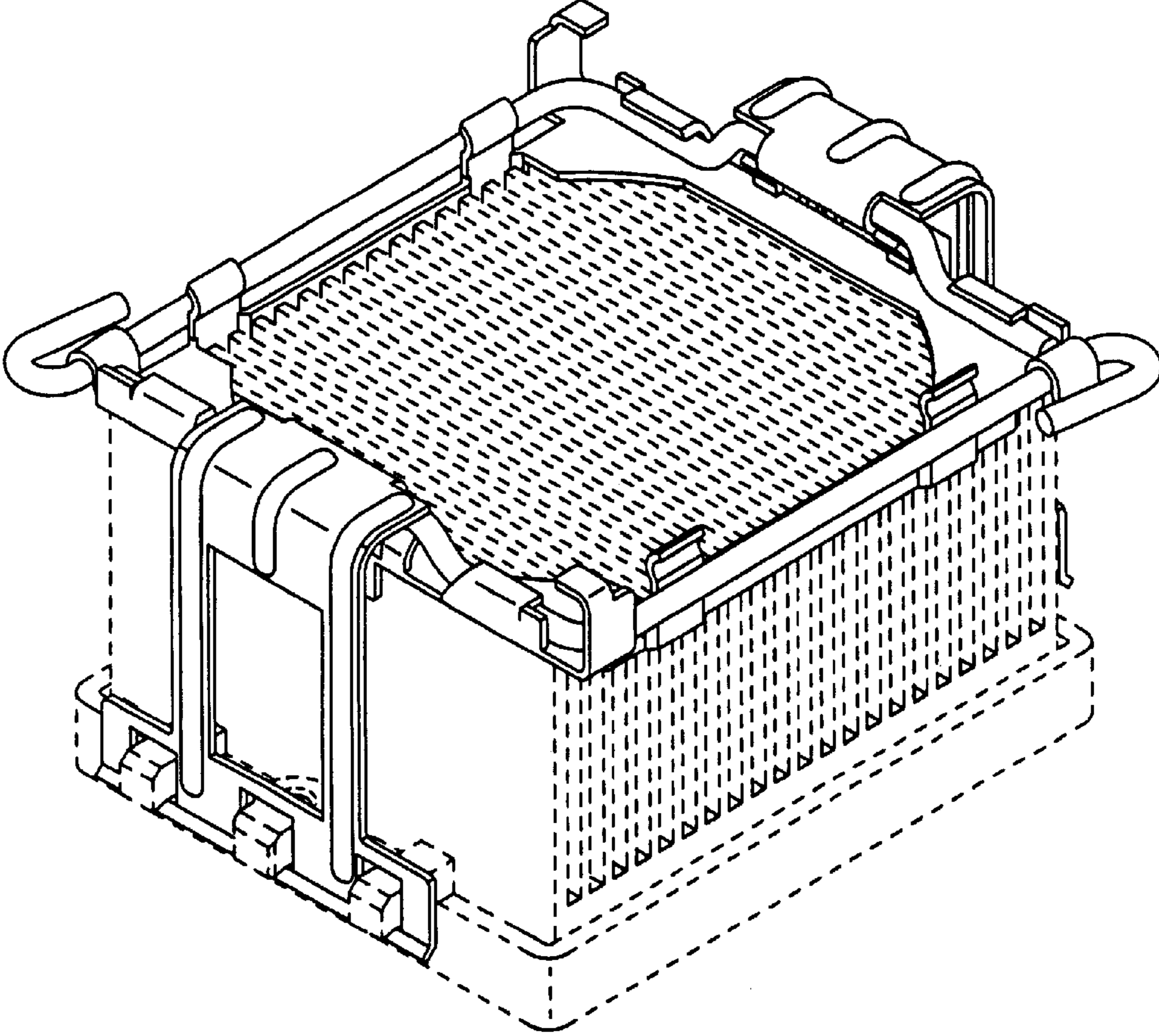


FIG. 9