



US00D514526S

(12) **United States Design Patent**
Chen et al.

(10) **Patent No.:** **US D514,526 S**

(45) **Date of Patent:** **** Feb. 7, 2006**

(54) **REMOTE CONTROL DEVICE**

(75) Inventors: **Yung-Song Chen**, Fengshan (TW);
Cheng-Shan Lin, Jhonghe (TW);
Yung-Chuan Ma, Taoyuan (TW);
Chien-Jui Wang, Taipei (TW)

(73) Assignee: **Benq Corporation**, Taoyuan (TW)

(**) Term: **14 Years**

(21) Appl. No.: **29/213,942**

(22) Filed: **Sep. 24, 2004**

(30) **Foreign Application Priority Data**

Jun. 30, 2004 (TW) 93303843

(51) **LOC (8) Cl.** **13-03**

(52) **U.S. Cl.** **D13/168**

(58) **Field of Classification Search** D13/168;
D10/78, 104, 106; D14/218, 247; 340/825.22,
340/825.24, 825.25, 825.31, 825.36, 825.69,
340/825.72; 348/734; 379/102.01, 102.03;
455/100, 128, 151.1–151.4, 352–355
See application file for complete search history.

(56) **References Cited**

U.S. PATENT DOCUMENTS

6,075,575 A * 6/2000 Schein et al. 348/734

D450,662 S * 11/2001 Kwok D13/168
D451,076 S * 11/2001 Sommer et al. D13/168
D477,590 S * 7/2003 Ahn D14/218

* cited by examiner

Primary Examiner—Stella Reid

Assistant Examiner—Selina Sikder

(74) *Attorney, Agent, or Firm*—Thomas, Kayden,
Horstemeyer & Risley

(57) **CLAIM**

The ornamental design for a remote control device, as shown and described.

DESCRIPTION

FIG. 1 is a perspective view of a remote control device showing our new design;

FIG. 2 is a front elevational view thereof;

FIG. 3 is a rear elevational view thereof;

FIG. 4 is a left side elevational view thereof;

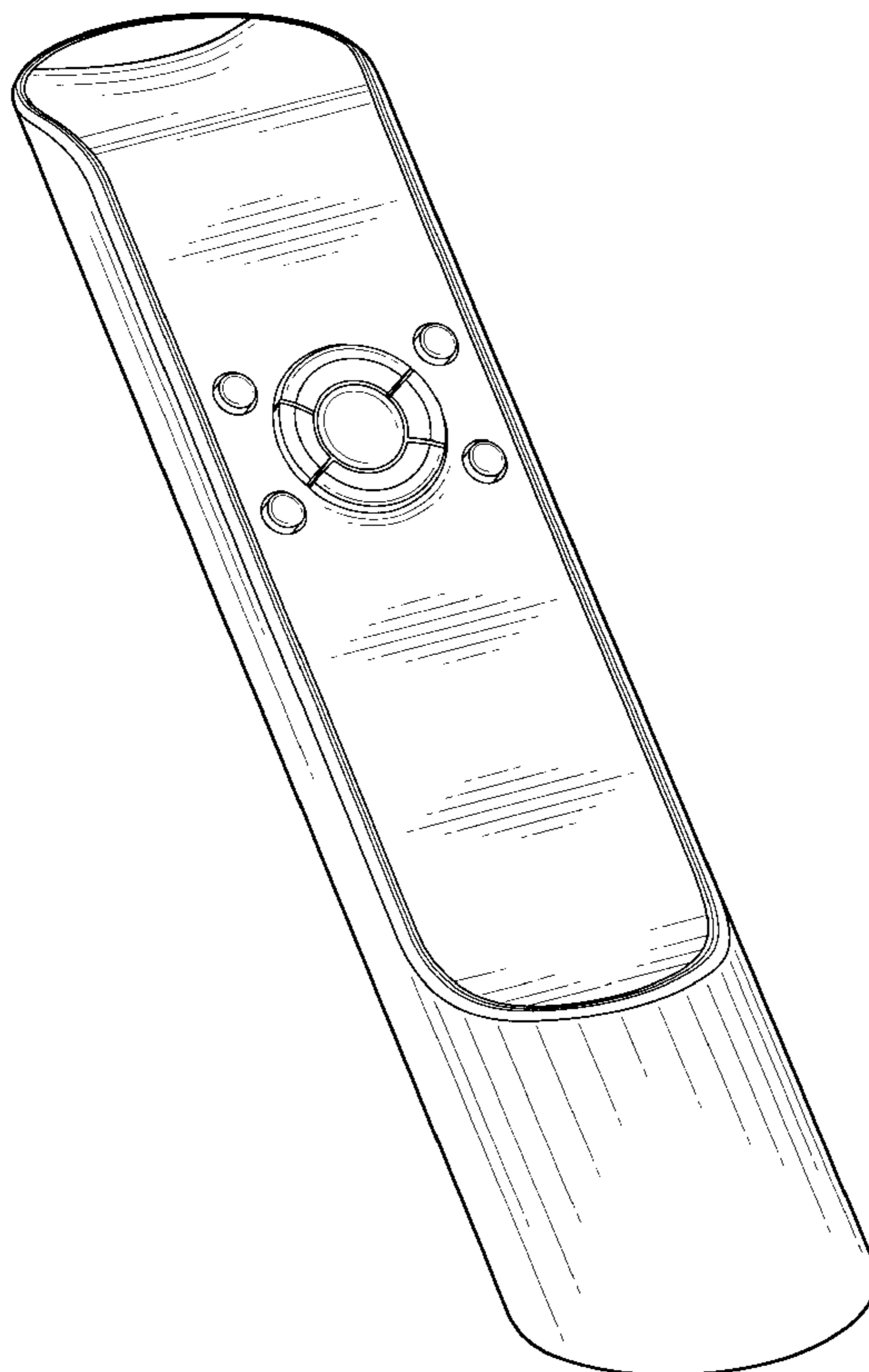
FIG. 5 is a right side elevational view thereof;

FIG. 6 is a top plan view thereof;

FIG. 7 is a bottom plan view thereof; and,

FIG. 8 is a rear perspective view thereof.

1 Claim, 7 Drawing Sheets



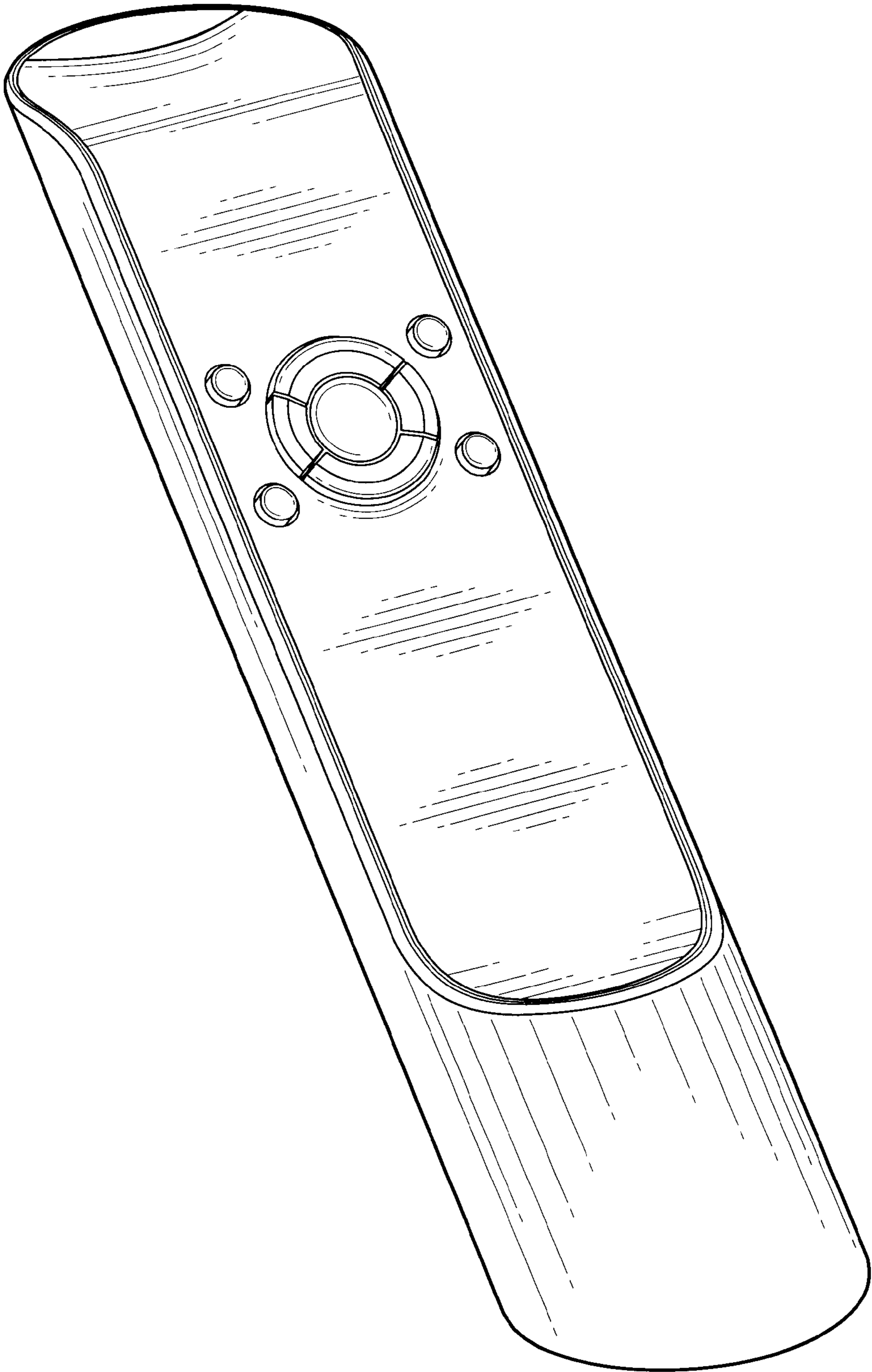


FIG. 1

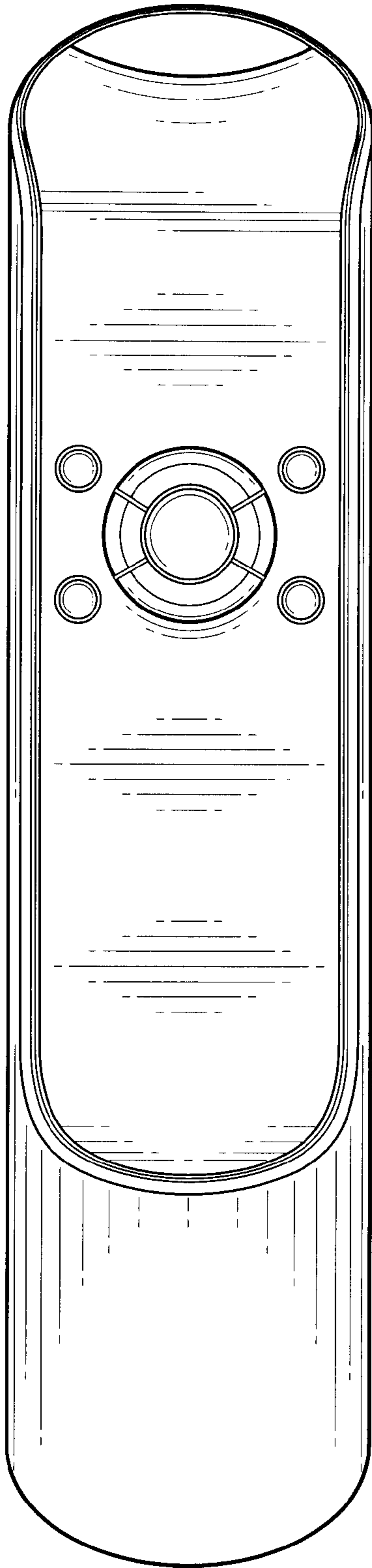


FIG. 2

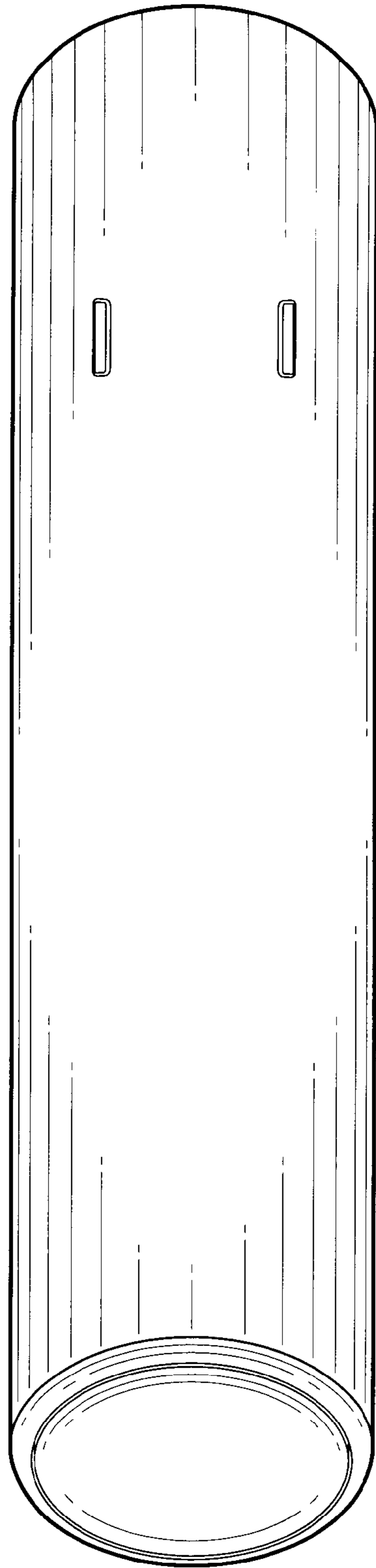


FIG. 3

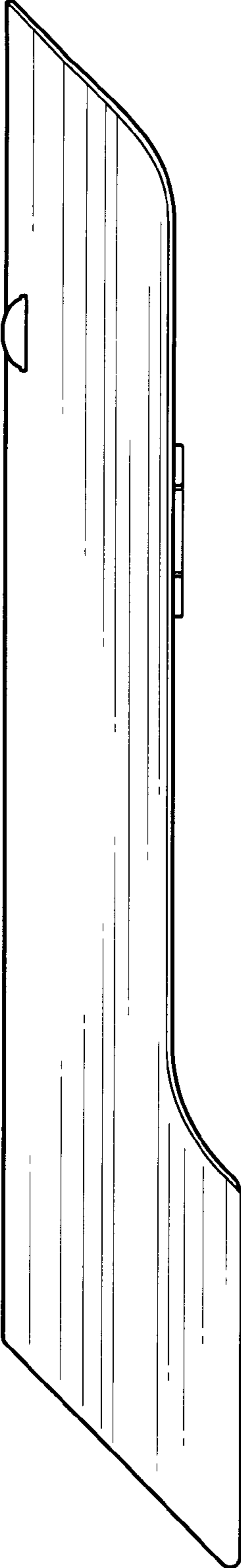


FIG. 4

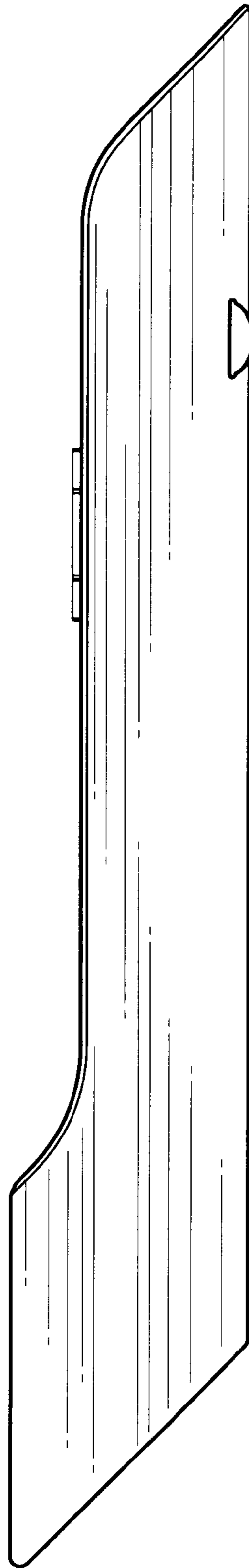


FIG. 5

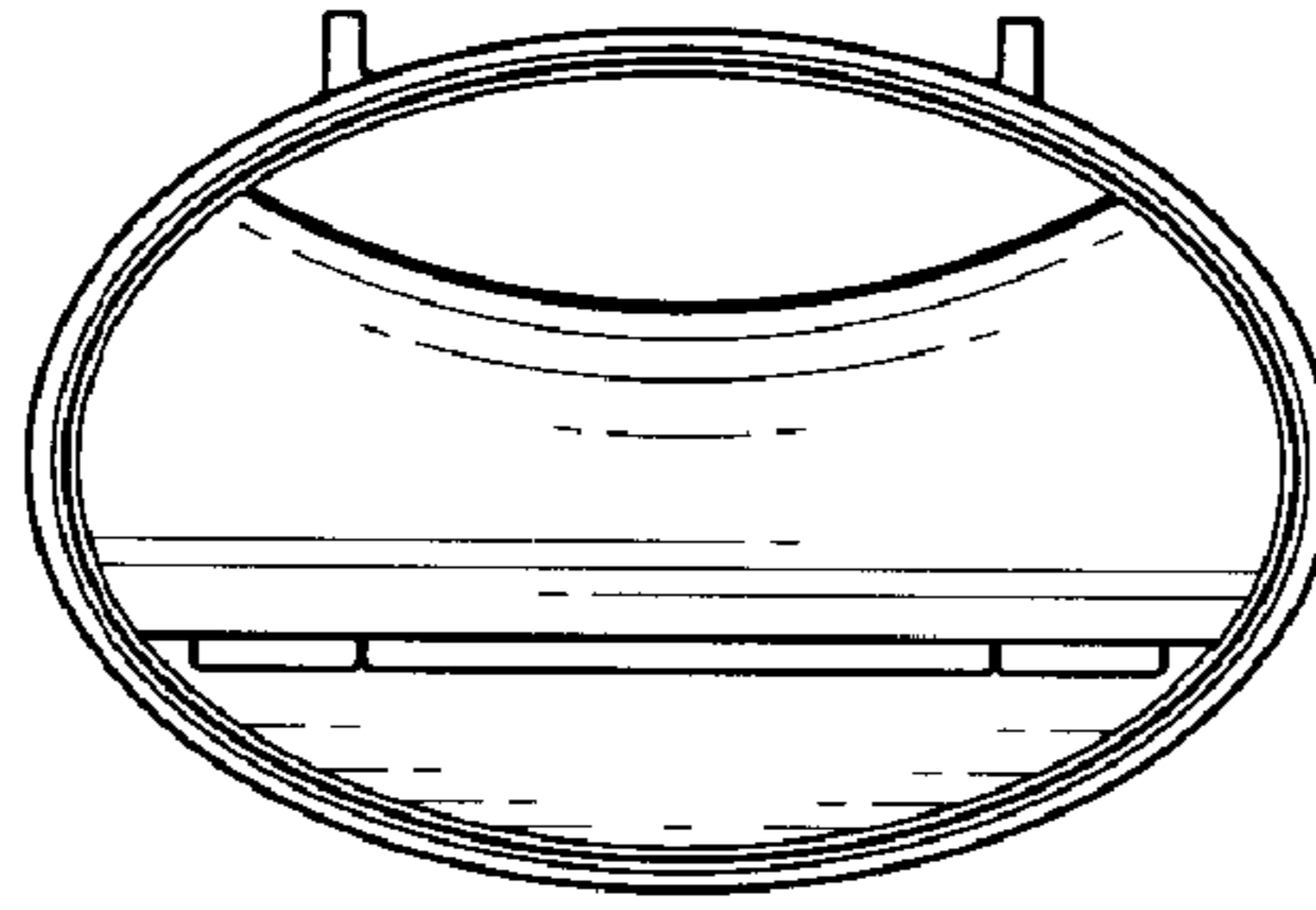


FIG. 6

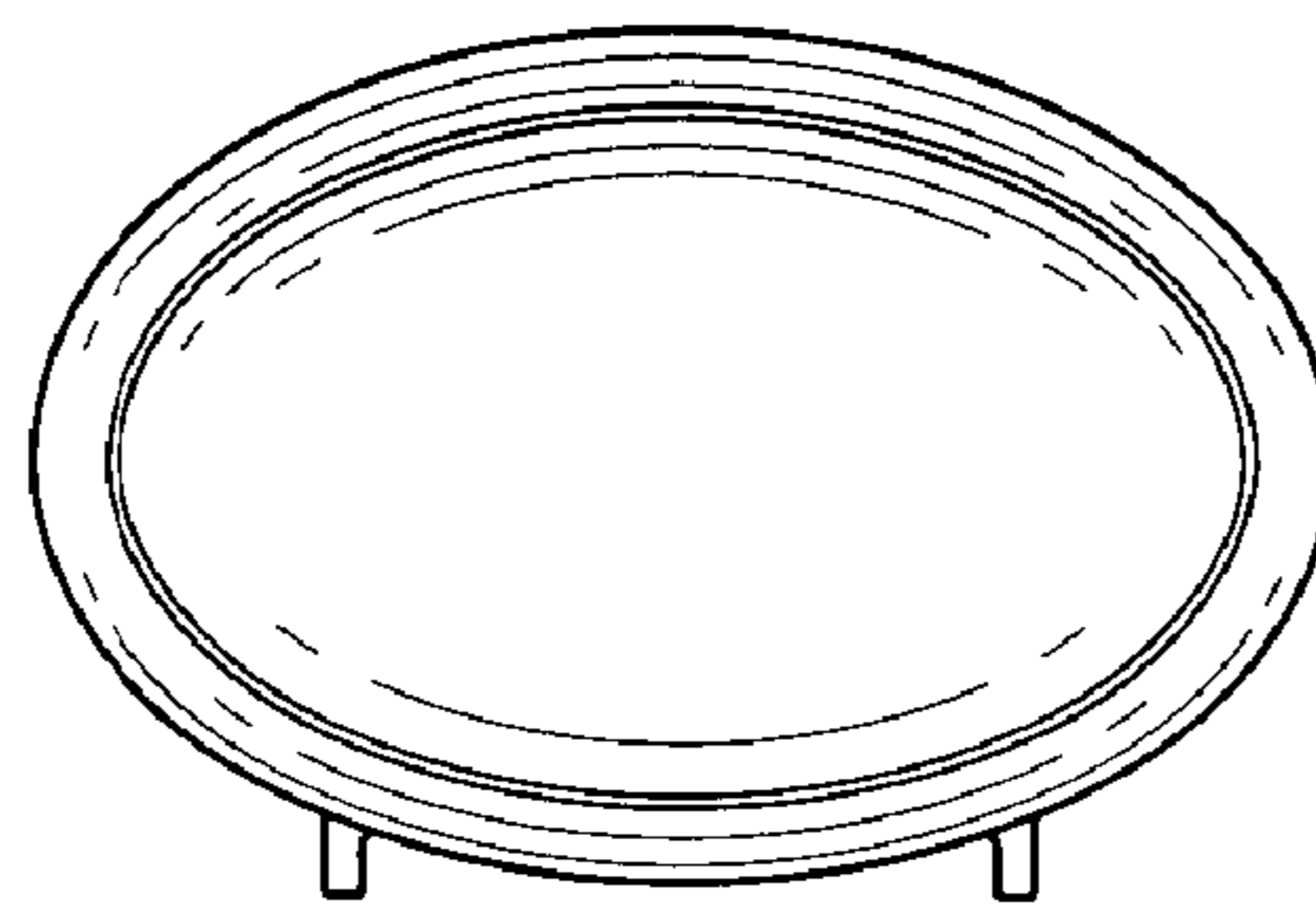


FIG. 7

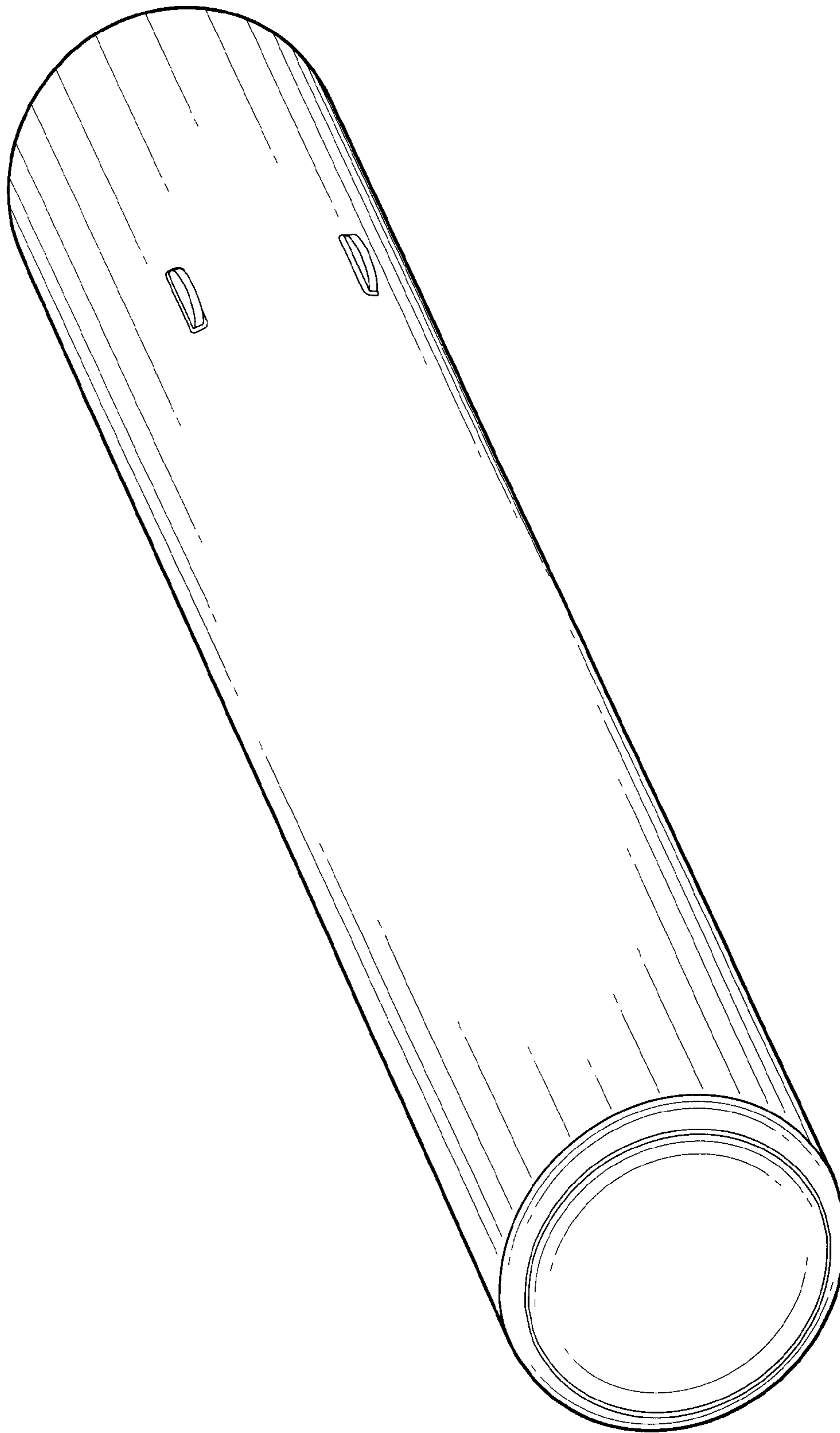


FIG. 8