



US00D514524S

(12) **United States Design Patent**  
**Suckle**

(10) **Patent No.:** **US D514,524 S**

(45) **Date of Patent:** **\*\* Feb. 7, 2006**

(54) **ANGLED SCART CABLE HEAD**

6,428,357 B1 \* 8/2002 Dolinshek et al. .... 439/606  
D471,870 S \* 3/2003 Lee ..... D13/147

(75) Inventor: **Mitchell Suckle**, Long Beach, CA (US)

\* cited by examiner

(73) Assignee: **Belkin Corporation**, Compton, CA (US)

*Primary Examiner*—Holly Baynham  
*Assistant Examiner*—Cynthia M. Chin

(\*\*) Term: **14 Years**

(74) *Attorney, Agent, or Firm*—Bryan Cave LLP

(21) Appl. No.: **29/217,869**

(57) **CLAIM**

(22) Filed: **Nov. 22, 2004**

The ornamental design for an angled scart cable head, as shown and described.

(51) **LOC (8) Cl.** ..... **13-03**

(52) **U.S. Cl.** ..... **D13/156**

(58) **Field of Classification Search** ..... D13/133,  
D13/146, 147, 154, 156; 439/582, 694, 884,  
439/610; D14/256, 433

See application file for complete search history.

**DESCRIPTION**

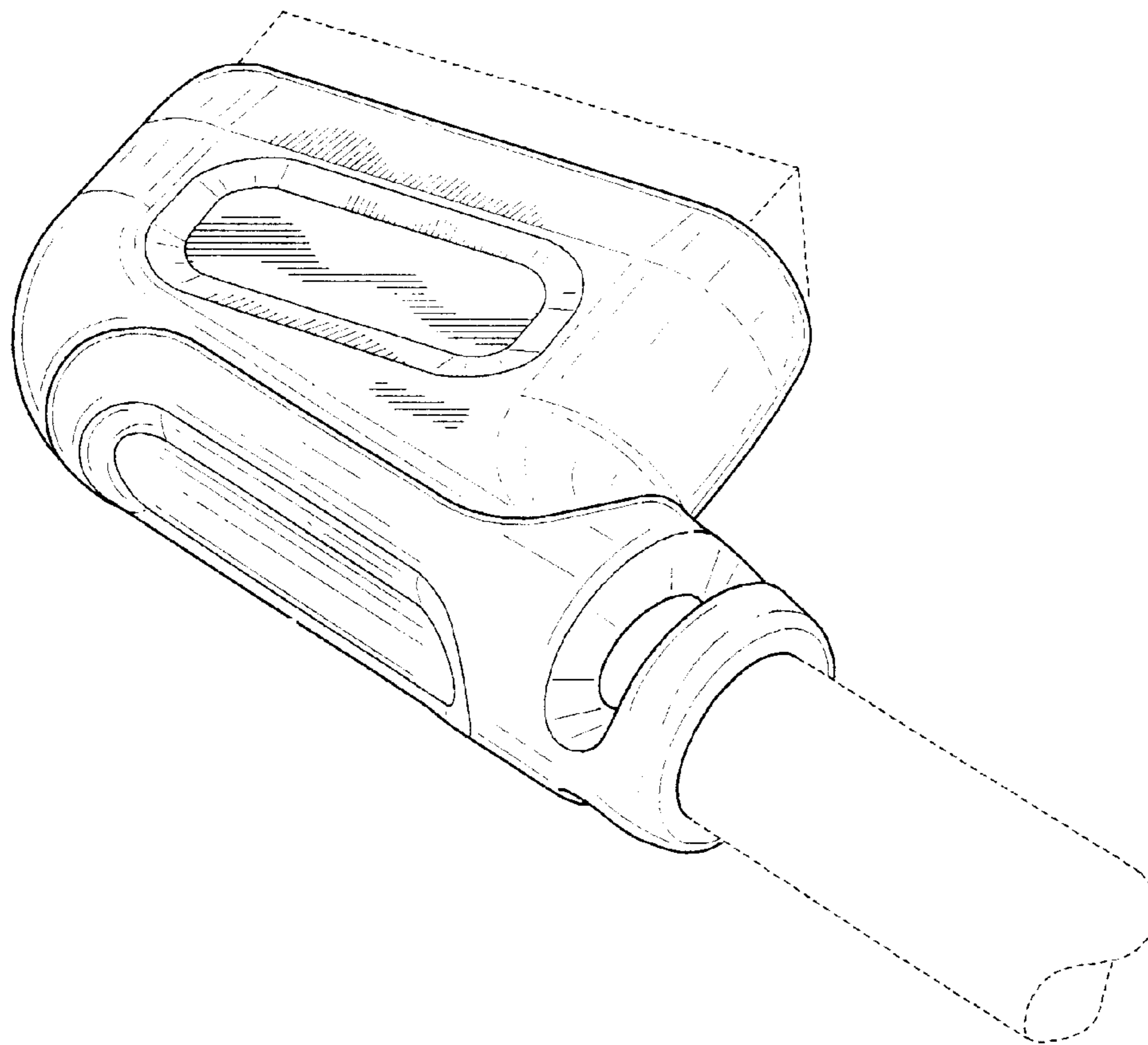
FIG. 1 is a front view of an angled scart cable head;  
FIG. 2 is a rear view thereof;  
FIG. 3 is a left side view thereof;  
FIG. 4 is a right side view thereof;  
FIG. 5 is a top view thereof;  
FIG. 6 is a bottom view thereof;  
FIG. 7 is a rear, left, bottom perspective view thereof; and,  
FIG. 8 is a front, right, bottom perspective view thereof.  
The broken lines in the drawings are for illustrative purposes only and form no part of the claimed design.

(56) **References Cited**

**U.S. PATENT DOCUMENTS**

D229,314 S	*	11/1973	Averitt	.....	D13/151
4,838,808 A	*	6/1989	Fujiura	.....	439/357
D415,111 S	*	10/1999	Lee	.....	D13/154
D444,788 S	*	7/2001	Do et al.	.....	D14/433
D455,401 S	*	4/2002	Goto	.....	D13/147

**1 Claim, 2 Drawing Sheets**



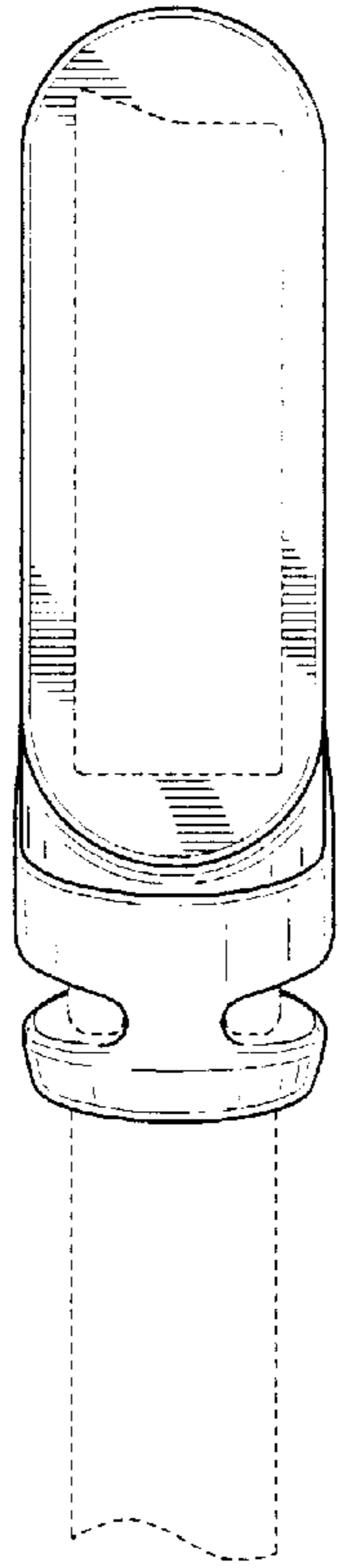


FIG.1

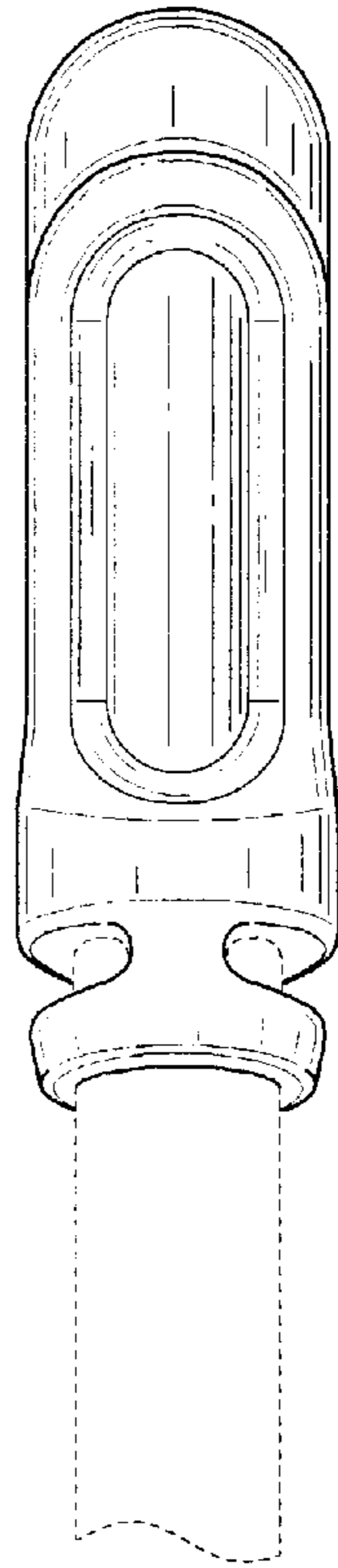


FIG.2

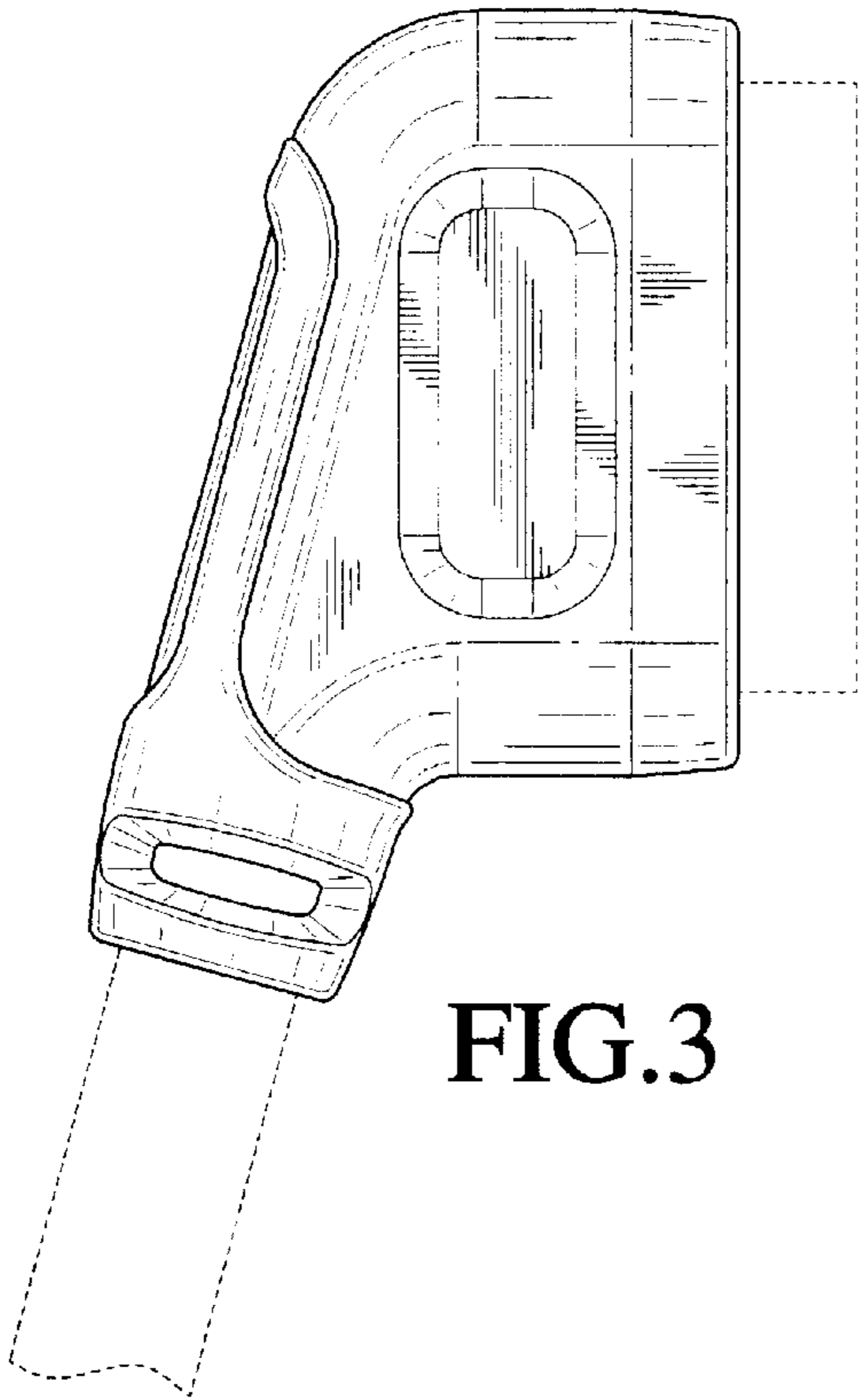


FIG.3

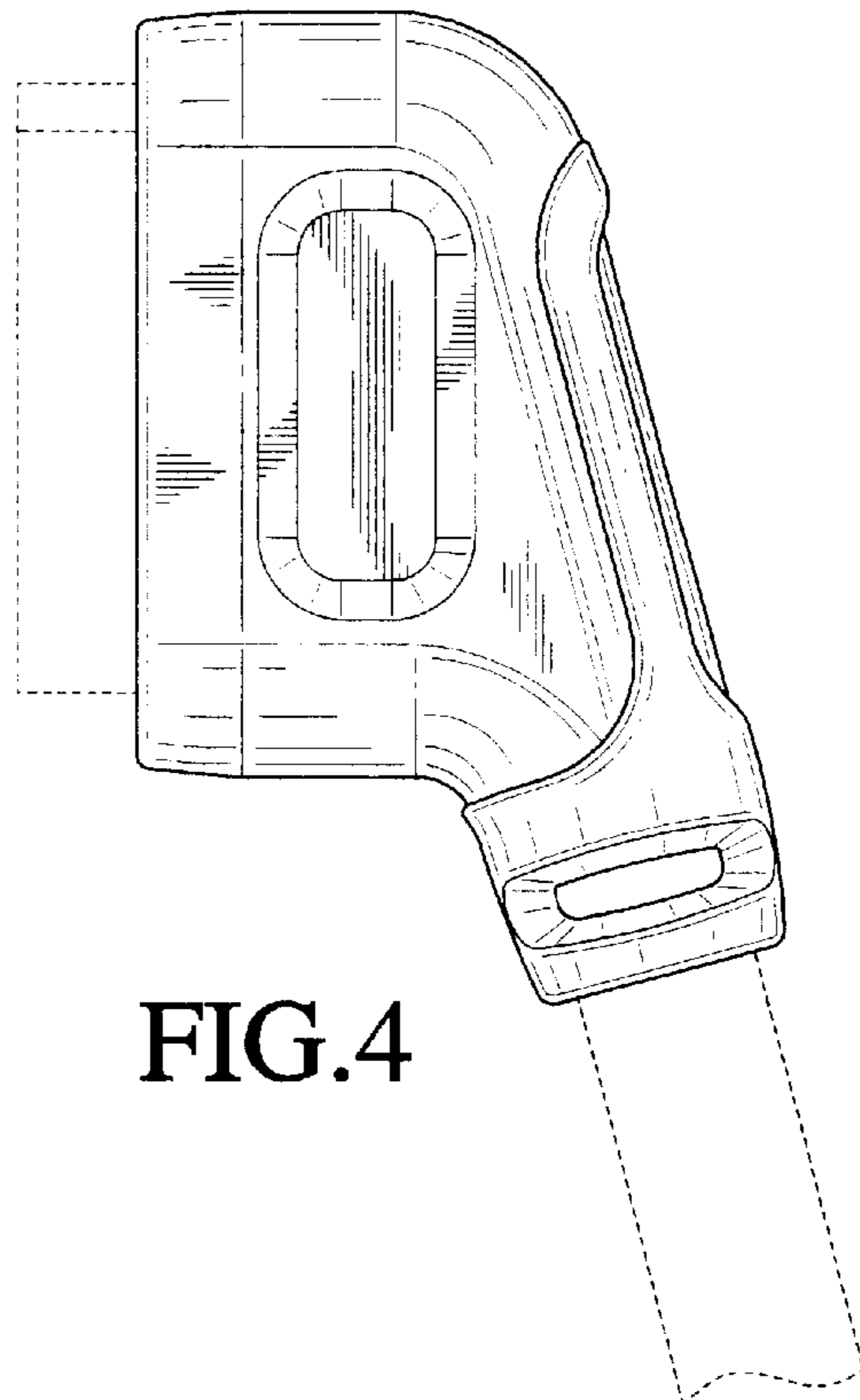


FIG.4

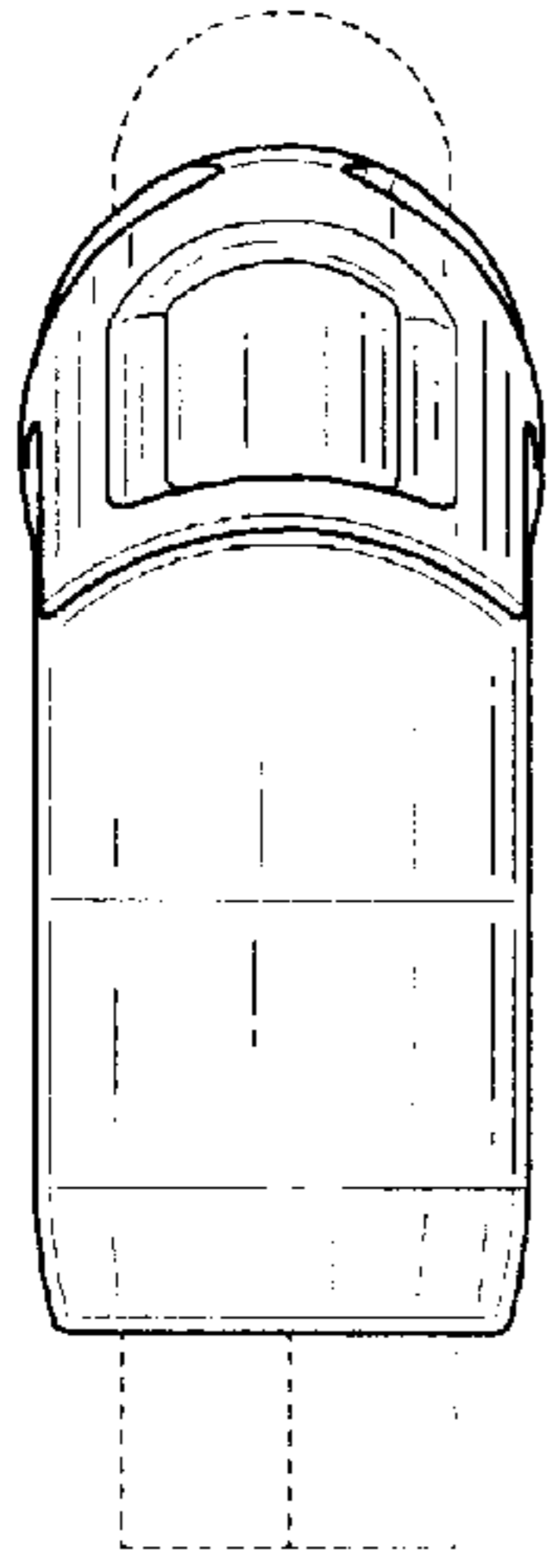


FIG. 5

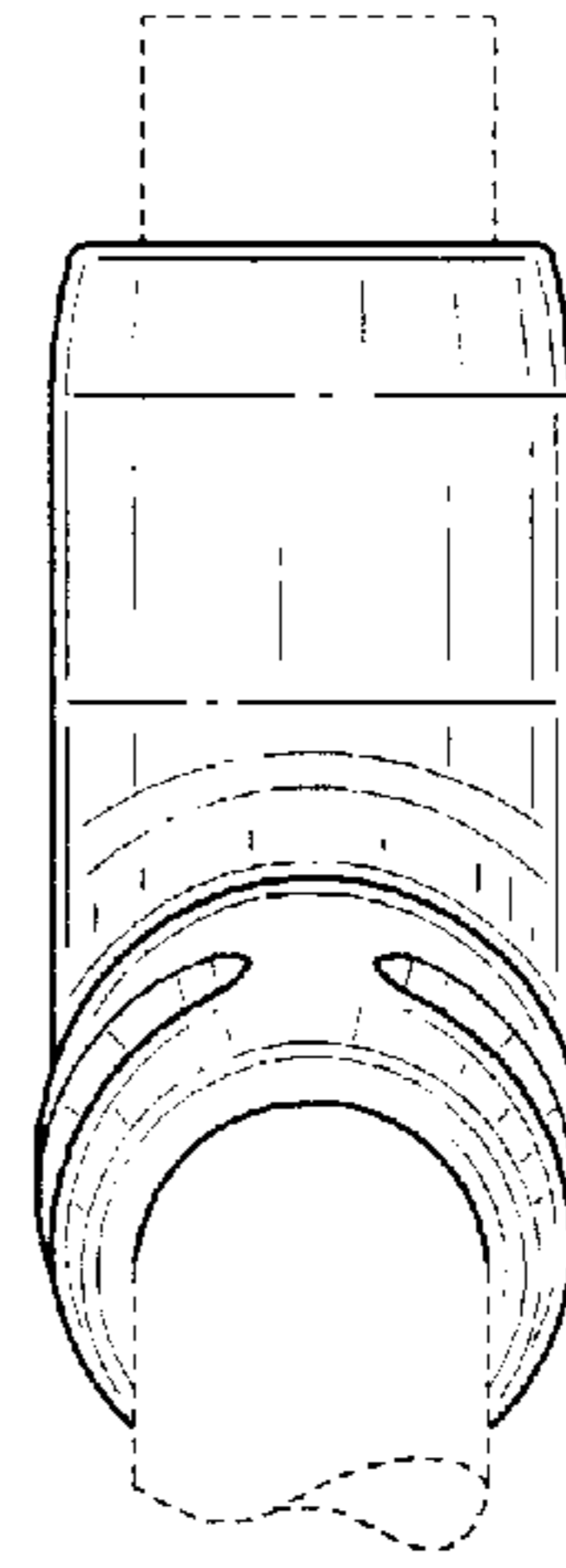


FIG. 6

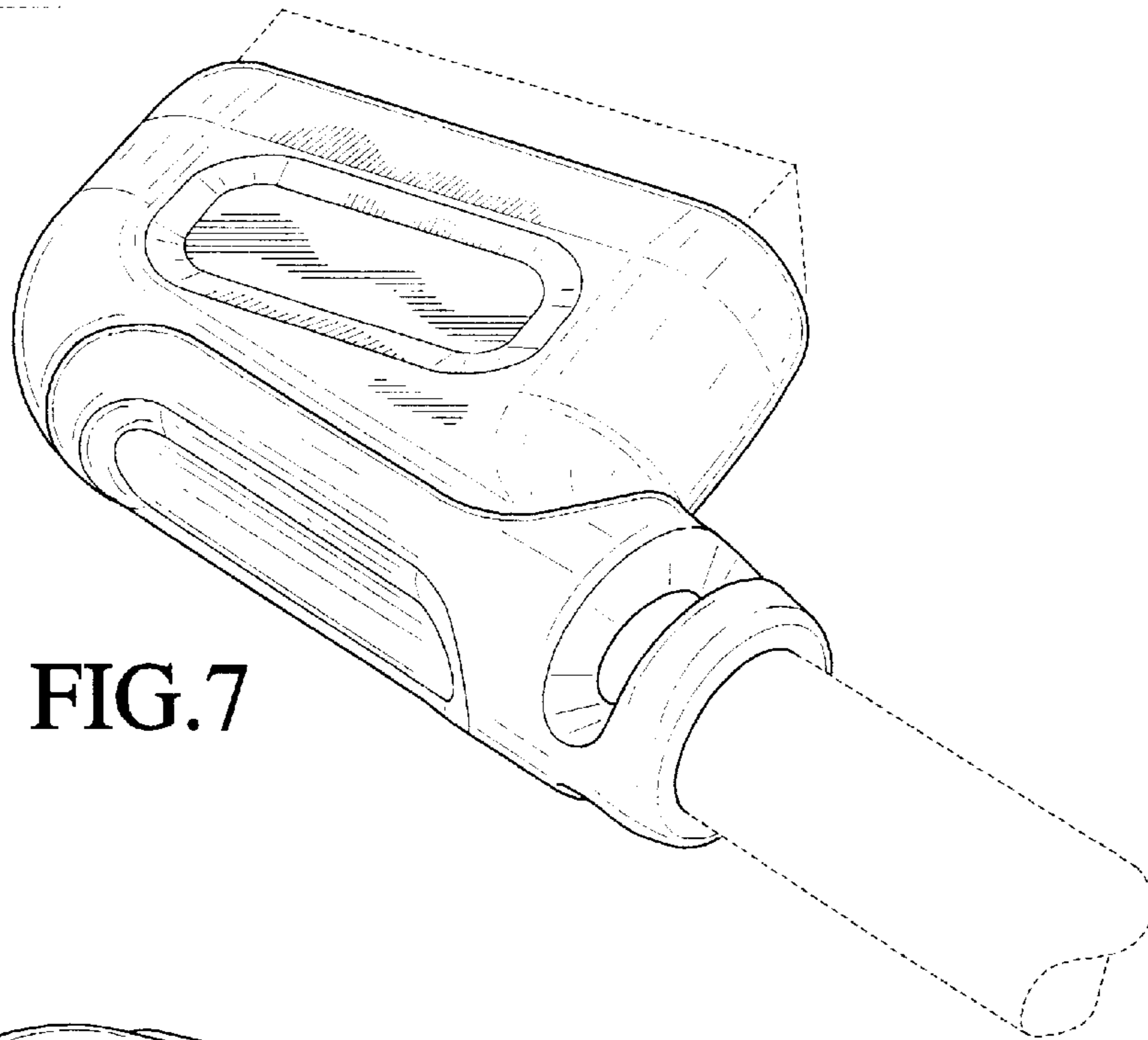


FIG. 7

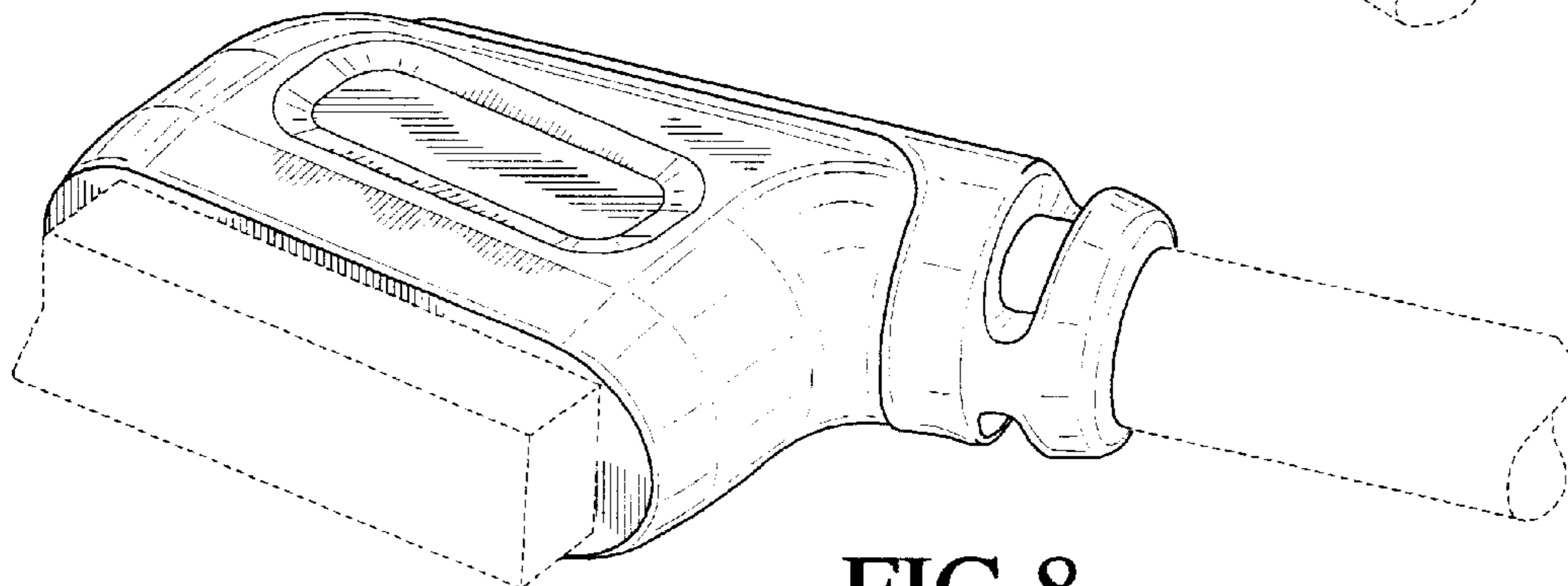


FIG. 8