



US00D514523S

(12) **United States Design Patent** (10) **Patent No.:** **US D514,523 S**  
**Lee et al.** (45) **Date of Patent:** **\*\* Feb. 7, 2006**

(54) **CONNECTOR**

(75) Inventors: **Noel Lee**, Las Vegas, NV (US);  
**Kendrew Lee**, Fremont, CA (US)

(73) Assignee: **Monster Cable Products, Inc.**,  
Brisbane, CA (US)

(\*\*) Term: **14 Years**

(21) Appl. No.: **29/212,587**

(22) Filed: **Sep. 3, 2004**

(51) **LOC (8) Cl.** ..... **13-03**

(52) **U.S. Cl.** ..... **D13/156**

(58) **Field of Classification Search** ..... D13/133,  
D13/146, 147, 154, 156; 439/502, 459, 304,  
439/610

See application file for complete search history.

(56) **References Cited**

**U.S. PATENT DOCUMENTS**

D340,241 S	*	10/1993	Nakamura	.....	D13/146
D416,542 S	*	11/1999	Tsai	.....	D13/153
D442,553 S	*	5/2001	Urban et al.	.....	D13/153
D475,018 S	*	5/2003	Ashida	.....	D13/147
6,792,487 B2	*	9/2004	Kao	.....	710/74

\* cited by examiner

*Primary Examiner*—Holly Baynham  
*Assistant Examiner*—Cynthia M. Chin

(74) *Attorney, Agent, or Firm*—LaRiviere, Grubman & Payne, LLP

(57) **CLAIM**

The ornamental design for a connector, as shown and described.

**DESCRIPTION**

A portion of the disclosure of this design patent document contains material to which a claim of copyright protection is made. The copyright owner has no objection to the facsimile reproduction of the patent document or the patent disclosure as it appears in the United States Patent and Trademark Office file or records, but reserves all other copyrights.

FIG. 1 is a perspective view of a connector, in accordance with the present invention.

FIG. 2 is a top view of a connector, in accordance with the present invention.

FIG. 3 is a side view of a connector, in accordance with the present invention.

FIG. 4 is a rear view, i.e., distal end view, of a connector, in accordance with the present invention.

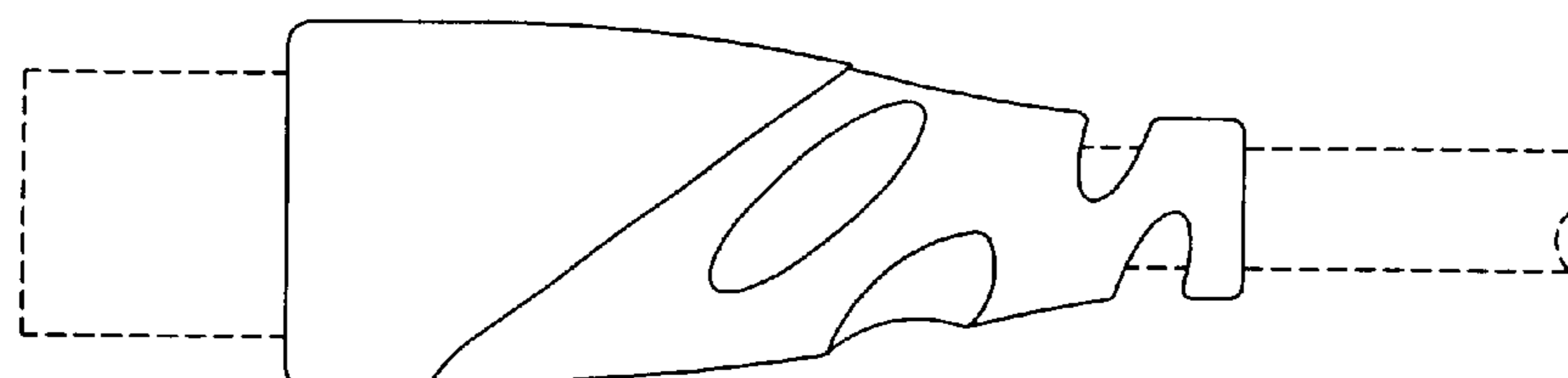
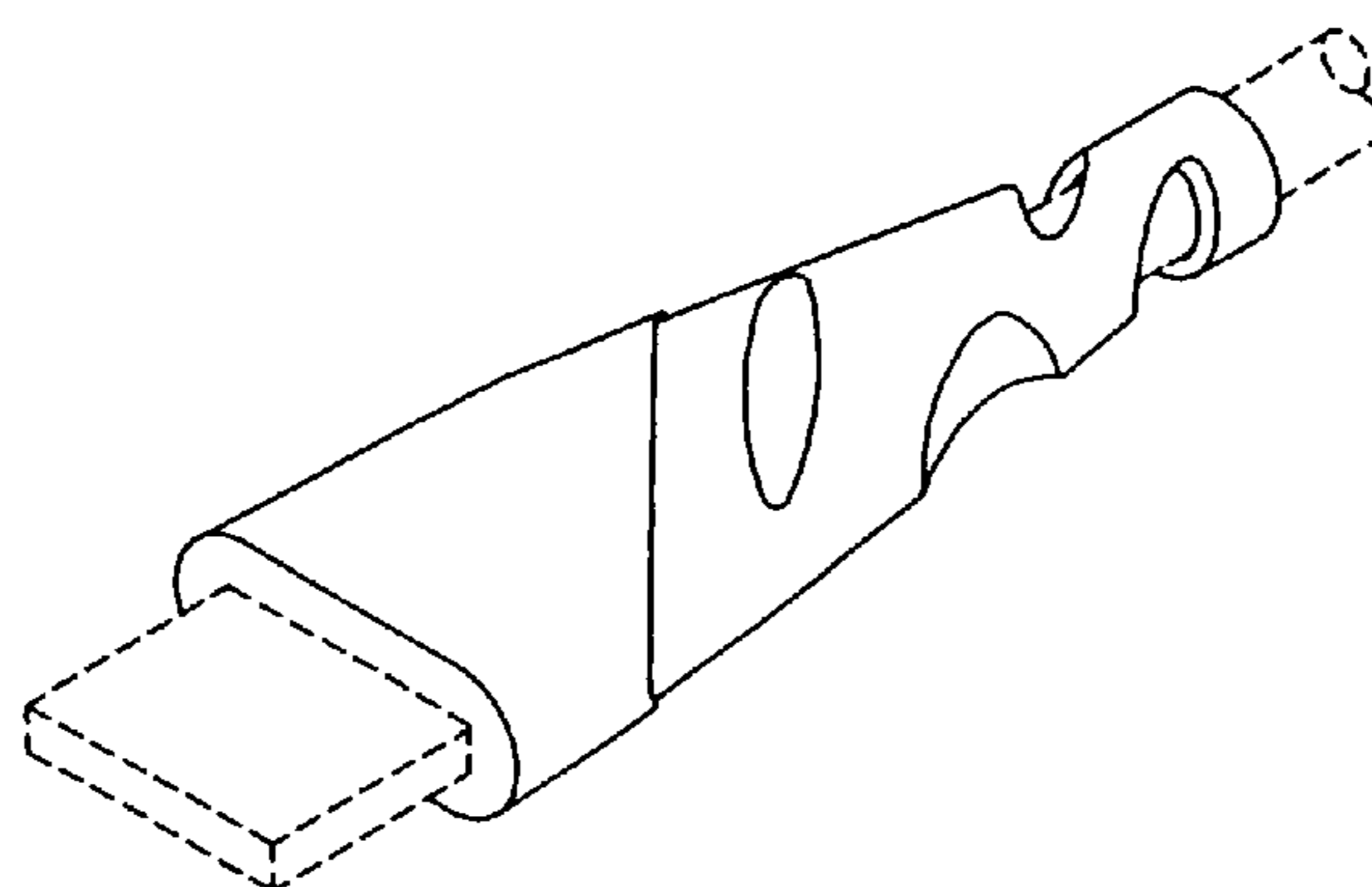
FIG. 5 is a bottom view of a connector, in accordance with the present invention.

FIG. 6 is an opposing side view of a connector, in accordance with the present invention; and,

FIG. 7 is a front view, i.e., opposing distal end view, of a connector, in accordance with the present invention.

Broken lines shown in any of the foregoing figures represent the environment only and do not constitute any part of the invention.

**1 Claim, 3 Drawing Sheets**



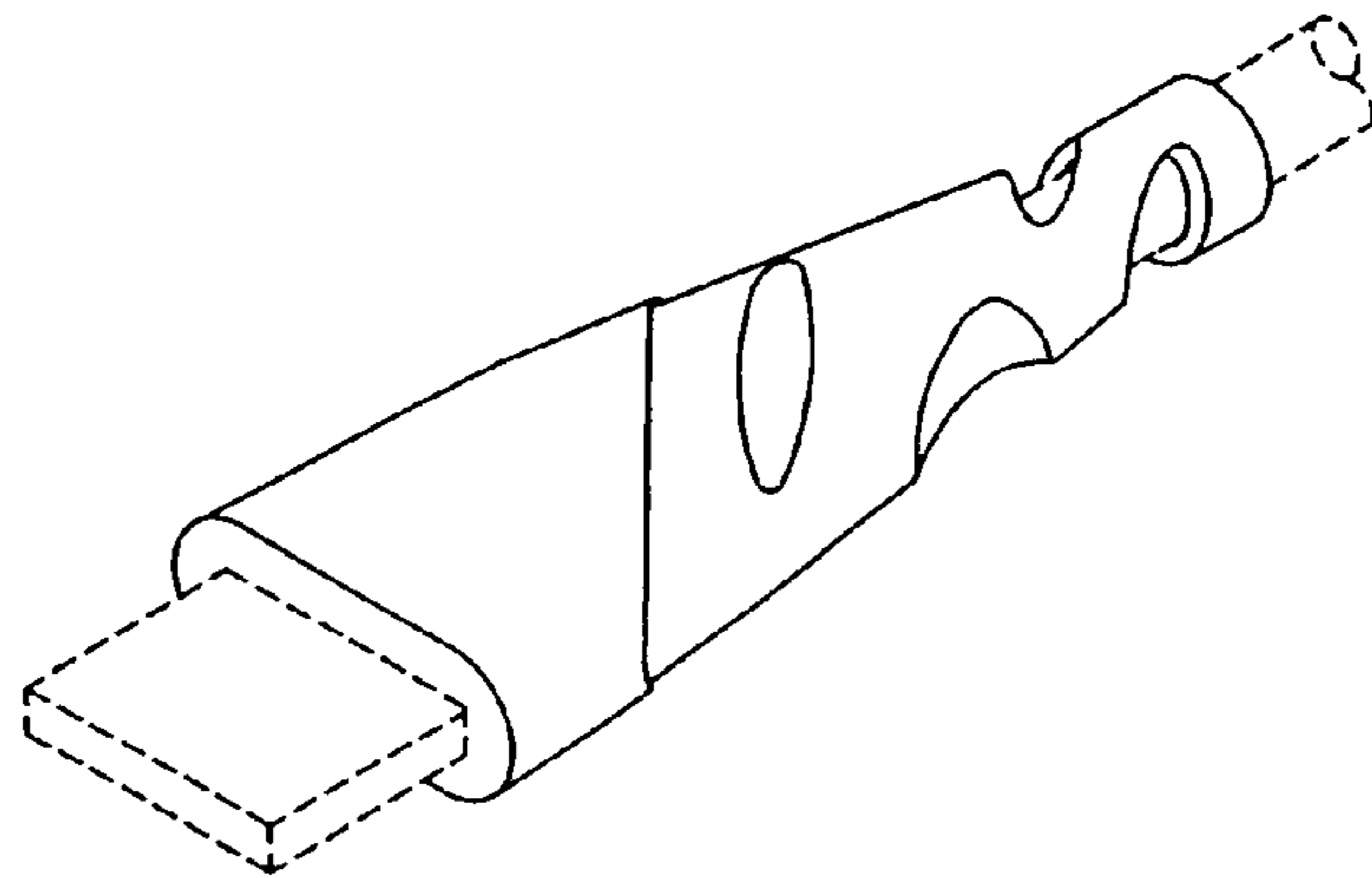


Figure 1

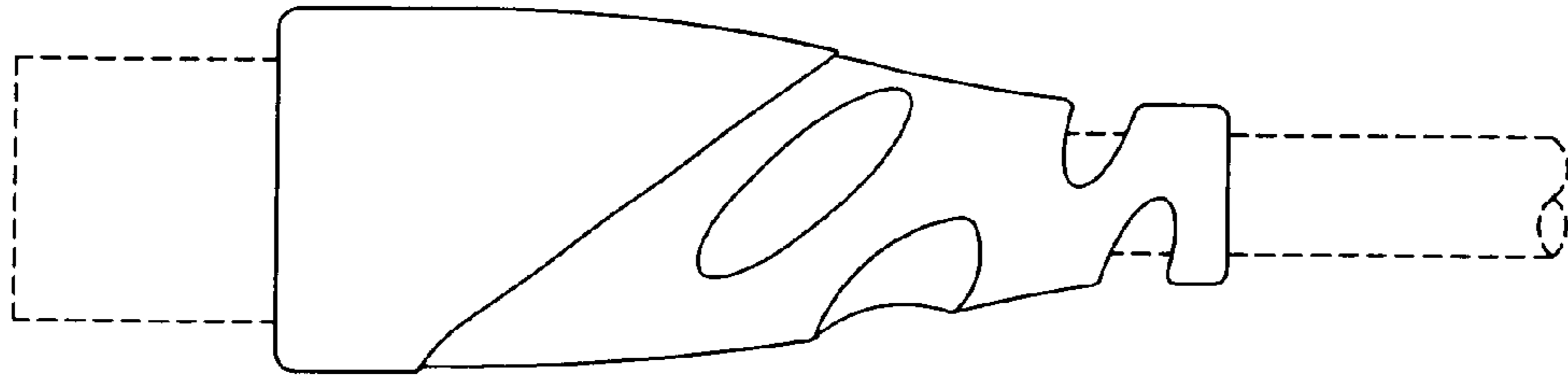


Figure 2

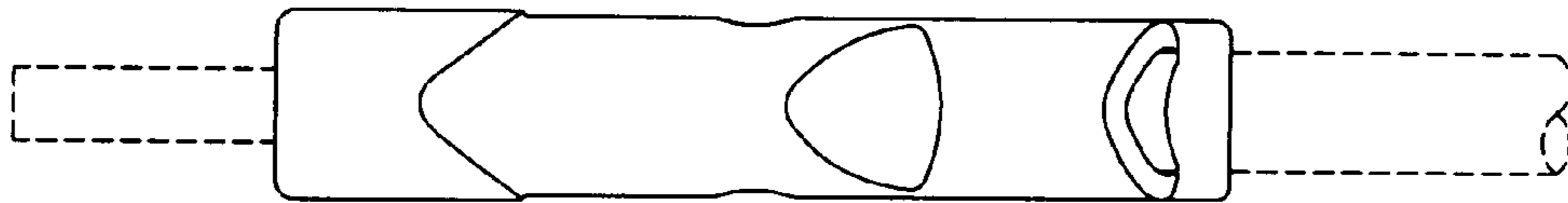


Figure 3

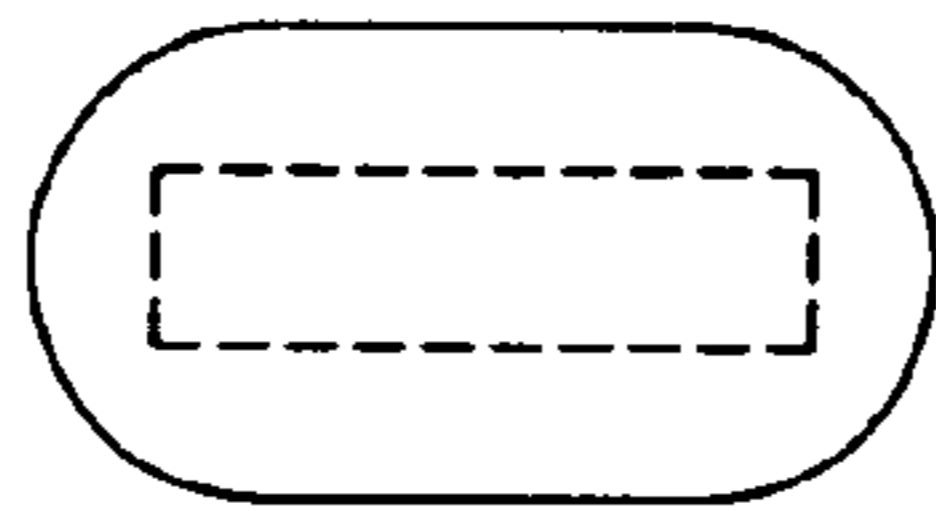


Figure 4

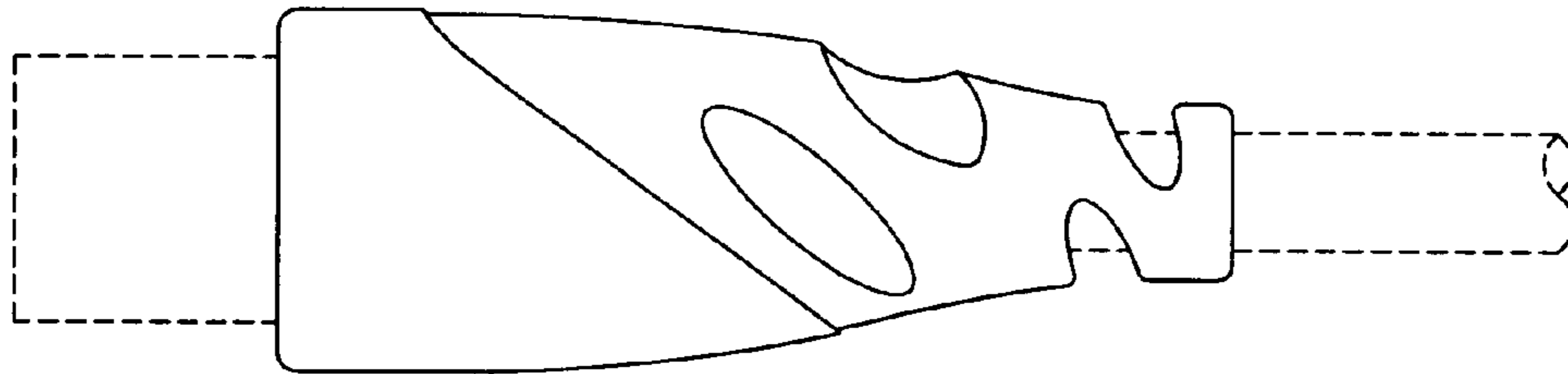


Figure 5

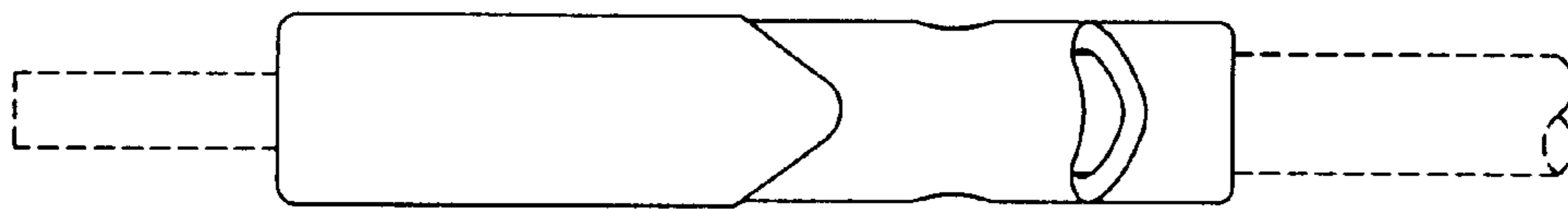


Figure 6

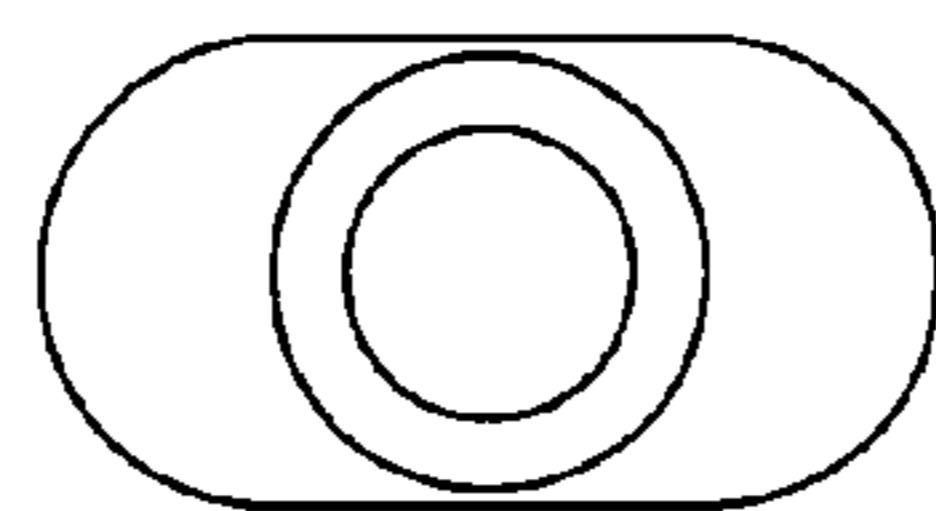


Figure 7