



US00D514520S

(12) **United States Design Patent**
Bahramian

(10) **Patent No.:** **US D514,520 S**

(45) **Date of Patent:** **** Feb. 7, 2006**

(54) **FIBER OPTIC SPLITTER**

(76) **Inventor:** **Bahram Bahramian**, 202 Halpine Walk
Ct., Rockville, MD (US) 20851

(**) **Term:** **14 Years**

(21) **Appl. No.:** **29/198,736**

(22) **Filed:** **Feb. 5, 2004**

Related U.S. Application Data

(63) Continuation of application No. 10/633,548, filed on Aug. 5,
2003.

(51) **LOC (8) Cl.** **13-03**

(52) **U.S. Cl.** **D13/147**

(58) **Field of Classification Search** D13/123,
D13/133, 146-147, 154, 184, 199; D14/256,
D14/433; 439/375, 606, 660, 677, 680, 682,
439/890-894; 385/43, 49, 59, 76
See application file for complete search history.

(56) **References Cited**

U.S. PATENT DOCUMENTS

- 3,779,628 A * 12/1973 Kapron et al. 385/43
- 3,854,787 A * 12/1974 Snyder, Jr. 439/469
- 4,431,261 A * 2/1984 Kozikowski 385/49
- 4,648,690 A 3/1987 Ohe
- 4,744,629 A * 5/1988 Bertoglio et al. 385/59
- 4,794,492 A 12/1988 Vinther
- 4,820,010 A * 4/1989 Scifres et al. 385/43
- 5,036,248 A 7/1991 McEwan et al.
- 5,066,097 A * 11/1991 Brandle et al. 385/76
- 5,138,782 A 8/1992 Mizobe
- 5,143,285 A 9/1992 Wise
- D335,648 S * 5/1993 Ballsieper D13/147
- 5,408,773 A 4/1995 Hwang
- 5,668,907 A 9/1997 Veligdan
- 5,832,642 A 11/1998 Dalton
- D404,709 S * 1/1999 Oba D13/147

- 6,023,869 A 2/2000 Durbin
- 6,026,602 A 2/2000 Grondal et al.
- 6,027,235 A 2/2000 Chen
- 6,092,318 A 7/2000 Arie et al.
- 6,106,127 A 8/2000 Fuwasa
- 6,232,592 B1 5/2001 Sugiyama
- 6,270,236 B1 8/2001 Brussog
- D449,583 S * 10/2001 Goto D13/154
- 6,341,440 B1 1/2002 Lee
- 6,367,180 B2 4/2002 Weiss et al.
- D457,139 S * 5/2002 Chen D13/147
- 6,443,585 B1 9/2002 Saccomanno
- 6,454,424 B1 9/2002 Tobin et al.
- 6,471,379 B2 10/2002 Bucher et al.
- 6,530,164 B2 3/2003 Gai
- 6,539,656 B2 4/2003 Maas et al.
- 6,623,173 B1 * 9/2003 Grois et al. 385/76
- 2002/0114166 A1 8/2002 Muller et al.
- 2002/0136023 A1 9/2002 Oneil et al.
- 2003/0031032 A1 2/2003 Wu et al.

* cited by examiner

Primary Examiner—Stella Reid
Assistant Examiner—Daniel Bui
(74) *Attorney, Agent, or Firm*—Alun L. Palmer

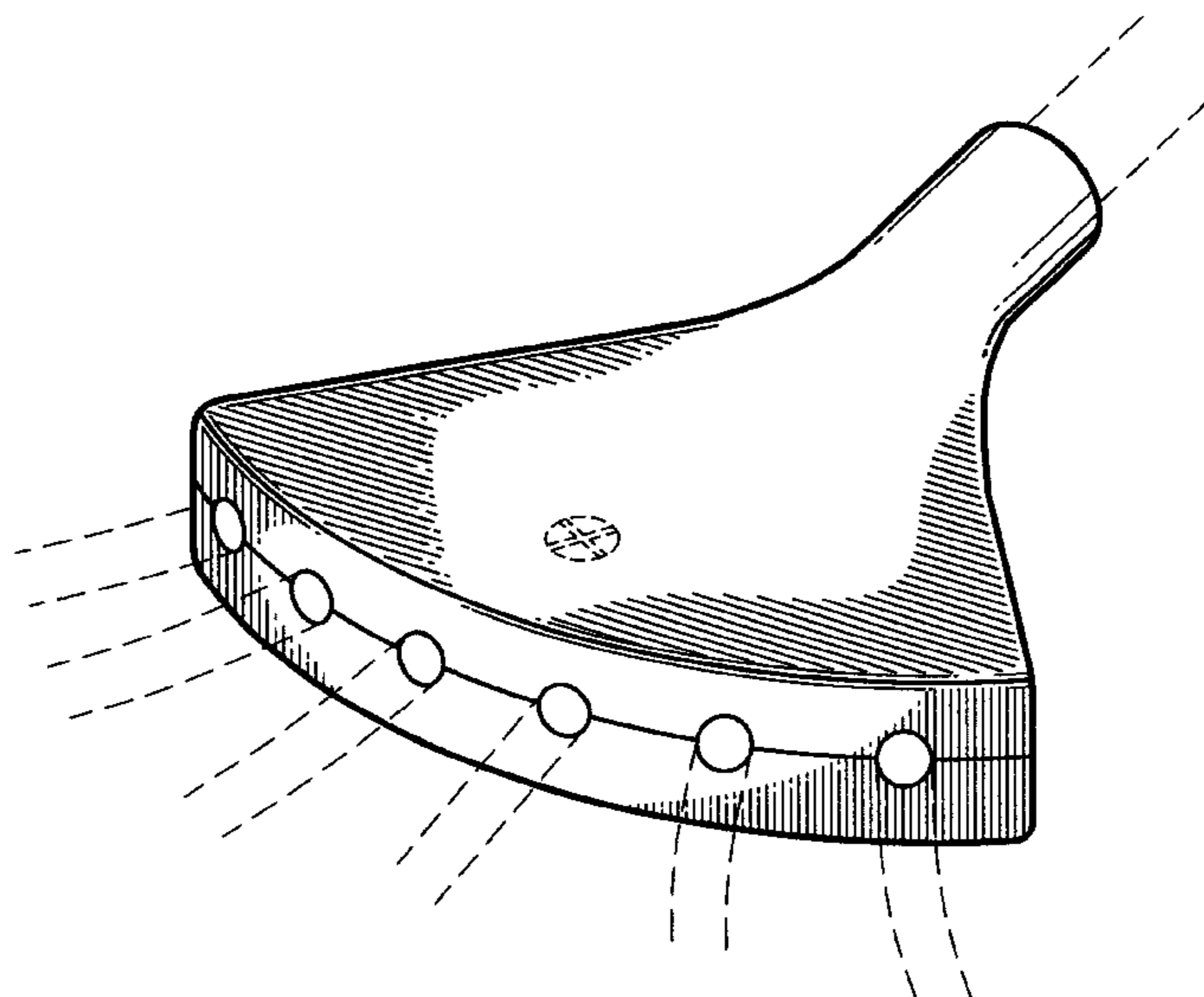
(57) **CLAIM**

The ornamental design for a fiber optic splitter, as shown and described.

DESCRIPTION

FIG. 1 is a top plan view of the mating lower half of a fiber optic splitter, showing my new design; FIG. 2 is top perspective view of the fiber optic splitter with both halves assembled together; FIG. 3 is the top plan view thereof; and, FIG. 4 is an end view of the mating lower half of the fiber optic splitter shown in FIG. 1. The broken line showing of the environment is for illustrative purposes only and forms no part of the claimed design.

1 Claim, 2 Drawing Sheets



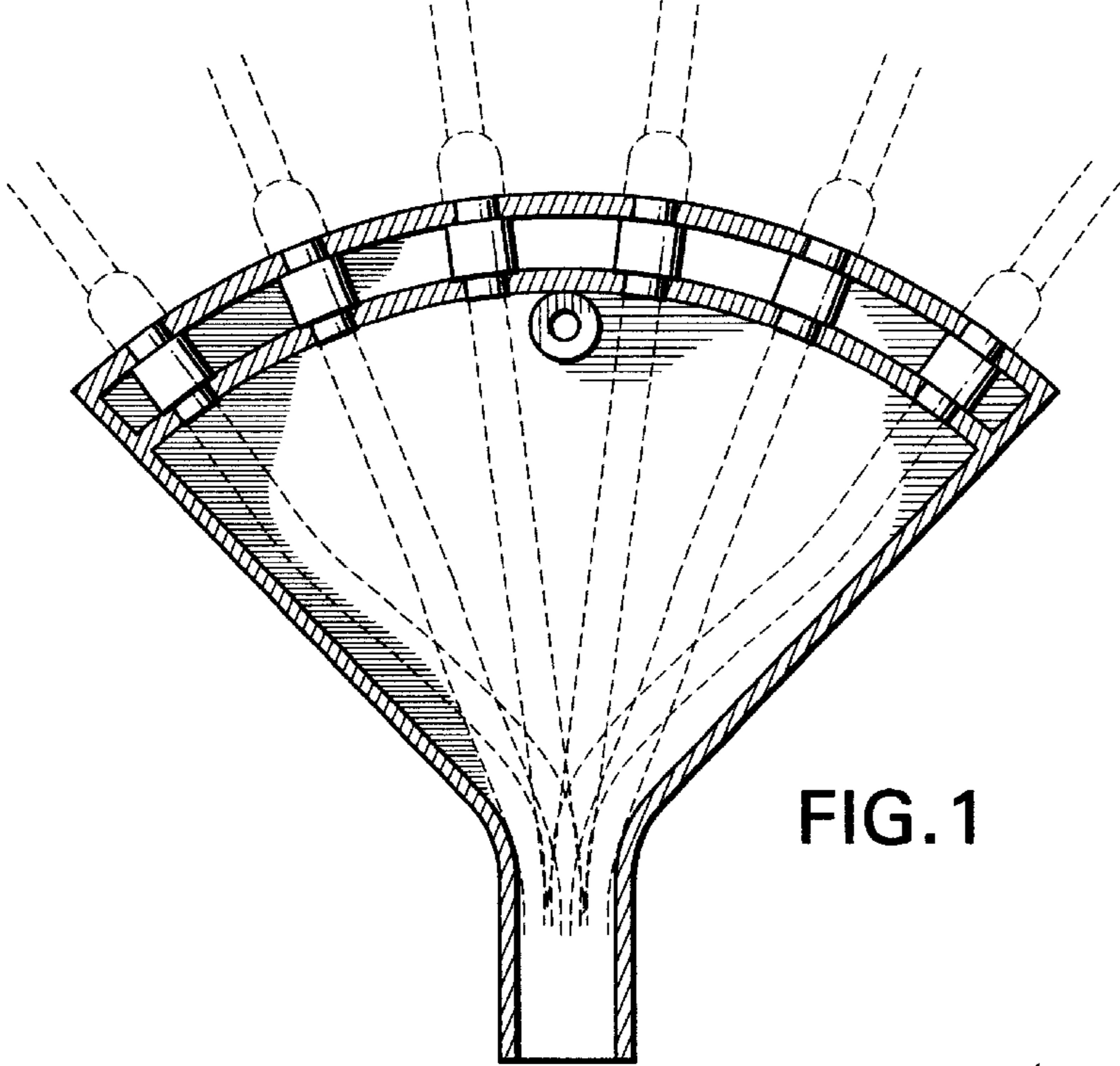


FIG. 1

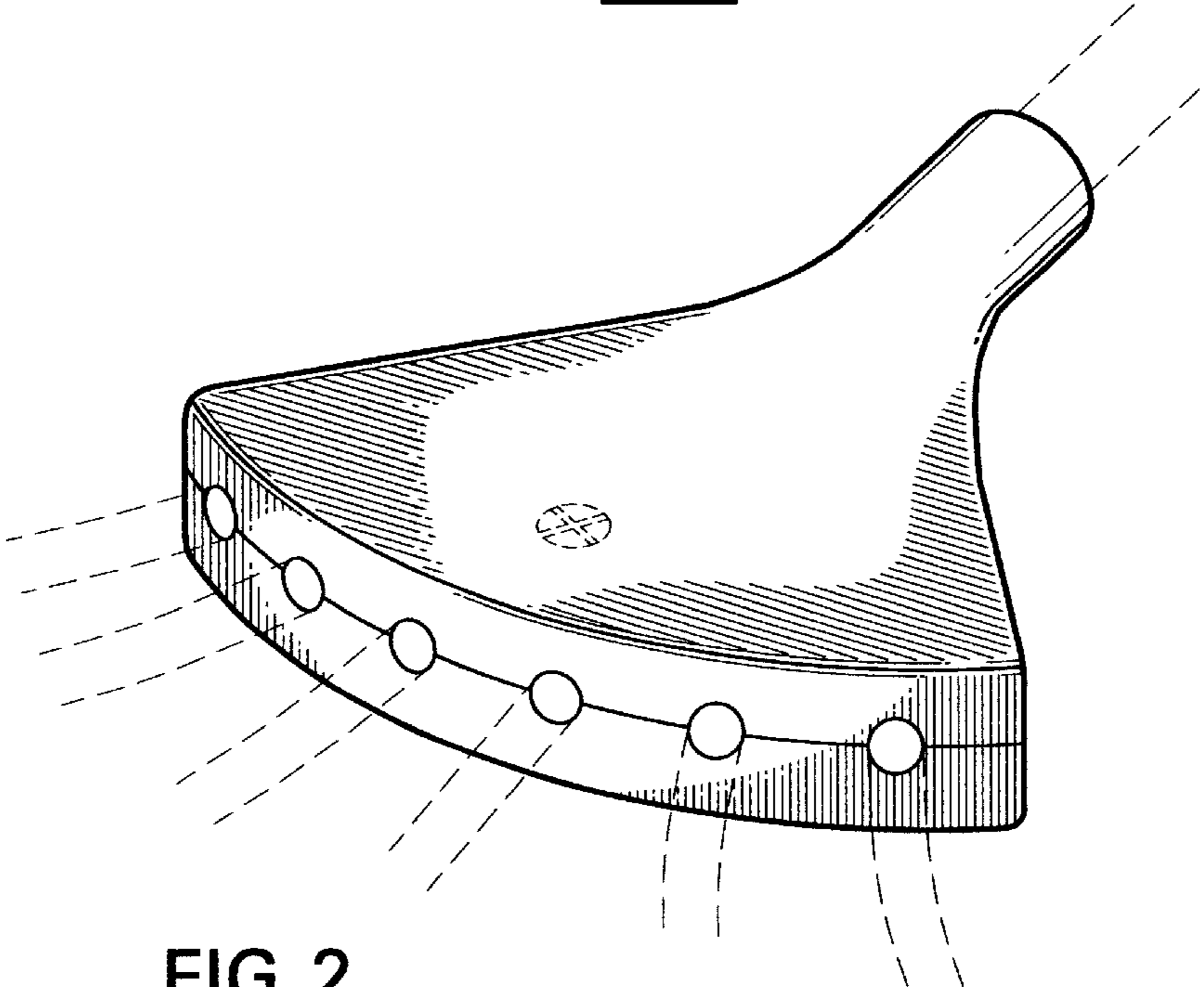


FIG. 2

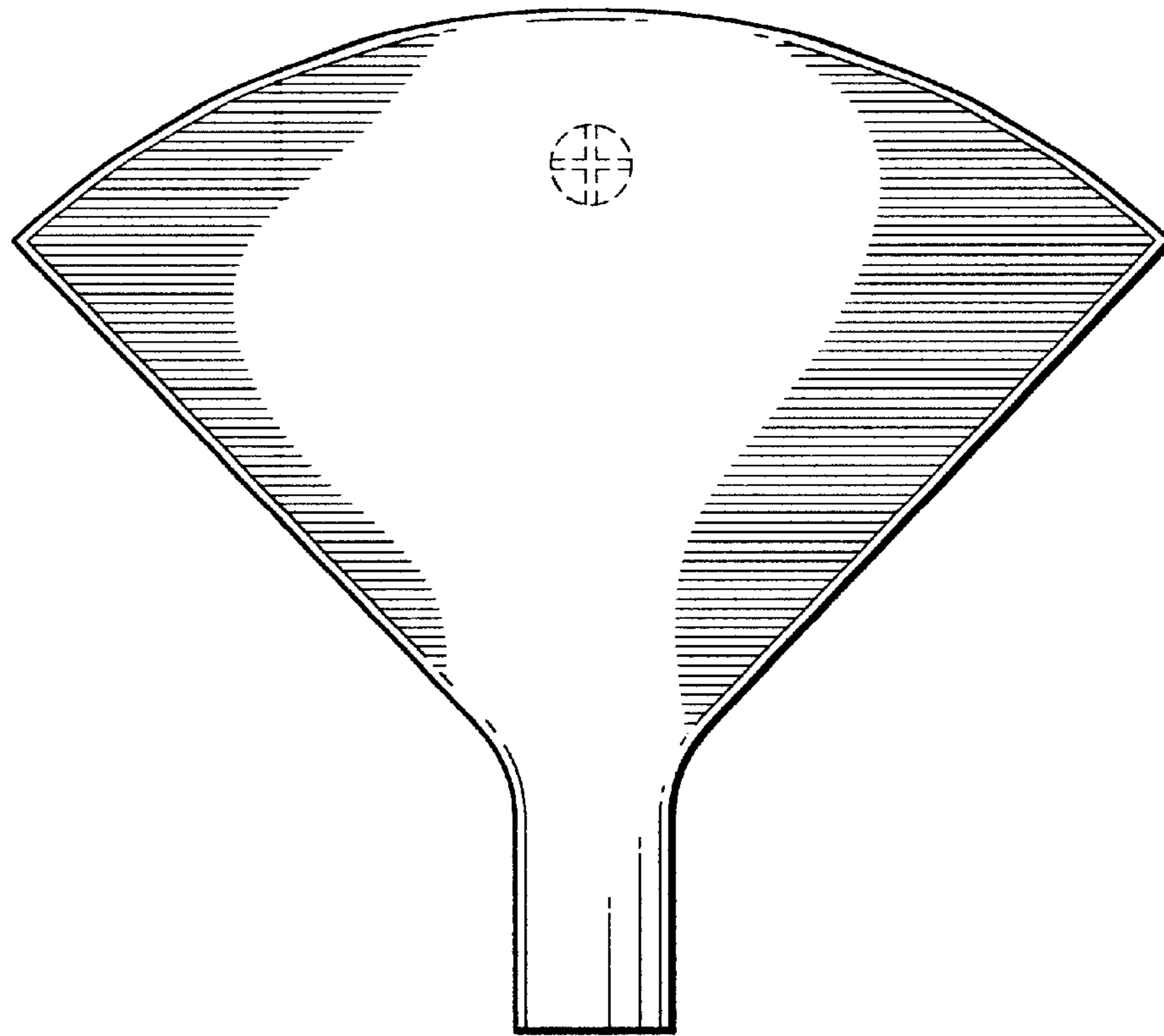


FIG. 3



FIG. 4