



US00D514518S

(12) **United States Design Patent**  
**Strayer**

(10) **Patent No.:** **US D514,518 S**

(45) **Date of Patent:** **\*\* Feb. 7, 2006**

(54) **POWER AND COMMUNICATION HUB**

D418,814 S 1/2000 Byrne

D418,815 S 1/2000 Byrne

(75) **Inventor:** **Mark Strayer, Lamar, MO (US)**

D466,086 S 11/2002 Metcalf

D467,874 S 12/2002 Rupert

(73) **Assignee:** **O'Sullivan Industries, Inc., Lamar, MO (US)**

2002/0185295 A1 12/2002 Metcalf

2003/0186582 A1 10/2003 Laukhuf et al.

(\*\*) **Term:** **14 Years**

*Primary Examiner*—Prabhakar Deshmukh

*Assistant Examiner*—Selina Sikder

(21) **Appl. No.:** **29/201,104**

(74) *Attorney, Agent, or Firm*—Haynes and Boone, LLP

(22) **Filed:** **Mar. 10, 2004**

(57) **CLAIM**

The ornamental design for a power and communication hub, as shown and described.

**Related U.S. Application Data**

**DESCRIPTION**

(62) Division of application No. 29/191,589, filed on Oct. 10, 2003, now Pat. No. Des. 493,426.

(51) **LOC (8) Cl.** ..... **13-03**

(52) **U.S. Cl.** ..... **D13/139.4**

(58) **Field of Classification Search** ..... D13/139.1, D13/139.4, 139.6; 439/131, 535; 174/53  
See application file for complete search history.

FIG. 1 is a perspective view of a power and communication hub showing my new design; FIG. 2 is a front view thereof; FIG. 3 is a right view thereof; FIG. 4 is a left view thereof; FIG. 5 is a rear view thereof; FIG. 6 is a top view thereof; and, FIG. 7 is a bottom view thereof.

The broken lines throughout the drawing figures are included for the purpose of illustrating portions of the hub that form no part of the claimed design.

(56) **References Cited**

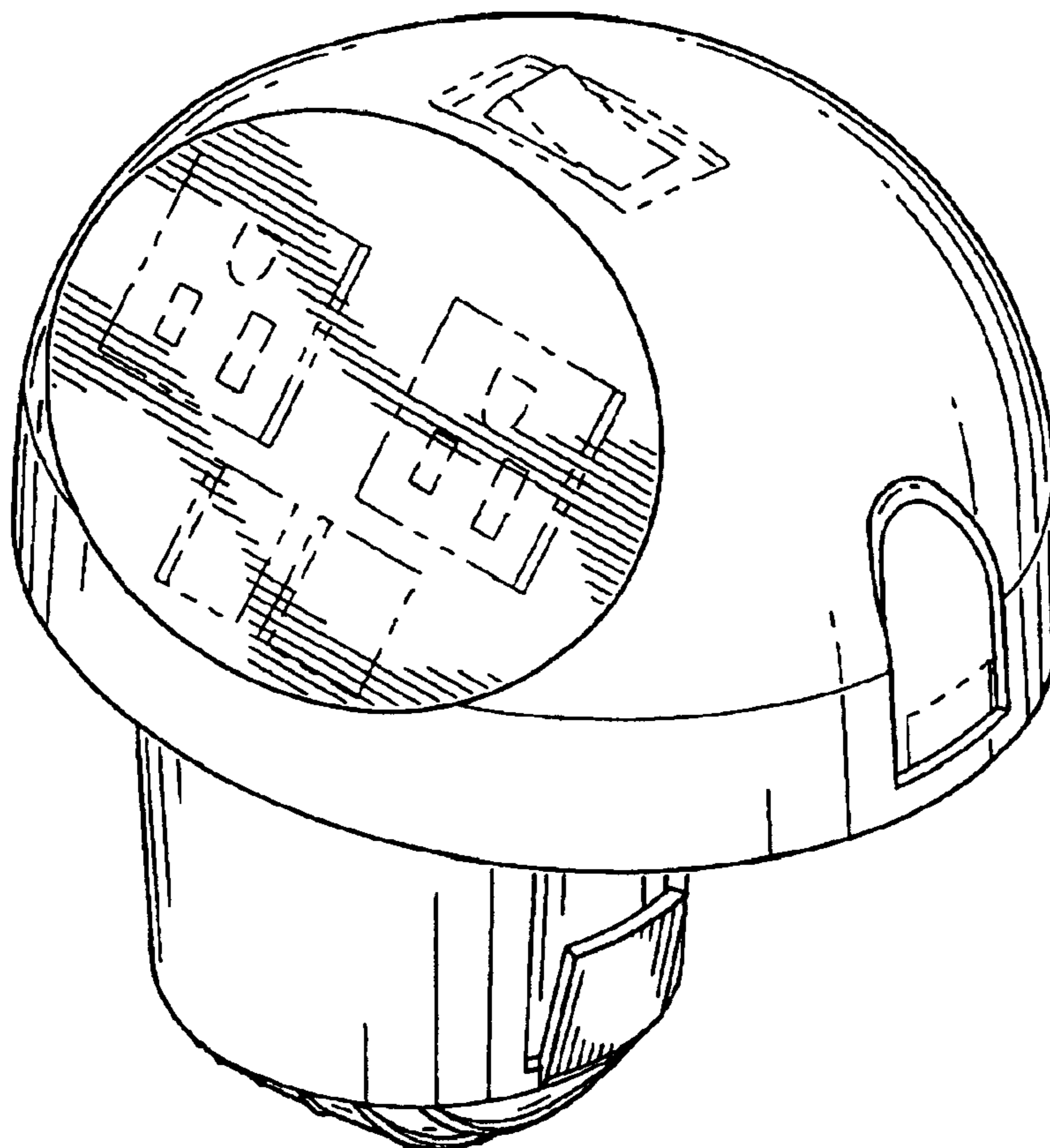
**U.S. PATENT DOCUMENTS**

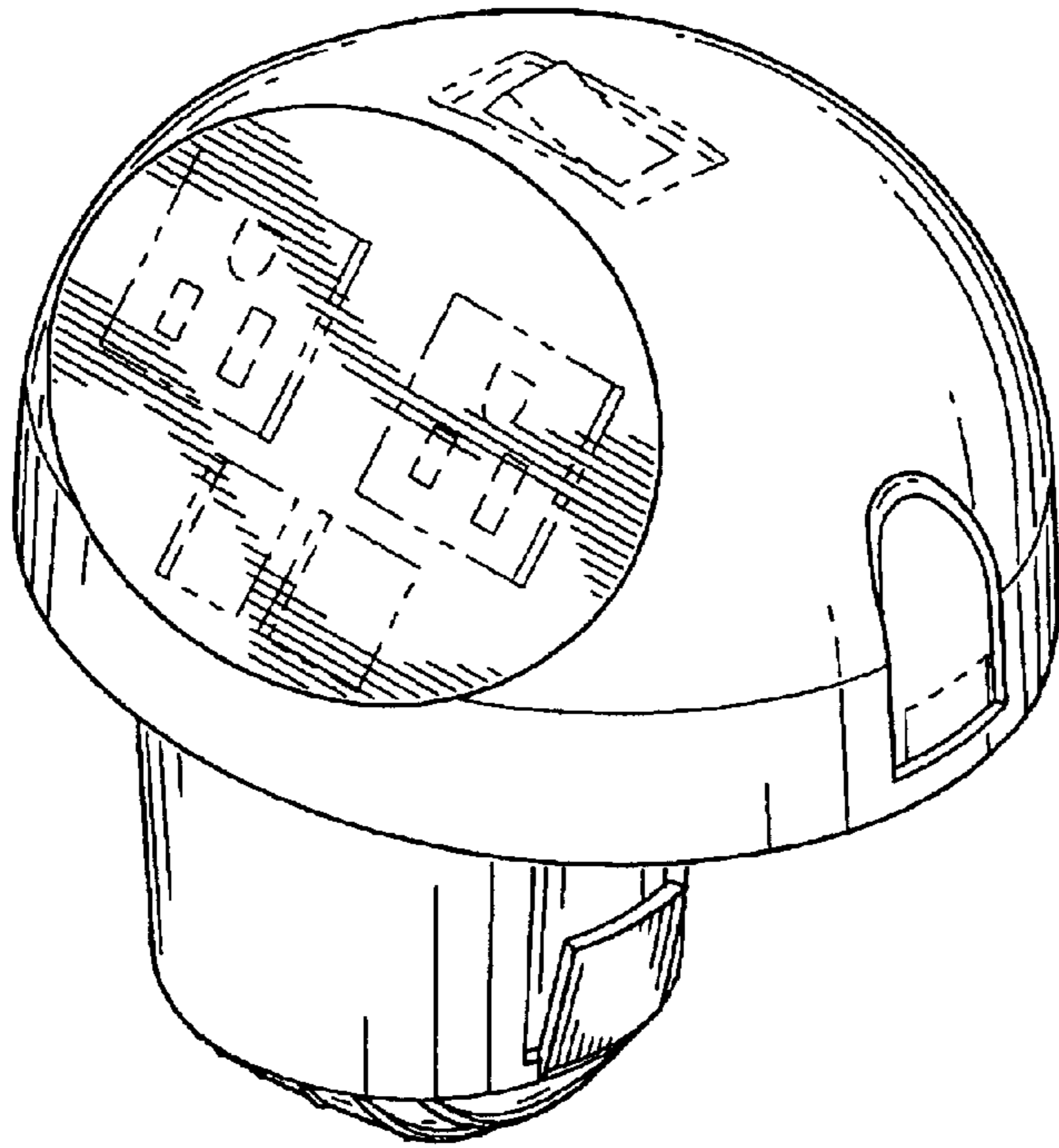
D325,723 S 4/1992 Gary et al.

D399,826 S 10/1998 Byrne

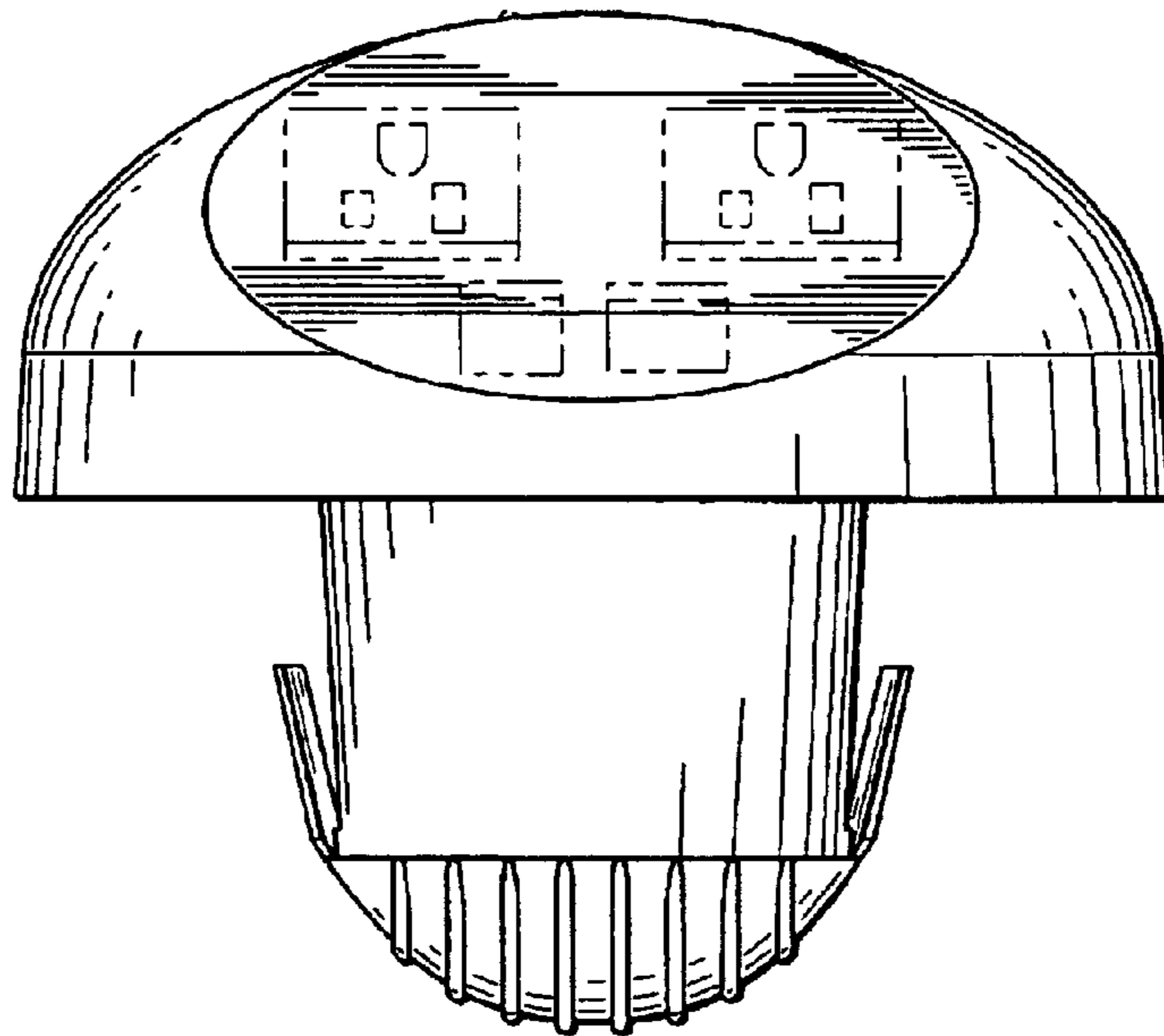
D409,980 S 5/1999 Byrne

**1 Claim, 3 Drawing Sheets**

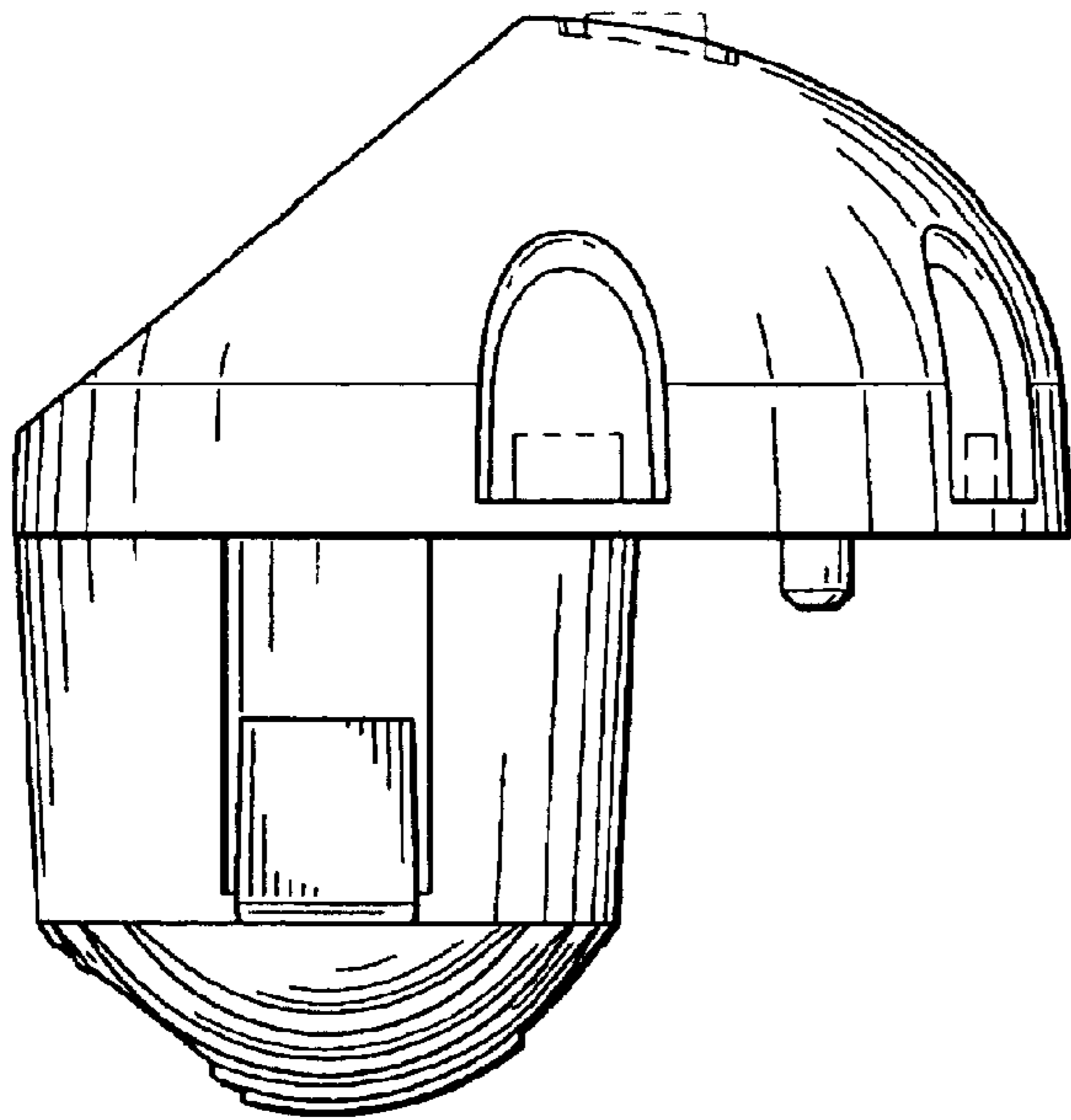




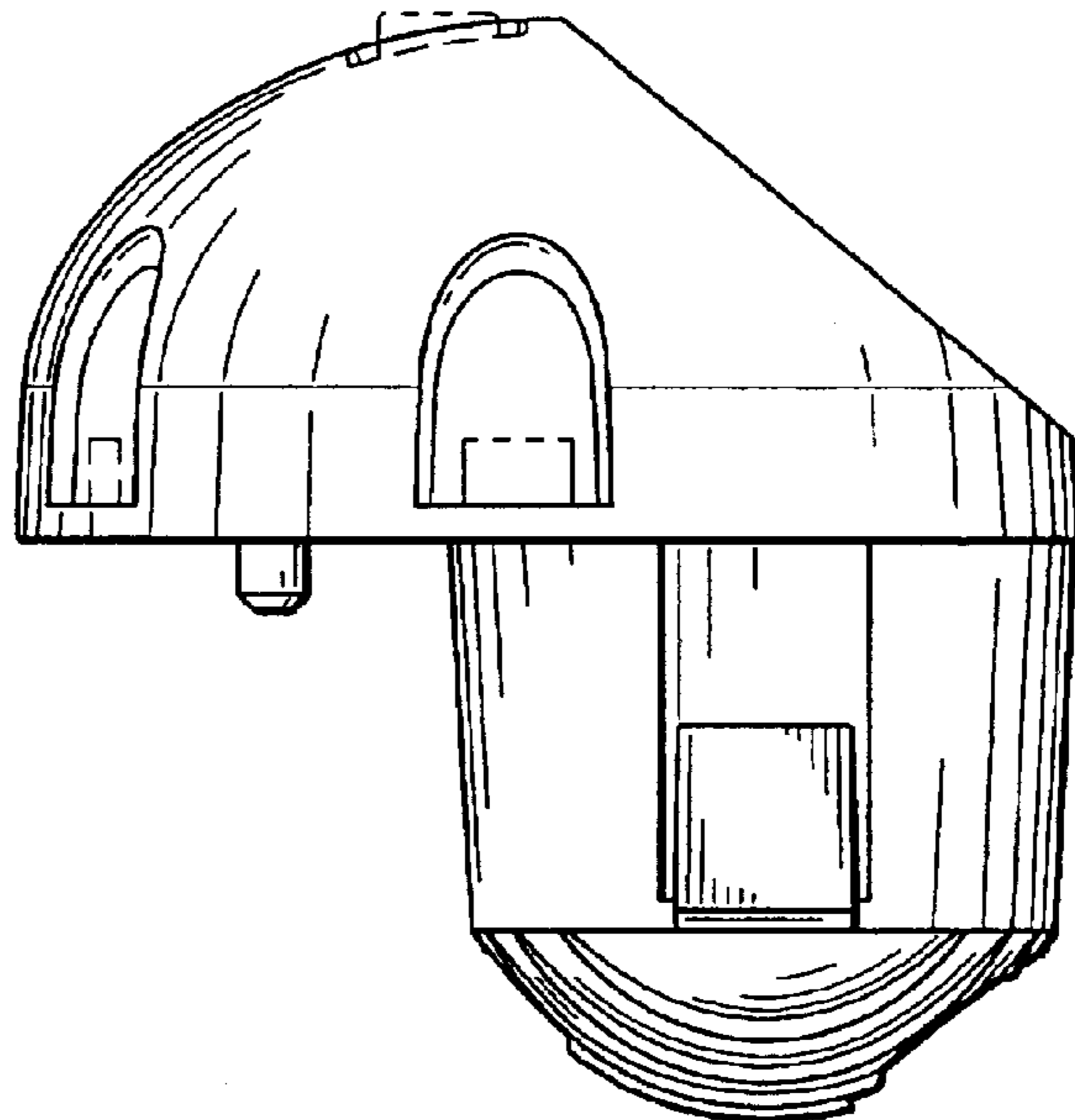
*Fig. 1*



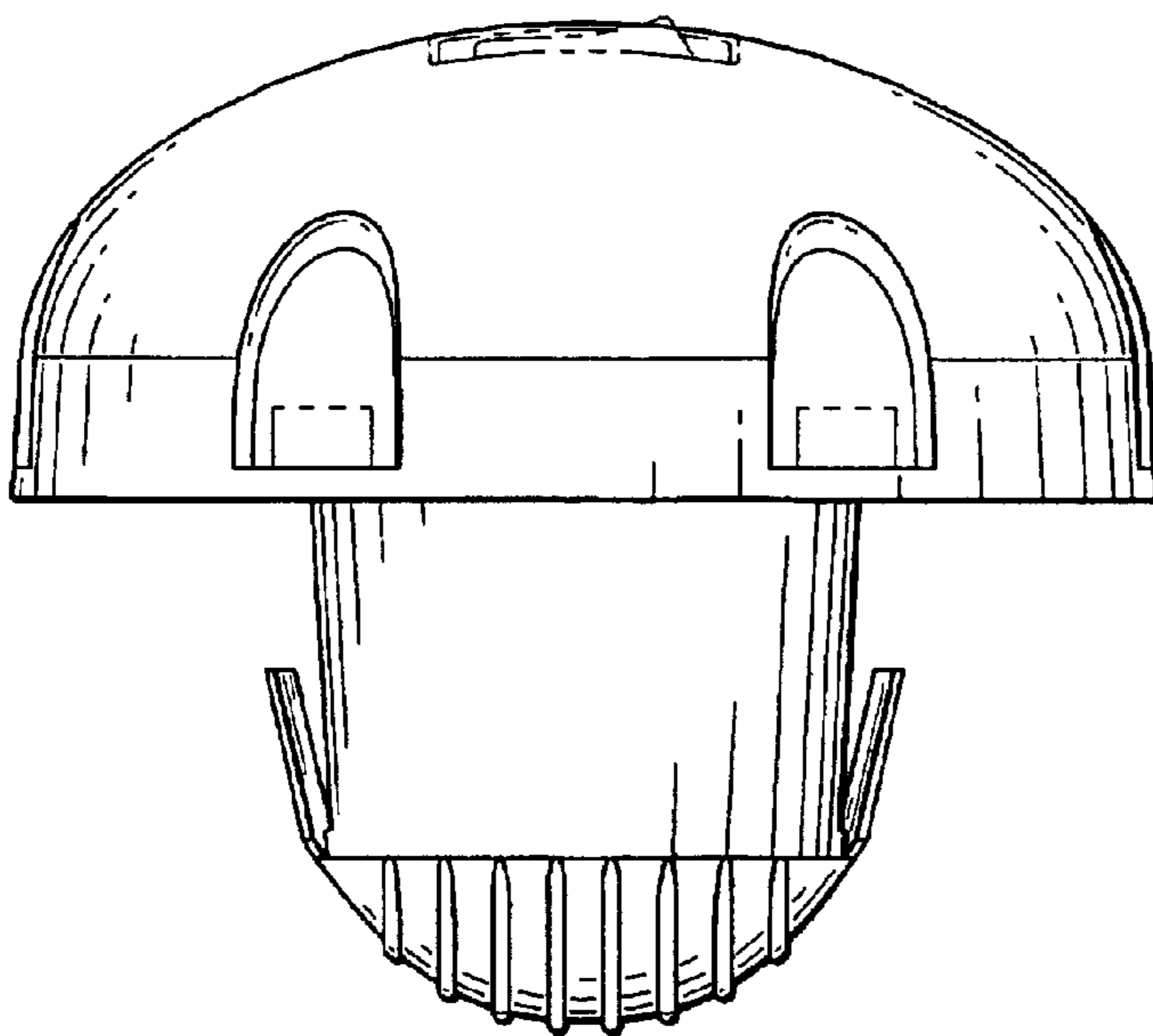
*Fig. 2*



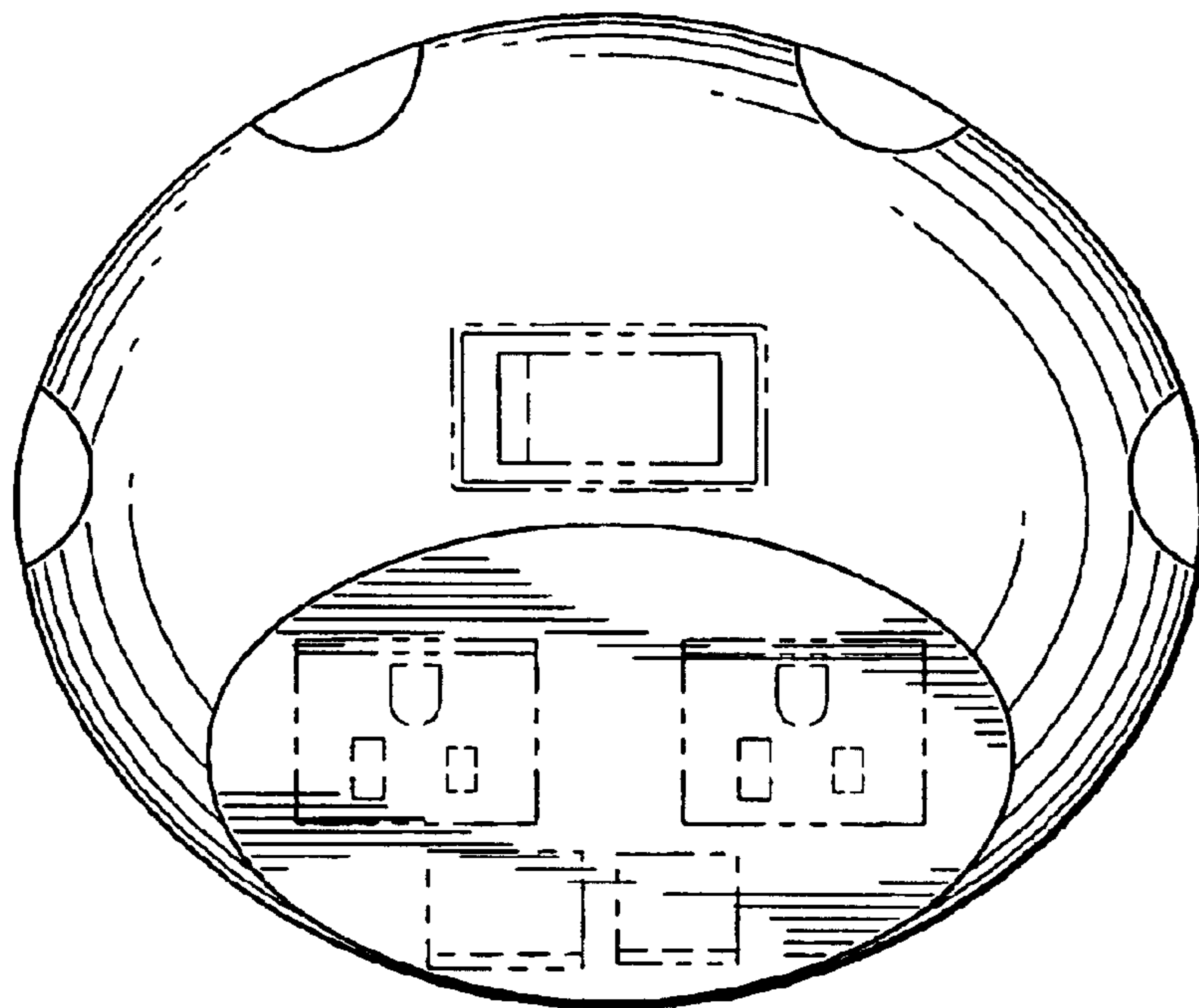
*Fig. 3*



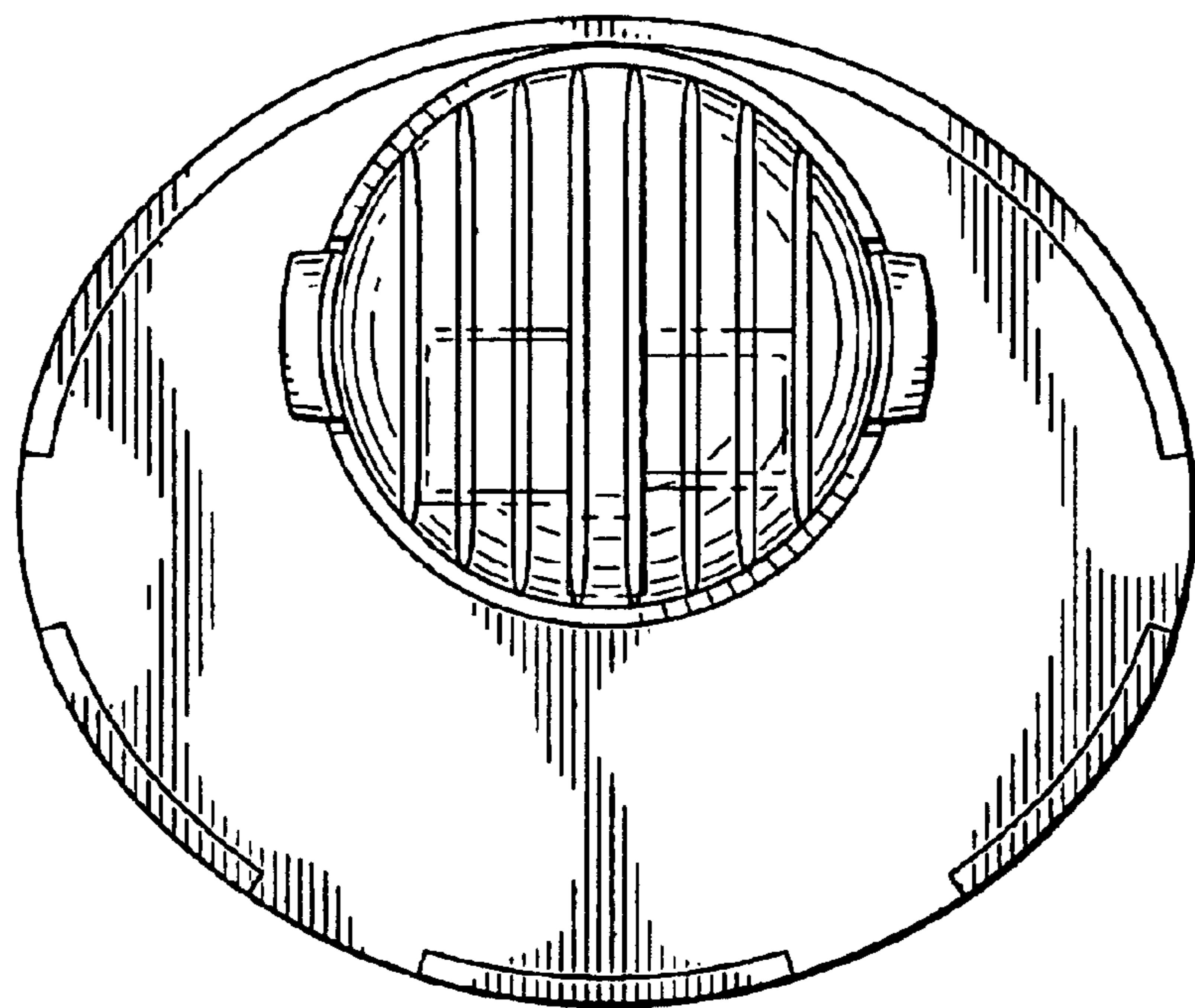
*Fig. 4*



*Fig. 5*



*Fig. 6*



*Fig. 7*