



US00D514516S

(12) **United States Design Patent**
Wiskerke

(10) **Patent No.: US D514,516 S**
(45) **Date of Patent: ** *Feb. 7, 2006**

(54) **END CAP FOR FLUORESCENT LAMP**

(75) Inventor: **Pieter J. Wiskerke**, Middelburg (NL)

(73) Assignee: **Koninklijke Philips Electronics, N.V.**,
Eindhoven (NL)

(*) Notice: This patent is subject to a terminal disclaimer.

(**) Term: **14 Years**

(21) Appl. No.: **29/193,368**

(22) Filed: **Nov. 7, 2003**

(30) **Foreign Application Priority Data**

May 14, 2003 (EM) 19872

(51) **LOC (8) Cl. 13-03**

(52) **U.S. Cl. D13/134**

(58) **Field of Classification Search** D13/123,
D13/133-136, 154-156, 184, 199; D26/1-4,
D26/75-76; 313/51, 318.01, 318.07, 318.09,
313/318.11, 313-320; 439/135, 226, 611-612
See application file for complete search history.

(56) **References Cited**

U.S. PATENT DOCUMENTS

3,562,511 A * 2/1971 Reeves 439/234

D275,948 S * 10/1984 Vakil D13/135
4,542,947 A * 9/1985 Flor et al. 439/232
4,695,768 A * 9/1987 Covington et al. 315/73
D304,716 S * 11/1989 Johnson et al. D13/134
D397,811 S * 9/1998 Vakil D26/3
D405,415 S * 2/1999 Henrici et al. D13/134
D448,096 S * 9/2001 Choi D26/3
D448,499 S * 9/2001 Choi D26/3
D487,252 S * 3/2004 Schweitzer D13/134

* cited by examiner

Primary Examiner—Stella Reid
Assistant Examiner—Daniel Bui

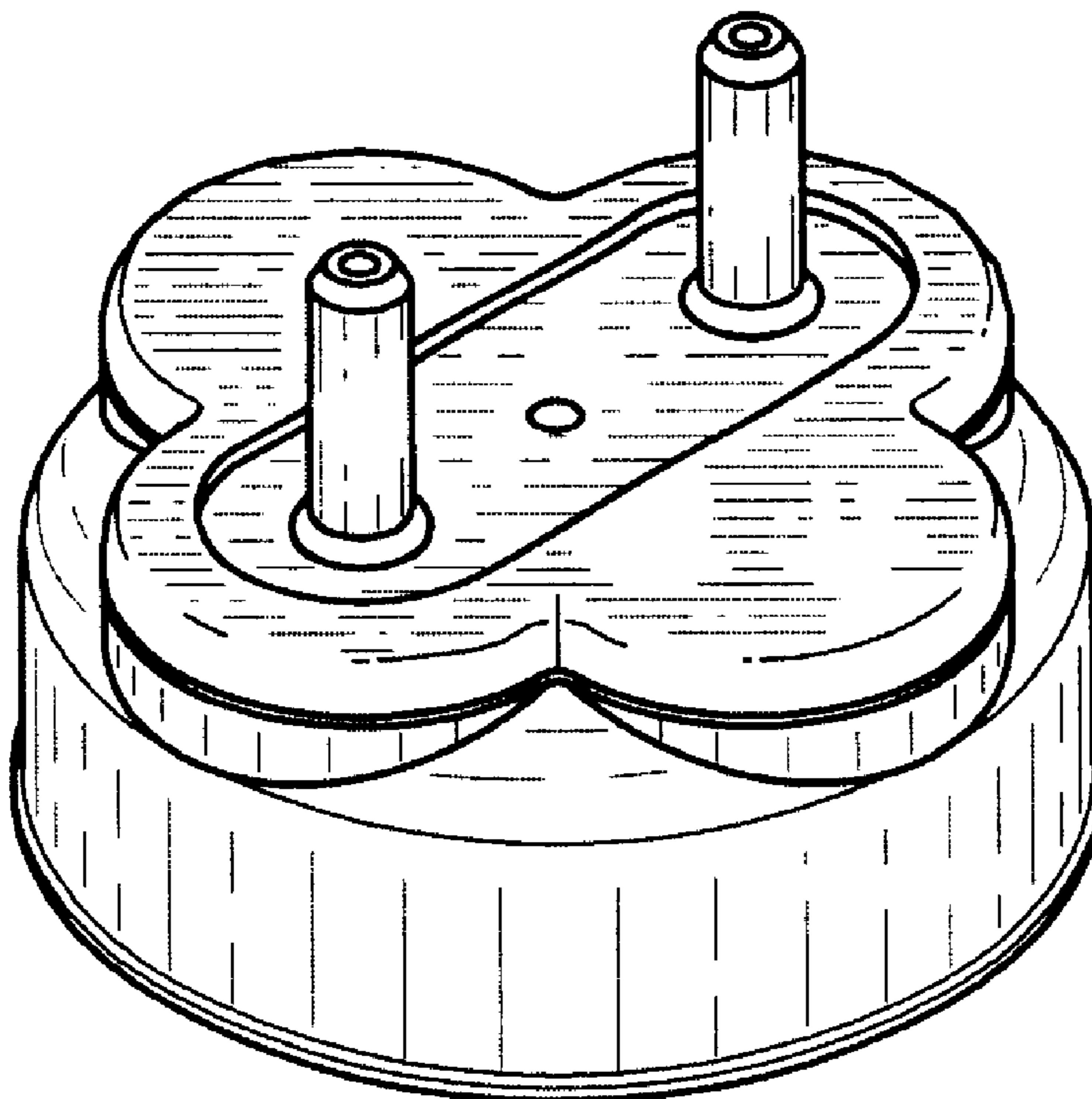
(57) **CLAIM**

The ornamental design for an end cap for fluorescent lamp, as shown.

DESCRIPTION

FIG. 1 is a perspective view of an end cap for fluorescent lamp showing my design;
FIG. 2 is a front elevation view thereof;
FIG. 3 is a rear elevation view thereof;
FIG. 4 is a right side elevation view thereof;
FIG. 5 is a left side elevation view thereof; and,
FIG. 6 is a top plan view thereof.

1 Claim, 2 Drawing Sheets



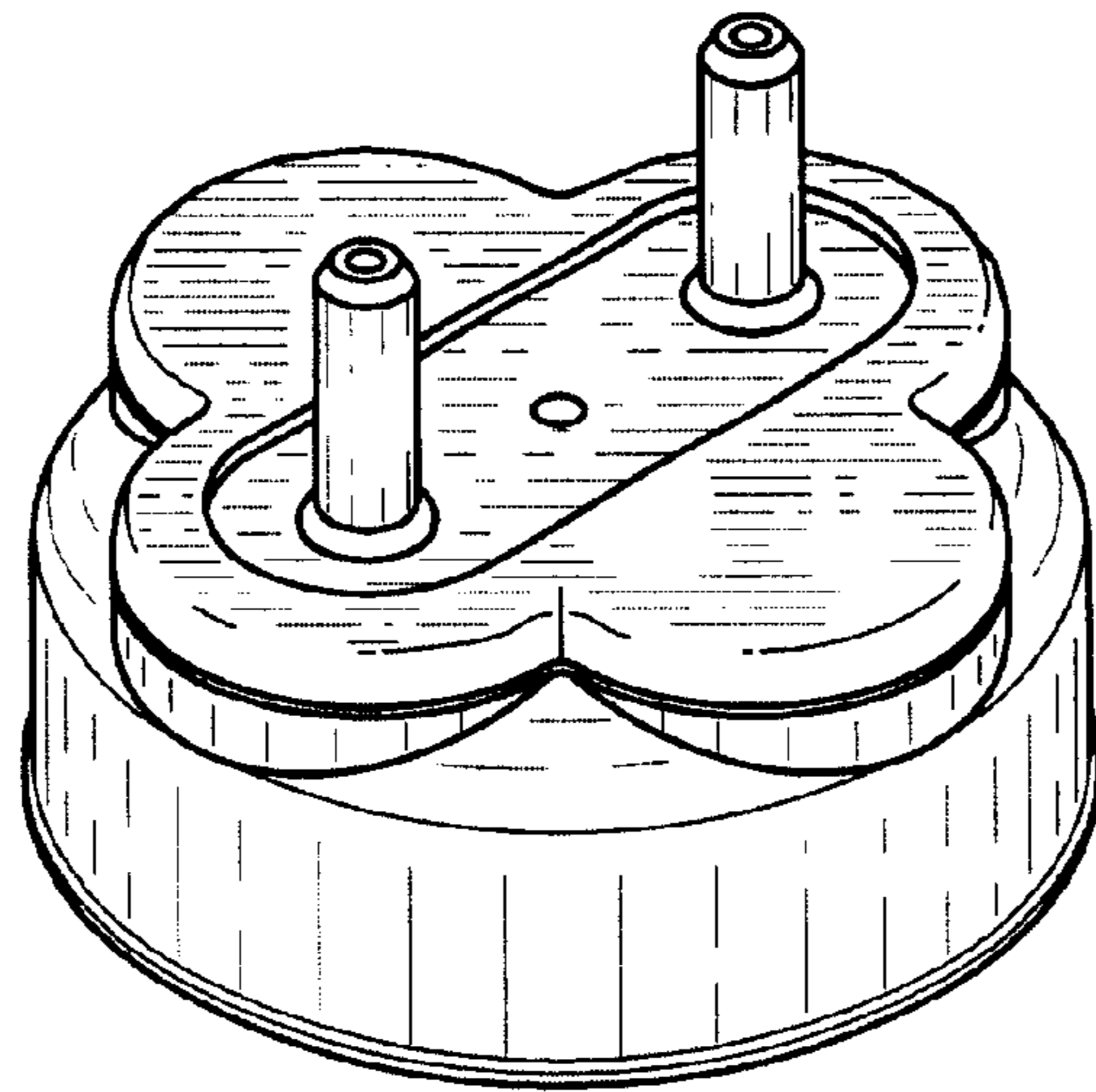


FIG. 1

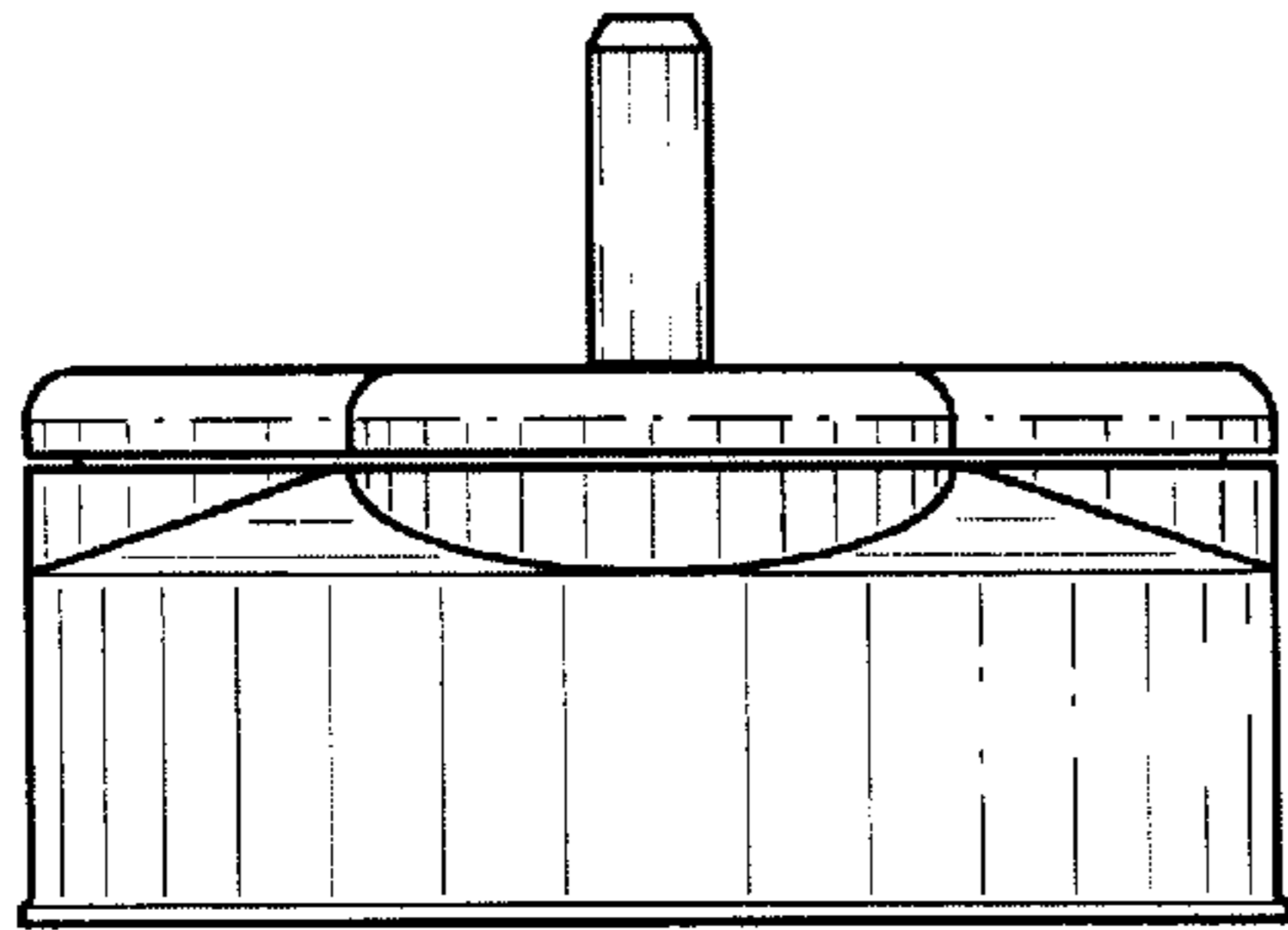


FIG. 2

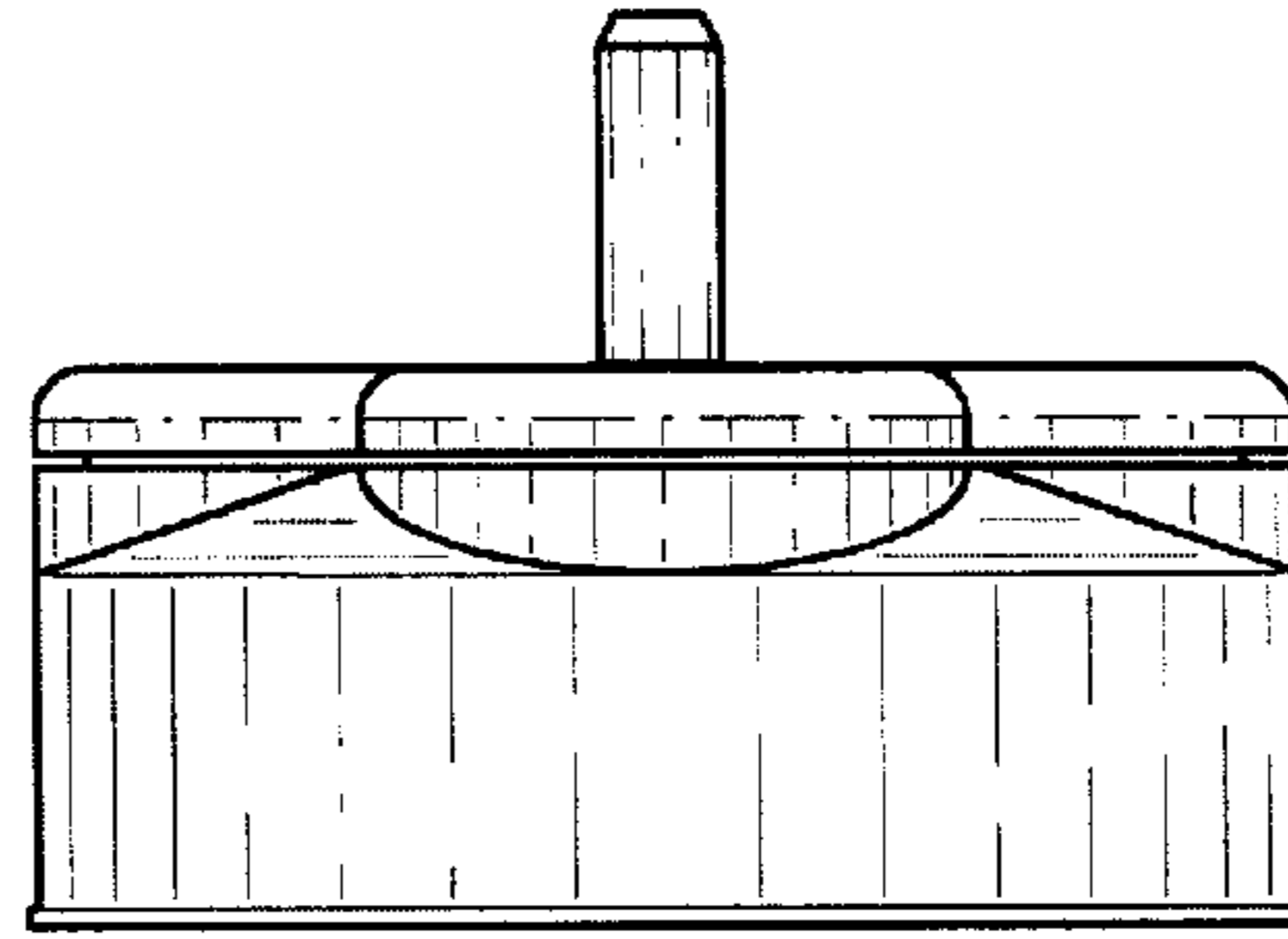


FIG. 3

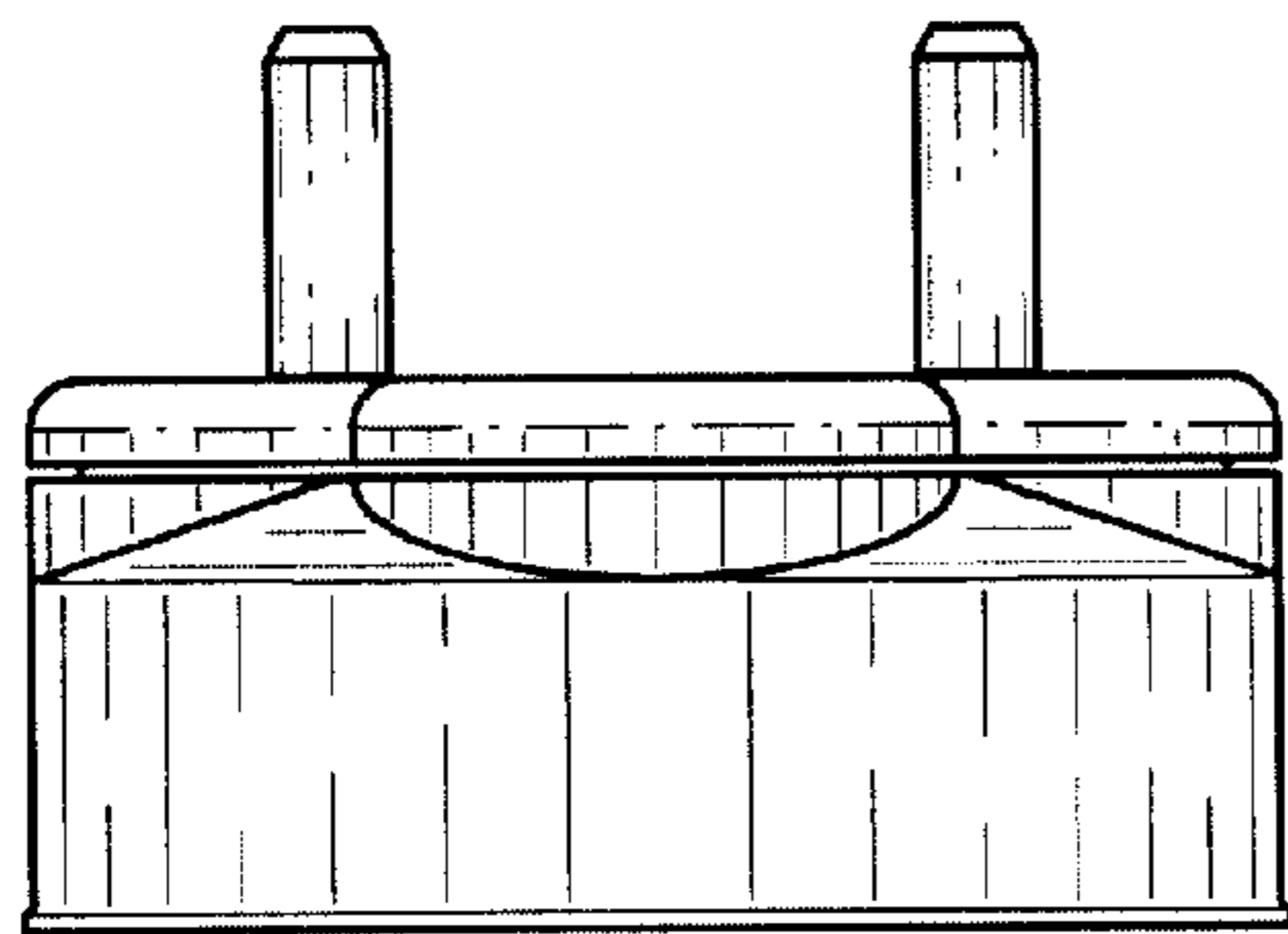


FIG. 4

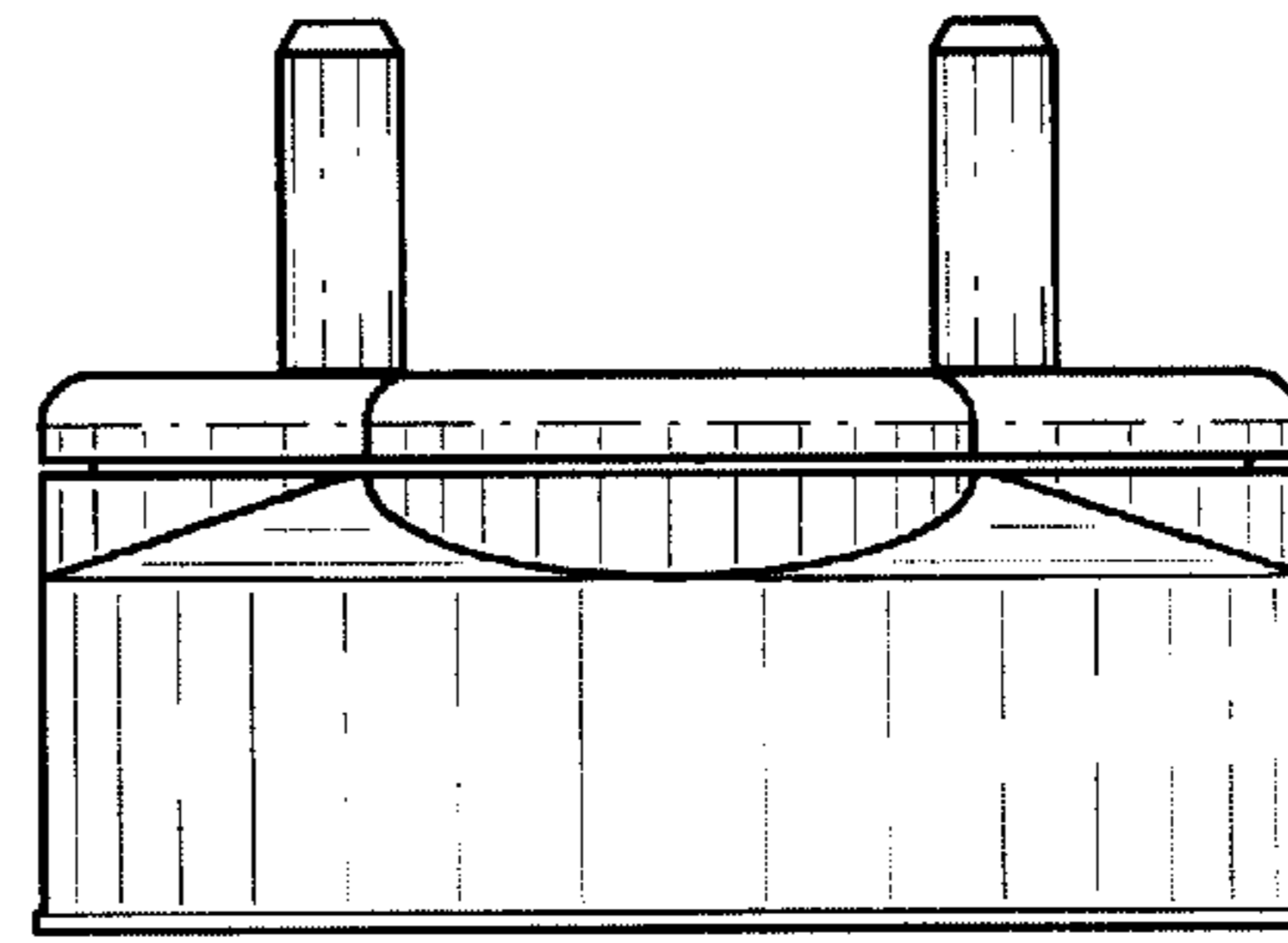


FIG. 5

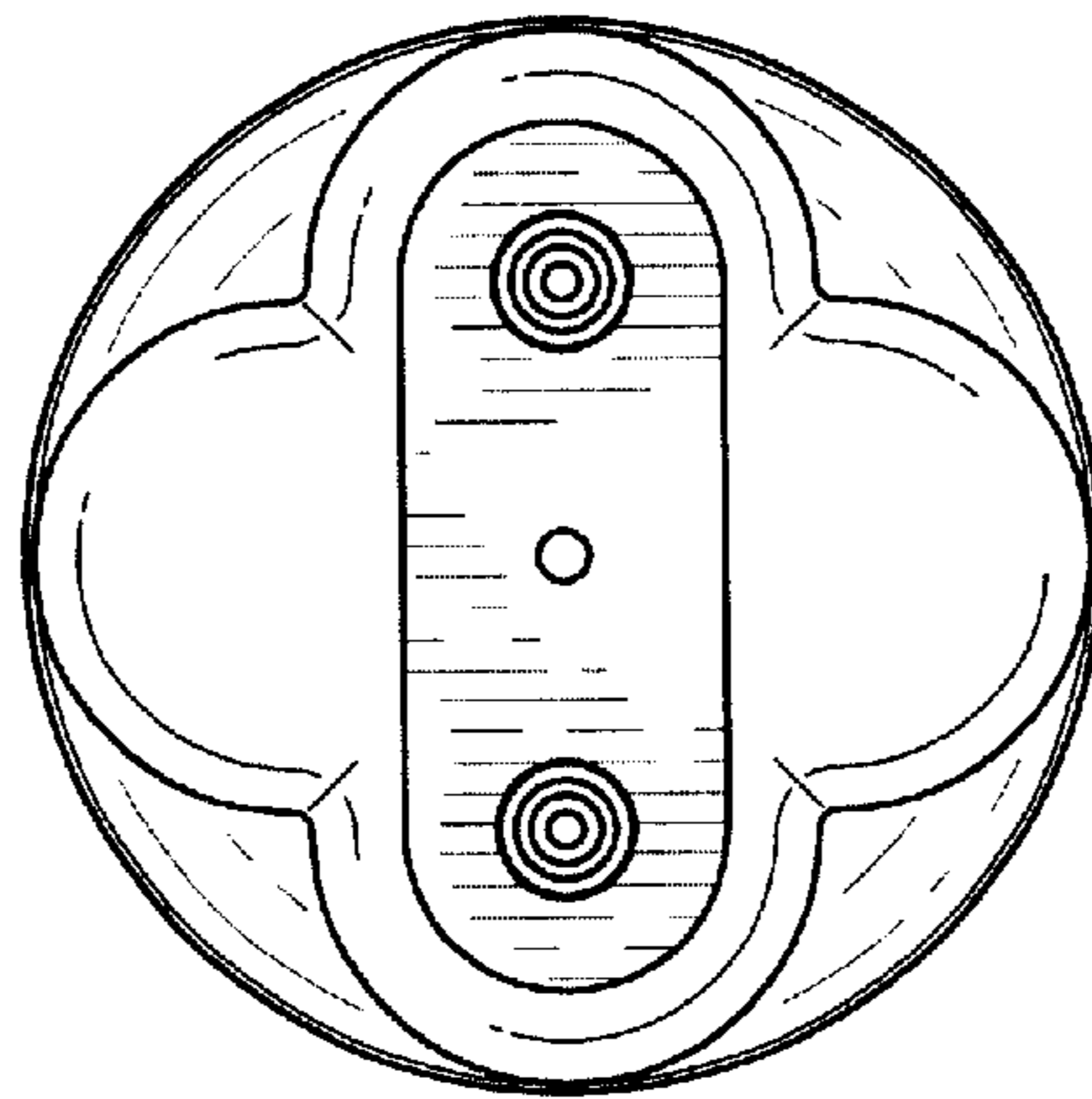


FIG. 6