



US00D514514S

(12) **United States Design Patent**  
**Franks, Jr.**

(10) **Patent No.:** **US D514,514 S**  
(45) **Date of Patent:** **\*\* Feb. 7, 2006**

(54) **CONTACT PLATE**

- (75) Inventor: **George J. Franks, Jr.**, Inverness, IL (US)
- (73) Assignee: **Senior Industries, Inc.**, Wood Dale, IL (US)
- (\*\*) Term: **14 Years**
- (21) Appl. No.: **29/197,604**
- (22) Filed: **Jan. 16, 2004**

**Related U.S. Application Data**

- (63) Continuation-in-part of application No. 10/417,306, filed on Apr. 14, 2003, now Pat. No. 6,877,996, which is a continuation-in-part of application No. 10/319,106, filed on Dec. 13, 2002, now abandoned, and a continuation-in-part of application No. 29/175,063, filed on Jan. 29, 2003, now Pat. No. Des. 487,427, and a continuation-in-part of application No. 29/175,064, filed on Jan. 29, 2003, now Pat. No. Des. 486,791.
- (51) **LOC (8) Cl.** ..... **13-03**
- (52) **U.S. Cl.** ..... **D13/133**
- (58) **Field of Classification Search** ..... **D13/133, D13/154; 439/92, 94, 95, 96, 97, 98, 99, 439/100, 101, 106, 108, 386, 810**  
See application file for complete search history.

(56) **References Cited**

**U.S. PATENT DOCUMENTS**

- 63,848 A     4/1867 Bruso
- 106,900 A    8/1870 Wharton
- 759,414 A    5/1904 Bishop

(Continued)

**FOREIGN PATENT DOCUMENTS**

- CA            603254        8/1960
- CA            968431        5/1975
- DE            1132999       7/1962

**OTHER PUBLICATIONS**

Trauffer, Arthur, "Snap-On Ground Clamp", *Radio & Television News*, Feb. 1954 (1 page).  
Senior Industries, Inc. product literature entitled "Meter Box Ground Clamp" (date prior to Dec. 13, 2001) (1 page).

(Continued)

*Primary Examiner*—Philip S. Hyder

(74) *Attorney, Agent, or Firm*—Bell, Boyd & Lloyd LLC

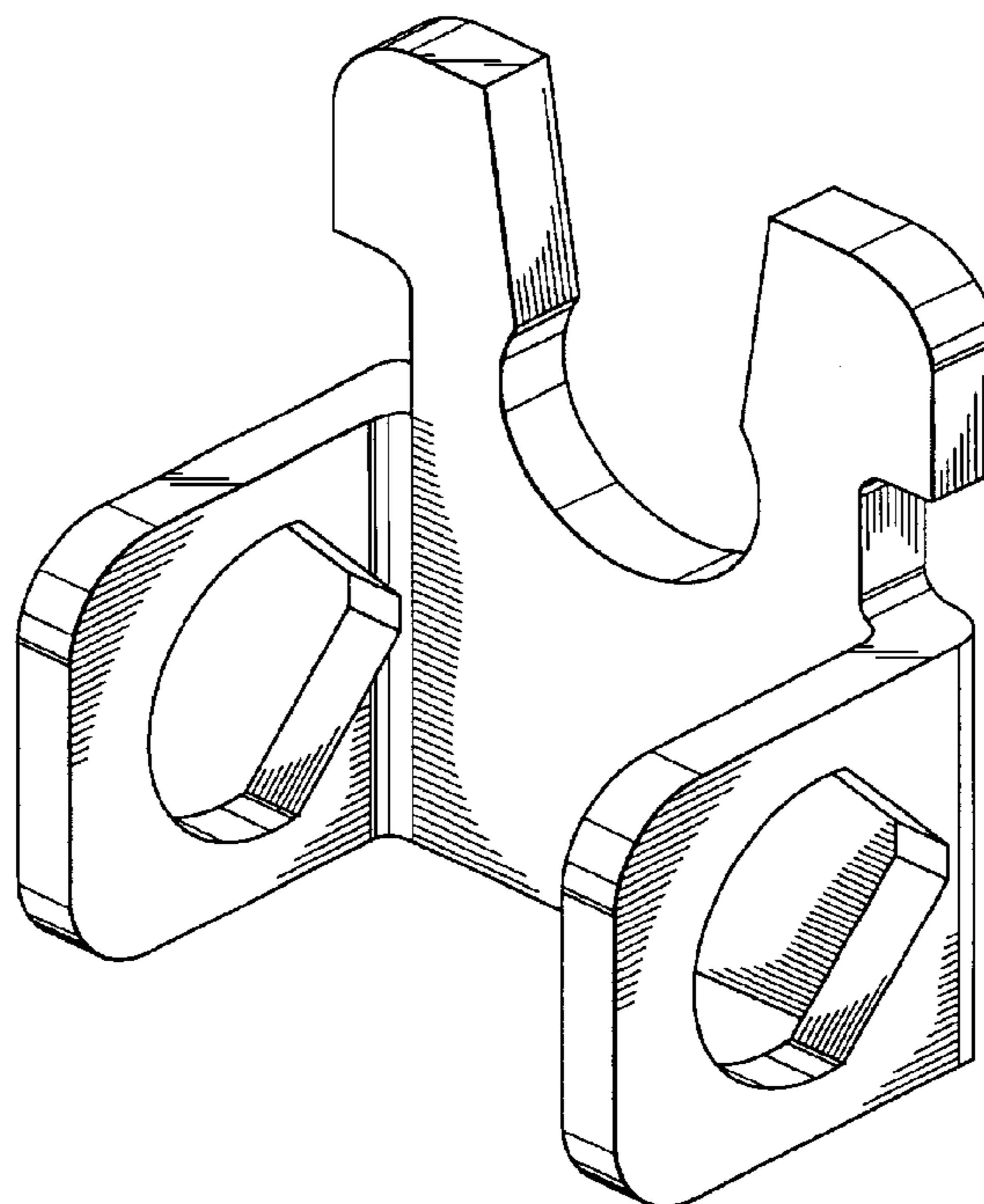
(57) **CLAIM**

I claim the ornamental design for a contact plate, as shown and described.

**DESCRIPTION**

FIG. 1 is a perspective view of a contact plate according to my new design;  
FIG. 2 is a front elevational view of the contact plate of FIG. 1;  
FIG. 3 is a plan view of the contact plate of FIG. 1;  
FIG. 4 is a right side elevational view of the contact plate of FIG. 1;  
FIG. 5 is a rear elevational view of the contact plate of FIG. 1;  
FIG. 6 is a bottom view of the contact plate of FIG. 1; and,  
FIG. 7 is a left side elevational view of the contact plate of FIG. 1.

**1 Claim, 2 Drawing Sheets**



# US D514,514 S

## U.S. PATENT DOCUMENTS

926,030 A 6/1909 Stout  
 933,311 A 9/1909 Klein  
 982,995 A 1/1911 Rogers  
 1,205,374 A 11/1916 Marcus  
 1,210,764 A 1/1917 Cole  
 1,349,225 A 8/1920 Rosenblum  
 1,408,301 A 2/1922 Jeter  
 1,486,560 A 3/1924 Becker  
 1,540,249 A 6/1925 Brown  
 1,552,932 A 9/1925 Kessler  
 1,597,169 A 8/1926 Taylor  
 1,652,191 A 12/1927 Withers  
 1,675,163 A 6/1928 Colburn  
 1,690,220 A 11/1928 Fahnestock  
 1,727,219 A 9/1929 Scharf et al.  
 1,794,976 A 3/1931 Mueller  
 1,810,901 A 6/1931 Bormann et al.  
 1,813,448 A 7/1931 Horton  
 1,910,022 A 5/1933 Legg  
 1,941,905 A 1/1934 Mair  
 1,986,028 A 1/1935 Terry  
 1,997,091 A 4/1935 Usselman  
 2,040,438 A 5/1936 Johnson  
 2,107,835 A 2/1938 Pierce  
 2,260,136 A 10/1941 Bergan  
 2,270,807 A 1/1942 Johnson  
 2,299,146 A 10/1942 Hubbard  
 2,420,895 A 5/1947 Merriman  
 2,423,627 A 7/1947 Tinnerman  
 2,458,413 A 1/1949 Pennell  
 2,529,153 A 11/1950 Hain  
 2,532,068 A 11/1950 Larsen  
 2,547,932 A 4/1951 Downs, Jr.  
 2,632,068 A 3/1953 Froebel et al.  
 2,710,381 A 6/1955 Monson  
 2,733,492 A 2/1956 Copell  
 2,811,704 A 10/1957 Newman  
 2,831,222 A 4/1958 Anderson  
 2,948,940 A 8/1960 Degener  
 2,970,287 A 1/1961 Gill  
 3,021,581 A 2/1962 Cook et al.  
 3,068,445 A 12/1962 Crowther  
 D197,417 S 1/1964 Kirkpatrick  
 3,129,994 A 4/1964 Harmon et al.  
 3,166,632 A 1/1965 Woodman  
 3,188,602 A 6/1965 Toedtman et al.  
 3,260,986 A 7/1966 Staffel  
 3,363,219 A 1/1968 Hubbard et al.  
 3,363,310 A 1/1968 Stinson, Jr.  
 3,435,126 A 3/1969 Hamilton  
 3,528,050 A 9/1970 Hindenburg  
 3,562,694 A 2/1971 Howe  
 3,568,128 A 3/1971 Taylor  
 3,694,794 A 9/1972 Hein  
 3,760,341 A 9/1973 Grad  
 3,781,757 A 12/1973 Barnes  
 3,850,490 A 11/1974 Zehr  
 3,914,001 A 10/1975 Nelson et al.  
 D243,404 S 2/1977 Mooney et al.  
 4,014,504 A 3/1977 Sachs  
 4,325,598 A 4/1982 Leonardo  
 4,355,852 A 10/1982 Bachle  
 4,440,374 A 4/1984 Achille  
 4,461,521 A 7/1984 Sachs  
 4,476,759 A 10/1984 Aderneck  
 4,526,428 A 7/1985 Sachs  
 4,529,261 A 7/1985 Stenz et al.  
 4,538,879 A 9/1985 Wagener  
 4,591,229 A 5/1986 Sachs  
 4,626,051 A 12/1986 Franks, Jr.

4,664,469 A 5/1987 Sachs  
 4,742,981 A 5/1988 Converse  
 D296,545 S 7/1988 Sachs  
 D296,546 S 7/1988 Sachs  
 D296,547 S 7/1988 Sachs  
 D297,410 S 8/1988 Sachs  
 4,768,963 A 9/1988 Barron  
 4,776,808 A 10/1988 Davidson  
 4,778,413 A 10/1988 Saarinen  
 4,780,096 A 10/1988 Franks, Jr.  
 4,784,621 A 11/1988 Auclair  
 4,828,504 A 5/1989 Franks, Jr.  
 4,884,976 A 12/1989 Franks, Jr.  
 4,904,193 A 2/1990 Graves  
 4,917,615 A 4/1990 Franks, Jr.  
 4,925,395 A 5/1990 Franks, Jr.  
 D312,038 S 11/1990 Sachs  
 4,973,259 A 11/1990 Sachs  
 D313,392 S 1/1991 Sachs  
 4,993,960 A 2/1991 Franks, Jr.  
 5,006,074 A 4/1991 Franks, Jr.  
 5,015,205 A 5/1991 Franks, Jr.  
 D323,973 S 2/1992 Sachs  
 D325,564 S \* 4/1992 Lemke ..... D13/154  
 5,114,354 A 5/1992 Franks, Jr.  
 D329,014 S 9/1992 Sachs  
 D335,079 S 4/1993 Sachs  
 D340,226 S 10/1993 Sachs  
 D340,389 S \* 10/1993 Yamanashi ..... D8/14  
 D343,385 S 1/1994 Sachs  
 D344,886 S 3/1994 Sachs  
 D351,825 S 10/1994 Sachs  
 5,370,345 A 12/1994 Condon  
 D357,400 S 4/1995 Sachs  
 D362,174 S 9/1995 Sachs  
 D364,332 S 11/1995 Sachs  
 D367,259 S 2/1996 Sachs  
 D369,780 S 5/1996 Sachs  
 5,681,191 A 10/1997 Robicheau et al.  
 5,746,609 A 5/1998 Franks, Jr.  
 D395,997 S 7/1998 Coll et al.  
 D406,813 S 3/1999 Coll et al.  
 5,928,006 A 7/1999 Franks, Jr.  
 6,252,166 B1 6/2001 Leschinger  
 6,283,771 B1 9/2001 Mitchell et al.  
 D459,302 S 6/2002 Malin  
 D459,304 S 6/2002 Malin  
 D459,305 S 6/2002 Malin  
 D459,306 S 6/2002 Malin  
 D464,322 S \* 10/2002 Hiramoto et al. .... D13/154  
 D464,323 S \* 10/2002 Harasawa et al. .... D13/154  
 D486,791 S 2/2004 Franks, Jr.  
 D487,427 S 3/2004 Franks, Jr.

## FOREIGN PATENT DOCUMENTS

DE	2108227	9/1972
DE	2741791	7/1978
DE	2713247	9/1978
DE	147294	3/1981
FR	1126748	11/1956
GB	1085499	10/1967
GB	1159264	7/1969
GB	2195837	4/1988
SE	161707	12/1957

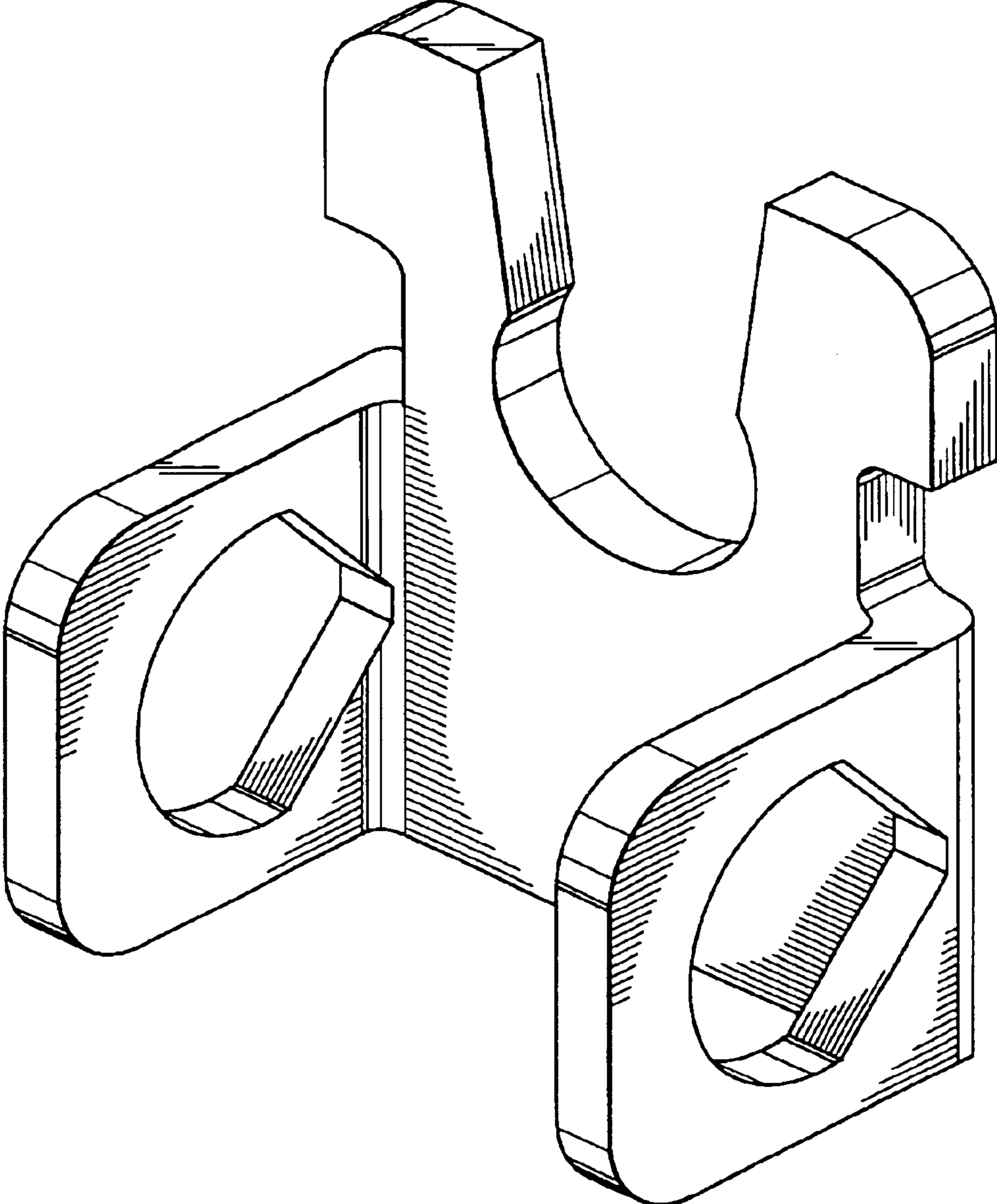
## OTHER PUBLICATIONS

Senior Industries, Inc. product literature entitled "2 New Ground Clamp Systems" (date prior to Dec. 13, 2001) (1 page).

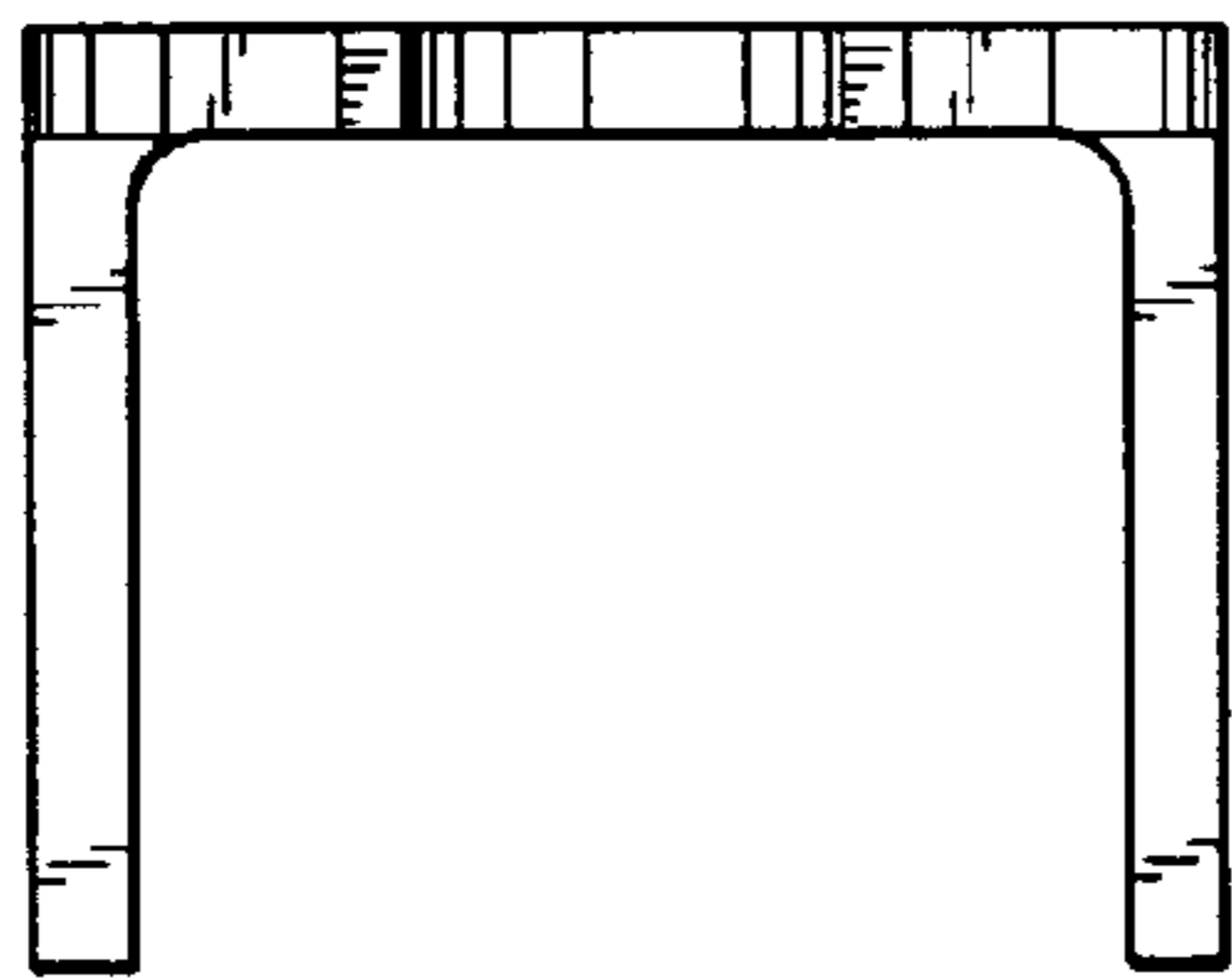
- Senior Industries, Inc. product literature entitled “Structure Ground Clamps” (date prior to Dec. 13, 2001) (1 page).
- Senior Industries, Inc. product literature entitled “Bonding Ribbon Clamp” (date prior to Dec. 13, 2001) (1 page).
- Senior Industries, Inc. product literature entitled “Grounding Connectors” (date prior to Dec. 13, 2001) (1 page).
- Senior Industries, Inc. product literature for clamps and connectors (date prior to Dec. 13, 2001) (2 pages).
- Senior Industries, Inc. product literature entitled “Universal Ground Clamp” (date prior to Dec. 13, 2001) (1 page).
- Senior Industries, Inc. product literature entitled “B Strand Ground Clamp, Beam Clamp, B Ground Wire Clamp” (date prior to Dec. 13, 2001) (1 page).
- Thomas & Betts product brochure entitled “T&B Telecommunications 40–2000X Grounding Clamp” (1998) (3 pages).
- Diamond Communication Products, Inc. product brochure entitled “Meter Box Ground Clamp” (date prior to Dec. 13, 2001) (1 page).
- Sachs Canada, Inc. product literature entitled “SaxInfo Industry & Product News” (date prior to Dec. 13, 2001) (1 page).
- Sachs Canada, Inc. product literature entitled “SC51–1 Application Procedures” (date prior to Dec. 13, 2001) (1 page).
- Sachs Communications, Inc. product literature entitled “SC51–1 Application Procedures” (date prior to Dec. 13, 2001) (1 page).
- Sachs Canada, Inc. product literature entitled “SC51–2SS Application Procedures” (date prior to Dec. 13, 2001) (1 page).
- Sachs Canada, Inc. product brochure entitled “SC51–2SS Application Procedures” (date prior to Dec. 13, 2001) (1 page).
- Diamond/Sachs Communications Inc. product literature entitled “SC51CF–81 Application Procedures” (date prior to Dec. 13, 2001) (1 page).
- Diamond/Sachs Communications Inc. product literature entitled “SC51CF–85 Application Procedures” (date prior to Dec. 13, 2001) (1 page).
- Sachs Communications Inc. product literature entitled “Bonding Connector” (date prior to Dec. 13, 2001) (1 page).
- Allied Bolt, Inc. product brochure entitled “Drop Wire Hardware” (1998) (1 page).
- Allied Bolt, Inc. product literature entitled “Grounding Hardware” (date prior to Dec. 13, 2001) (1 page).
- Arris TeleWire Supply product literature for Monarch Grounding Products (undated) (1 page).
- Holland Electronics LLC product brochure entitled “Connectors” (2002) (1 page).
- Sachs Canada Inc. product literature entitled “Grounding & Bonding” (1991) (pages GB–1 and GB–2).
- Sachs Canada Inc. product literature entitled “Up Grading Additional Outlets” (1991) (1 page).
- Sachs Canada Inc. product literature entitled “SC42 Bonding Connector Application” (1991) (1 page).
- Sachs Canada Inc. product literature entitled “SaxInfo Industry & Product News” for “SC42–Ground Connector” (date prior to Dec. 13, 2001) (1 page).
- Sachs Canada Inc. product literature entitled “Bonding Cable & Equipment at Pedestal” (1991) (1 page).
- Sachs Canada Inc. product literature entitled “Bonding Connection at Meter Pan” (1991) (1 page).
- Sachs Canada Inc. product brochure entitled “SC51–1 Application Sheet” (date prior to Dec. 13, 2001) (1 page).
- Sachs product brochure entitled “SC51–2SS Application Procedures” (date prior to Dec. 13, 2001) (1 page).
- Sachs Canada Inc. product literature entitled “SC13 Series Ground Strap Application” (1991) (1 page).
- Sachs Canada Inc. product literature entitled “SC13BZ–4 Application Procedures” (dated prior to Dec. 13, 2001) (2 pages).
- Sachs Canada Inc. product literature entitled “Grounding Customer Drops” (1991) (1 page).
- Thomas & Betts “Product Handbook” (1998) (pp. cover page, 66, 67, 71–89, 126, 127, 142, 143).
- Sachs Communications Product Book (1995) (pp. cover, 30–33, 40, 41, 44–47, 56–59, 70, 71, 76–79, 82, 83, 86–90).
- Schram, Peter J., *The National Electric Code Handbook*, Third Edition (1984), National Fire Protection Association, Quincy, Massachusetts, p. 195.

\* cited by examiner

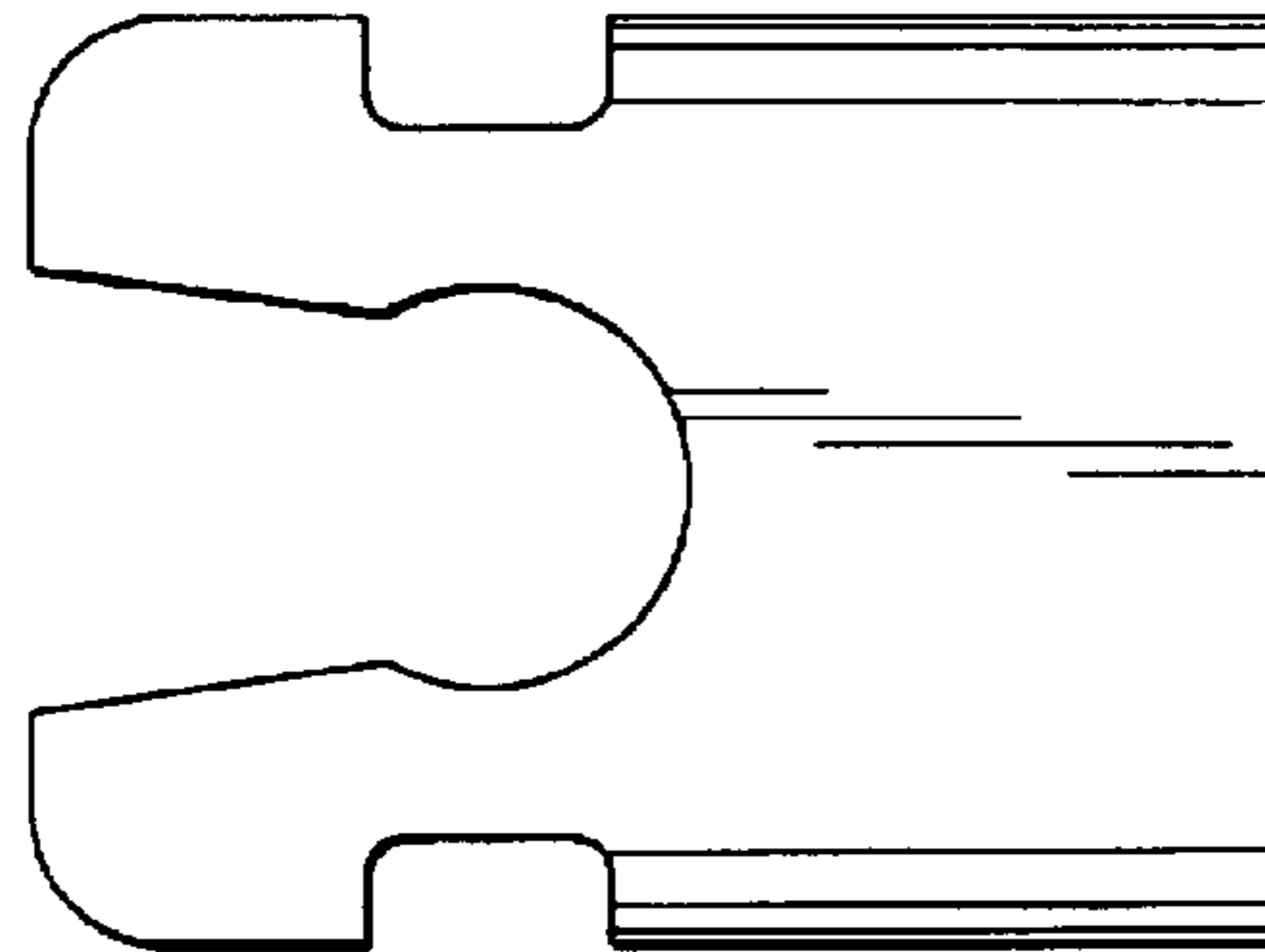
Fig. 1



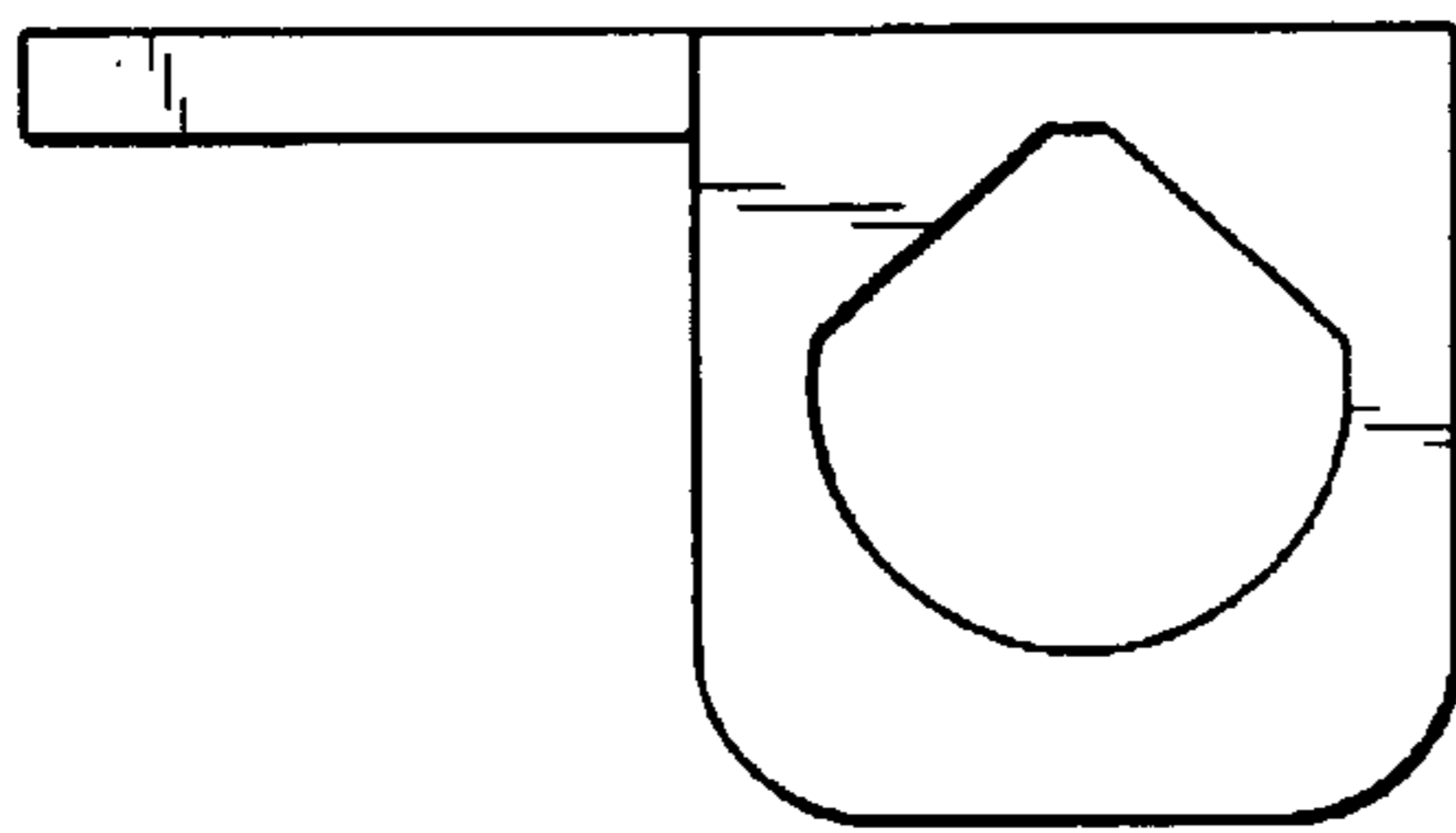
**Fig. 2**



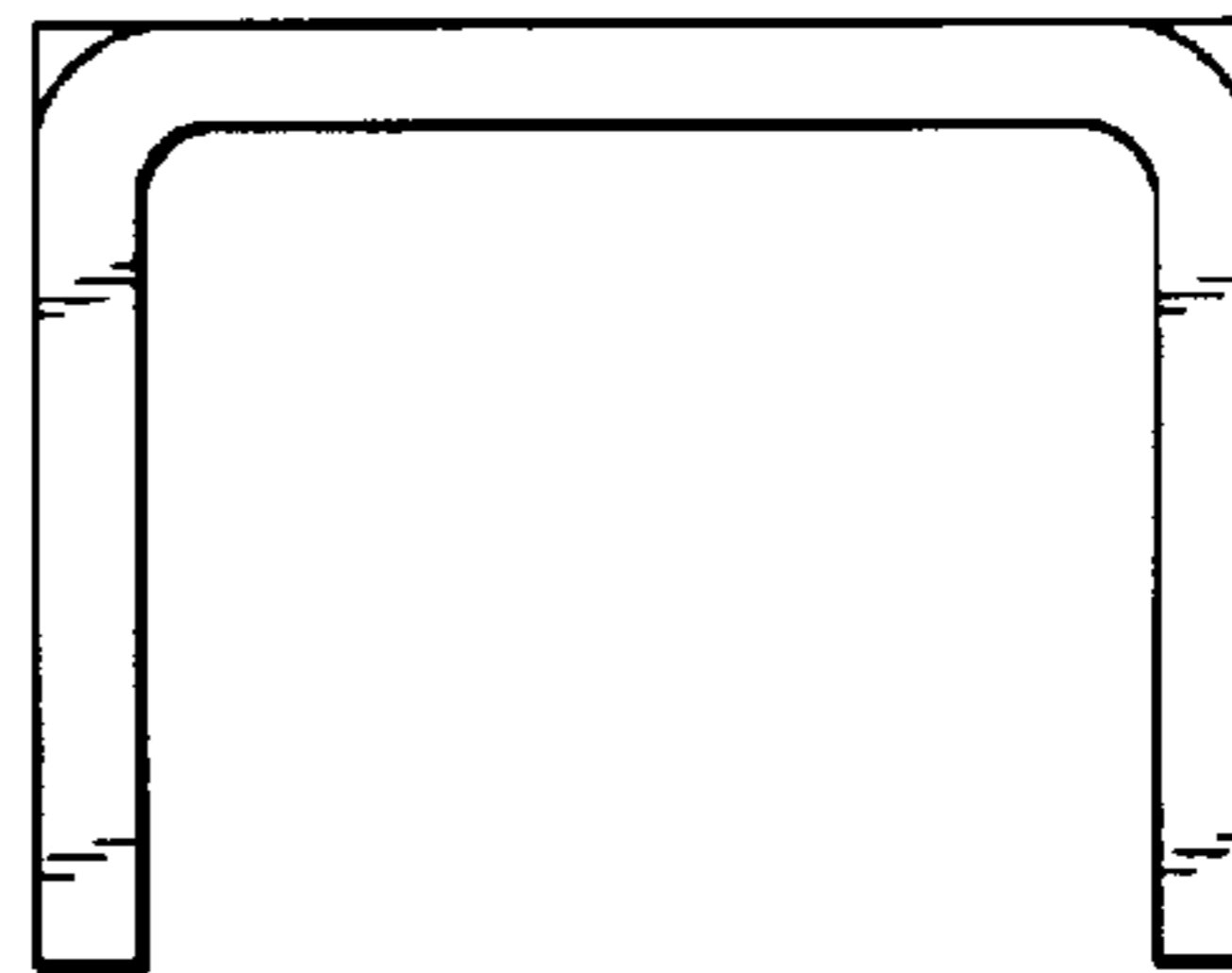
**Fig. 3**



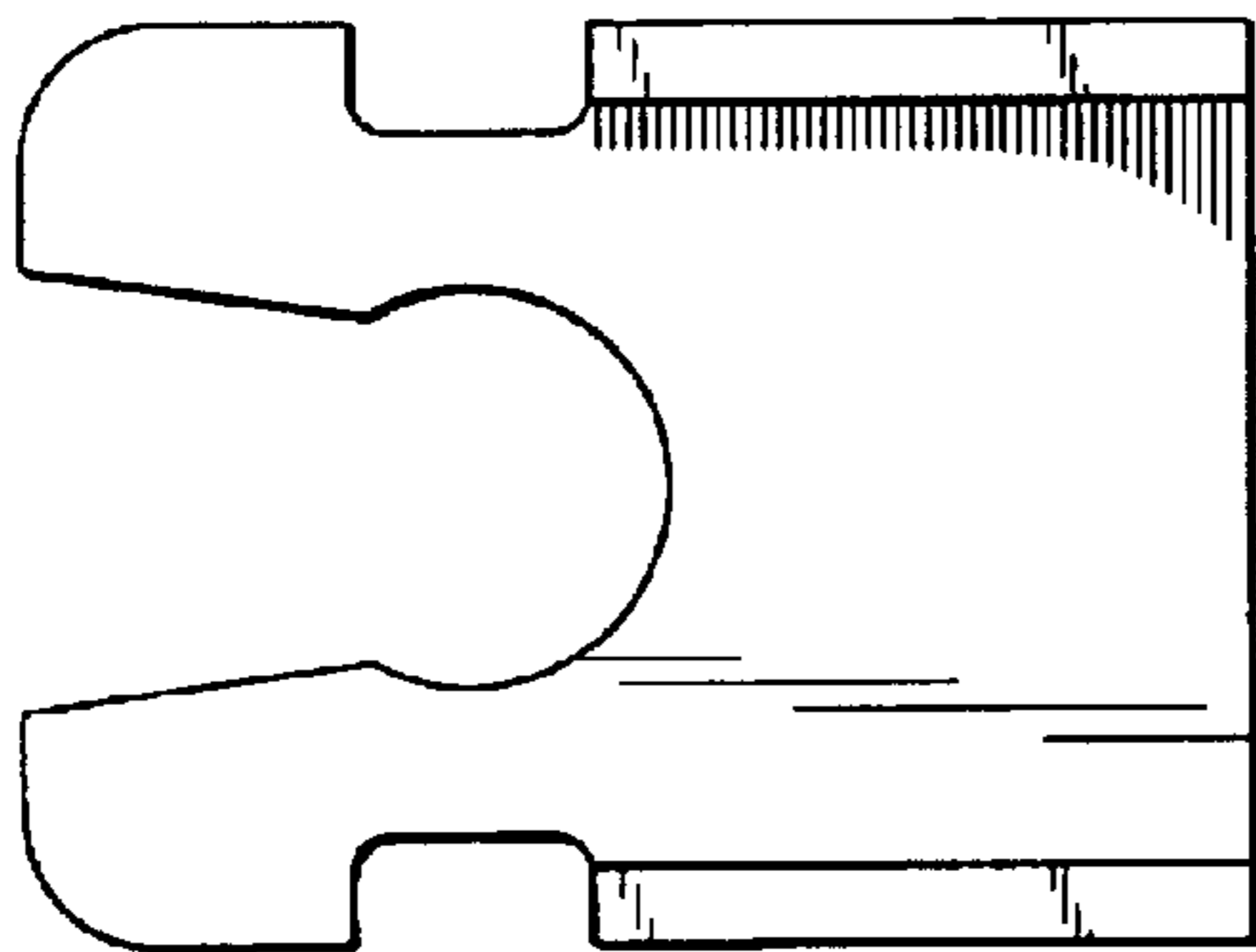
**Fig. 4**



**Fig. 5**



**Fig. 6**



**Fig. 7**

