



US00D514513S

(12) **United States Design Patent**  
**Vetter**

(10) **Patent No.:** **US D514,513 S**

(45) **Date of Patent:** **\*\* \*Feb. 7, 2006**

(54) **EMERGENCY BATTERY BACK-UP GENERATOR**

(76) **Inventor:** **Klaus Dieter Vetter**, 840 Swamp Rd., Furlong, PA (US) 18925

(\* ) **Notice:** This patent is subject to a terminal disclaimer.

(\*\* ) **Term:** **14 Years**

(21) **Appl. No.:** **29/209,786**

(22) **Filed:** **Jul. 22, 2004**

(51) **LOC (8) Cl.** ..... **13-02**

(52) **U.S. Cl.** ..... **D13/110**

(58) **Field of Classification Search** ..... D13/110,  
D13/112, 113, 114, 116, 199; 307/64, 150;  
322/100, DIG. 2

See application file for complete search history.

(56) **References Cited**

**U.S. PATENT DOCUMENTS**

- D109,065 S \* 3/1938 Kotterman ..... D13/110
- D109,066 S \* 3/1938 Kotterman ..... D13/110
- D138,383 S \* 7/1944 Whitesell et al. .... D13/110

- D149,166 S \* 4/1948 Chapman ..... D13/110
- D277,954 S \* 3/1985 Mizushima ..... D13/114
- D279,977 S \* 8/1985 Bonazelli ..... D13/116
- D294,015 S \* 2/1988 Gomi ..... D13/114
- D416,858 S \* 11/1999 Domanski ..... D13/114
- D458,220 S \* 6/2002 Vetter ..... D13/110

\* cited by examiner

*Primary Examiner*—Stella Reid

*Assistant Examiner*—Daniel Bui

(74) *Attorney, Agent, or Firm*—Zachary T. Wobensmith, III

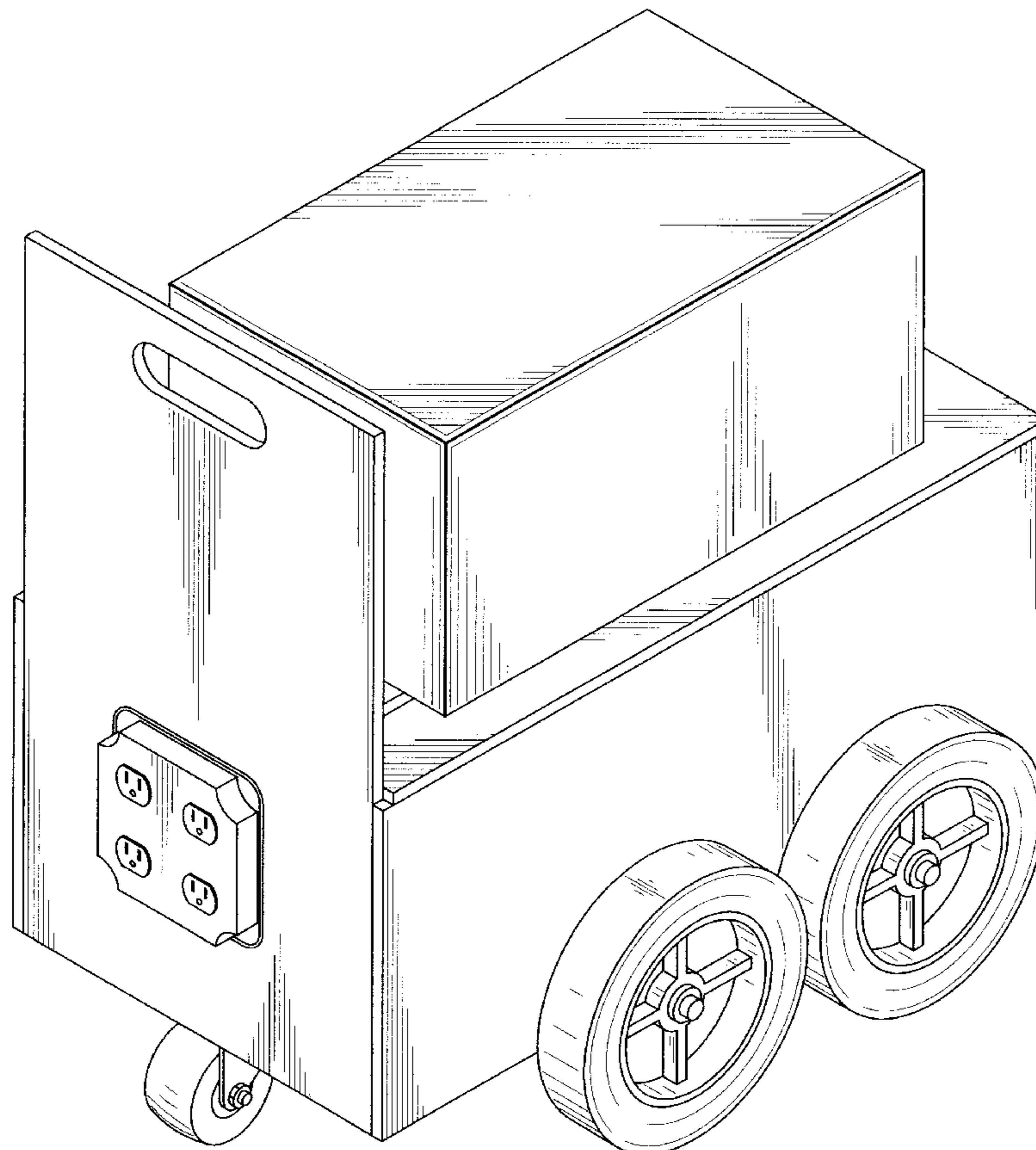
(57) **CLAIM**

The ornamental design for an emergency battery back-up generator, as shown and described.

**DESCRIPTION**

FIG. 1 is a perspective view of the emergency battery back-up generator showing my new design;  
 FIG. 2 is a front view thereof;  
 FIG. 3 is a right side view thereof;  
 FIG. 4 is a rear view thereof;  
 FIG. 5 is a left side view thereof;  
 FIG. 6 is a top plan view thereof; and,  
 FIG. 7 is a bottom plan view thereof.

**1 Claim, 4 Drawing Sheets**



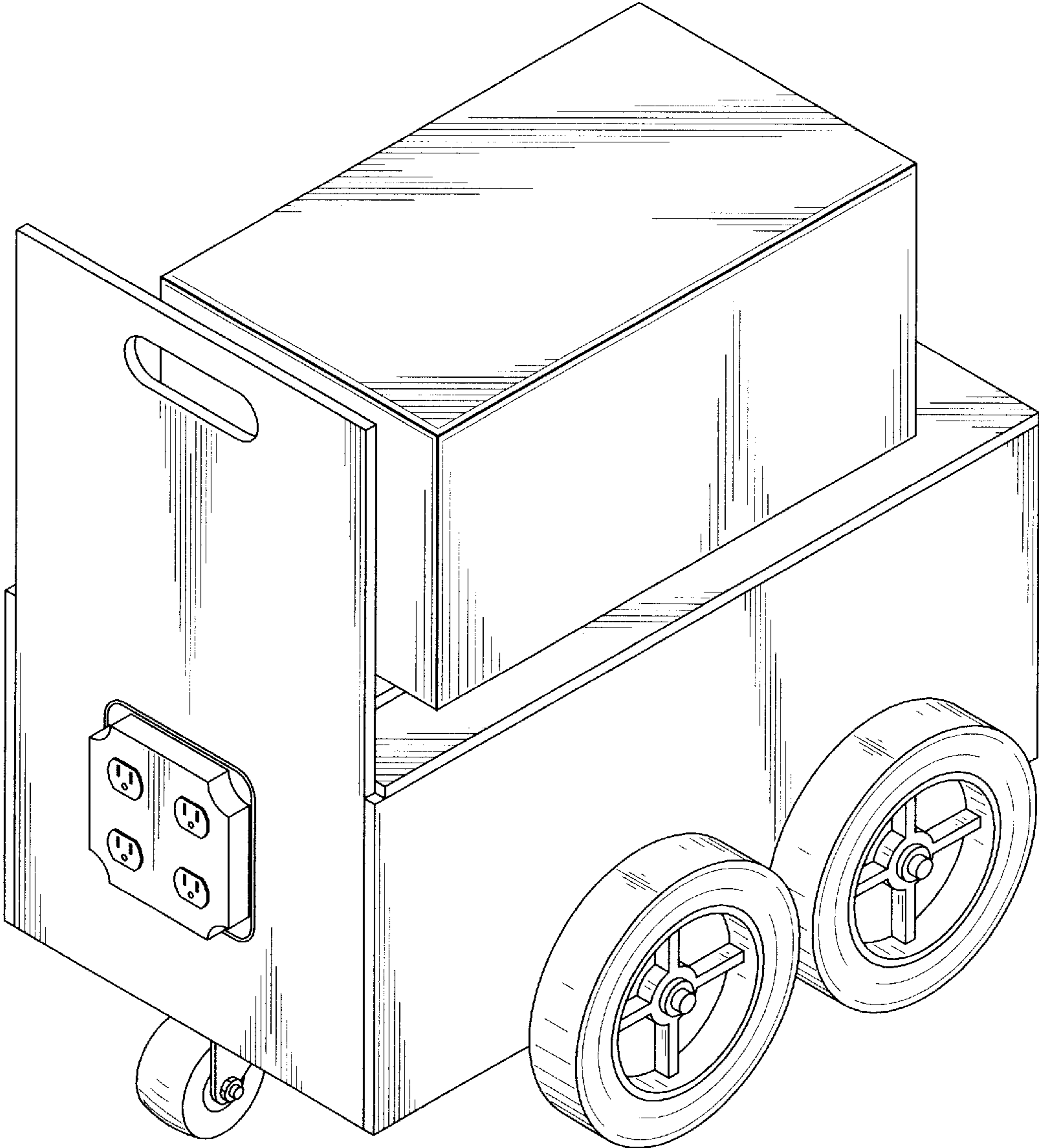
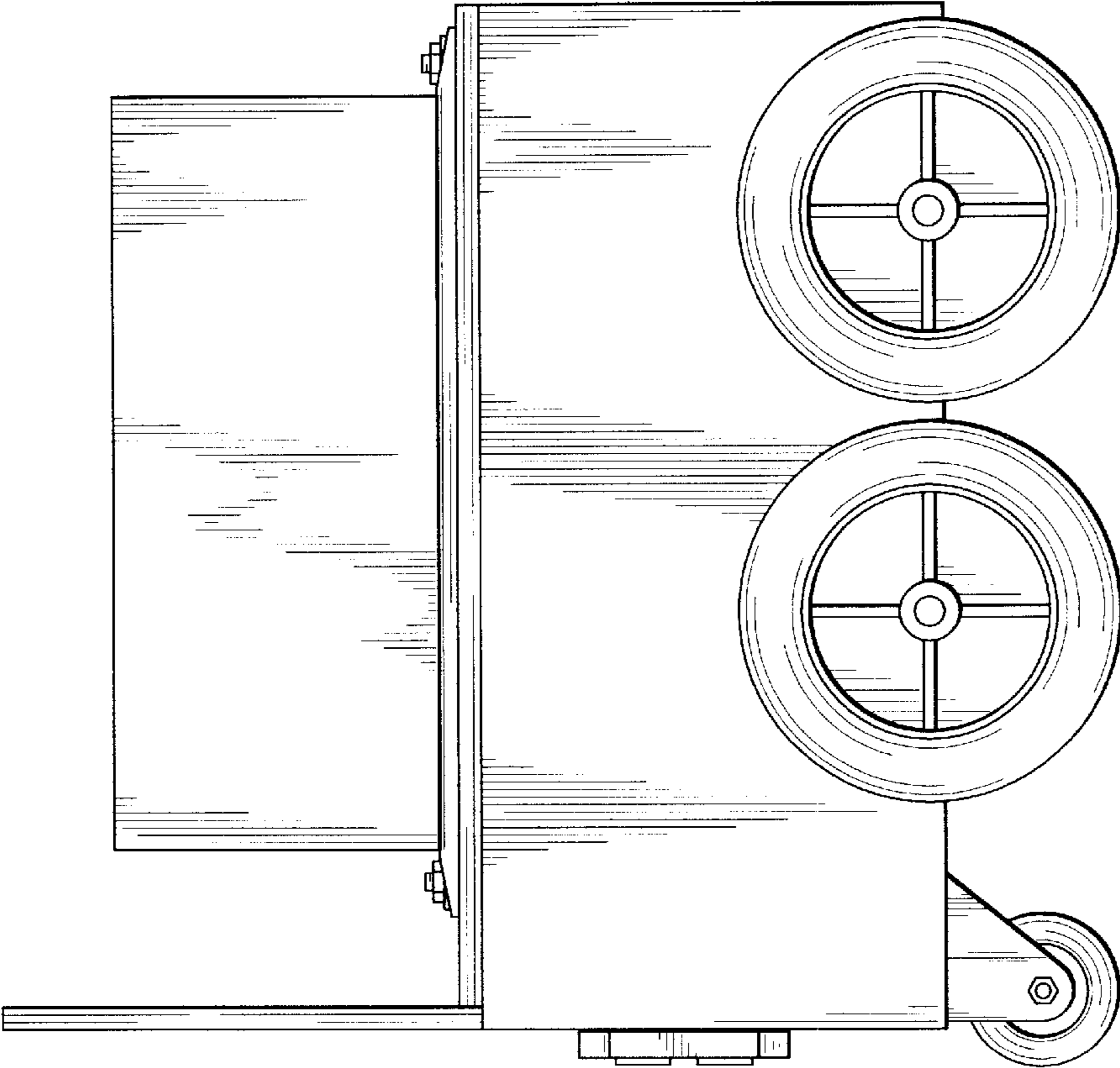
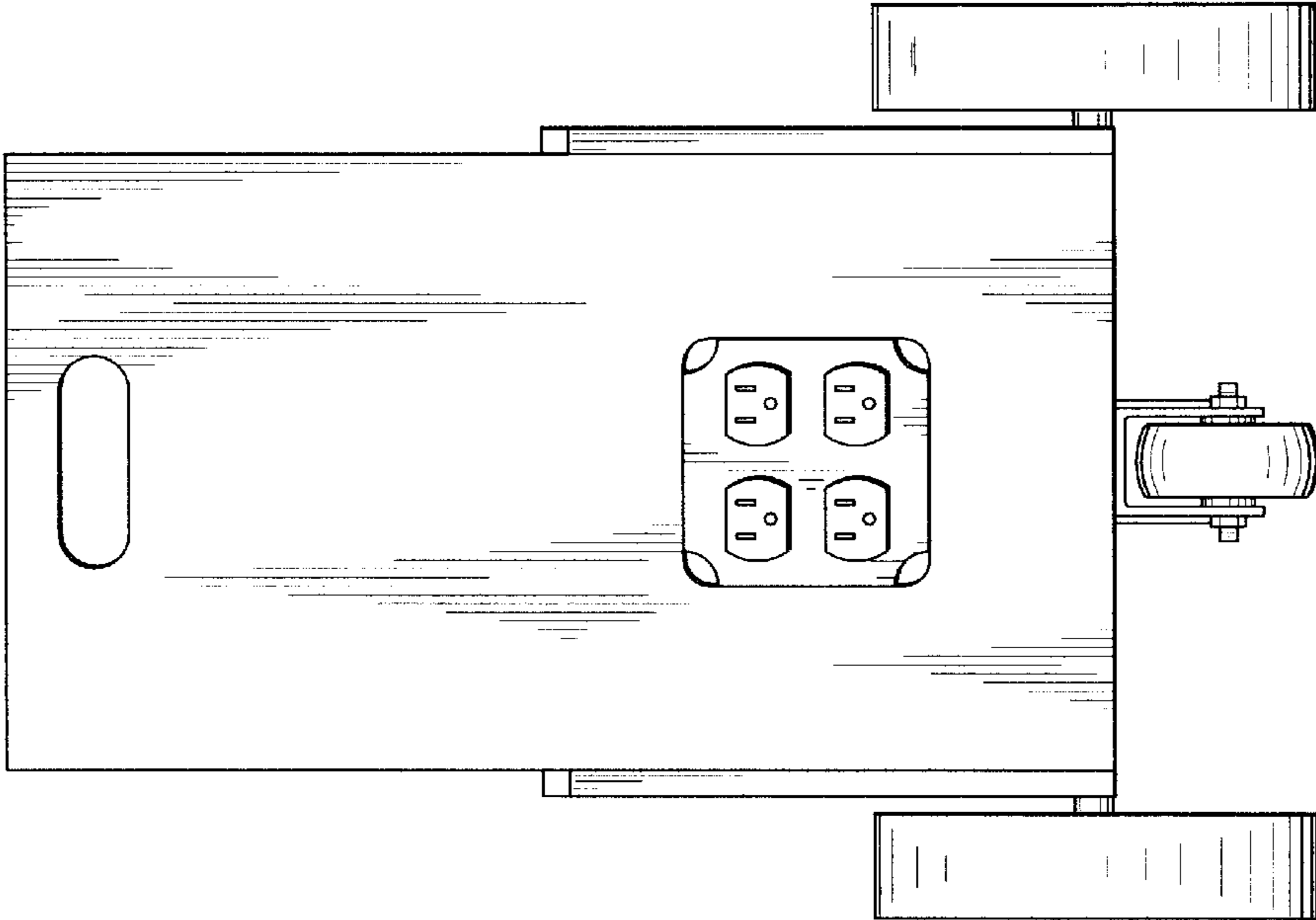


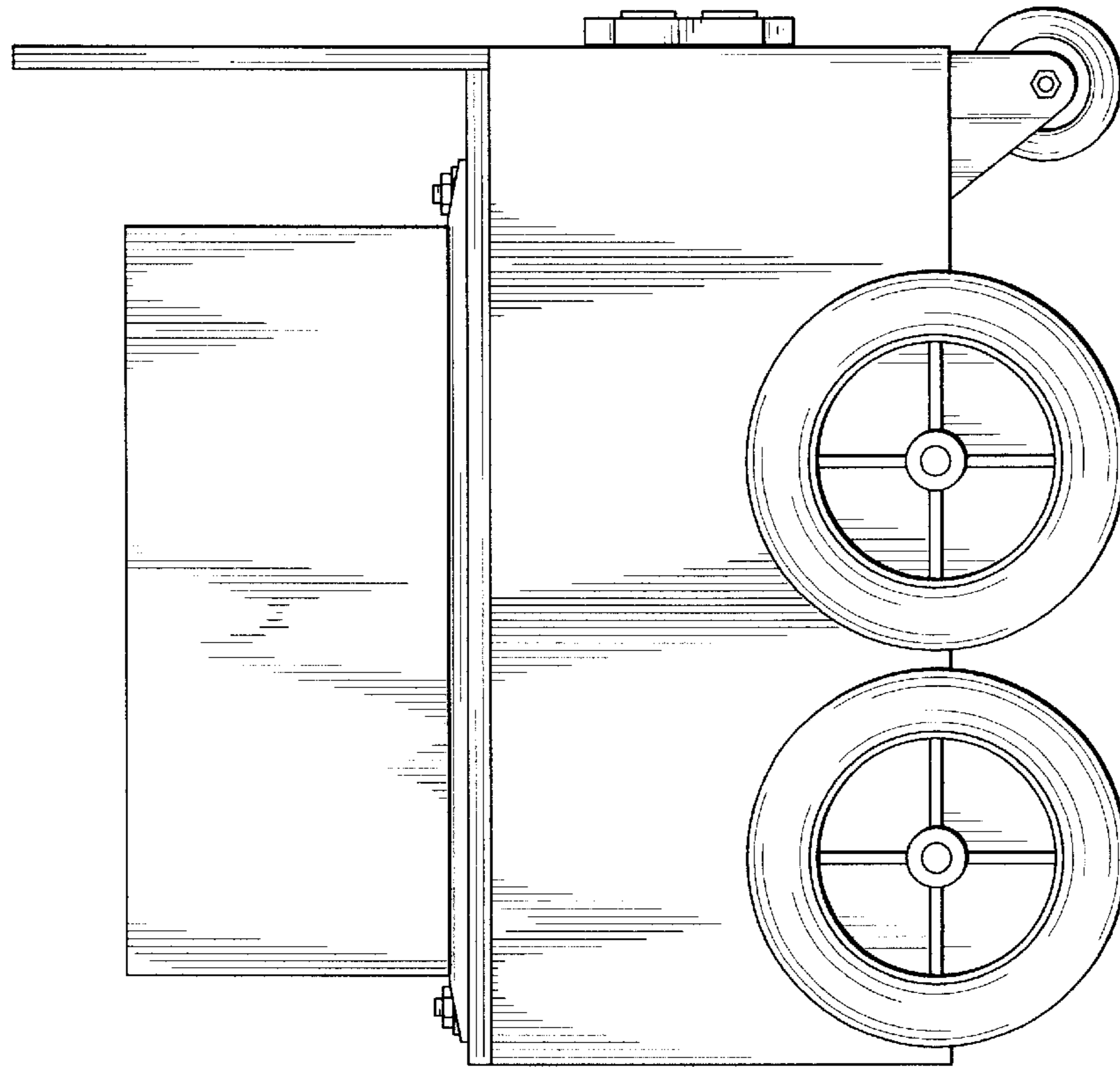
Fig. 1



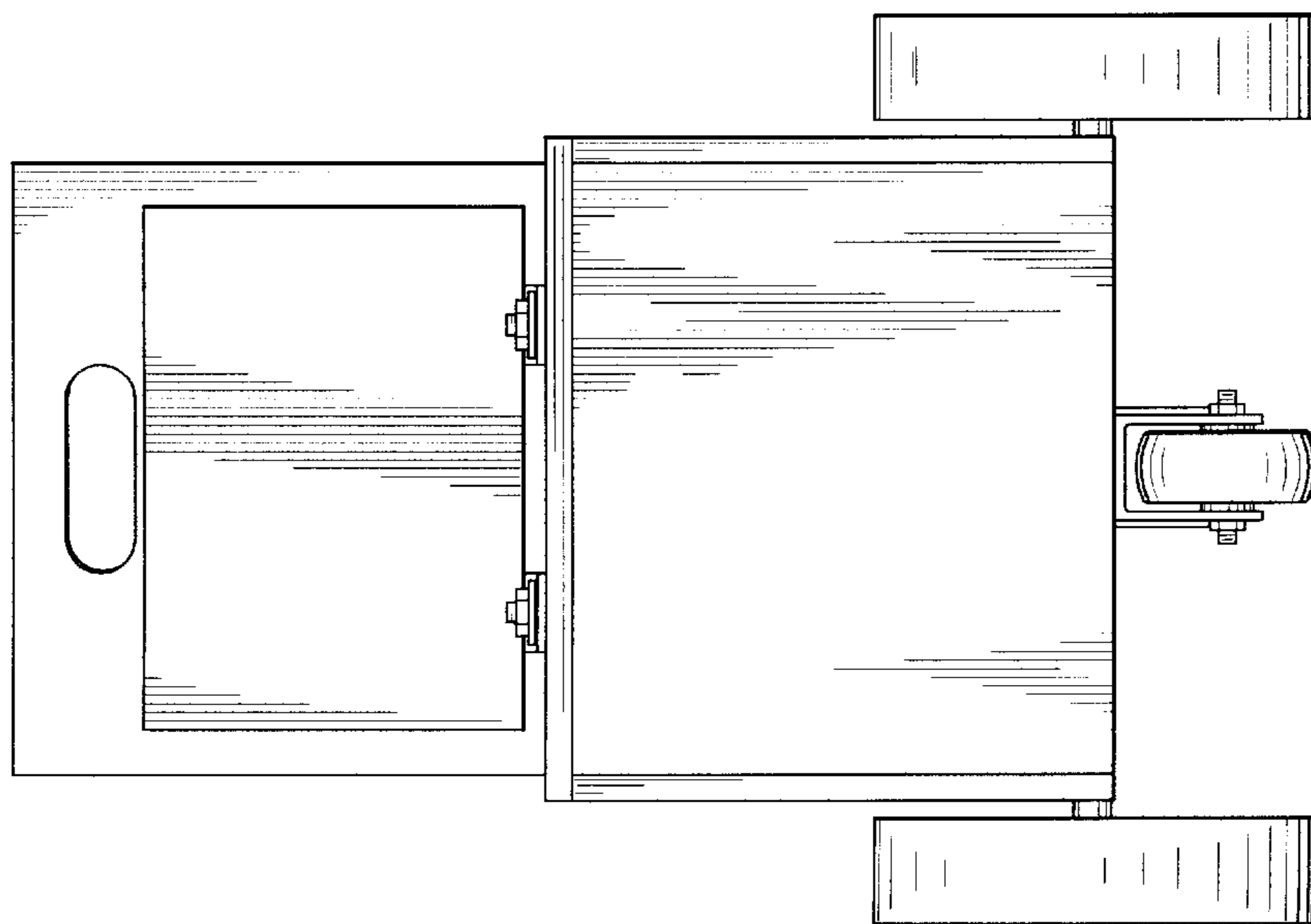
*Fig. 3*



*Fig. 2*



*Fig. 5*



*Fig. 4*

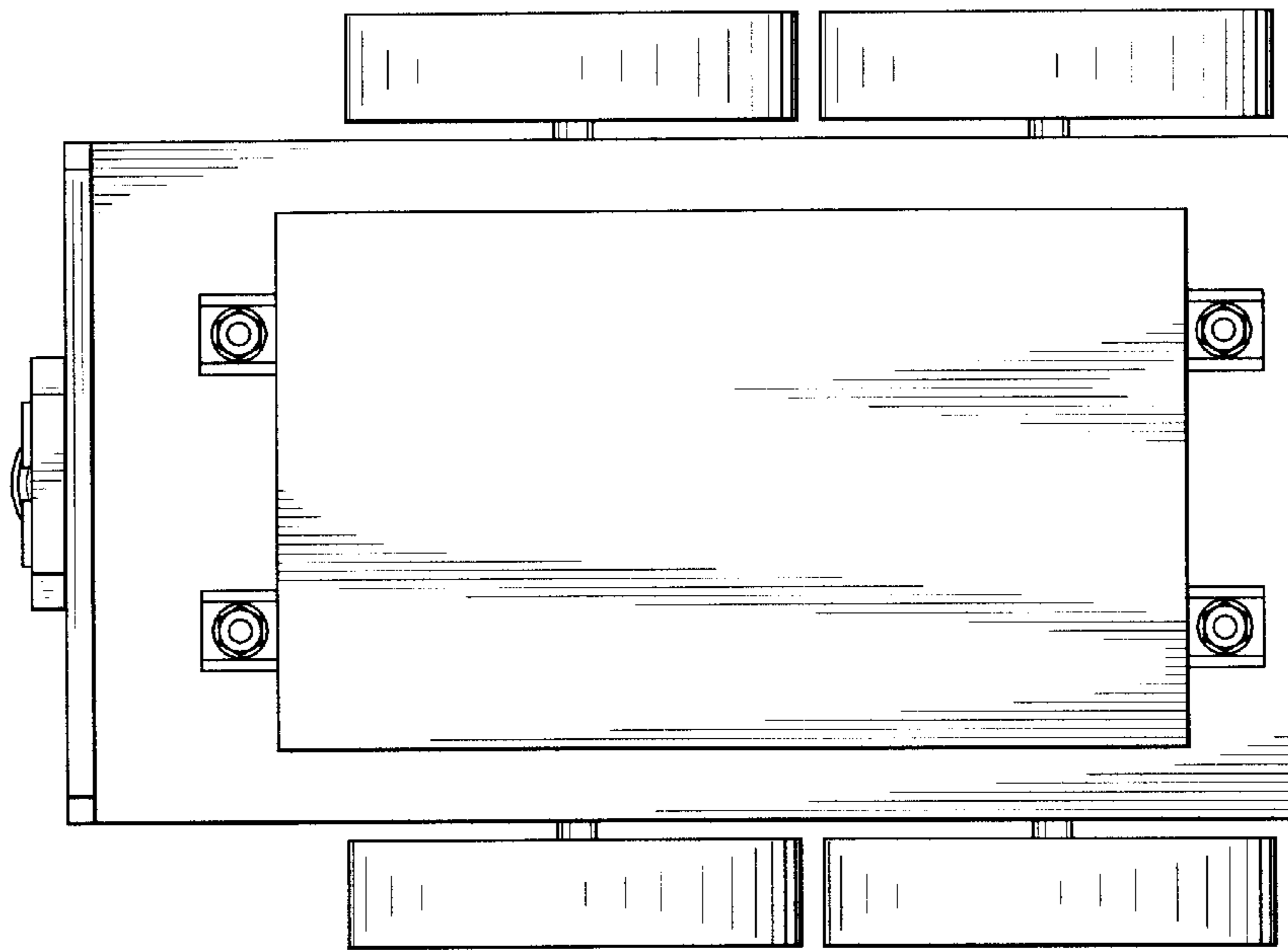


Fig. 6

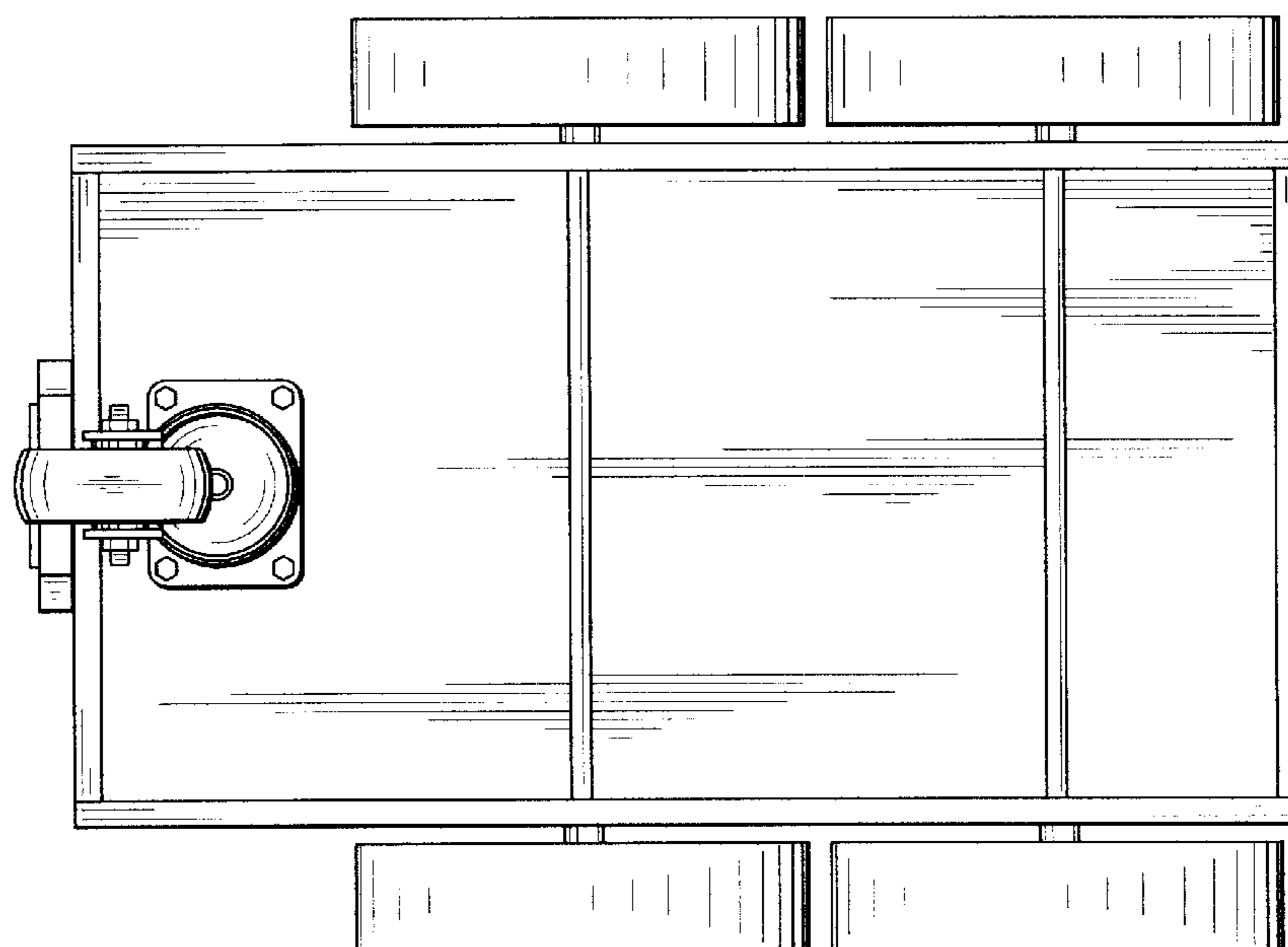


Fig. 7