



US00D514507S

(12) **United States Design Patent**
Cheung et al.

(10) **Patent No.:** **US D514,507 S**

(45) **Date of Patent:** **** Feb. 7, 2006**

(54) **BATTERY CHARGER**

(75) Inventors: **Benson Chun Kit Cheung**, Kowloon (HK); **Daniel Alex Chunn**, Kowloon (HK)

(73) Assignee: **One World Technologies Limited**, Hamilton (BM)

(**) Term: **14 Years**

(21) Appl. No.: **29/203,229**

(22) Filed: **Apr. 12, 2004**

(51) **LOC (8) Cl.** **13-02**

(52) **U.S. Cl.** **D13/107; D13/108**

(58) **Field of Classification Search** D13/107-110, D13/118, 184; D14/251, 253, 432; D16/219, D16/237, 242; 320/107-115

See application file for complete search history.

(56) **References Cited**

U.S. PATENT DOCUMENTS

D271,391 S	*	11/1983	Scheid	D13/107
D276,149 S		10/1984	Eckmann et al.		
D298,230 S		10/1988	Lay		
D313,004 S		12/1990	Hasegawa et al.		
D321,337 S		11/1991	Sakamoto et al.		
5,065,082 A	*	11/1991	Fushiya	320/110
5,148,094 A	*	9/1992	Parks et al.	320/110
5,280,229 A	*	1/1994	Faude et al.	320/110
5,742,149 A	*	4/1998	Simpson	320/113
D400,499 S	*	11/1998	Bunyea	D13/107
D409,976 S		5/1999	Buck		

D417,430 S		12/1999	Ko		
D426,808 S		6/2000	Hsiao		
6,075,341 A	*	6/2000	White et al.	320/114
D429,211 S	*	8/2000	Ohi et al.	D13/107
D440,202 S	*	4/2001	Heun	D13/107
D472,875 S		4/2003	Garvis et al.		
D493,422 S	*	7/2004	Krieger et al.	D13/107

* cited by examiner

Primary Examiner—Alan P. Douglas

Assistant Examiner—Rosemary Tarcza

(74) *Attorney, Agent, or Firm*—Brinks Hofer Gilson & Lione

(57) **CLAIM**

We claim the ornamental design for a battery charger, as shown and described.

DESCRIPTION

FIG. 1 is a top perspective view of a battery charger of the present invention;

FIG. 2 is a top view thereof;

FIG. 3 is a bottom view thereof;

FIG. 4 is a front view thereof;

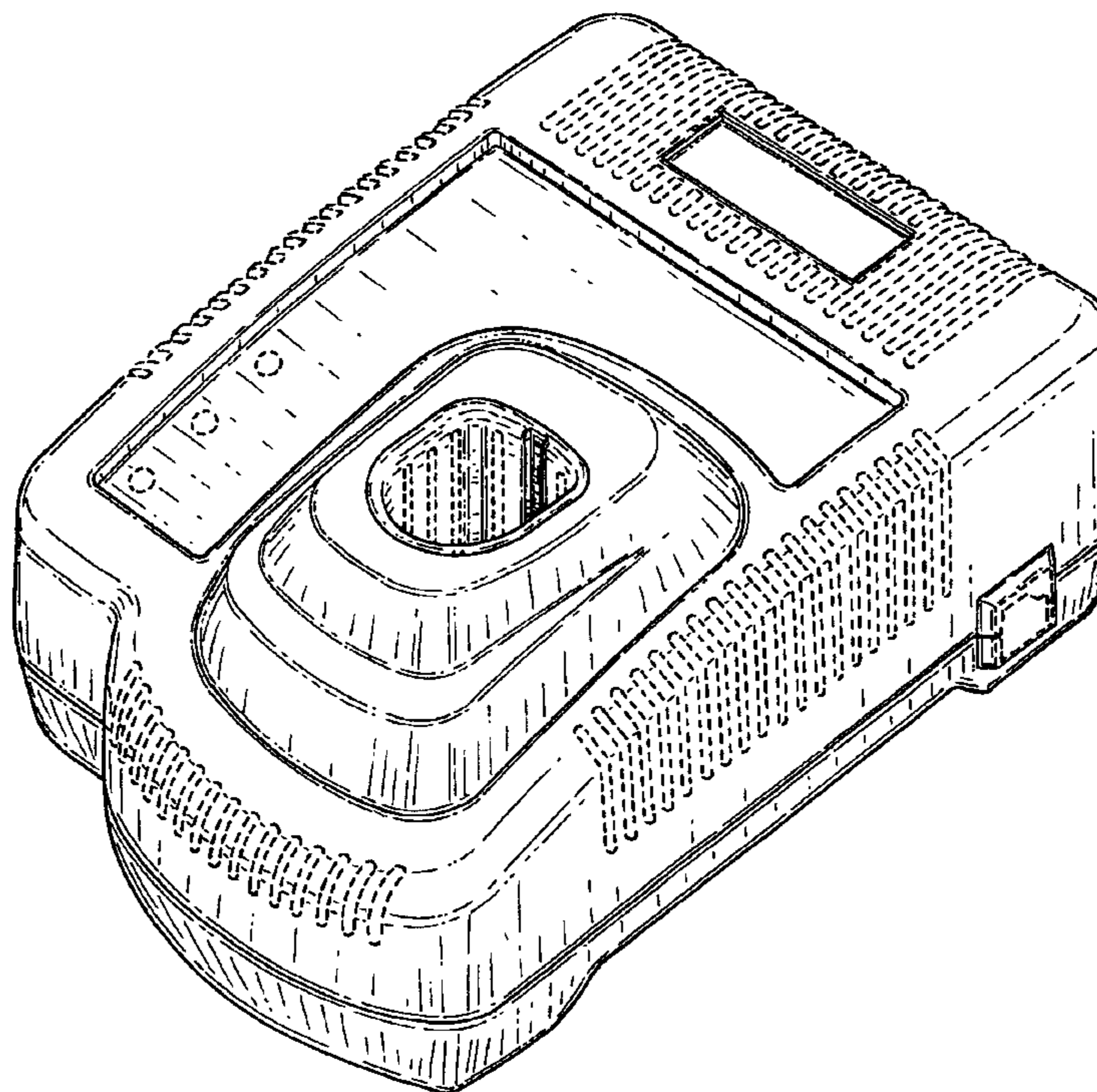
FIG. 5 is a rear view thereof;

FIG. 6 is a first side view thereof; and,

FIG. 7 is a second side view thereof.

The ornamental design which is claimed is shown in solid lines in the drawings. Any broken lines in the drawings are for illustrative purposes only and form no part of the claimed design.

1 Claim, 6 Drawing Sheets



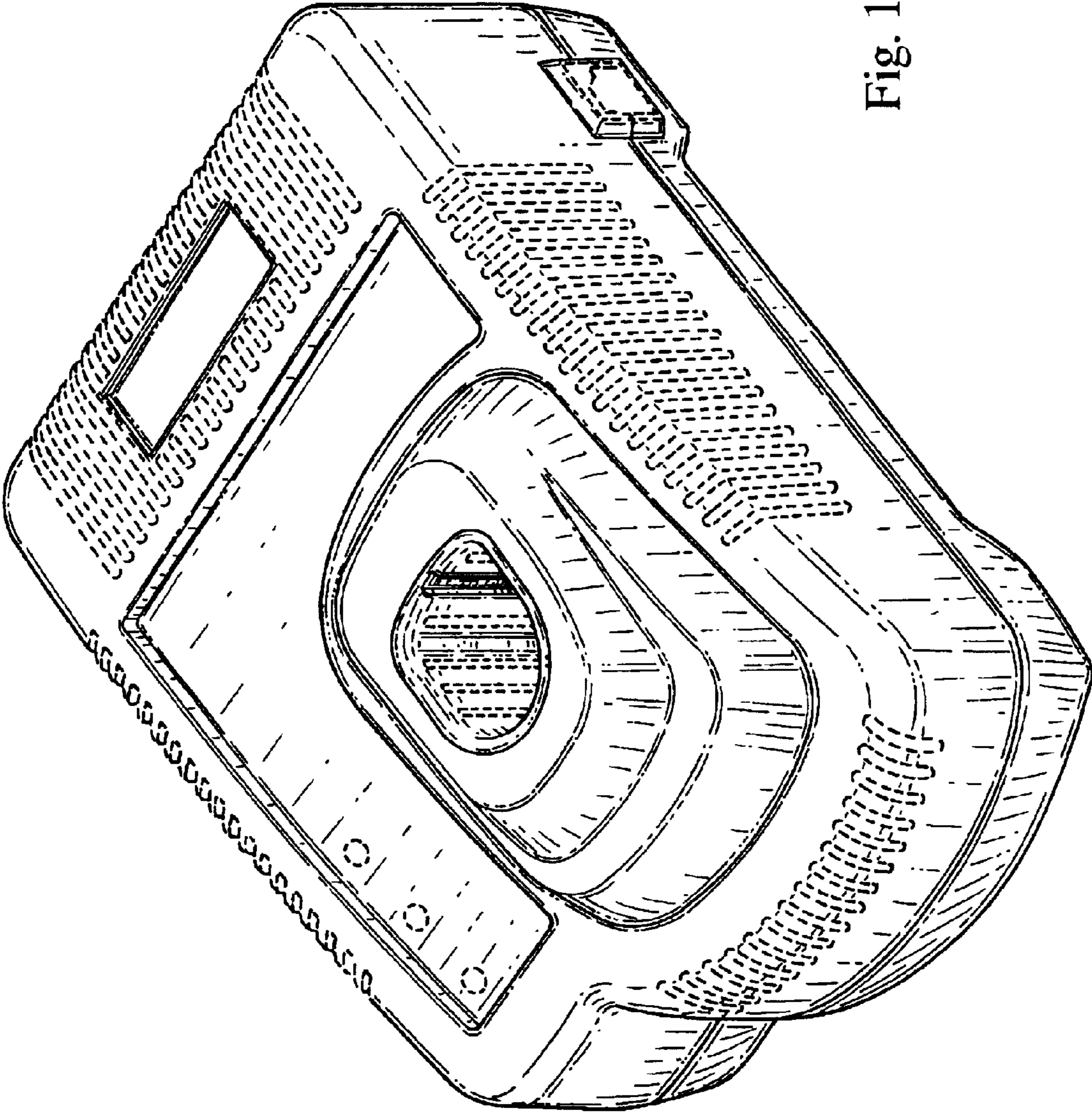


Fig. 1

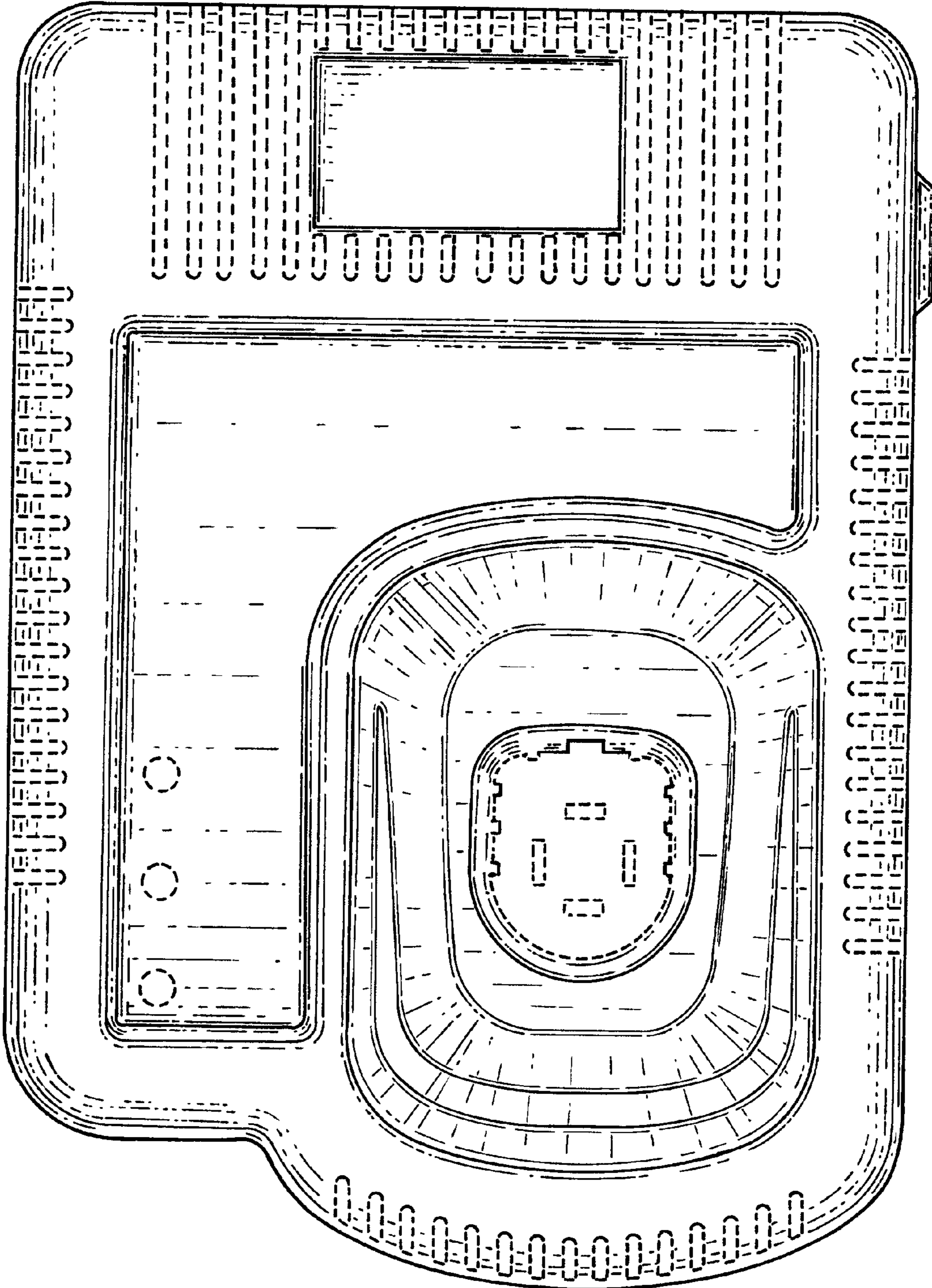


Fig. 2

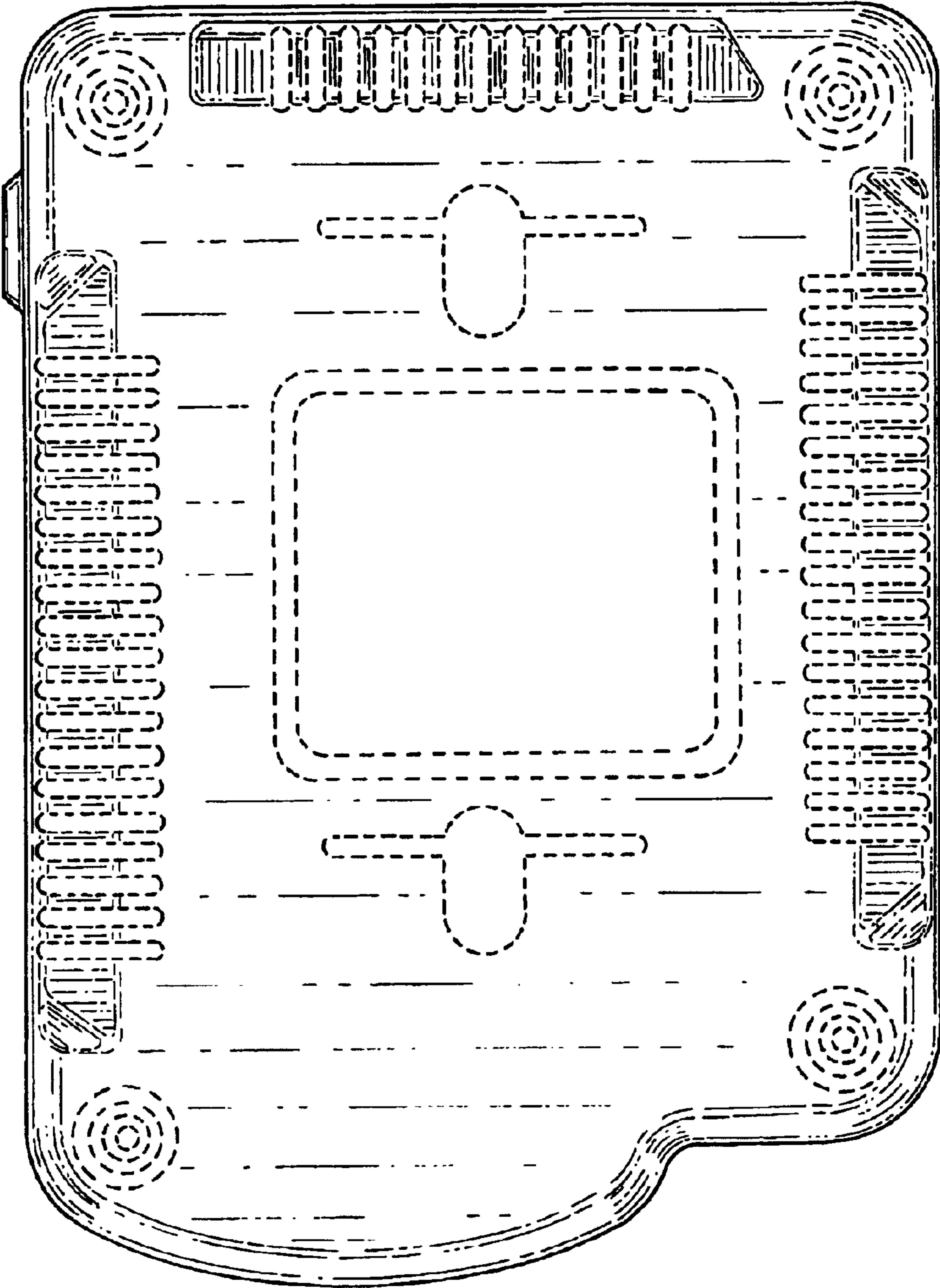


Fig. 3

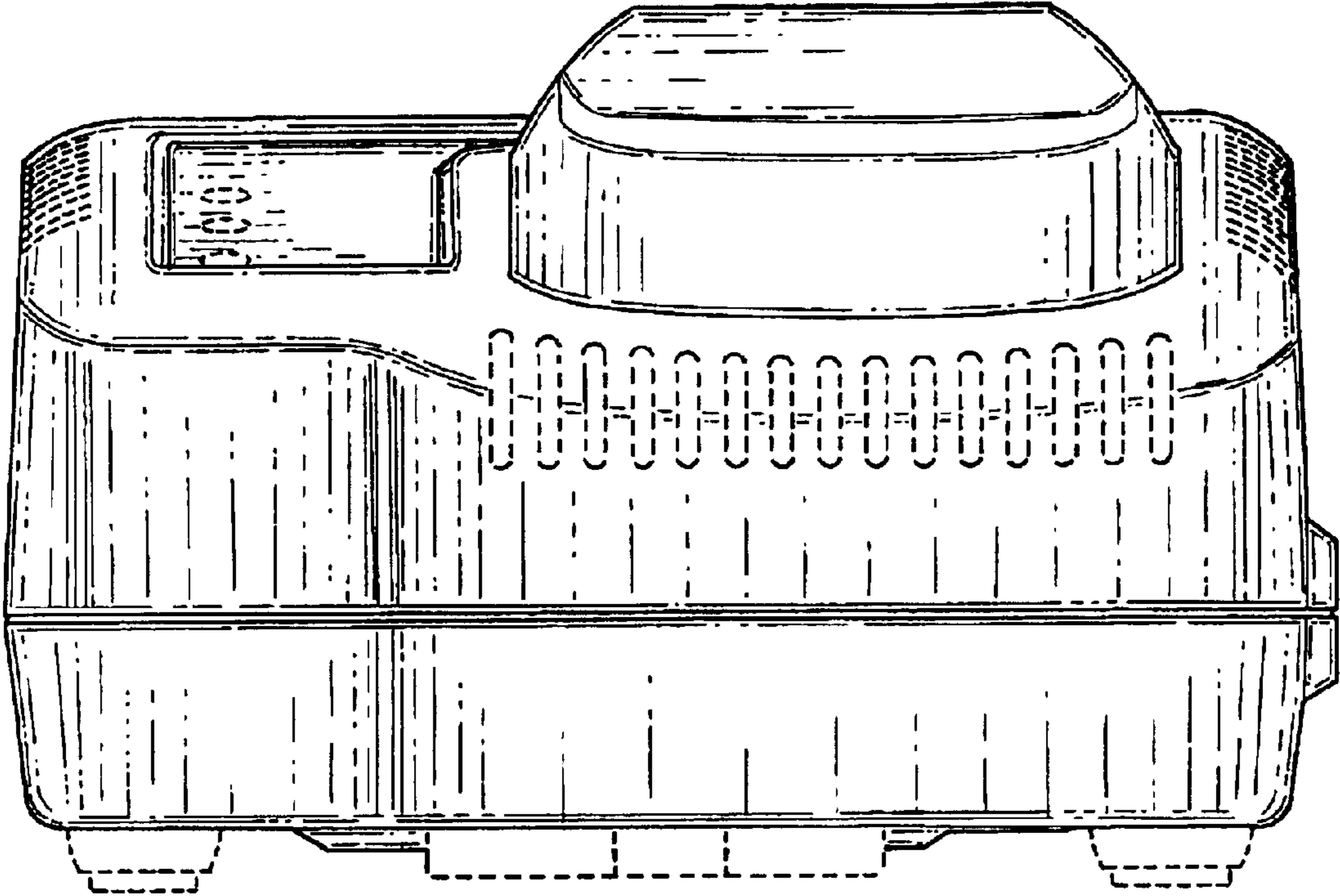


Fig. 4

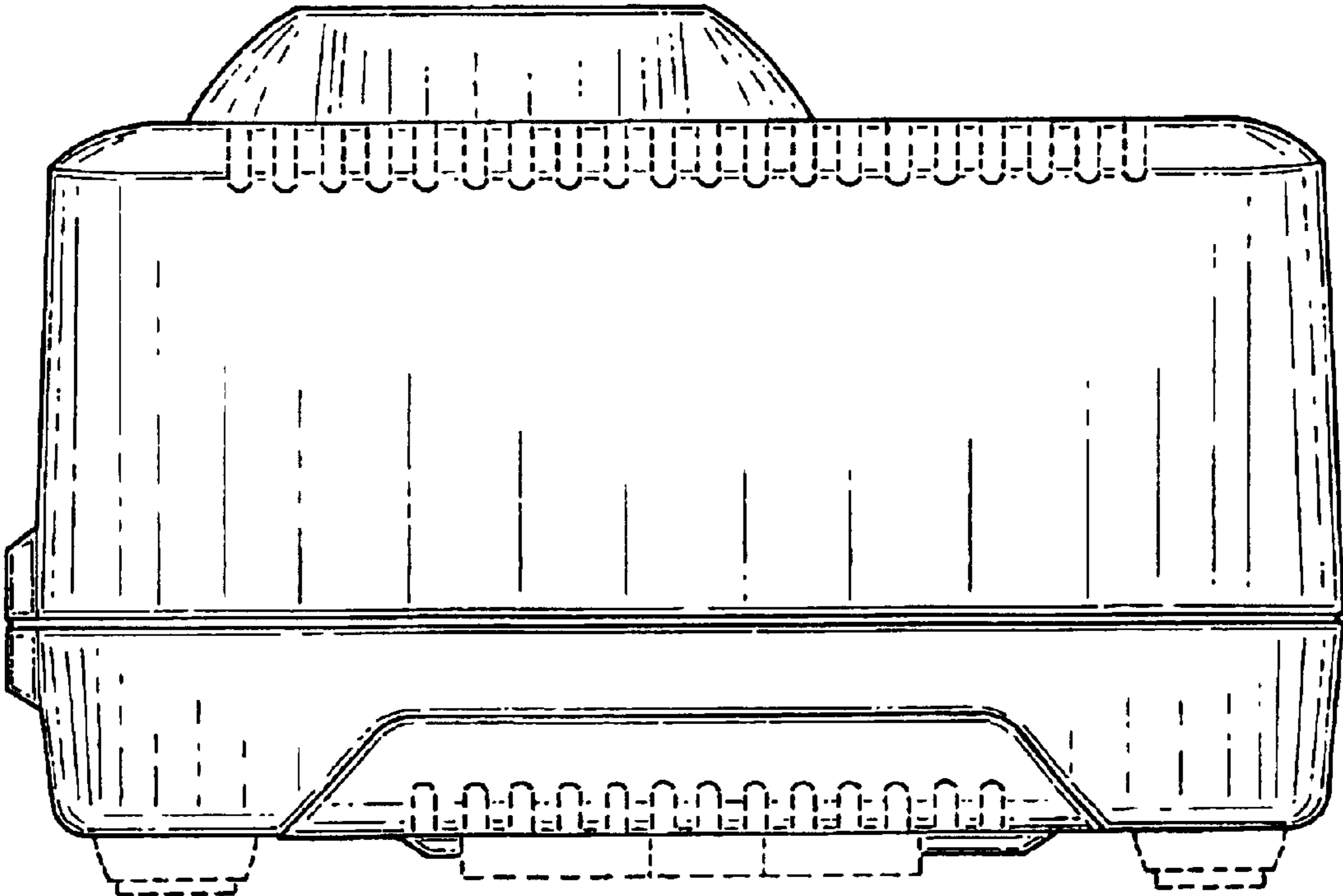


Fig. 5

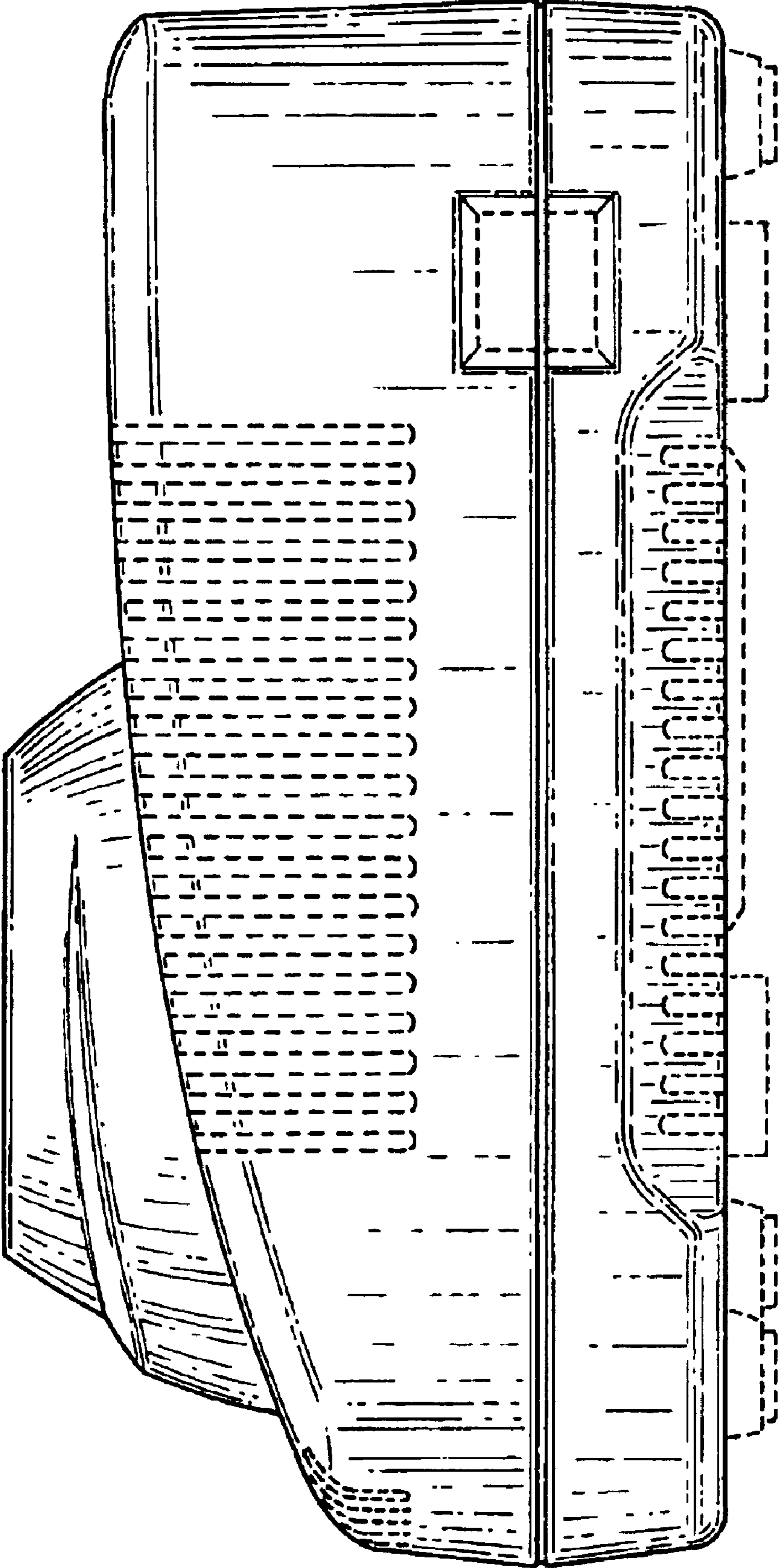


Fig. 6

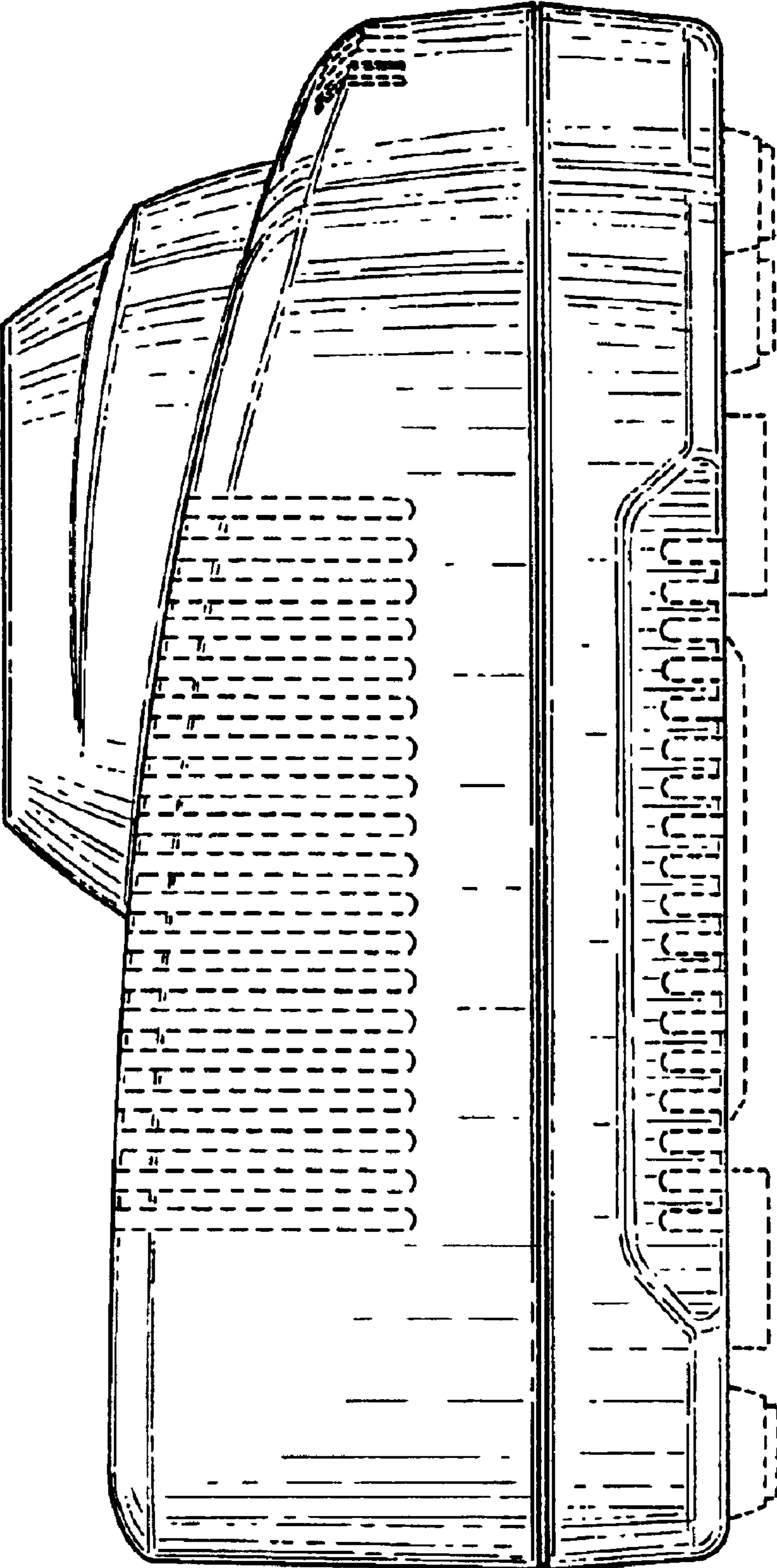


Fig. 7