



US00D514496S

(12) **United States Design Patent**  
**Neeper**

(10) **Patent No.:** **US D514,496 S**

(45) **Date of Patent:** **\*\* Feb. 7, 2006**

- (54) **VEHICLE-WHEEL FRONT FACE**
- (75) **Inventor:** **Mark D. Neeper**, Denver, CO (US)
- (73) **Assignee:** **Mobile Hi-Tech Wheels**, La Palma, CA (US)
- (\*\*) **Term:** **14 Years**
- (21) **Appl. No.:** **29/228,120**
- (22) **Filed:** **Apr. 20, 2005**
- (51) **LOC (8) Cl.** ..... **12-16**
- (52) **U.S. Cl.** ..... **D12/211**
- (58) **Field of Classification Search** ..... D12/204-213;  
301/37.101, 64.101, 65  
See application file for complete search history.

- D501,817 S \* 2/2005 Pfeiffer ..... D12/211
- D502,438 S \* 3/2005 Weld ..... D12/211
- D504,651 S \* 5/2005 Johnson ..... D12/211
- D505,375 S \* 5/2005 Kushartanto ..... D12/211

\* cited by examiner

*Primary Examiner*—Stacia Cadmus  
(74) *Attorney, Agent, or Firm*—Christie, Parker & Hale, LLP

(57) **CLAIM**

The ornamental design for vehicle-wheel front face, as shown and described.

**DESCRIPTION**

FIG. 1 is a perspective view of a vehicle-wheel front face according to my new design; FIG. 2 is a front elevational view thereof; and, FIG. 3 is a side elevational view thereof. Portions of the wheel depicted in broke line are for illustrative purposes only, and form no part of the claimed design.

(56) **References Cited**

**U.S. PATENT DOCUMENTS**

- D432,484 S \* 10/2000 Chung ..... D12/211
- D480,677 S \* 10/2003 Atwell ..... D12/211
- D492,927 S \* 7/2004 Fitzgerald ..... D12/211
- D497,868 S \* 11/2004 Lee ..... D12/211

**1 Claim, 3 Drawing Sheets**

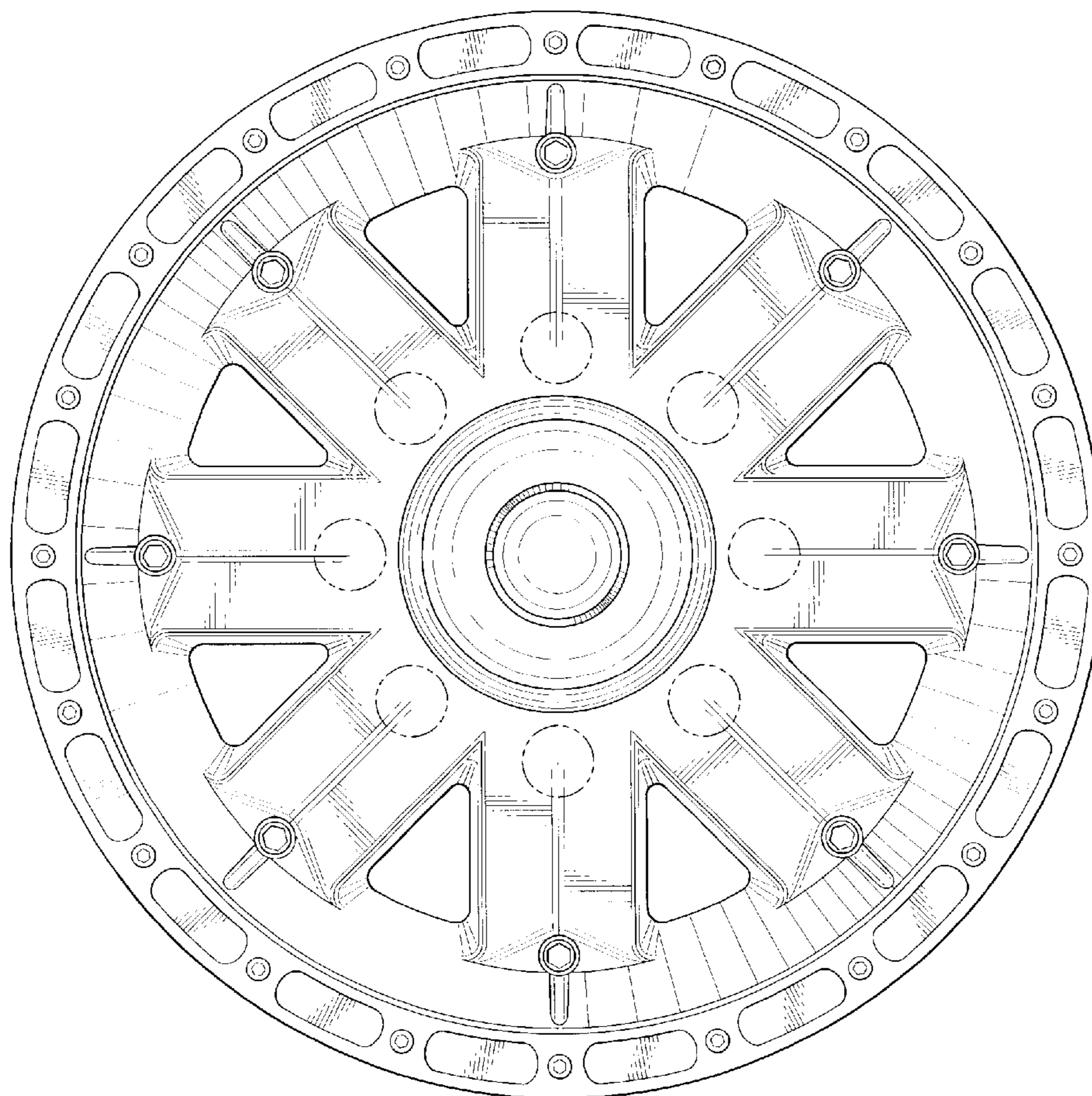
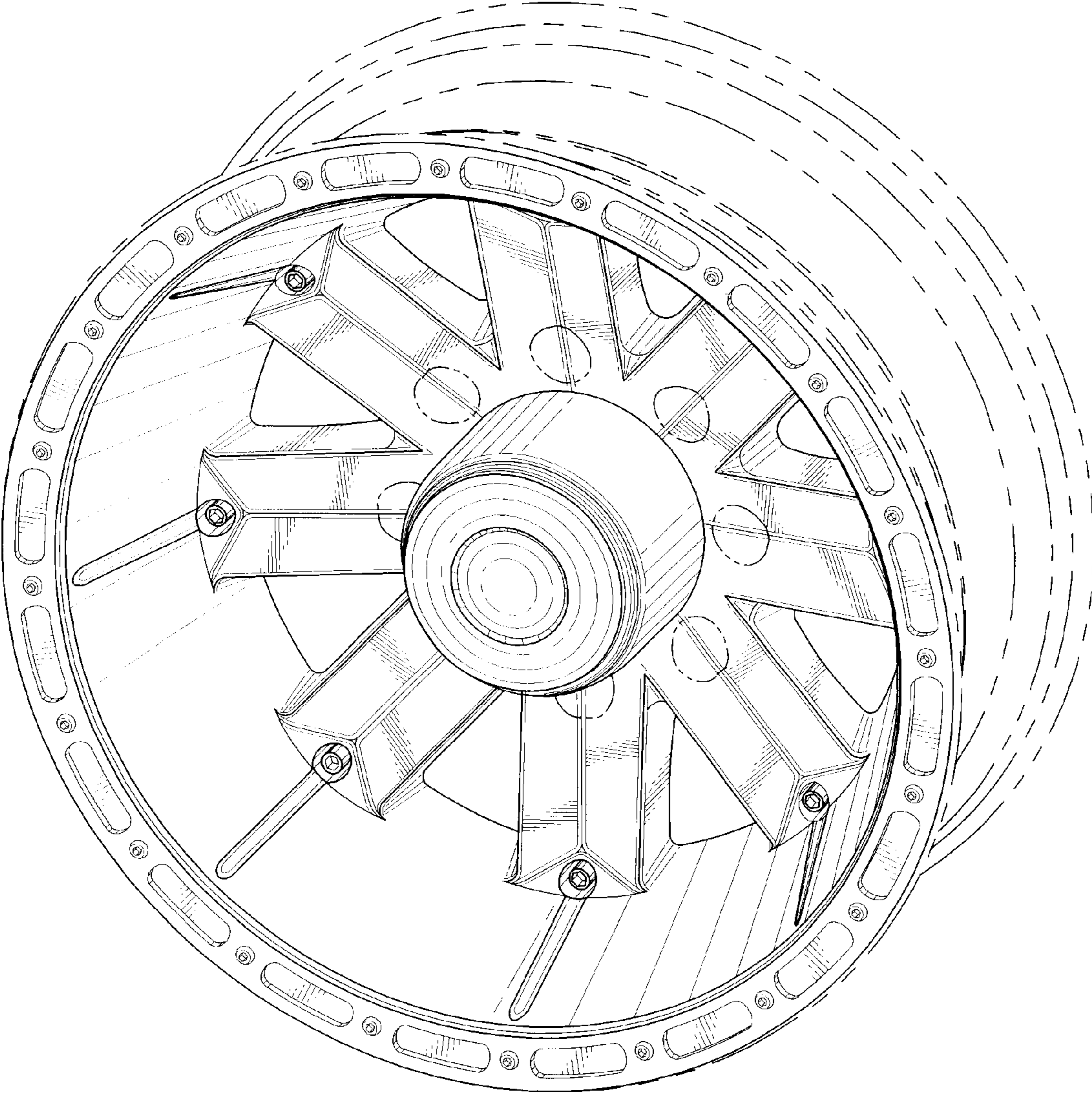
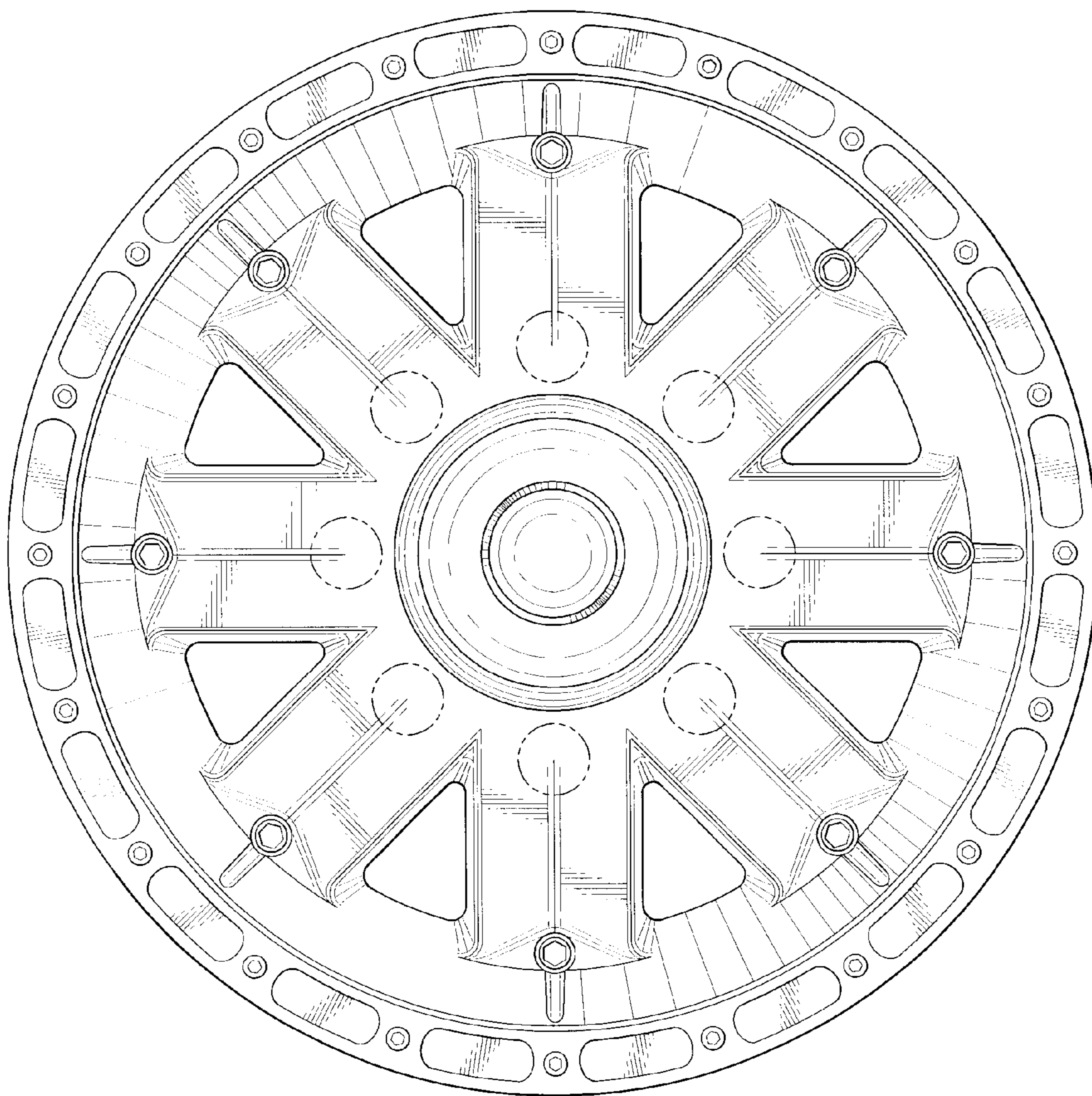


FIG. 1



*FIG. 2*



*FIG. 3*

