



US00D514495S

(12) **United States Design Patent**
Hieke

(10) **Patent No.:** **US D514,495 S**

(45) **Date of Patent:** **** Feb. 7, 2006**

(54) **FRONT FACE OF A VEHICLE WHEEL**

(75) **Inventor:** **Claus Hieke, Sindelfingen (DE)**

(73) **Assignee:** **DaimlerChrysler, Stuttgart (DE)**

(**) **Term:** **14 Years**

(21) **Appl. No.:** **29/220,600**

(22) **Filed:** **Jan. 4, 2005**

(30) **Foreign Application Priority Data**

Jul. 7, 2004 (DE) 4 04 03 902

(51) **LOC (8) Cl.** **12-16**

(52) **U.S. Cl.** **D12/211**

(58) **Field of Classification Search** D12/204-213;
301/37.101, 64.101, 65

See application file for complete search history.

(56) **References Cited**

U.S. PATENT DOCUMENTS

D423,441 S	*	4/2000	Bildhaeuser	D12/209
D431,807 S	*	10/2000	Fitzgerald	D12/211
D432,970 S	*	10/2000	Pfeiffer et al.	D12/209
D452,838 S	*	1/2002	Hieke	D12/209
D454,530 S	*	3/2002	Hieke	D12/211
D454,825 S	*	3/2002	Amatino	D12/211

D458,208 S	*	6/2002	Hartl	D12/211
D461,756 S	*	8/2002	Hieke	D12/211
D462,309 S	*	9/2002	Hieke	D12/211
D480,037 S	*	9/2003	Takechi	D12/211
D500,724 S	*	1/2005	Hong	D12/211
D502,680 S	*	3/2005	Frizzi	D12/211

* cited by examiner

Primary Examiner—Stacia Cadmus

(74) *Attorney, Agent, or Firm*—Crowell & Moring LLP

(57) **CLAIM**

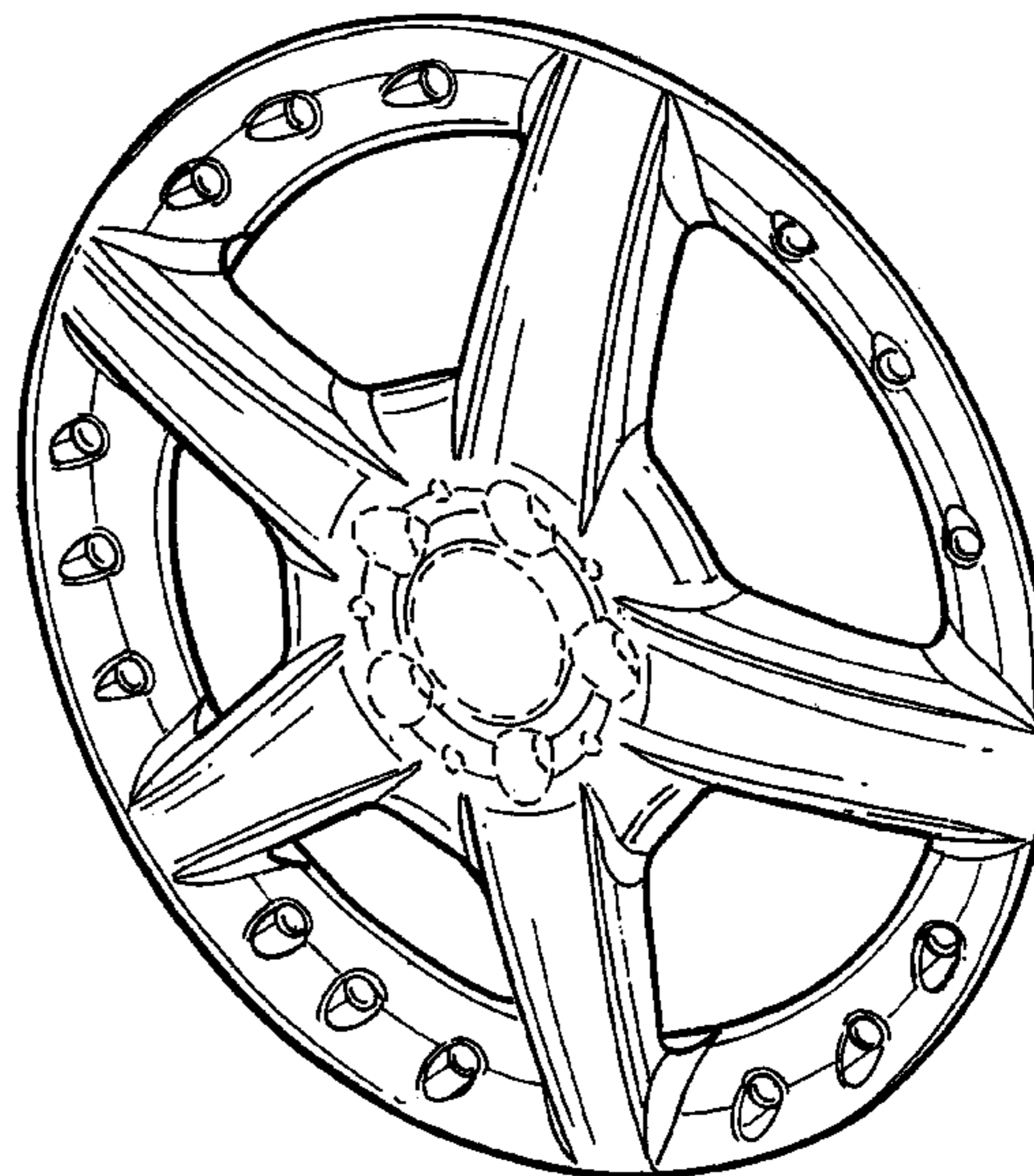
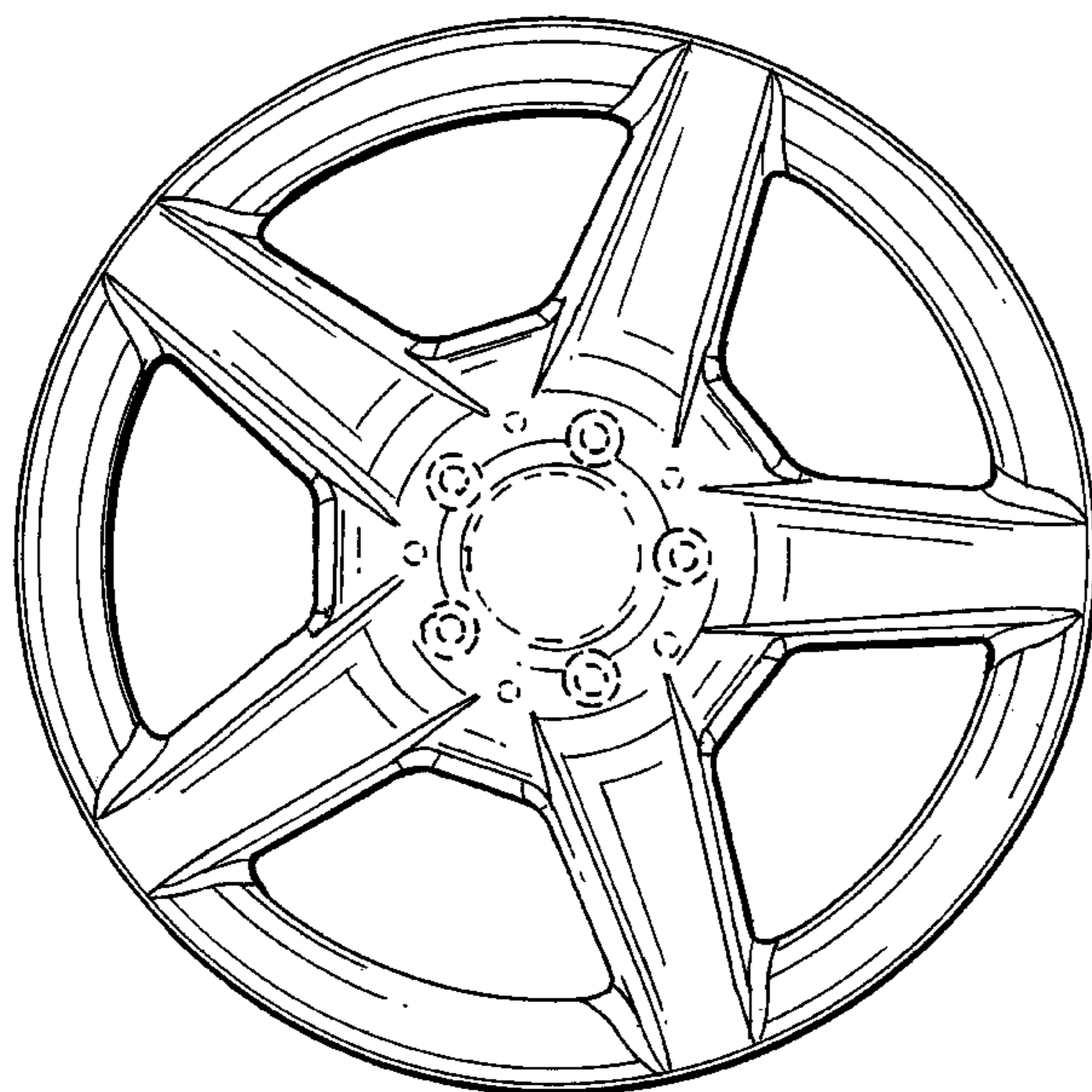
The ornamental design for a front face of a vehicle wheel, as shown and described.

DESCRIPTION

FIG. 1 is a front view of a first embodiment of a front face of a vehicle wheel according to my novel design; FIG. 2 is a perspective view of the first embodiment of the front face of a vehicle wheel according to my novel design; FIG. 3 is a front view of a second embodiment of the front face of a vehicle wheel according to my novel design; and, FIG. 4 is a perspective view of the second embodiment of the front face of a vehicle wheel according to my novel design.

The broken lines are for illustrative purposes only and form no part of the claimed design.

1 Claim, 2 Drawing Sheets



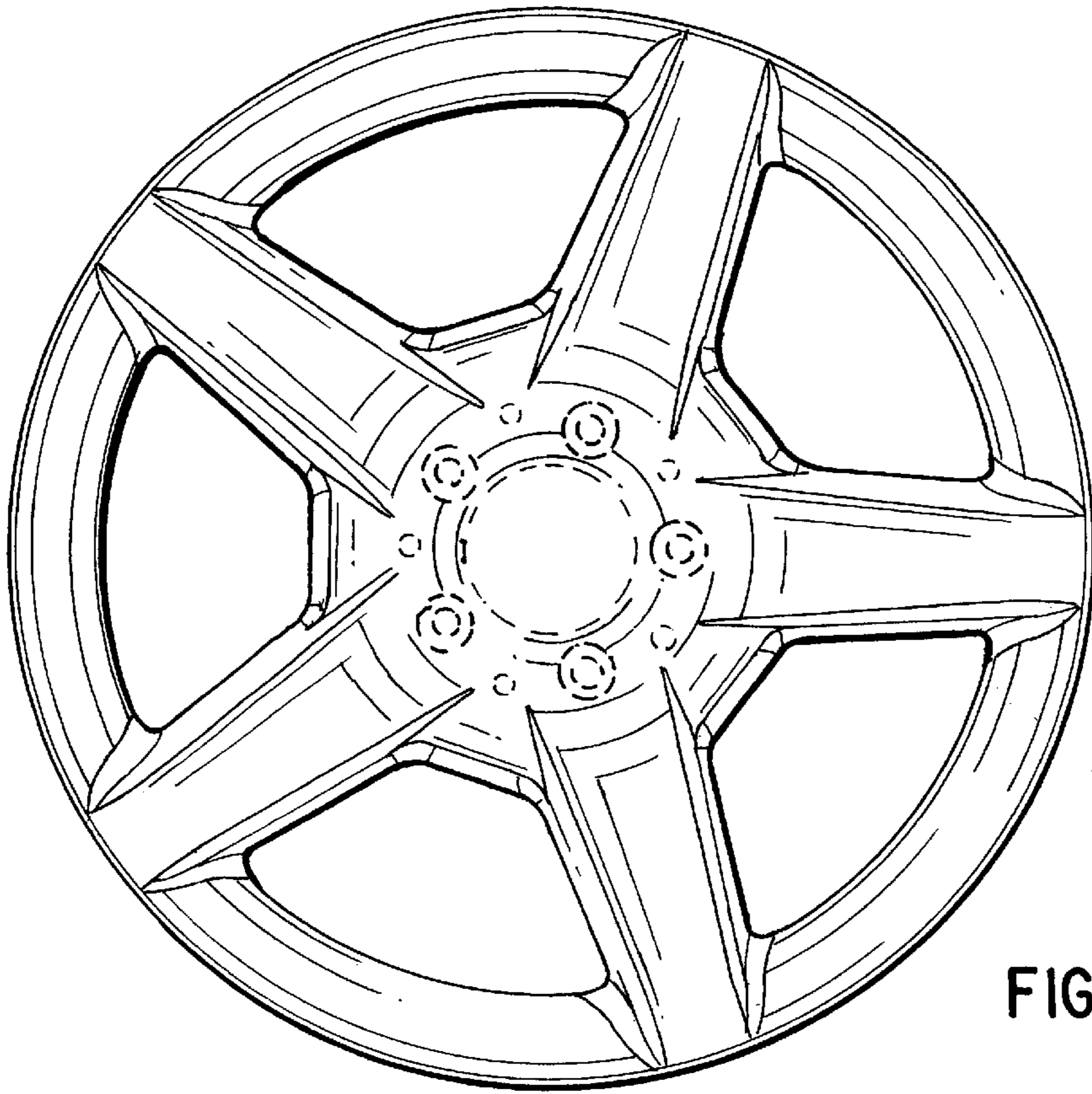


FIG. 1

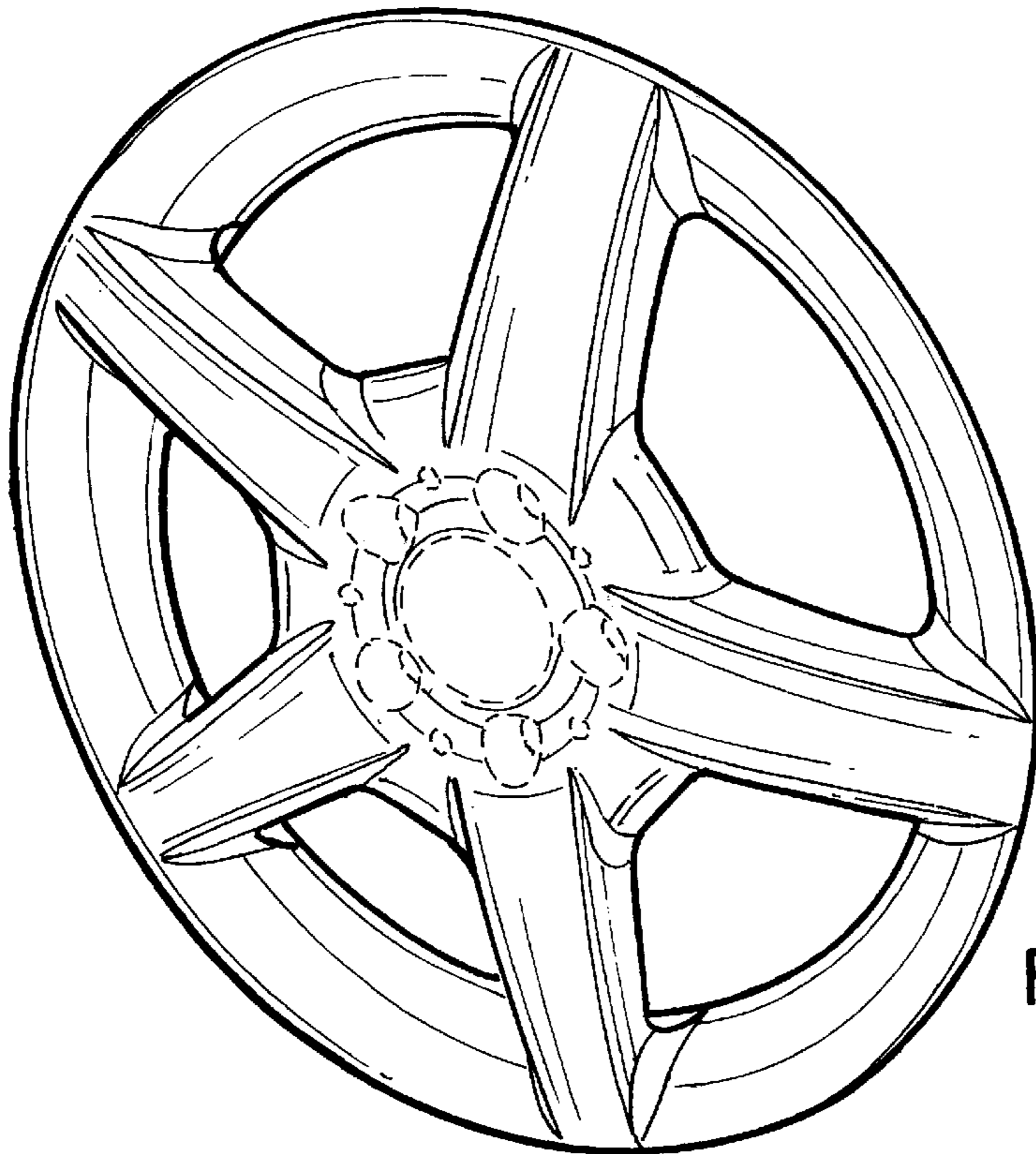


FIG. 2

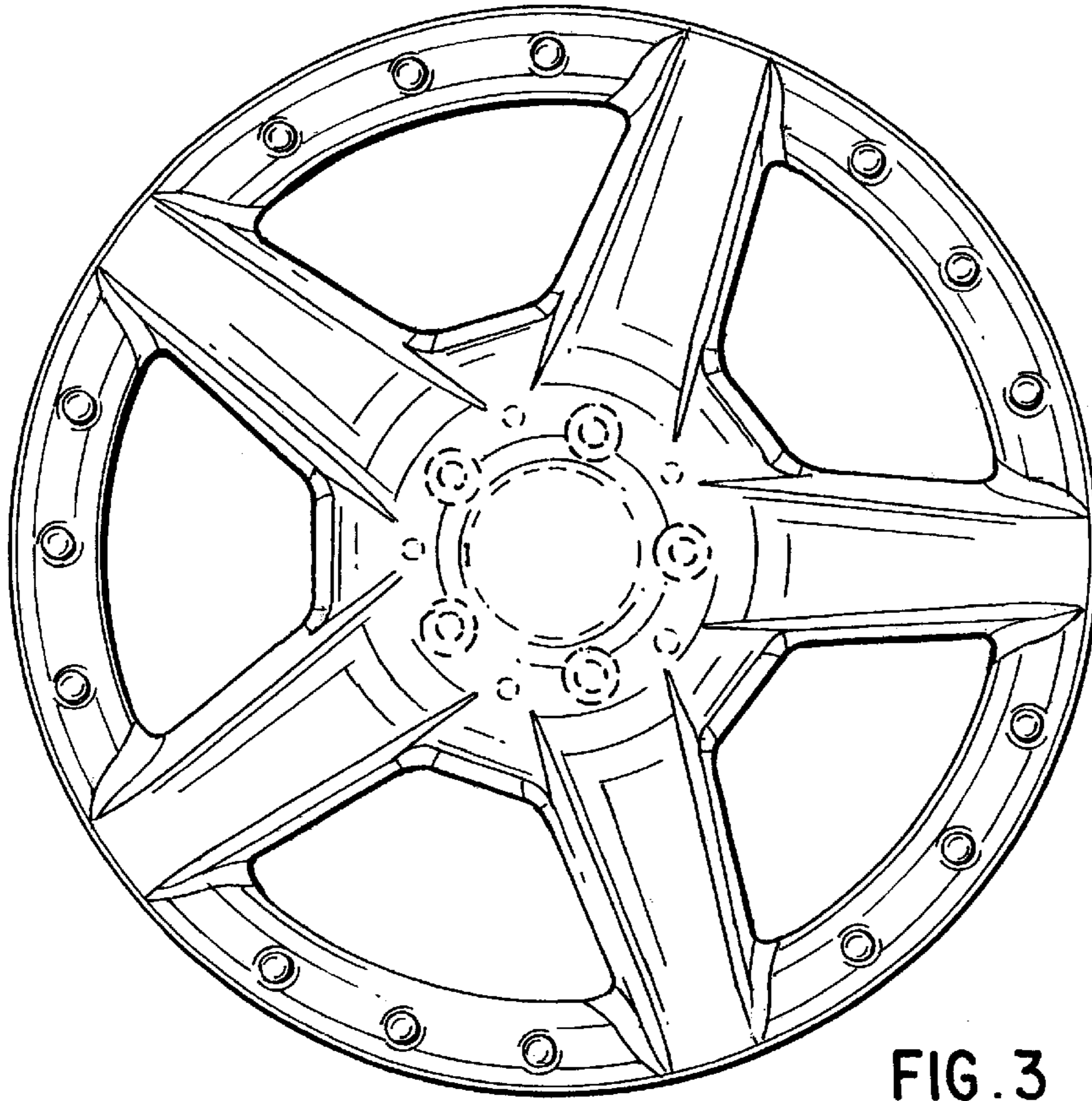


FIG. 3

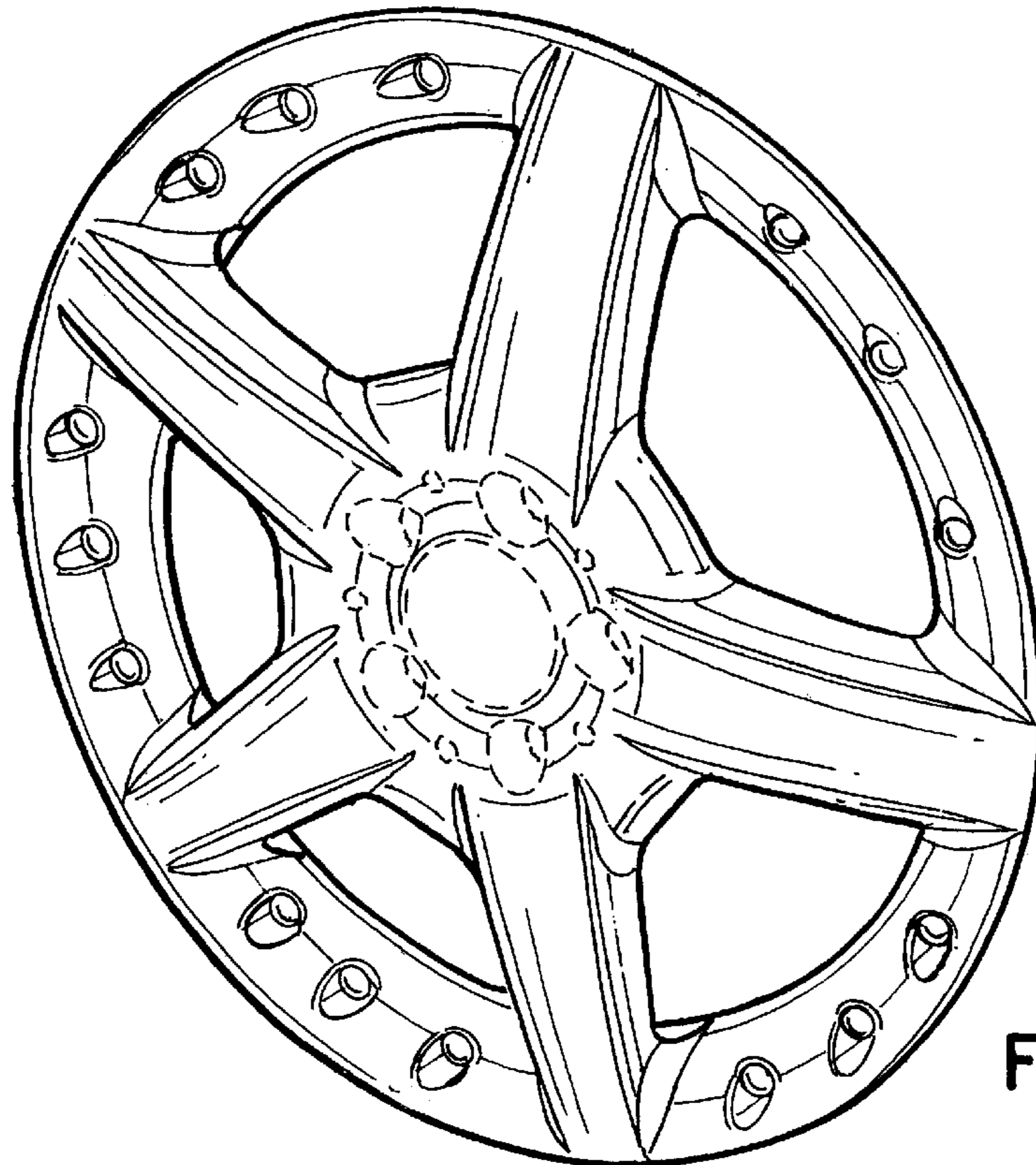


FIG. 4