



US00D514494S

(12) **United States Design Patent**  
**Scheu**

(10) **Patent No.:** **US D514,494 S**

(45) **Date of Patent:** **\*\* Feb. 7, 2006**

(54) **FRONT FACE OF A VEHICLE WHEEL**

(75) **Inventor:** **Armin Scheu, Stuttgart (DE)**

(73) **Assignee:** **DaimlerChrysler, Stuttgart (DE)**

(\*\*) **Term:** **14 Years**

(21) **Appl. No.:** **29/222,010**

(22) **Filed:** **Jan. 26, 2005**

(30) **Foreign Application Priority Data**

Aug. 3, 2004 (DE) ..... 40404405

(51) **LOC (8) Cl.** ..... **12-16**

(52) **U.S. Cl.** ..... **D12/209**

(58) **Field of Classification Search** ..... D12/204-213;  
301/37.101, 64.101, 65

See application file for complete search history.

(56) **References Cited**

**U.S. PATENT DOCUMENTS**

- D384,022 S \* 9/1997 Hatter ..... D12/209
- D409,546 S \* 5/1999 Stark ..... D12/209
- D428,377 S \* 7/2000 Kubosaki et al. .... D12/209
- D430,841 S \* 9/2000 Tanghetti ..... D12/209
- D445,749 S \* 7/2001 Kuninari et al. .... D12/209
- D451,062 S \* 11/2001 Yoshida ..... D12/209

- D451,065 S \* 11/2001 Braun ..... D12/211
- D472,509 S \* 4/2003 Laengerer ..... D12/209
- D499,058 S \* 11/2004 Iwauchi et al. .... D12/209
- D502,909 S \* 3/2005 Pfeiffer ..... D12/211
- D504,096 S \* 4/2005 Nakagawa et al. .... D12/209

\* cited by examiner

*Primary Examiner*—Stacia Cadmus

(74) *Attorney, Agent, or Firm*—Crowell & Moring LLP

(57) **CLAIM**

The ornamental design for a front face of a vehicle wheel, as shown and described.

**DESCRIPTION**

FIG. 1 is a front view of a first embodiment of a front face of a vehicle wheel according to my novel design;

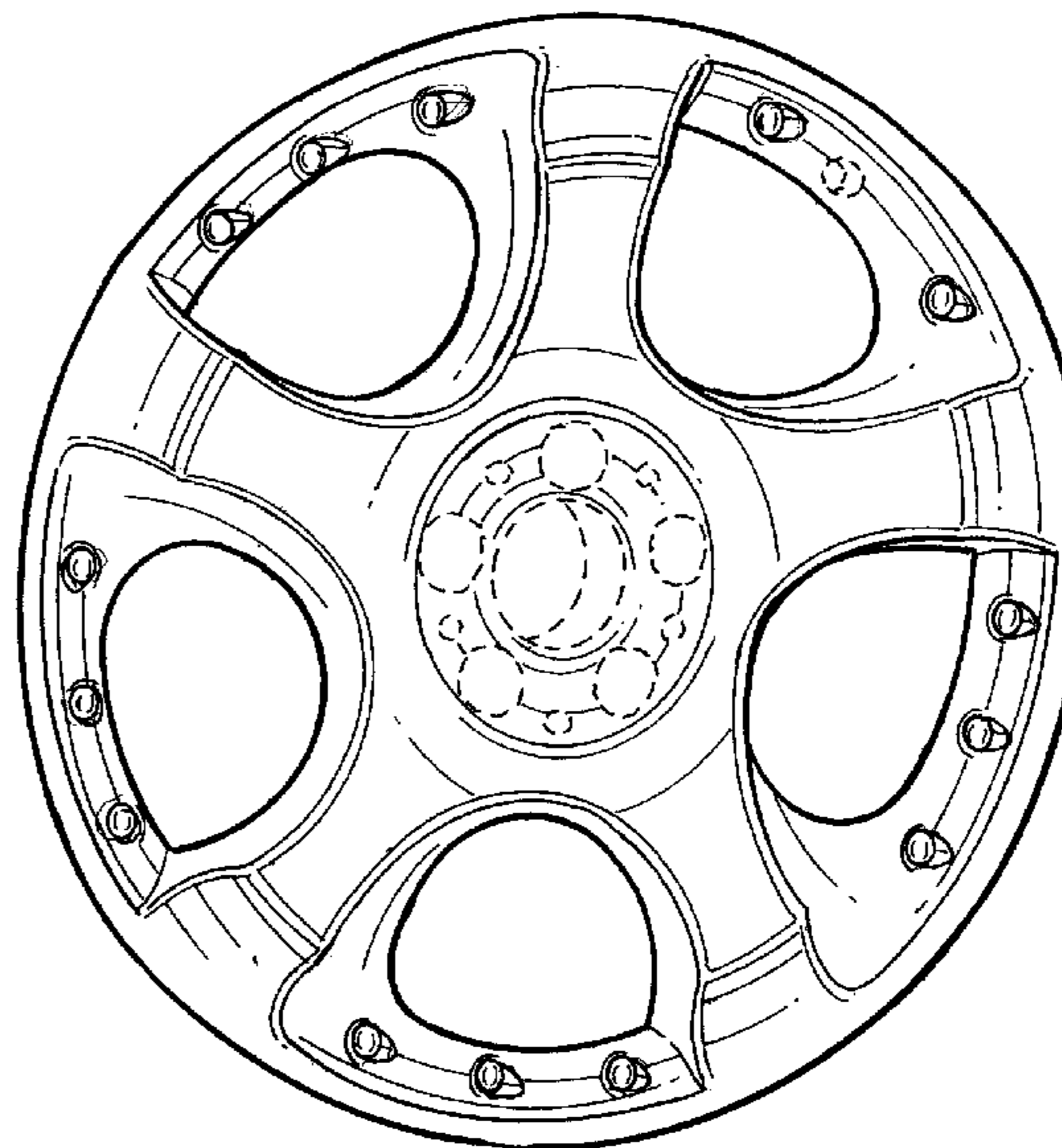
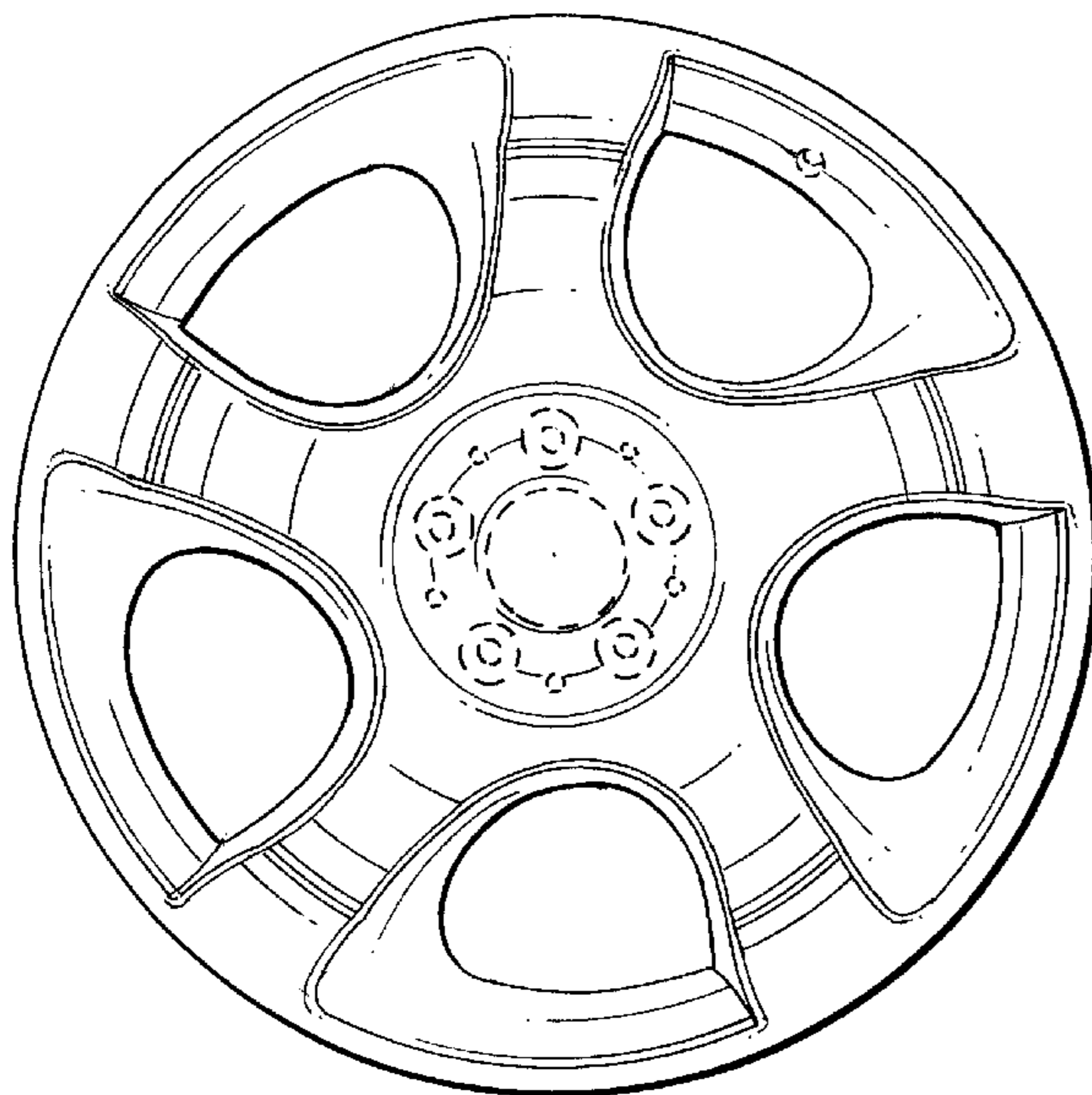
FIG. 2 is a perspective view of the first embodiment of the front face of a vehicle wheel according to my novel design;

FIG. 3 is a front view of a second embodiment of the front face of a vehicle wheel according to my novel design; and,

FIG. 4 is a perspective view of the second embodiment of the front face of a vehicle wheel according to my novel design.

The broken lines are for illustrative purposes only and form no part of the claimed design.

**1 Claim, 2 Drawing Sheets**



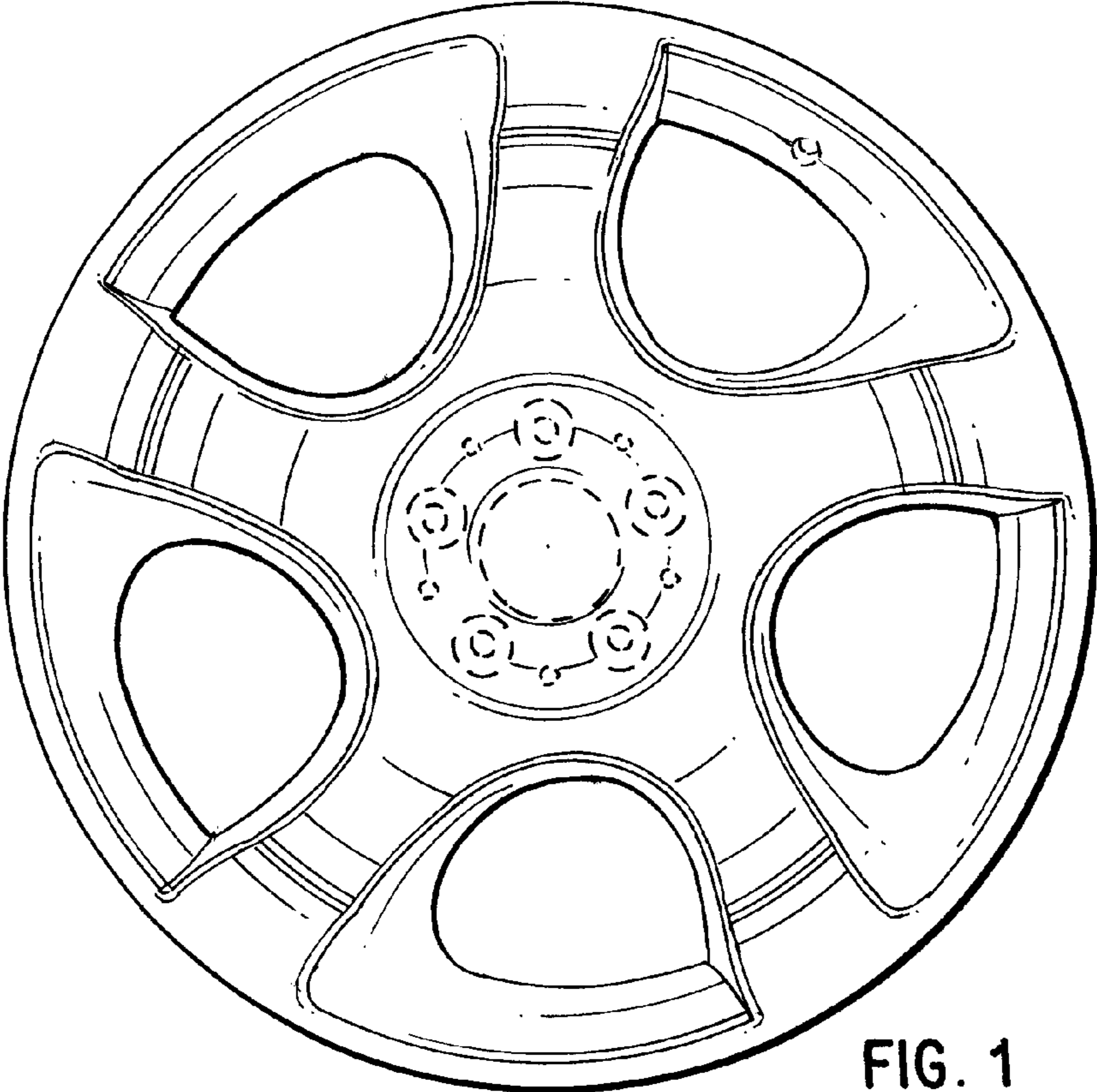


FIG. 1

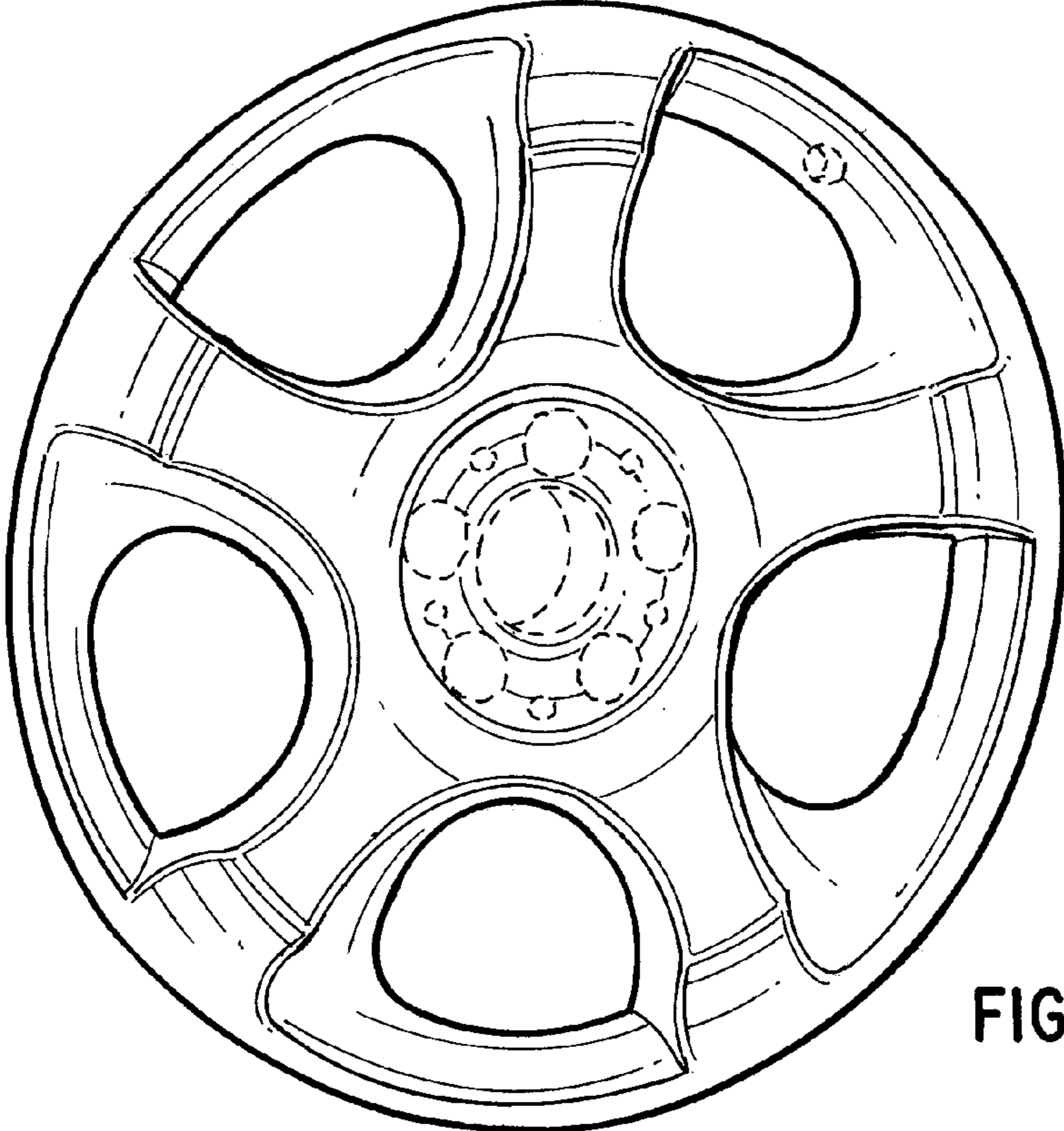


FIG. 2



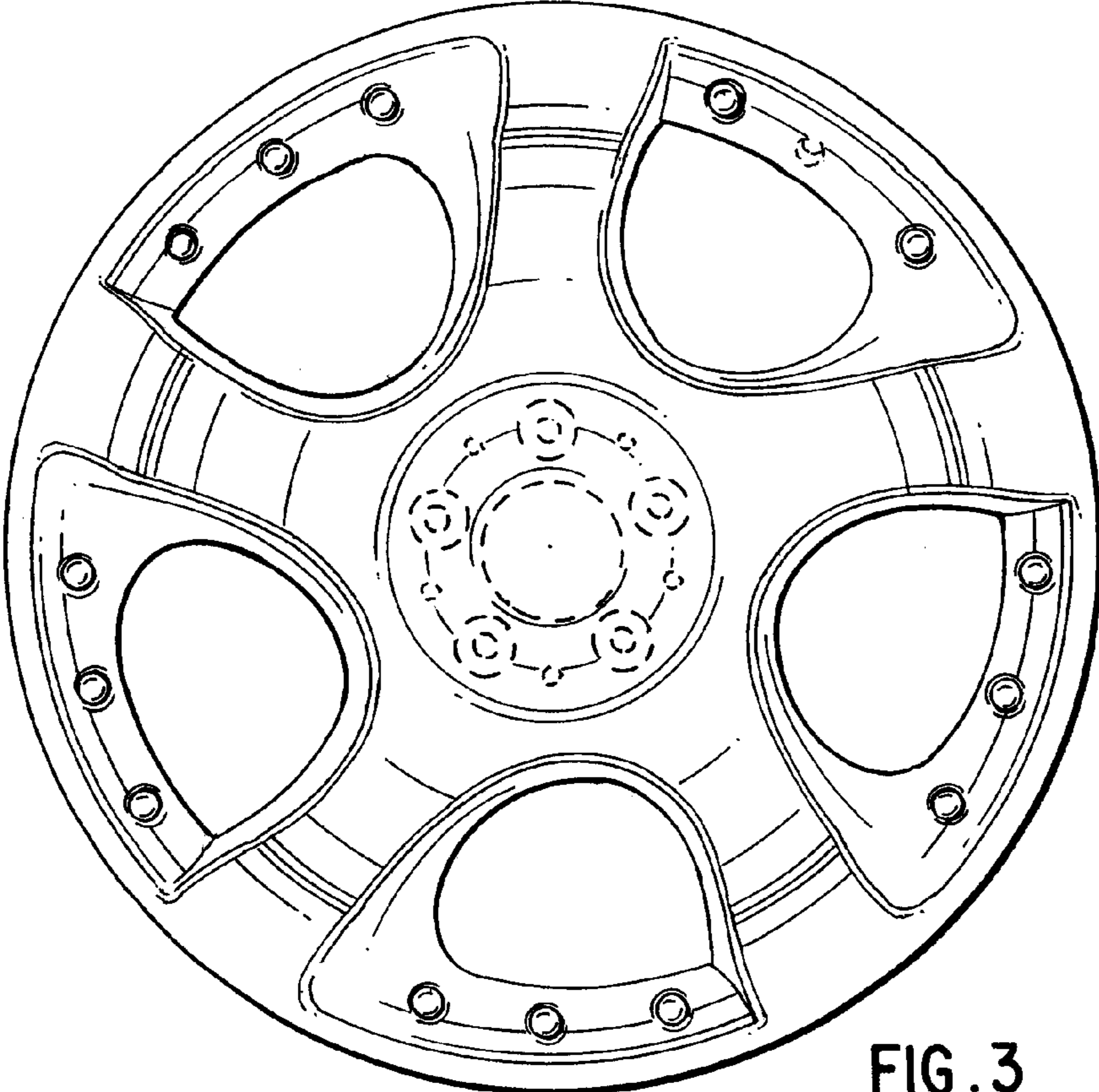


FIG. 3

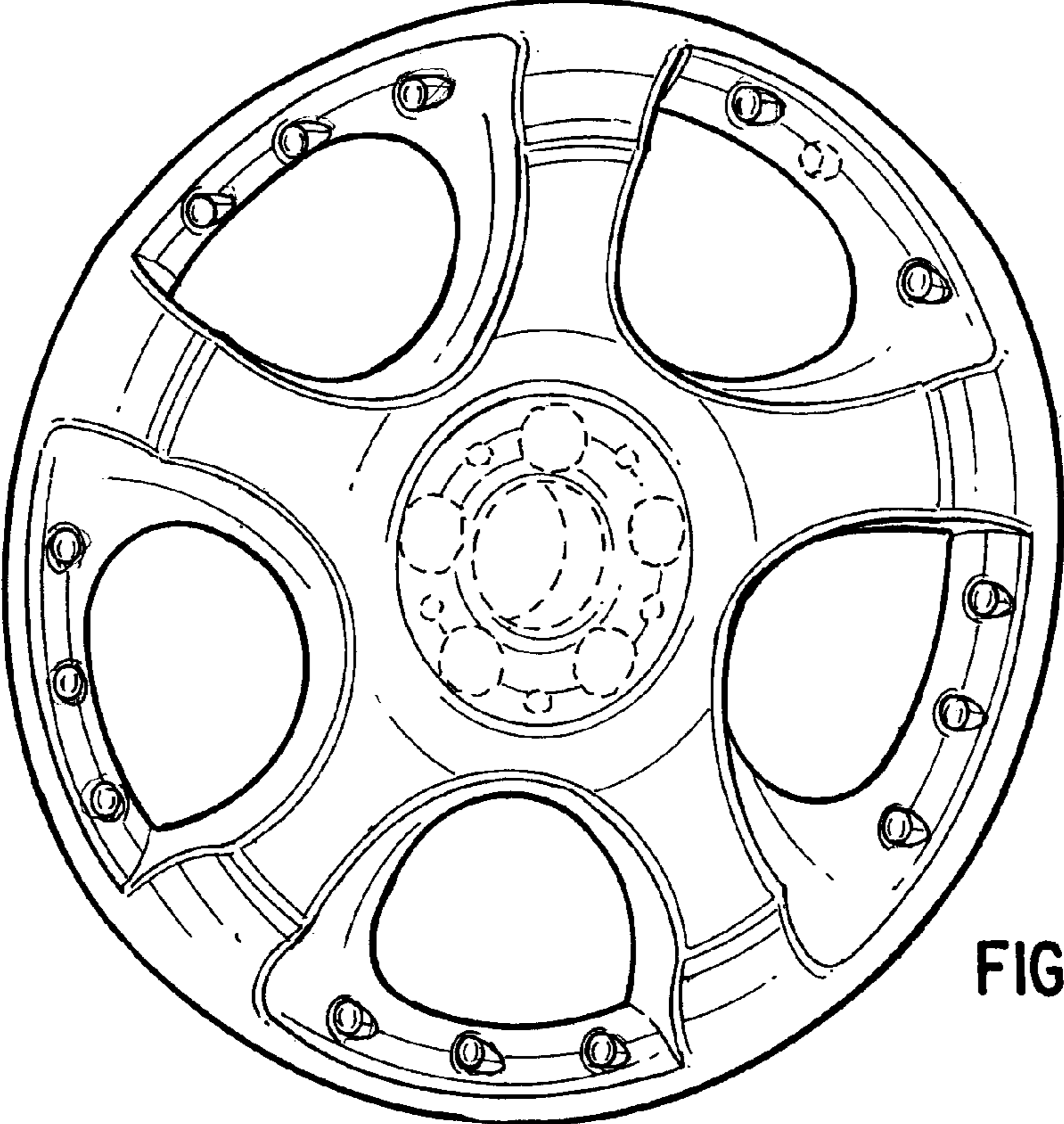


FIG. 4