



US00D514479S

(12) **United States Design Patent**  
**Wang**

(10) **Patent No.:** **US D514,479 S**  
(45) **Date of Patent:** **\*\* Feb. 7, 2006**

(54) **TRAILER HITCH-COVER HAVING A SPINNER SURROUNDED BY A TIRE**  
(76) **Inventor:** **Calvin Wang**, 768 S. Turnbull Canyon Rd., City of Industry, CA (US) 91745  
(\*\*) **Term:** **14 Years**

D475,328 S \* 6/2003 Murguia ..... D12/162  
D479,165 S \* 9/2003 Holm et al. .... D12/162  
D479,820 S \* 9/2003 Holm et al. .... D12/162  
D485,218 S \* 1/2004 Bentley ..... D12/162  
D493,751 S \* 8/2004 Brabant et al. .... D12/162  
D497,584 S \* 10/2004 Smith et al. .... D12/209

\* cited by examiner

(21) **Appl. No.:** **29/227,696**  
(22) **Filed:** **Apr. 15, 2005**

*Primary Examiner*—Stacia Cadmus  
(74) *Attorney, Agent, or Firm*—Albert O. Cota

(51) **LOC (8) Cl.** ..... **12-16**  
(52) **U.S. Cl.** ..... **D12/162**  
(58) **Field of Classification Search** ..... D12/162,  
D12/400, 213, 209, 501; 138/89, 89.1–89.4;  
211/14; 293/122; 280/507, 477, 493–495,  
280/415–416.3, 504, 510–513; 40/200, 209,  
40/591

(57) **CLAIM**

The ornamental design for a trailer hitch-cover having a spinner surrounded by a tire, as shown and described.

See application file for complete search history.

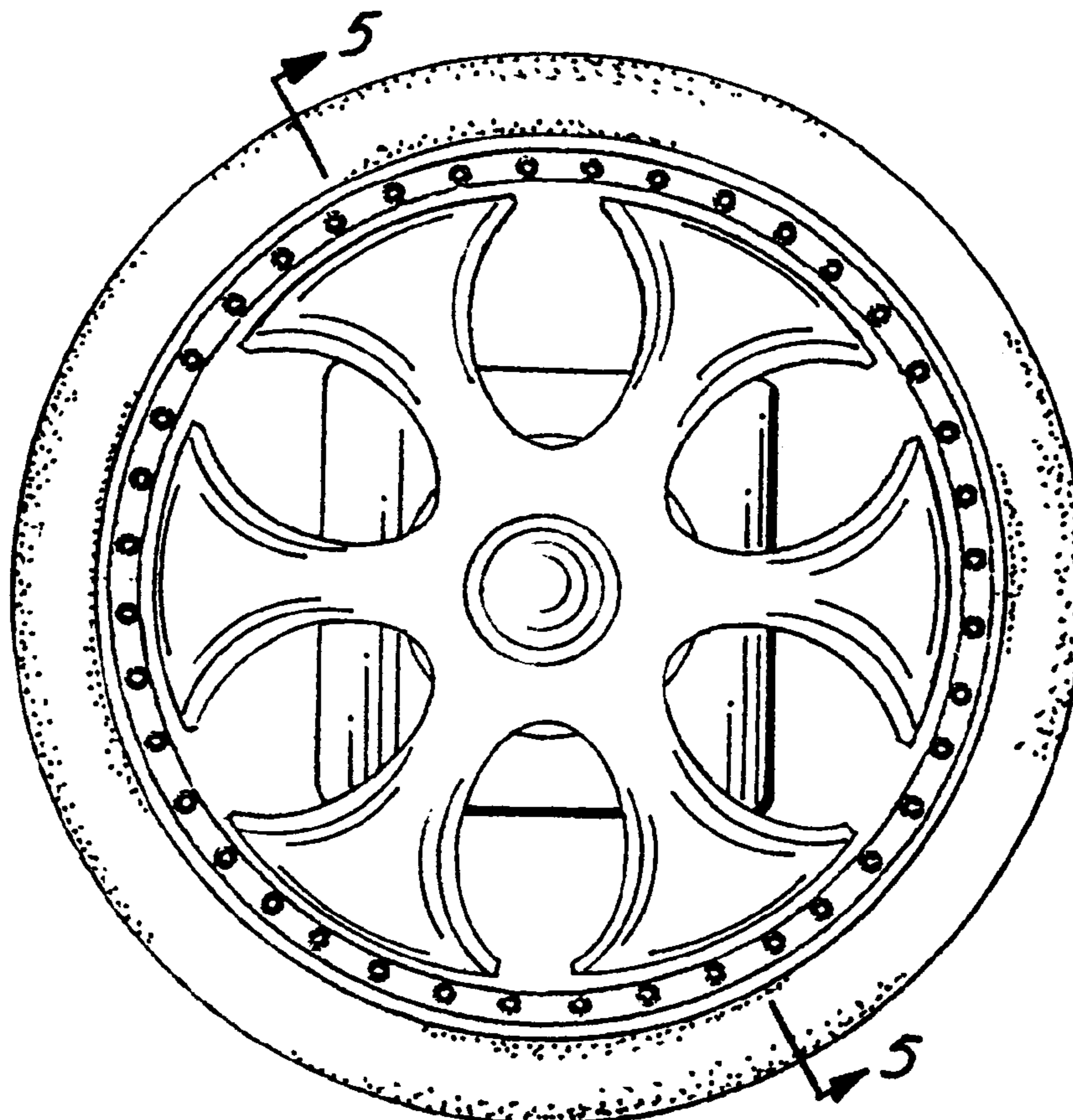
**DESCRIPTION**

FIG. 1 is a front elevational view of a trailer hitch-cover having a spinner surrounded by a tire showing my new design;  
FIG. 2 is a rear elevational view thereof;  
FIG. 3 is a top plan view thereof, the bottom plan view being a mirror image thereof;  
FIG. 4 is a right side elevational view thereof, the left side elevational view being a mirror image; and,  
FIG. 5 is a cross-sectional view taken along the lines 5–5 of FIG. 1.

(56) **References Cited**  
**U.S. PATENT DOCUMENTS**

D401,194 S \* 11/1998 Harwood ..... D12/162  
D452,205 S \* 12/2001 Eisenbraun ..... D12/162  
D456,321 S \* 4/2002 Sammons et al. .... D12/162  
D464,295 S \* 10/2002 Bonzer ..... D12/162  
D467,857 S \* 12/2002 Chung ..... D12/209  
D471,500 S \* 3/2003 Kataoka ..... D12/209

**1 Claim, 3 Drawing Sheets**



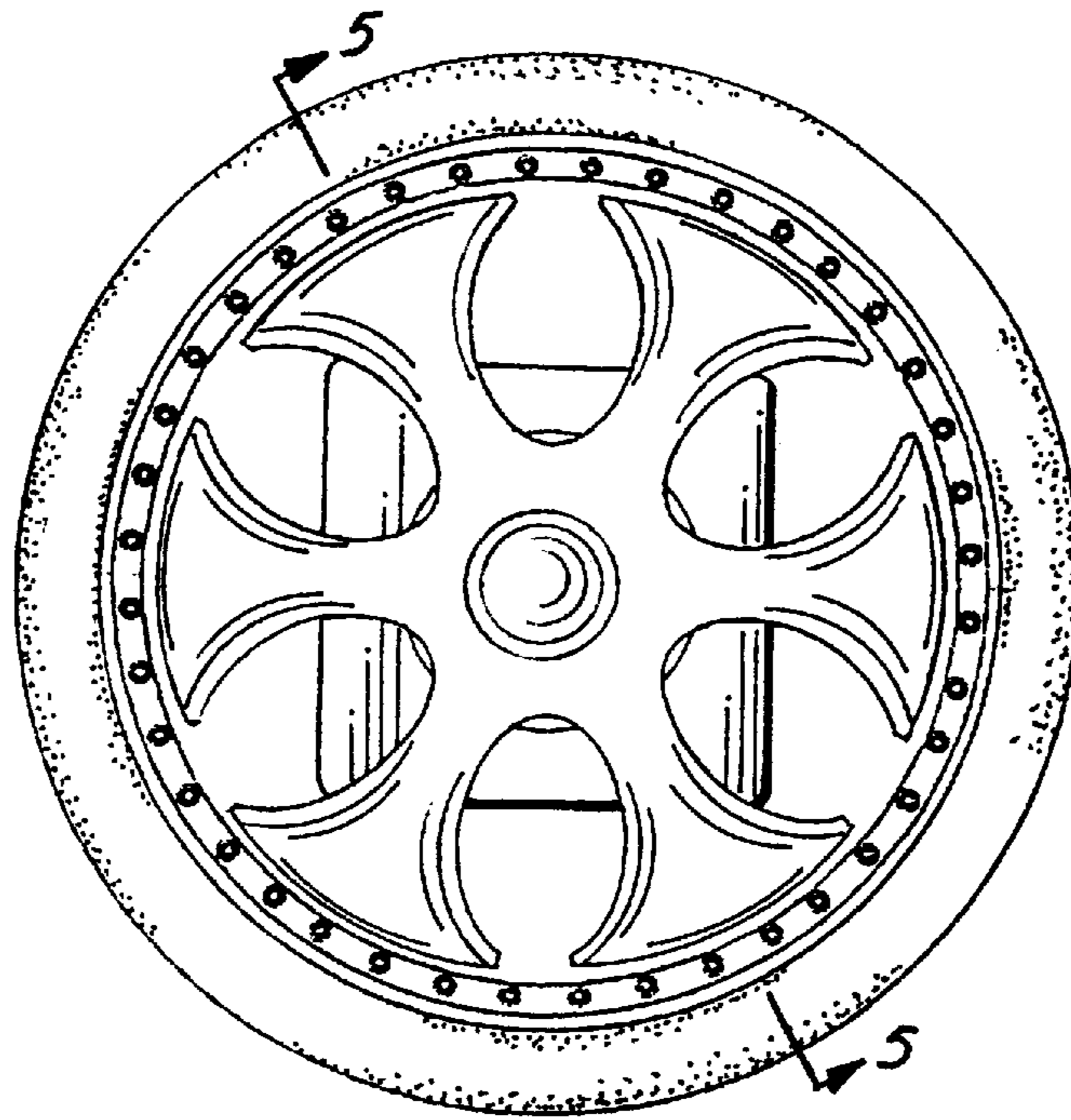


Fig. 1

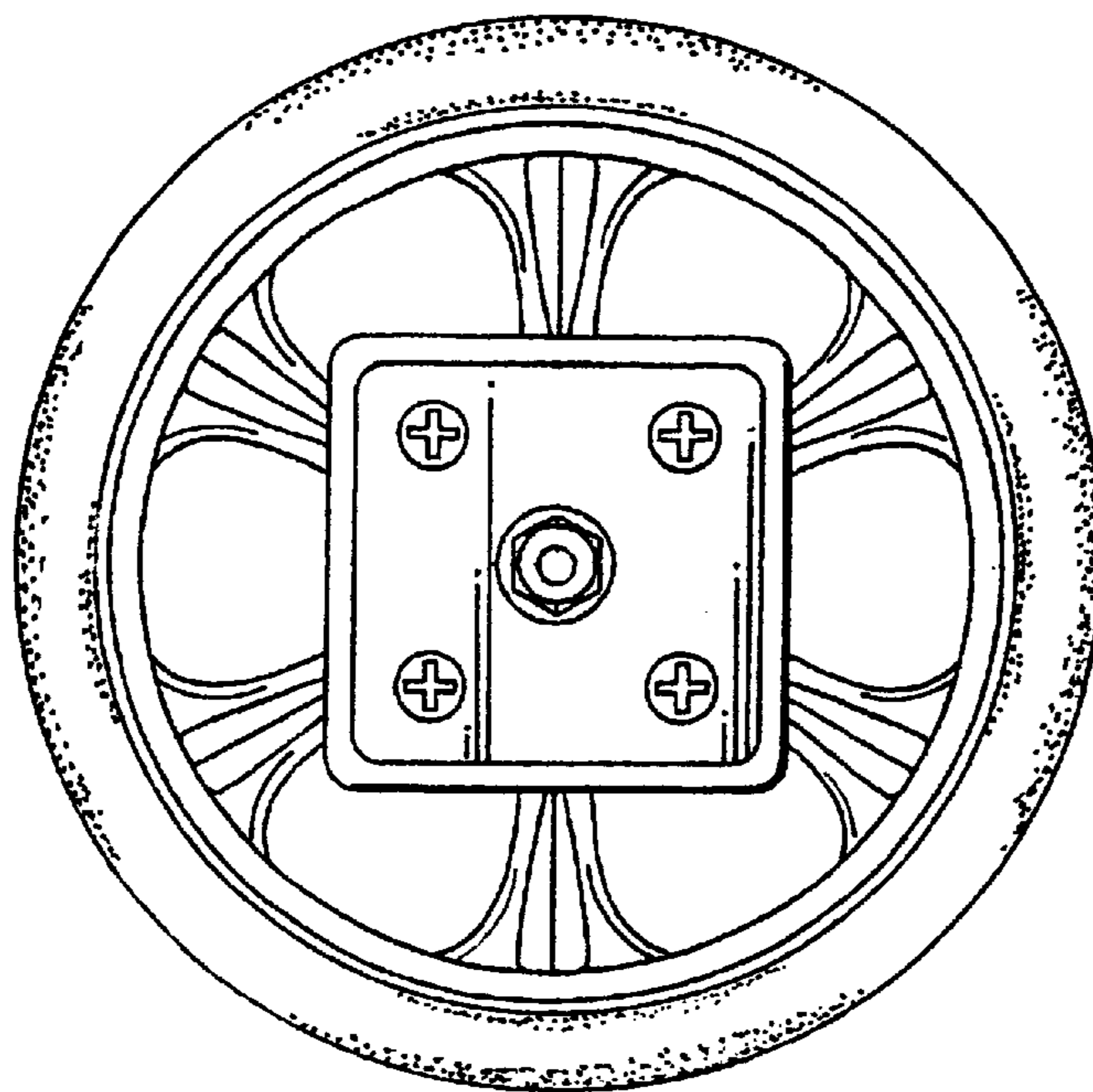


Fig. 2

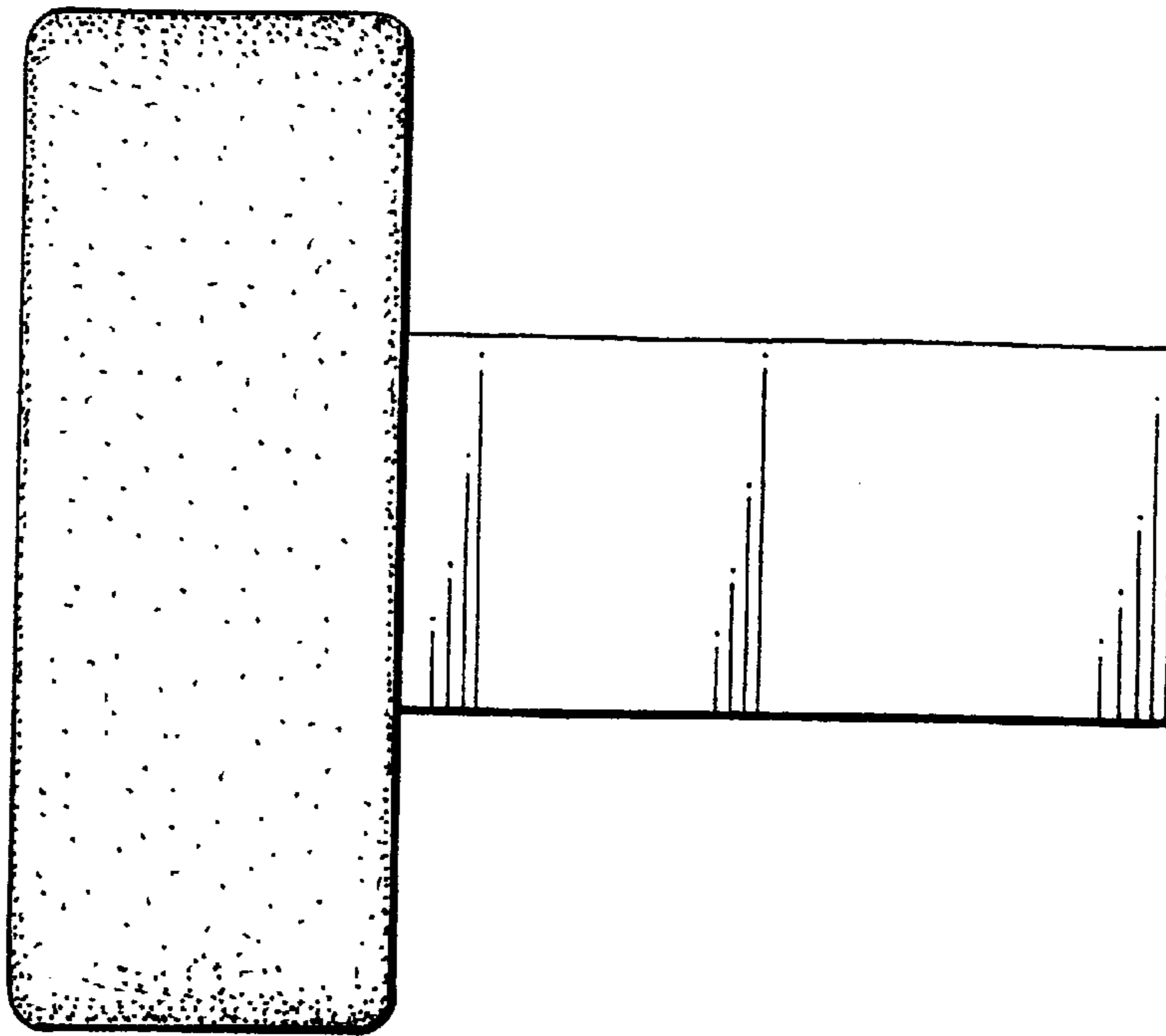


Fig. 3

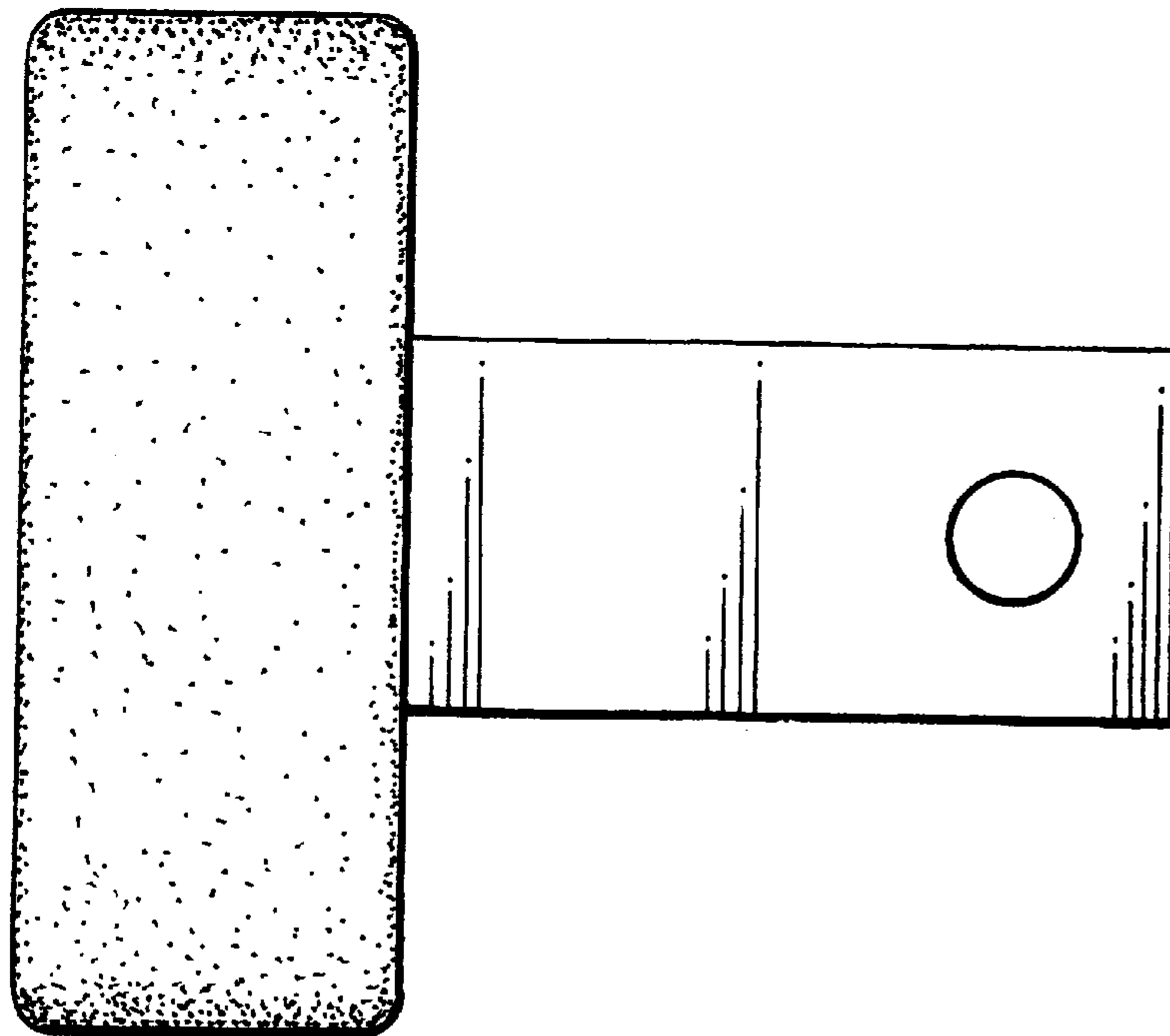


Fig. 4

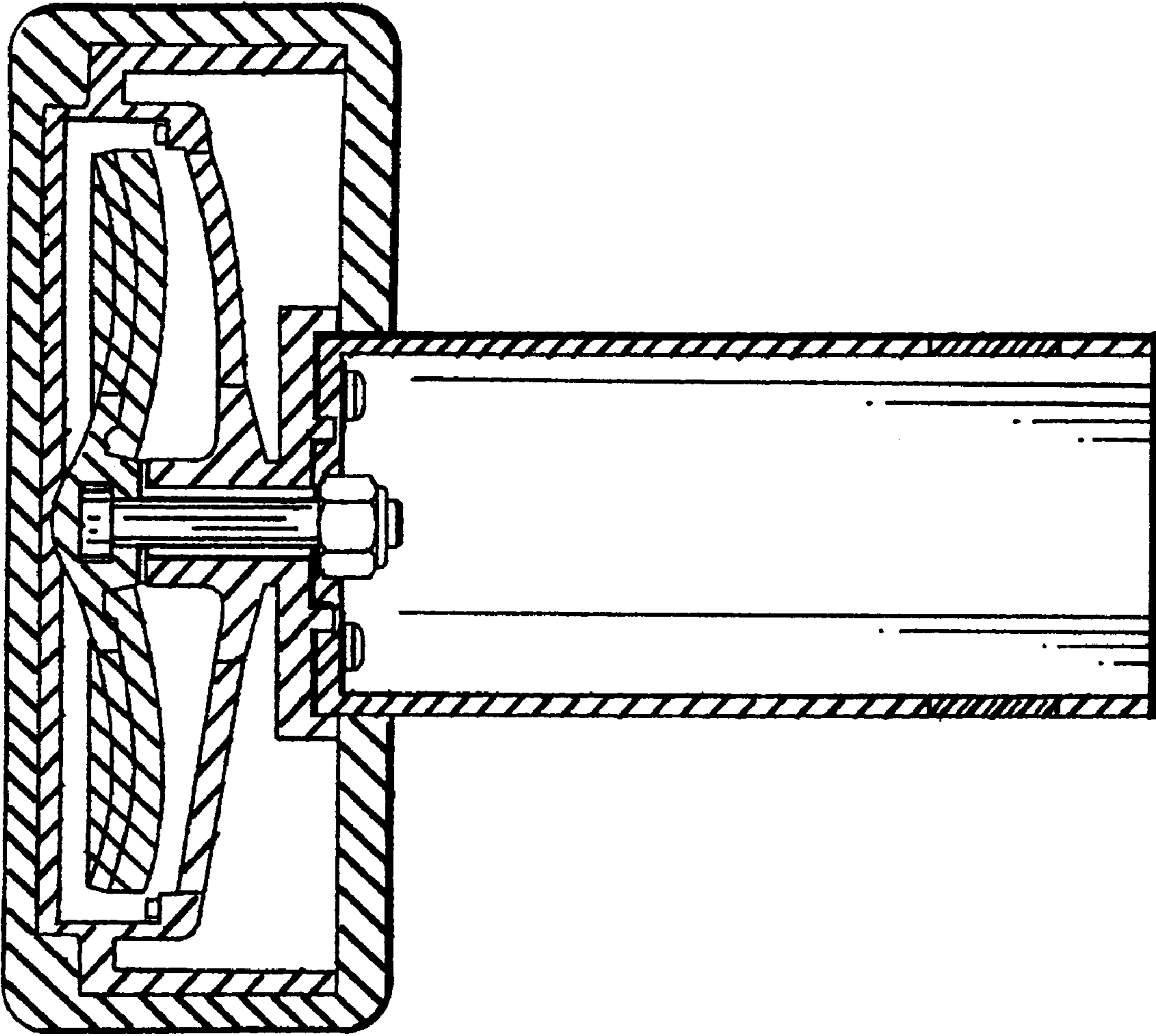


Fig. 5