



US00D514478S

(12) **United States Design Patent** (10) **Patent No.:** **US D514,478 S**
Freeborn et al. (45) **Date of Patent:** **** Feb. 7, 2006**

(54) **ADJUSTABLE BED CARRIAGE**
 (75) Inventors: **Brian Freeborn**, Mississauga (CA);
Ted House, Grimsby (CA)
 (73) Assignee: **M.C. Healthcare Products Inc.**,
 Beamsville (CA)
 (**) Term: **14 Years**

5,708,997 A 1/1998 Foster et al.
 5,774,914 A 7/1998 Johnson et al.
 6,006,379 A 12/1999 Hensley
 6,076,209 A 6/2000 Paul
 6,321,878 B1 11/2001 Mobley et al.
 6,405,393 B2 6/2002 Megown
 D464,004 S * 10/2002 Noshi D12/128
 6,473,921 B2 11/2002 Brooke et al.
 6,546,577 B1 4/2003 Chinn
 D483,701 S * 12/2003 Bazan D12/128
 2003/0033672 A1 2/2003 Jehn

(21) Appl. No.: **29/192,153**
 (22) Filed: **Oct. 21, 2003**

* cited by examiner

Primary Examiner—Marcus A. Jackson

(51) **LOC (8) Cl.** **12-99**
 (52) **U.S. Cl.** **D12/128**
 (58) **Field of Classification Search** D12/128–133;
 5/81.1, 83.1, 86.1, 428, 618, 620; 280/250.1;
 297/DIG. 4

(57) **CLAIM**

The ornamental design for an adjustable bed carriage, as shown and described.

See application file for complete search history.

DESCRIPTION

(56) **References Cited**

U.S. PATENT DOCUMENTS

3,644,945 A 2/1972 Goodman et al.
 3,700,070 A 10/1972 King
 4,023,849 A 5/1977 Bethlen
 4,097,939 A 7/1978 Peck et al.
 4,258,445 A 3/1981 Zur
 4,381,571 A 5/1983 Elliott
 4,425,673 A 1/1984 Werner
 4,523,732 A 6/1985 Biber et al.
 4,927,127 A 5/1990 Lock
 5,095,562 A 3/1992 Alexander
 5,197,156 A * 3/1993 Stryker et al. D12/128
 5,257,428 A 11/1993 Carroll et al.
 5,285,992 A 2/1994 Brown
 5,303,437 A * 4/1994 Hung D12/128
 RE35,201 E 4/1996 Krauska
 5,613,255 A 3/1997 Bish et al.

FIG. 1 is a perspective view of the top and front of the adjustable bed carriage showing our new design;
 FIG. 2 is a perspective view of the underside and back thereof;
 FIG. 3 is a left side view thereof showing a frame portion of the bed carriage in a raised position;
 FIG. 4 is a right side view thereof;
 FIG. 5 is a left side view thereof showing the frame portion in a lowered position;
 FIG. 6 is a right side view thereof;
 FIG. 7 is a front view thereof showing the frame portion in a raised position;
 FIG. 8 is a back view thereof;
 FIG. 9 is a top view thereof; and,
 FIG. 10 is a bottom view thereof.

1 Claim, 8 Drawing Sheets



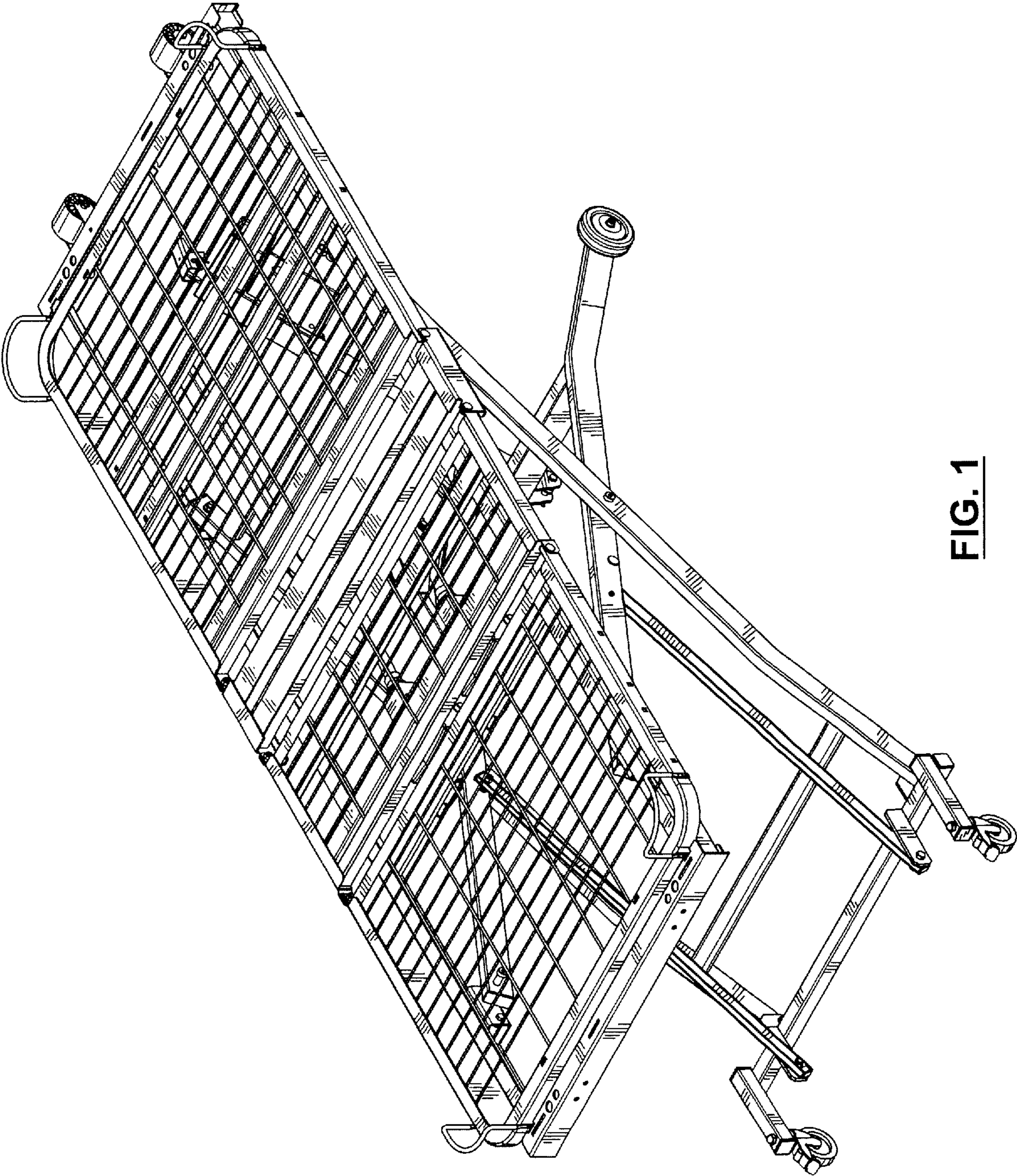


FIG. 1

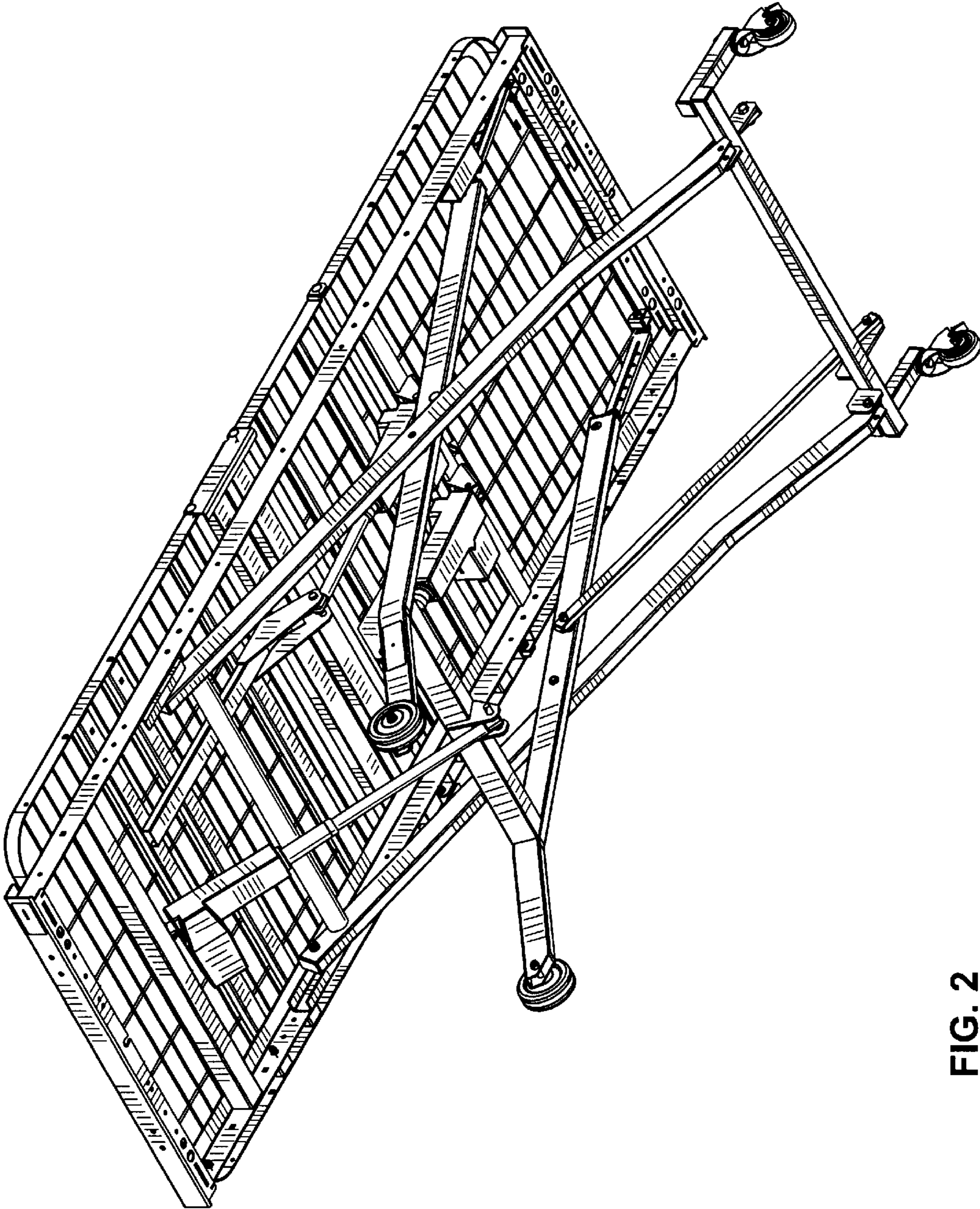


FIG. 2

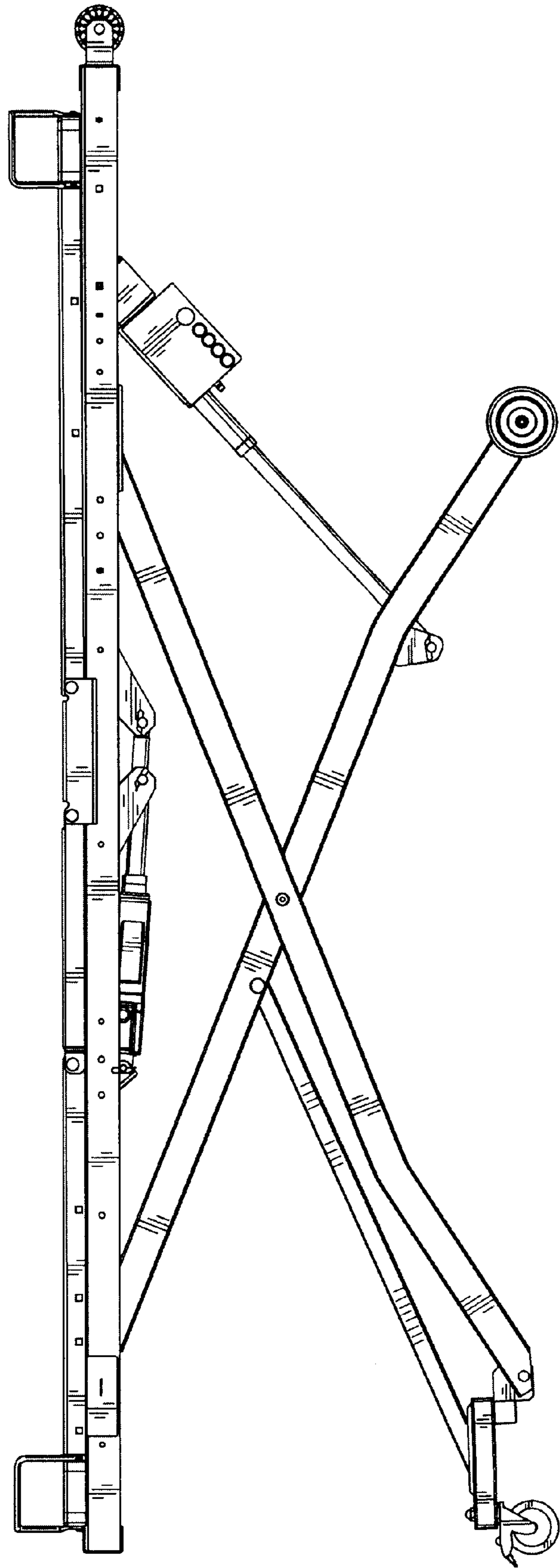


FIG. 3

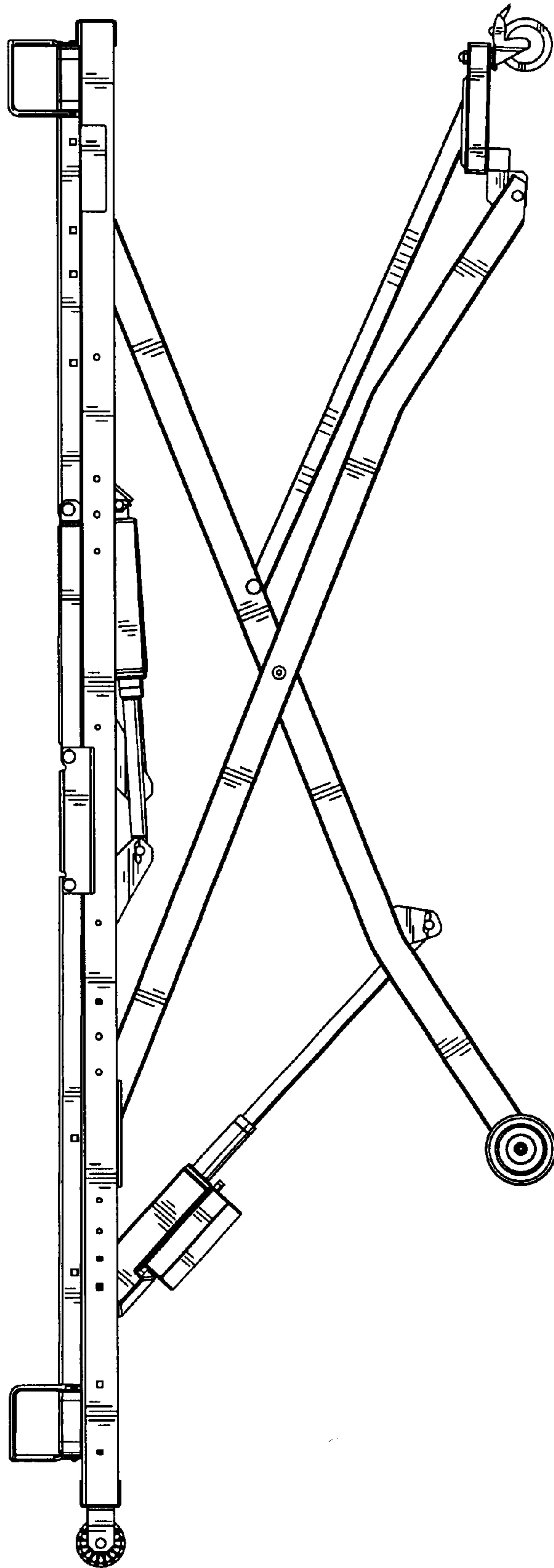


FIG. 4

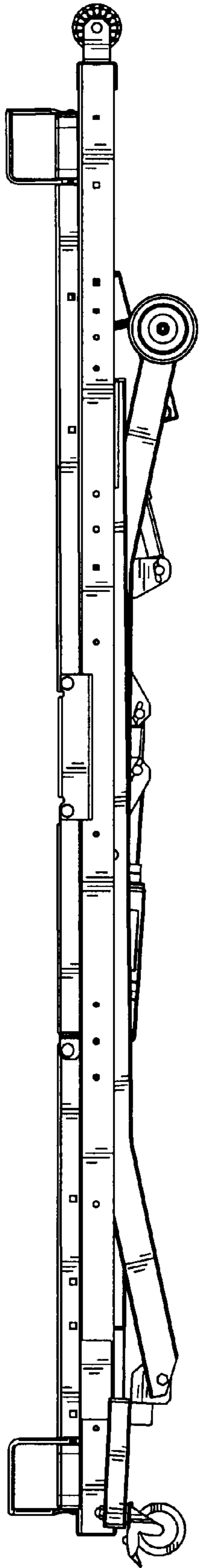


FIG. 5

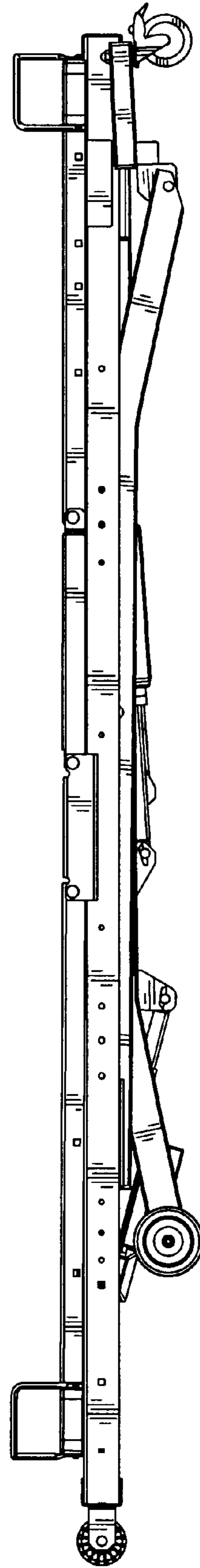


FIG. 6

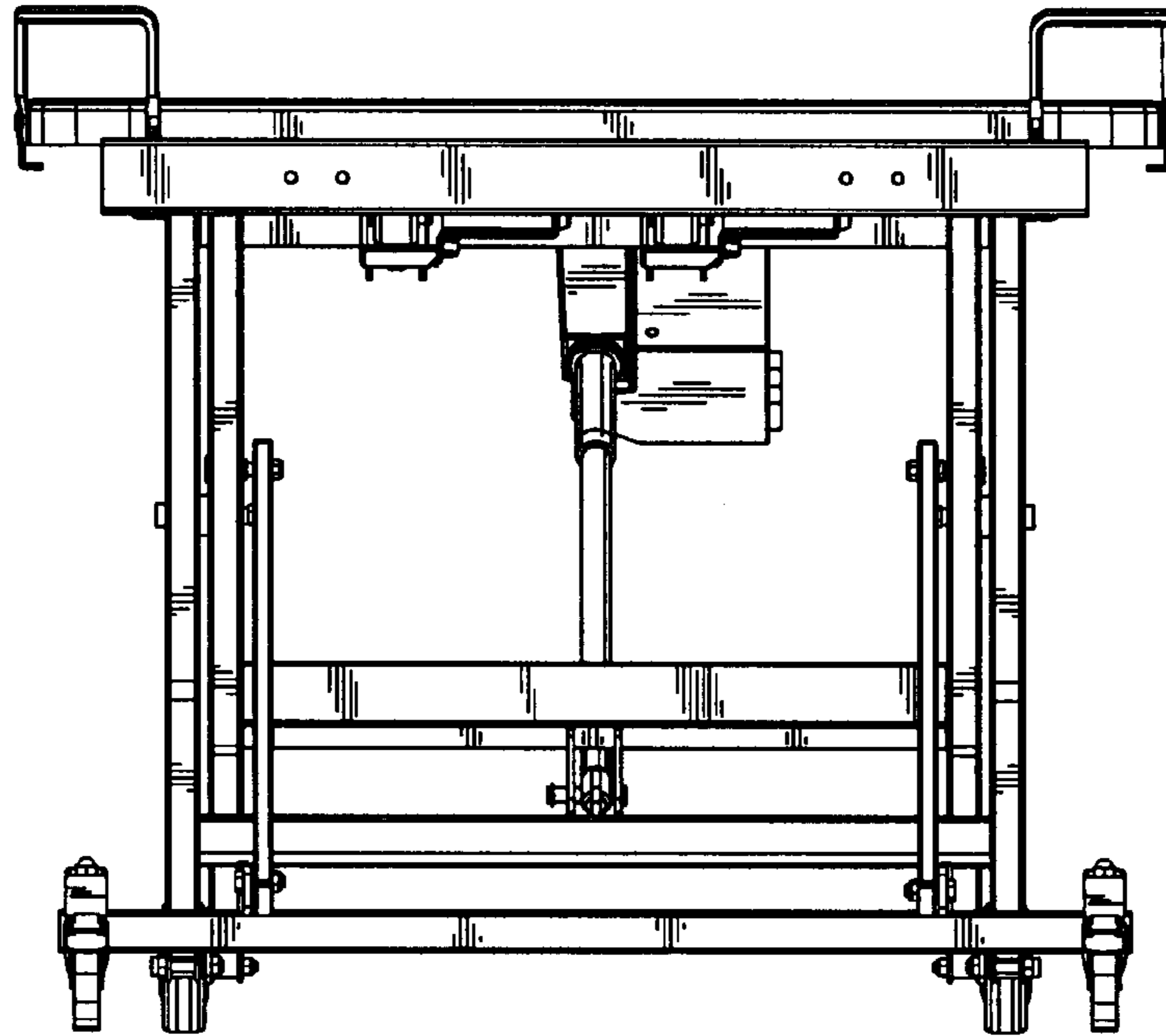


FIG. 7

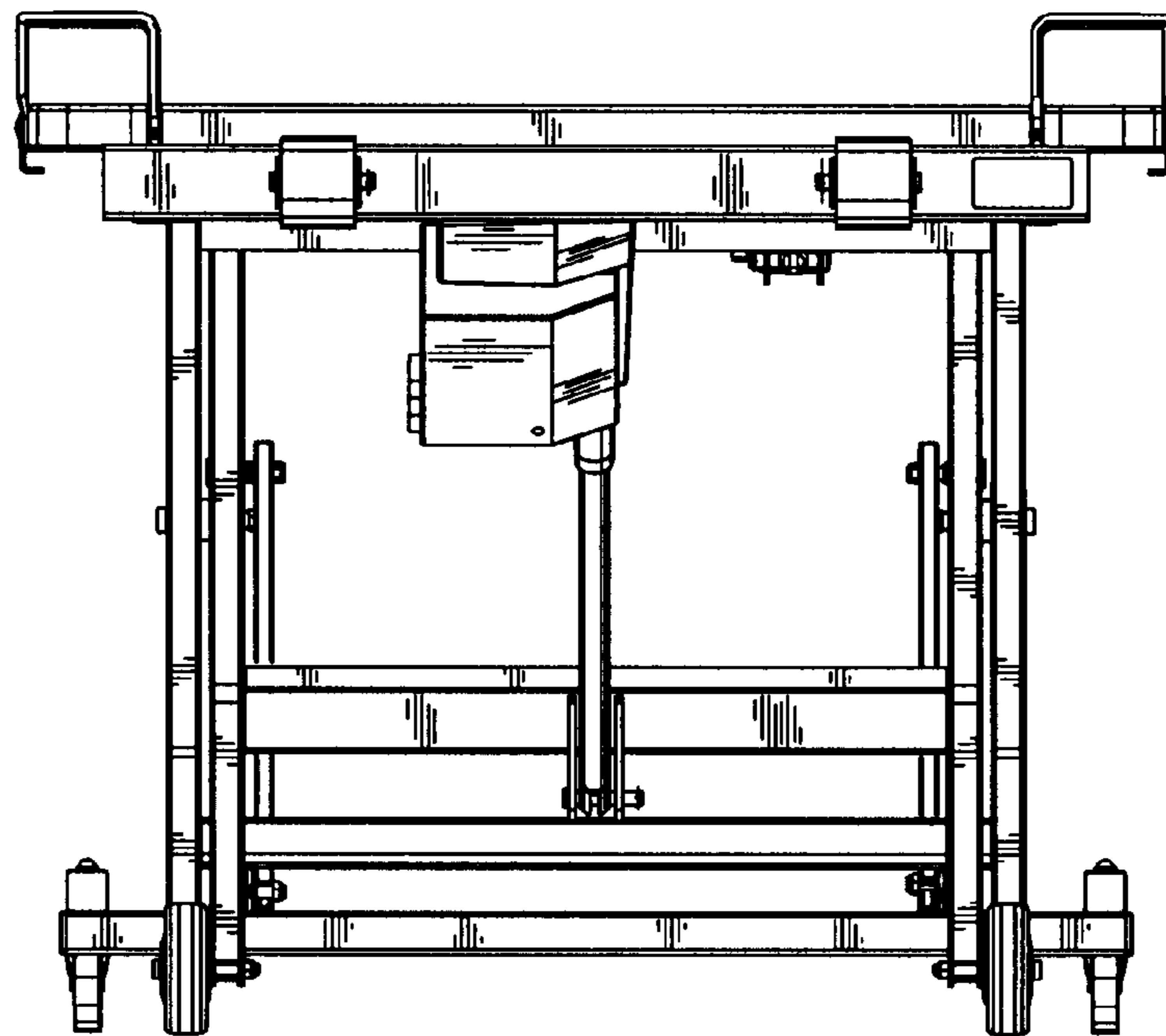


FIG. 8

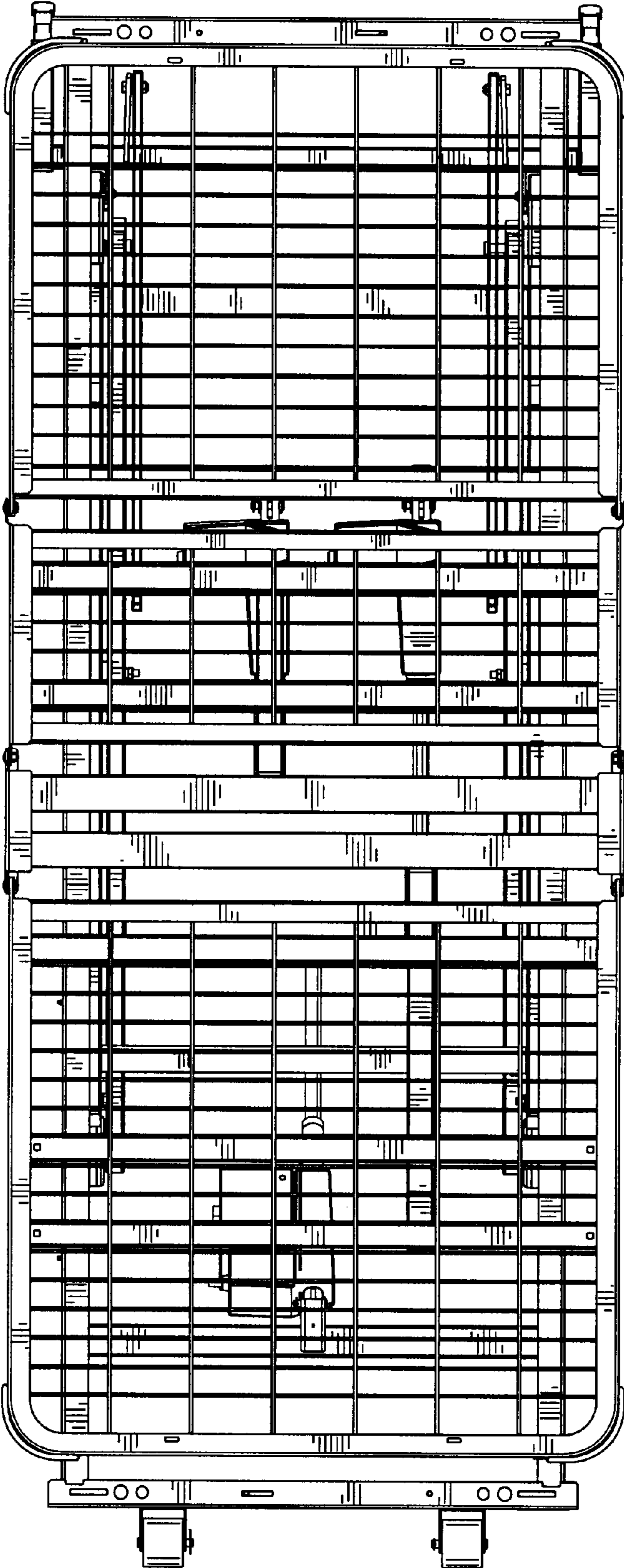


FIG. 9

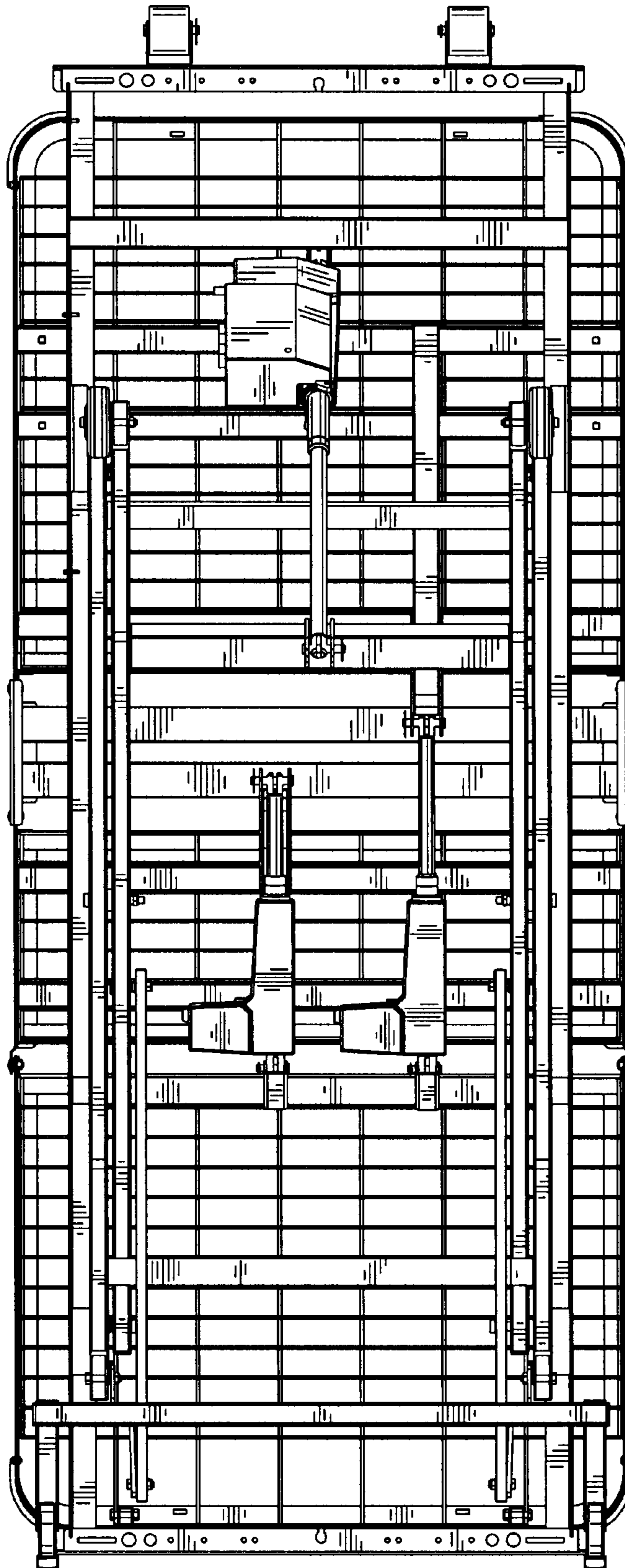


FIG. 10

UNITED STATES PATENT AND TRADEMARK OFFICE
CERTIFICATE OF CORRECTION

PATENT NO. : Des. 514,478 S
APPLICATION NO. : 29/192153
DATED : February 7, 2006
INVENTOR(S) : Brian Freeborn, Ted House and Geoff Rutherford

Page 1 of 1

It is certified that error appears in the above-identified patent and that said Letters Patent is hereby corrected as shown below:

On The Title Page; Item (75) add

--Geoff Rutherford, Milton (CA)--

Signed and Sealed this

Twelfth Day of June, 2007

A handwritten signature in black ink on a light gray dotted background. The signature reads "Jon W. Dudas" in a cursive style.

JON W. DUDAS

Director of the United States Patent and Trademark Office