



US00D514476S

(12) **United States Design Patent**
Glenn, II

(10) **Patent No.:** **US D514,476 S**

(45) **Date of Patent:** **** Feb. 7, 2006**

(54) **TRICYCLE**

(76) **Inventor:** **Robert J. Glenn, II**, 1460 N. Sandburg Ter., #2804, Chicago, IL (US) 60610

(**) **Term:** **14 Years**

(21) **Appl. No.:** **29/222,746**

(22) **Filed:** **Feb. 3, 2005**

(51) **LOC (8) Cl.** **12-11**

(52) **U.S. Cl.** **D12/112**

(58) **Field of Classification Search** D12/112, D12/113; 280/211, 259, 270, 271, 281.1, 280/282, 288.1; D21/432, 435, 538; 446/440
See application file for complete search history.

(56) **References Cited**

U.S. PATENT DOCUMENTS

D483,420 S * 12/2003 DeLong et al. D21/435
D484,073 S * 12/2003 Heinemann et al. D12/112

* cited by examiner

Primary Examiner—Alan P. Douglas

Assistant Examiner—Linda Brooks

(74) *Attorney, Agent, or Firm*—Jenkins & Gilchrist

(57) **CLAIM**

The ornamental design for a tricycle, as shown.

DESCRIPTION

FIG. 1 is a side view of a tricycle.

FIG. 2 is a top view of the tricycle of FIG. 1.

FIG. 3 is a rear view of the tricycle of FIG. 1.

FIG. 4 is a front view of the tricycle of FIG. 1.

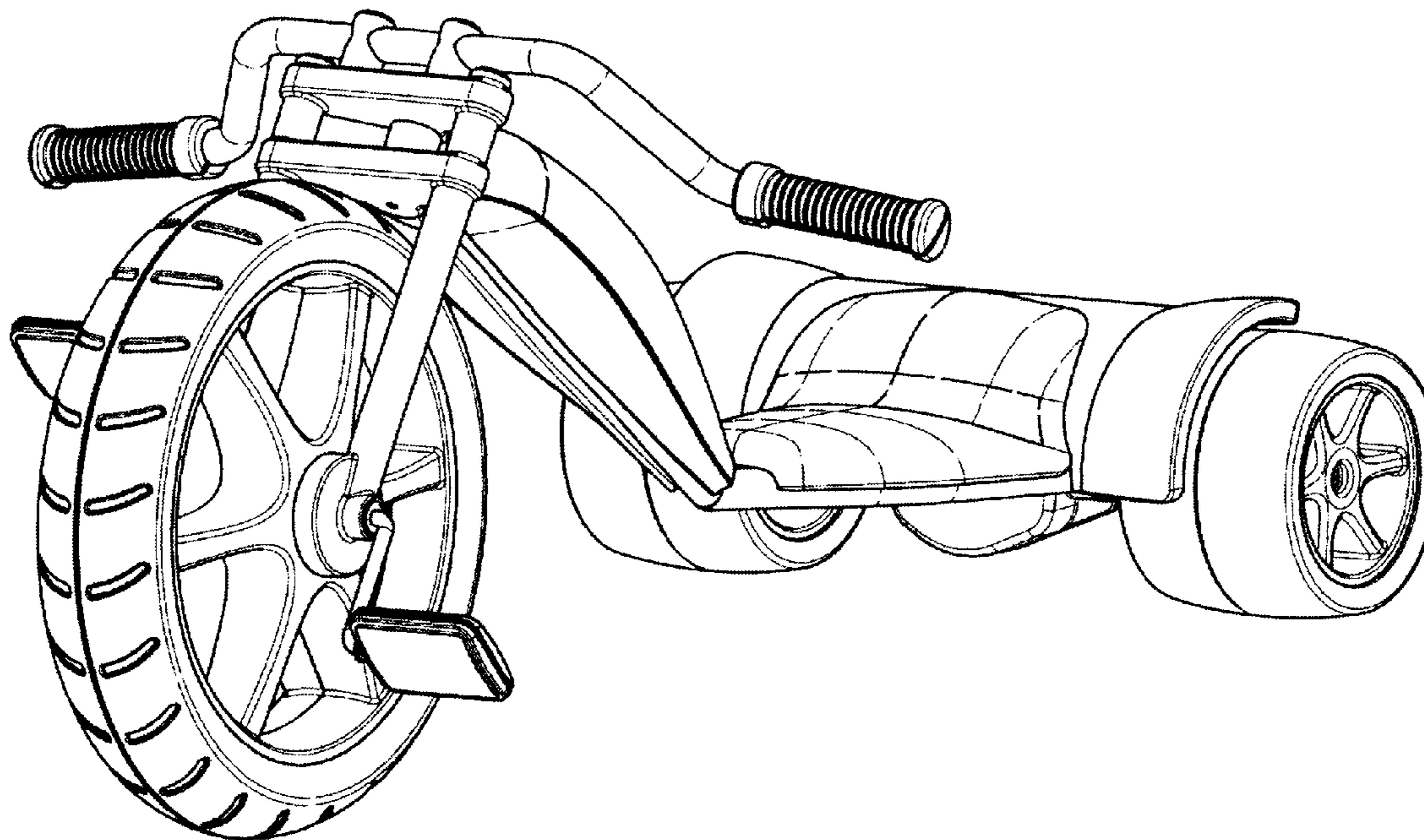
FIG. 5 is a left front perspective view of the tricycle of FIG. 1.

FIG. 6 is a right front perspective view of the tricycle of FIG. 1.

FIG. 7 is a left rear perspective view of the tricycle of FIG. 1; and,

FIG. 8 is a right rear perspective view of the tricycle of FIG. 1.

1 Claim, 4 Drawing Sheets



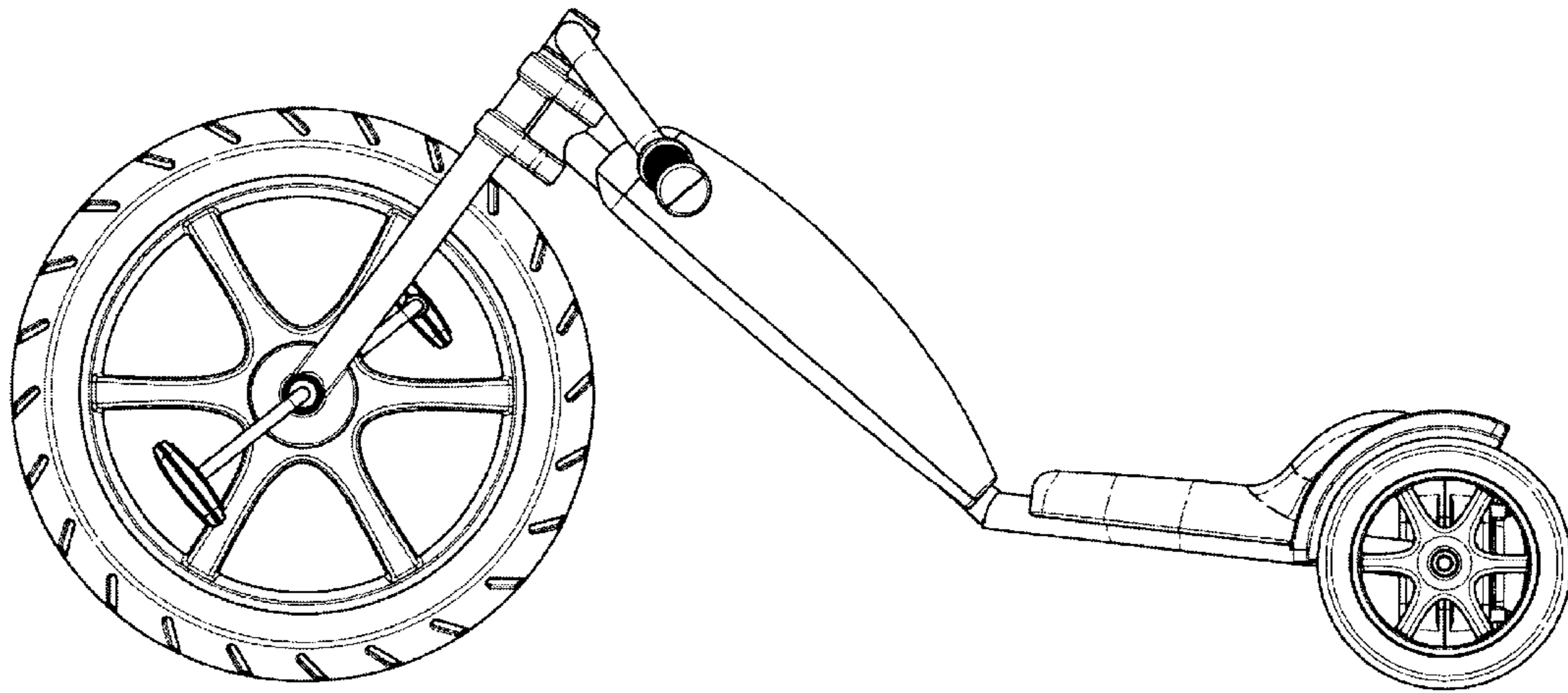


FIG. 1

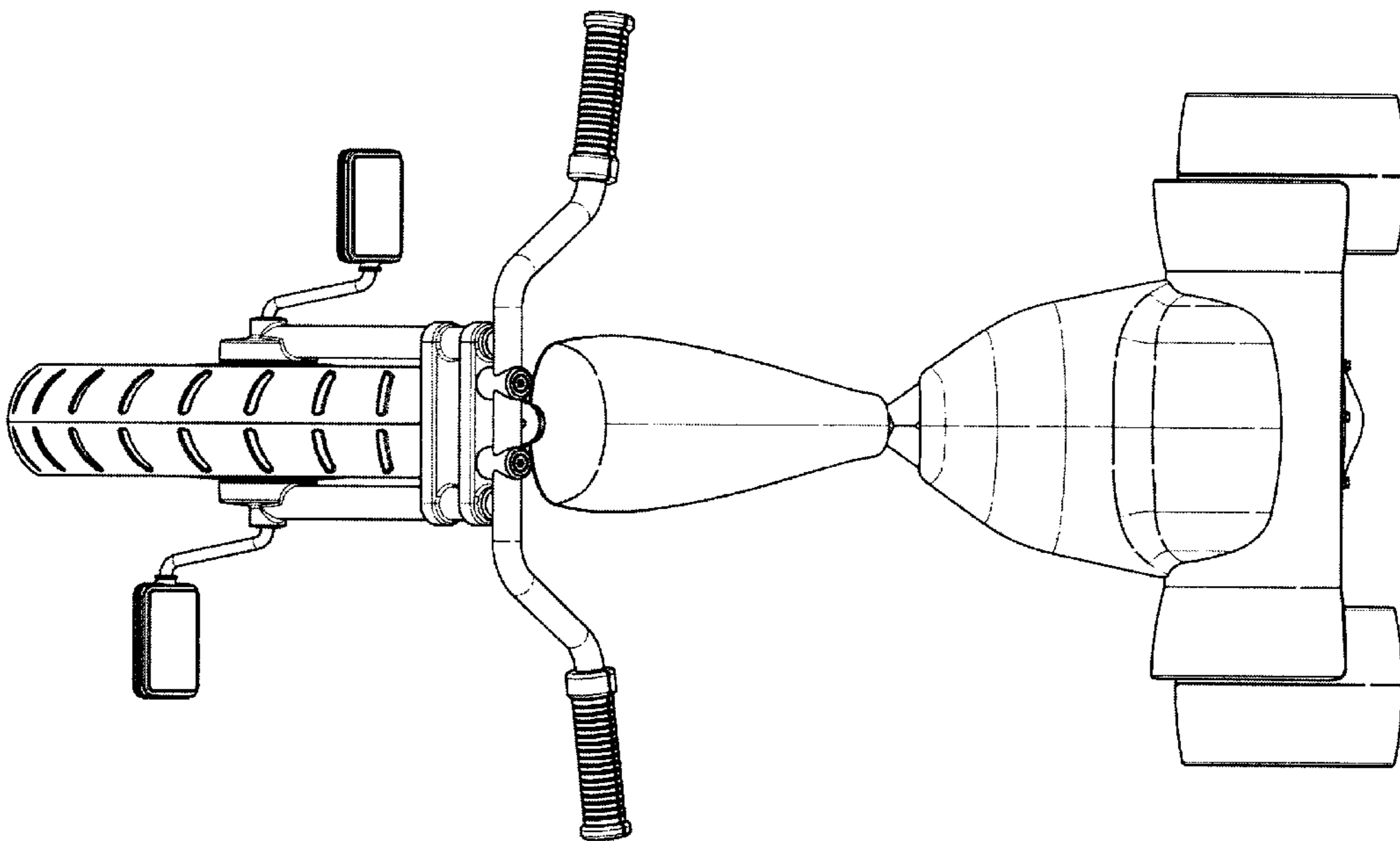


FIG. 2

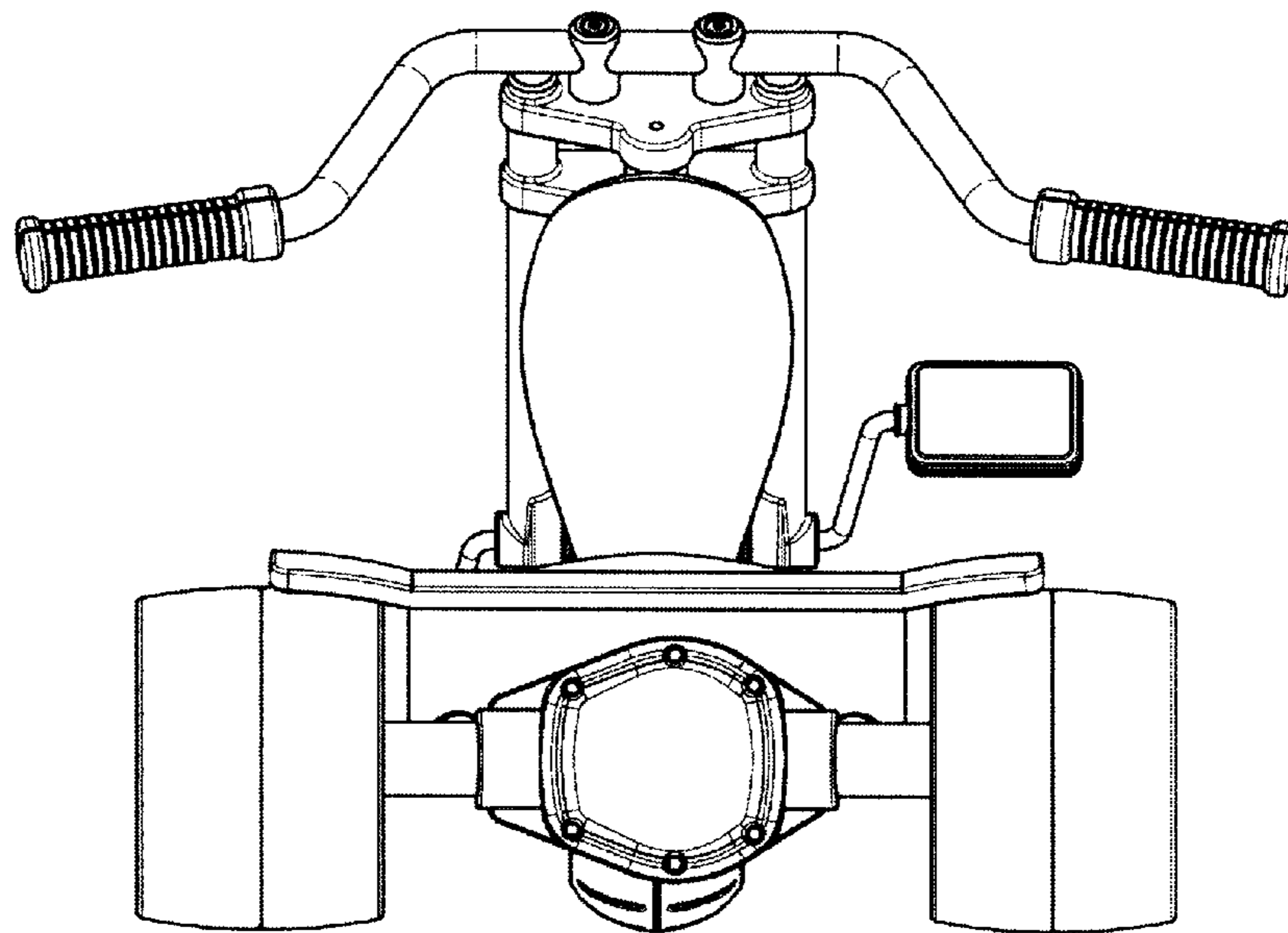


FIG. 3

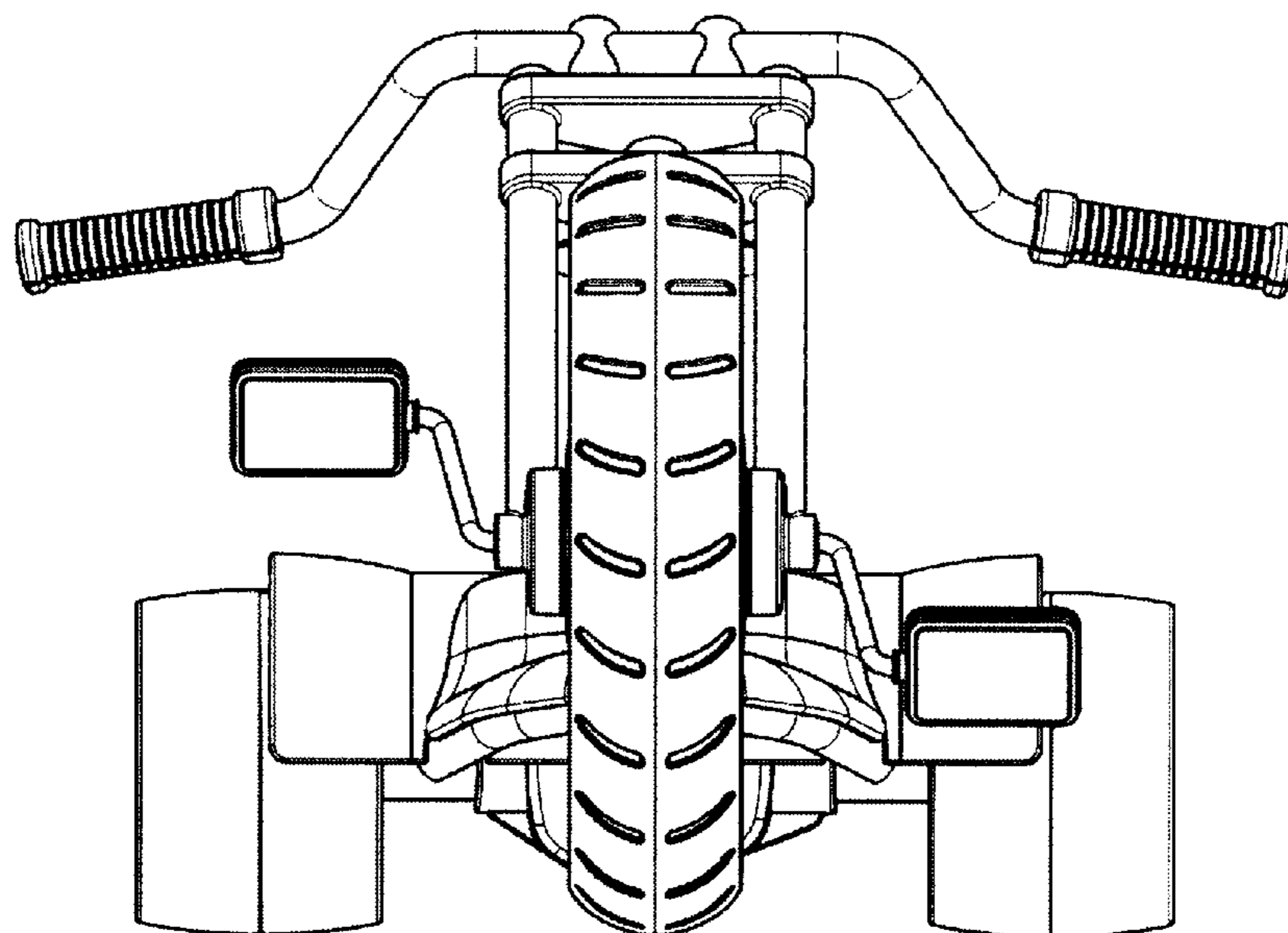


FIG. 4

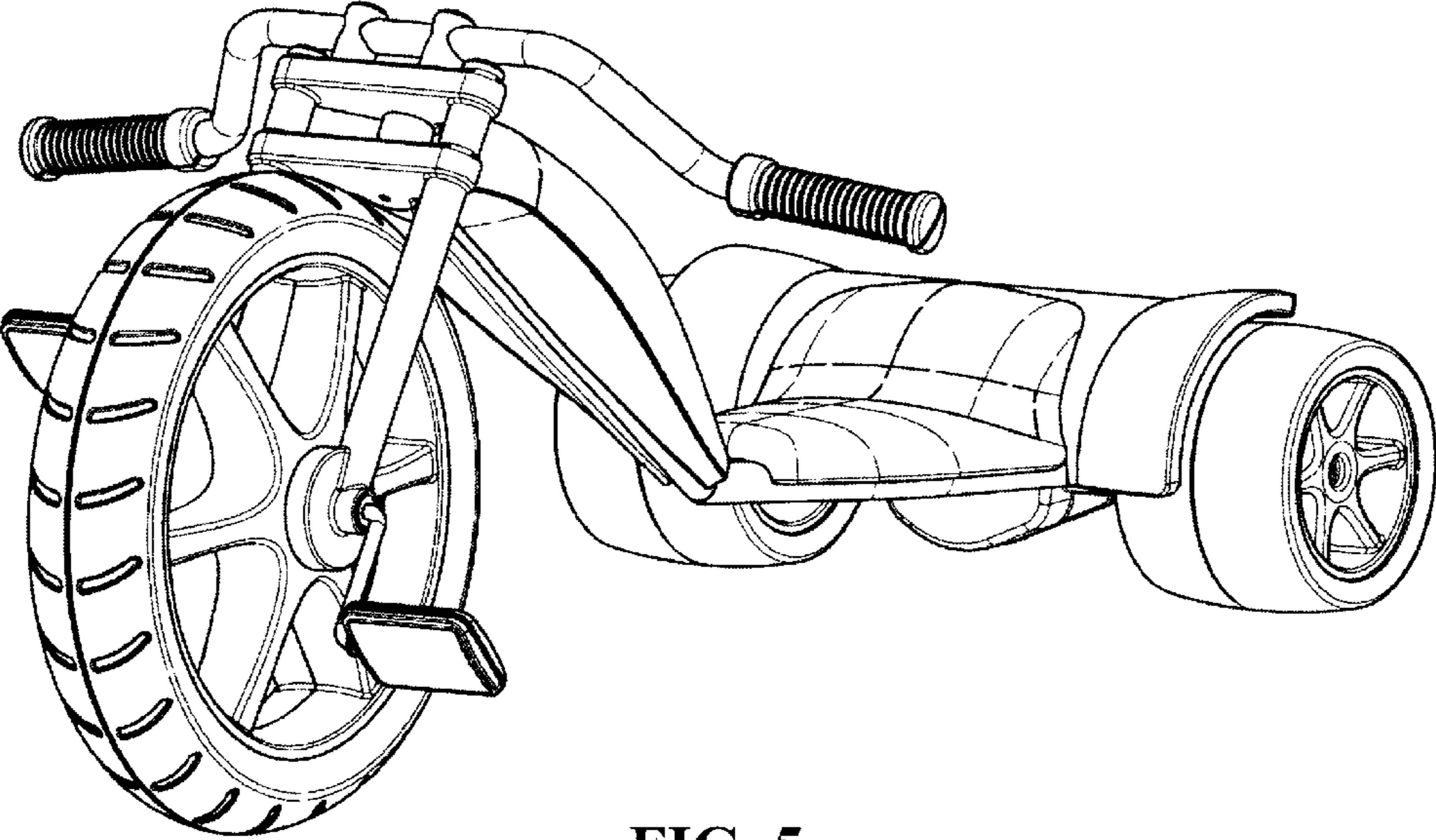


FIG. 5

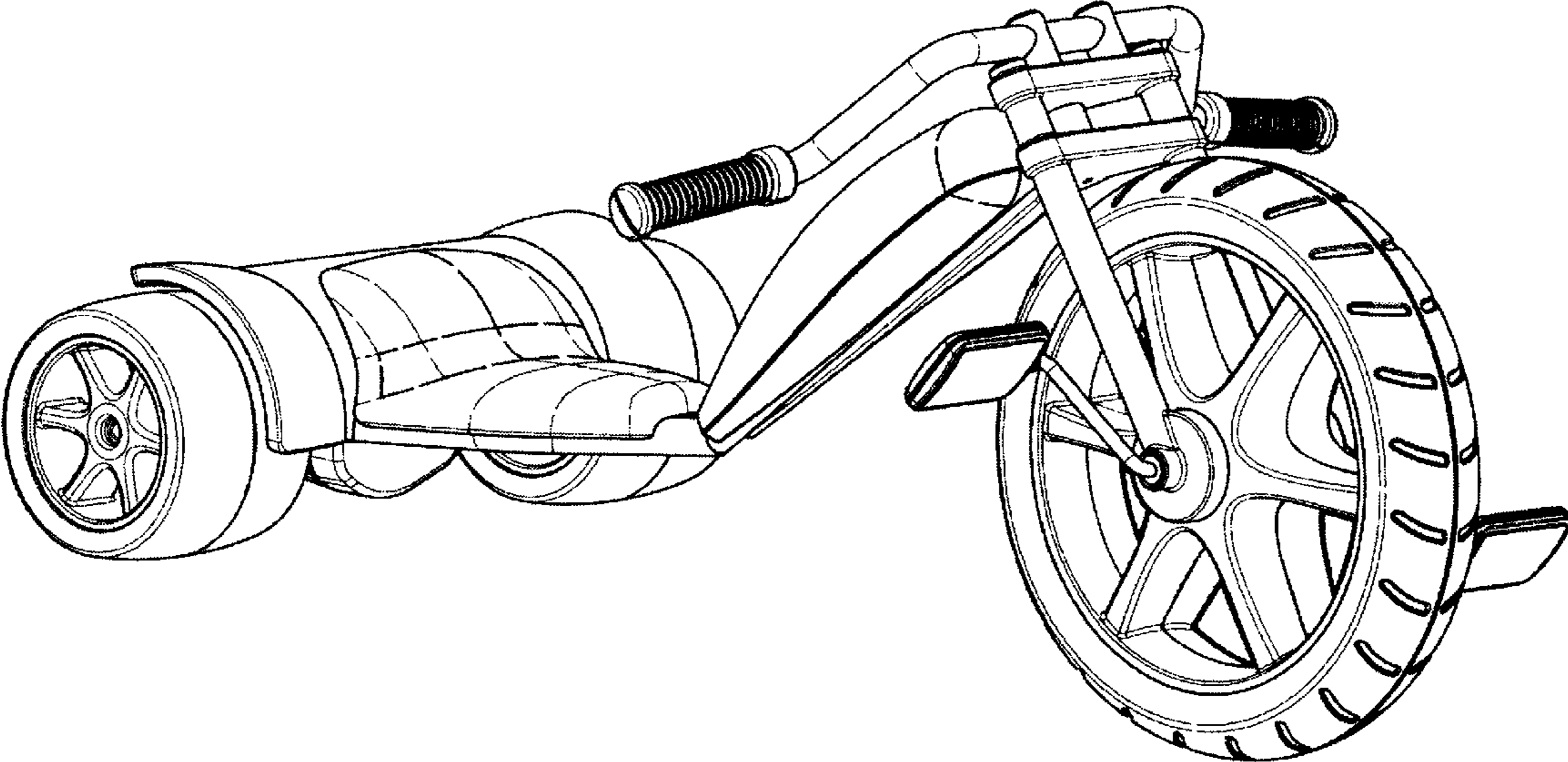


FIG. 6

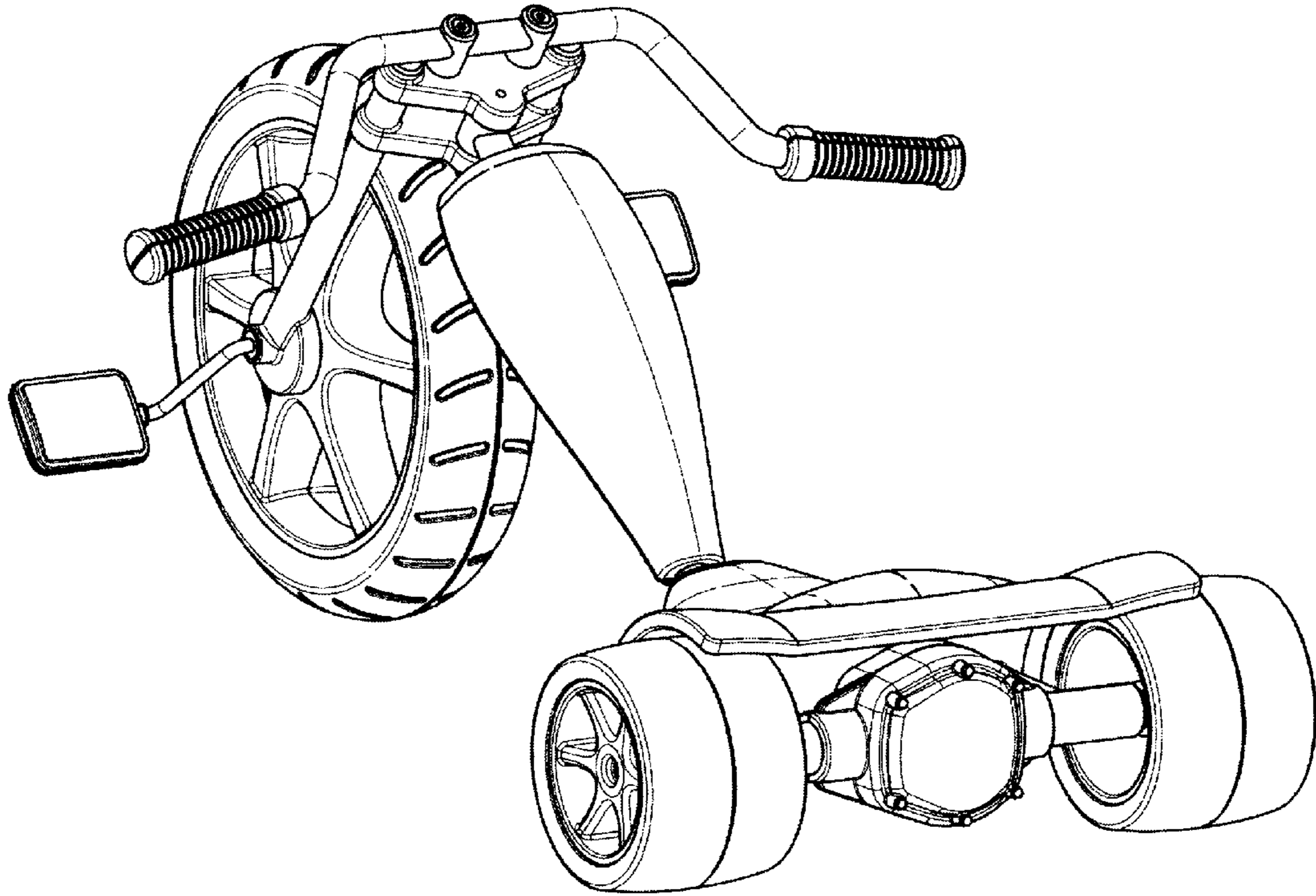


FIG. 7

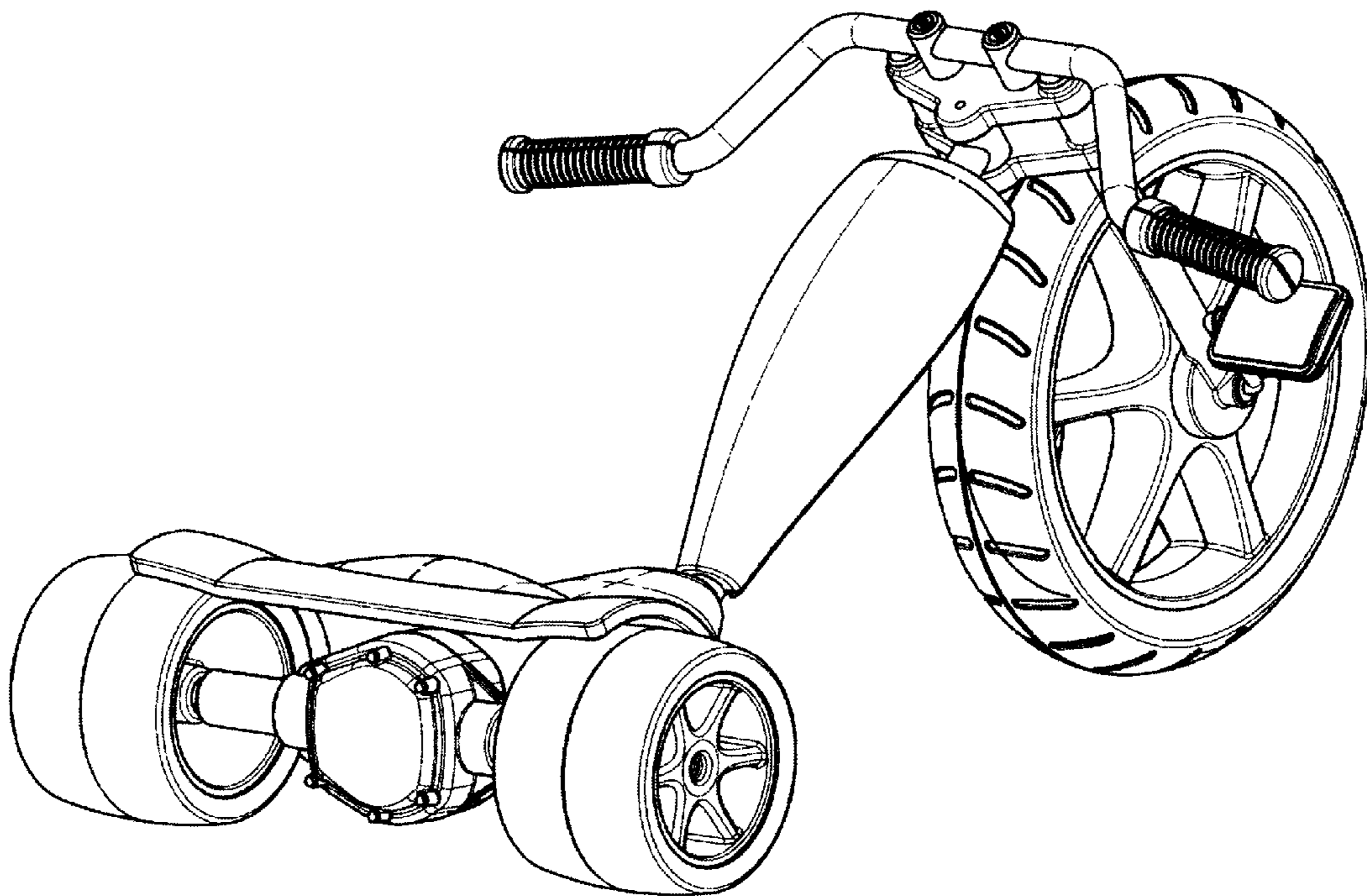


FIG. 8