



US00D514473S

(12) **United States Design Patent** (10) **Patent No.:** **US D514,473 S**
Pendleton (45) **Date of Patent:** **** Feb. 7, 2006**

(54) **FOLDING NOVELTY ITEM**

(76) Inventor: **Monte Scott Pendleton**, 2534 E. 45th St., Tulsa, OK (US) 74105

(**) Term: **14 Years**

(21) Appl. No.: **29/210,678**

(22) Filed: **Aug. 4, 2004**

(51) **LOC (8) Cl.** **11-02**

(52) **U.S. Cl.** **D11/142; D11/157; D17/8**

(58) **Field of Classification Search** D3/271.1, D3/271.7; D9/600, 662, 665; D11/125, 131, D11/142, 157; D17/8; D19/95-97; D20/29; D21/483, 493; 40/124.14, 124.19, 674, 539; 428/7-9, 12, 15, 542.6; 446/71, 75, 76, 77, 446/79, 80, 85, 87, 108-116, 479, 487, 488
See application file for complete search history.

(56) **References Cited**

U.S. PATENT DOCUMENTS

D16,811 S	*	7/1886	Sawtelle	D3/271.1
840,577 A	*	1/1907	Moore	446/482
D78,246 S	*	4/1929	Zaiser	D17/8
D134,507 S	*	12/1942	Hershfield	D9/665
2,529,661 A	*	11/1950	Millstein	426/104
D227,574 S	*	7/1973	Wyatt	D19/64
D260,528 S	*	9/1981	Decker	D17/8
D293,691 S	*	1/1988	Lin	D19/78
D294,438 S	*	3/1988	Page	D6/397
D308,223 S		5/1990	Dudley		
D322,089 S	*	12/1991	Orris	D17/8

OTHER PUBLICATIONS

Certificate of Registration No. VA 597-635-for Grand Piano Greeting Card by Monte Scott Pendleton. Not otherwise published.

* cited by examiner

Primary Examiner—Catherine Tuttle

(74) *Attorney, Agent, or Firm*—Rick Martin Patent Law Offices of Rick Martin, P.C.

(57) **CLAIM**

The ornamental design for a folding novelty item, as shown and described.

DESCRIPTION

FIG. 1 is a plan view of the top of my new design for a folding novelty item in the initial flat form, the small dotted lines being fold lines, the medium dotted lines being perforations to allow the card to be punched; and the dotted lines with alternating small and large dots indicate the boundaries which are not part of the claimed design.

FIG. 2 is a plan view of the bottom of FIG. 1.

FIG. 3 is a side elevation view of the right and left sides of FIG. 1, which are identical.

FIG. 4 is a side elevation view of the front and back of FIG. 1 which are identical.

FIG. 5 is a top plan view showing the card portions of the design outside the perforation lines in FIGS. 1 and 2 removed; and the remaining portion in a flat folded form; the small dotted lines being fold lines.

FIG. 6 is a bottom plan view of FIG. 5.

FIG. 7 is a back elevation view of FIG. 5.

FIG. 8 is a front elevation view of FIG. 5.

FIG. 9 is a right side elevation view of FIG. 5.

FIG. 10 is a left side elevation view of FIG. 5.

FIG. 11 is a top plan view showing my design in its fully assembled form.

FIG. 12 is a bottom plan view of FIG. 11.

FIG. 13 is a front elevation view of FIG. 11.

FIG. 14 is a back elevation view of FIG. 11.

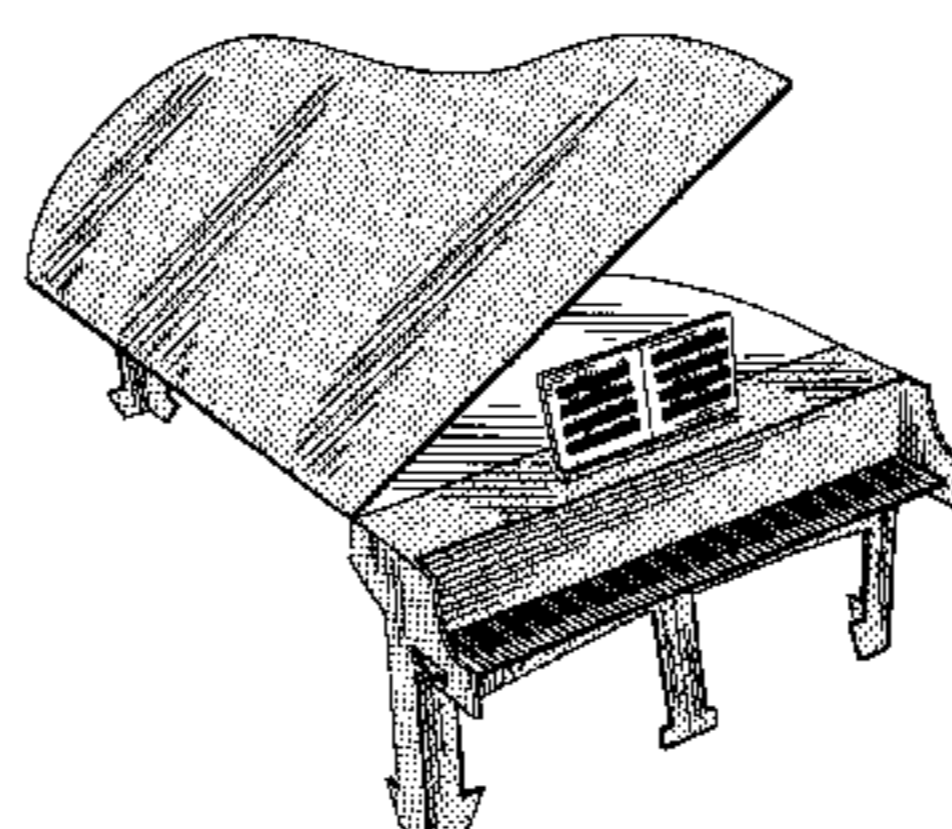
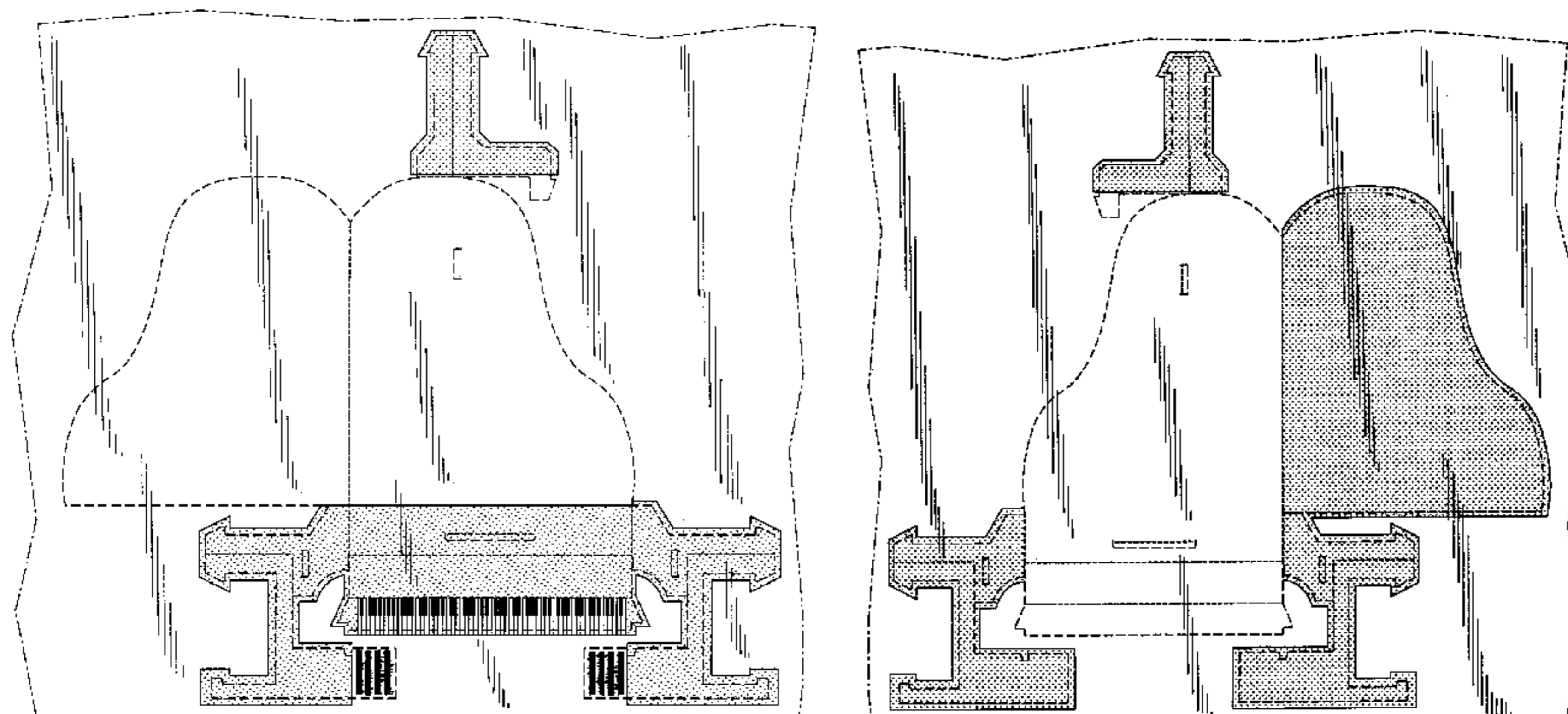
FIG. 15 is a right side elevation view of FIG. 11.

FIG. 16 is a left side elevation view of FIG. 11.

FIG. 17 is a top back perspective view of FIG. 11; and,

FIG. 18 is a top front perspective view of FIG. 11.

1 Claim, 6 Drawing Sheets



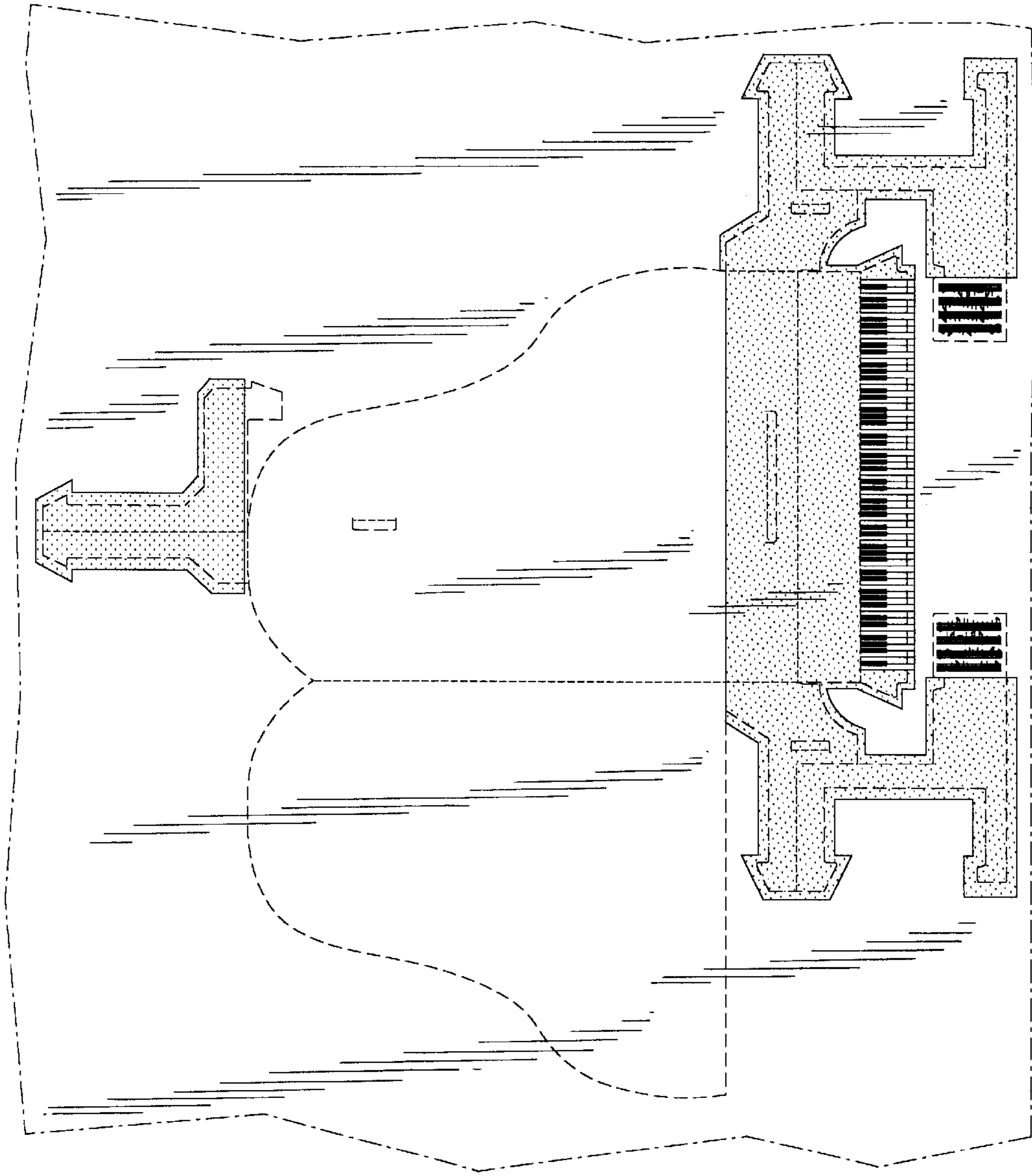


FIG.1

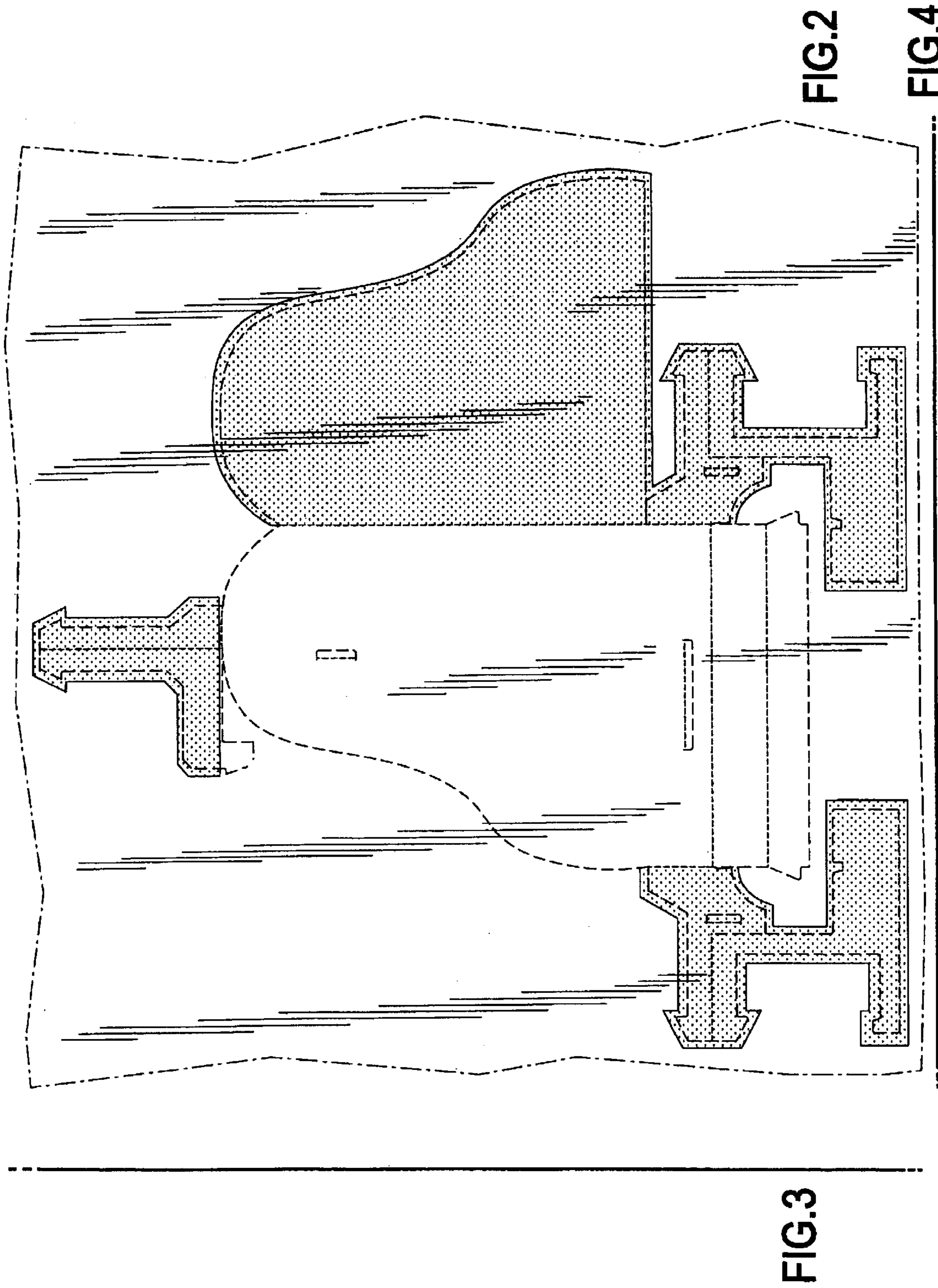


FIG.7

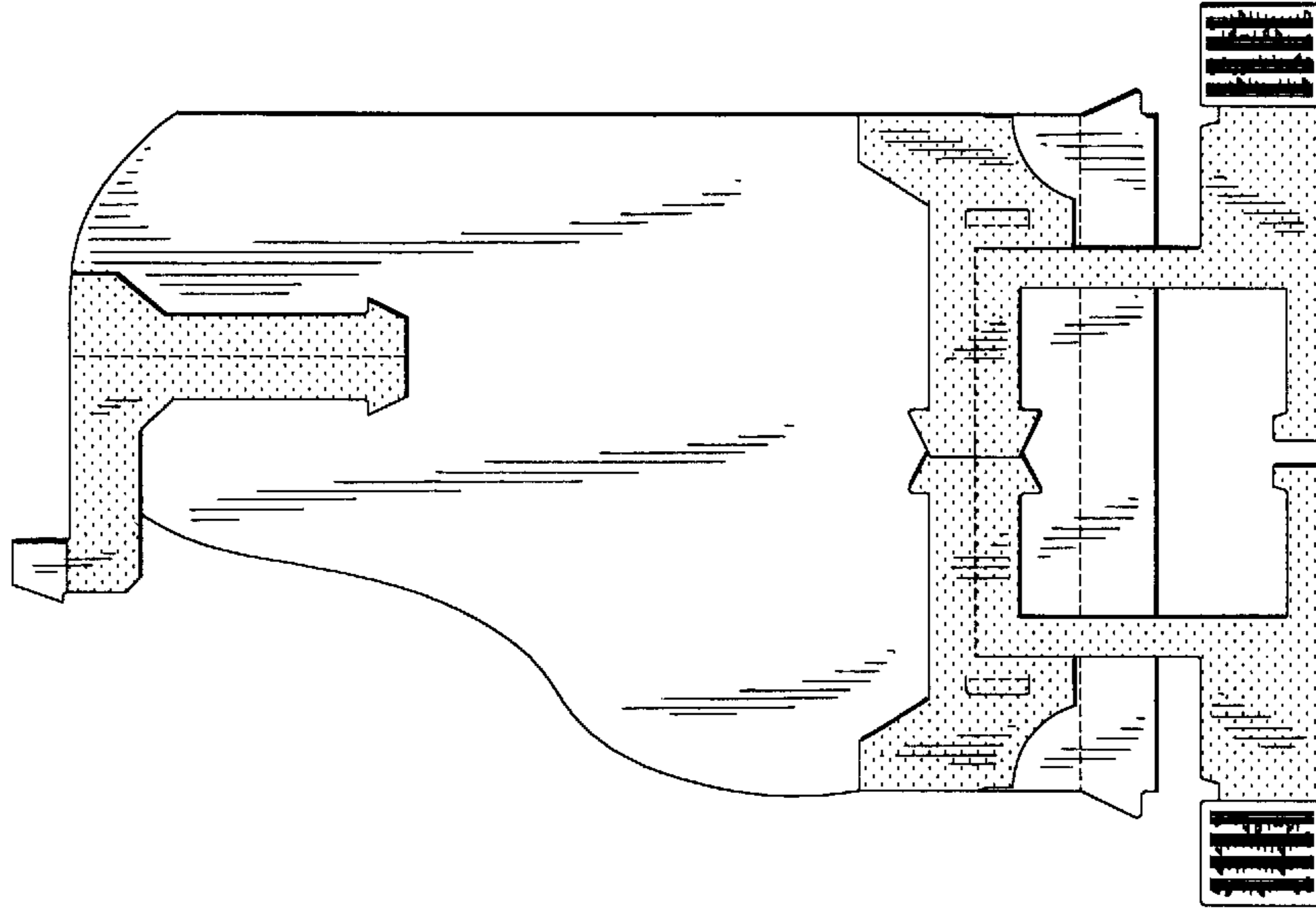
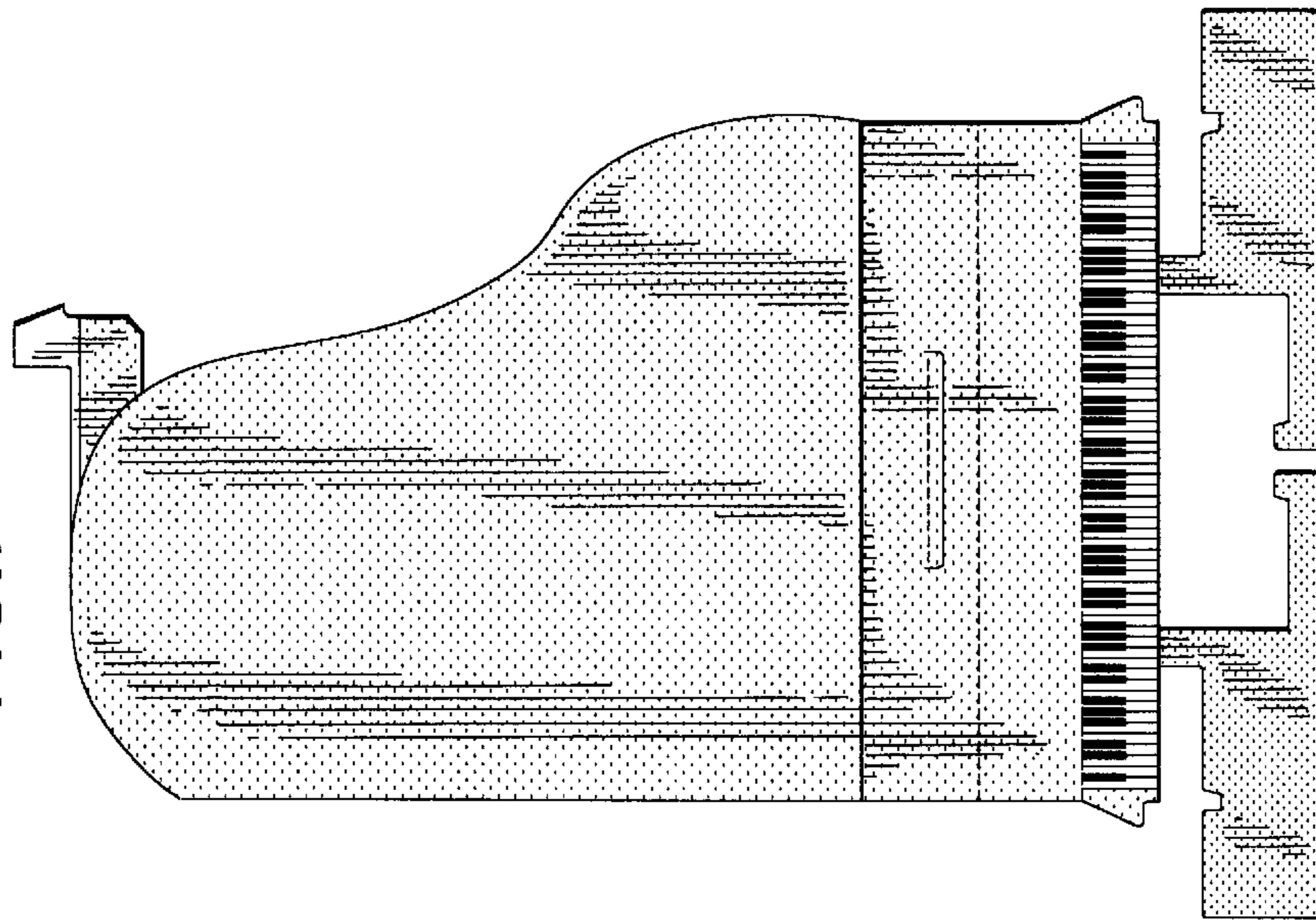


FIG.9

FIG.5

FIG.10

FIG.6

FIG.8

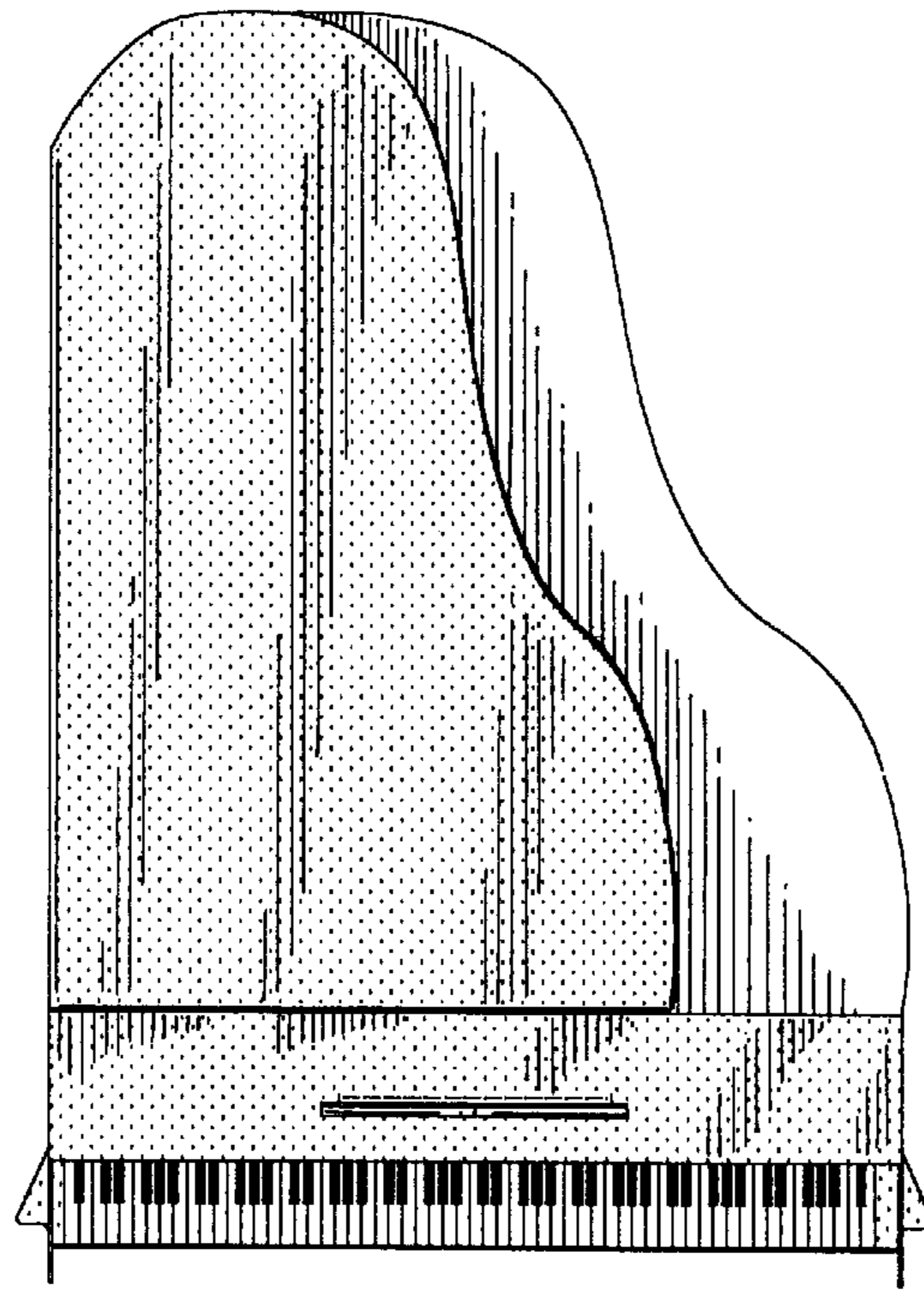


FIG. 11

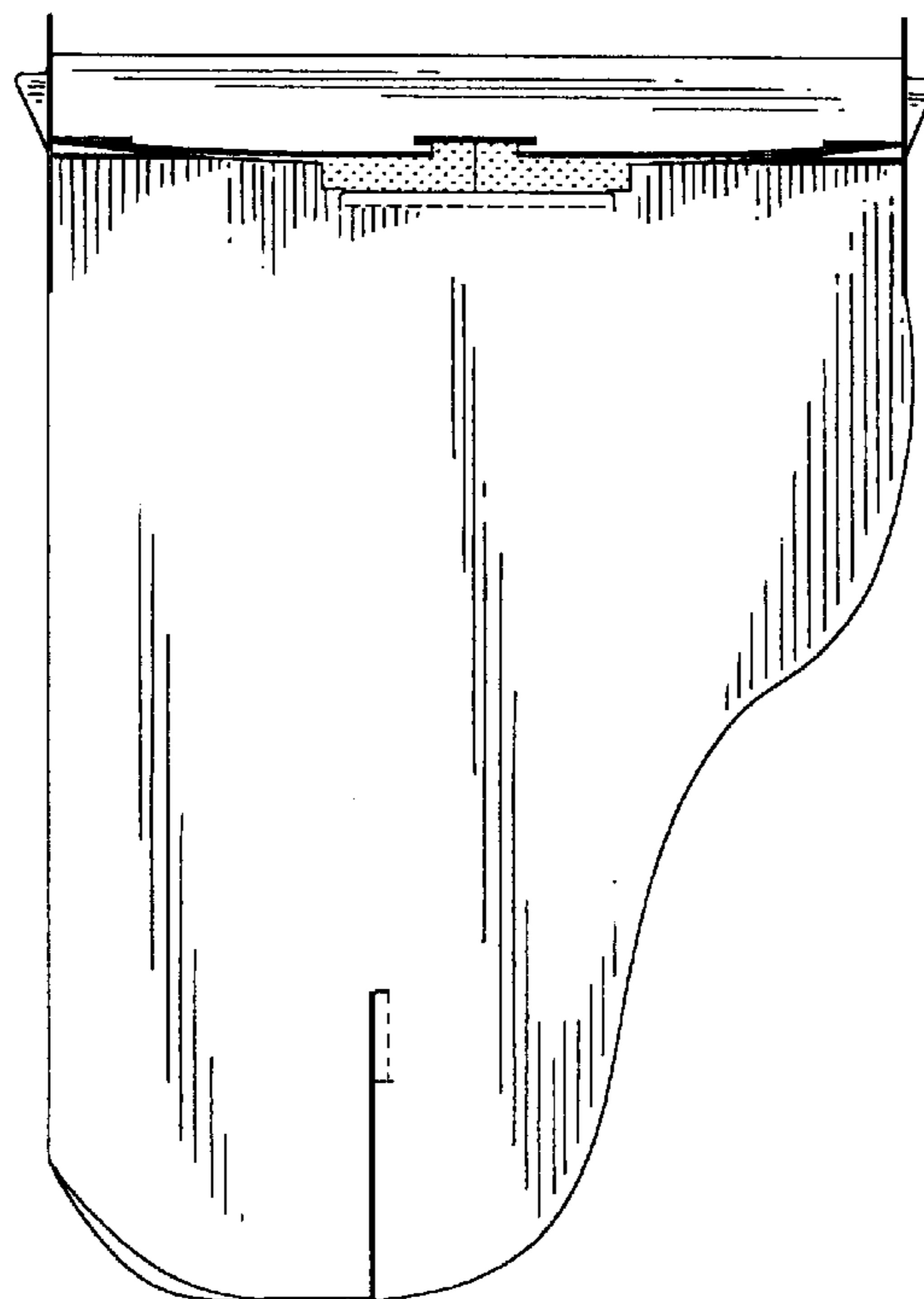


FIG. 12

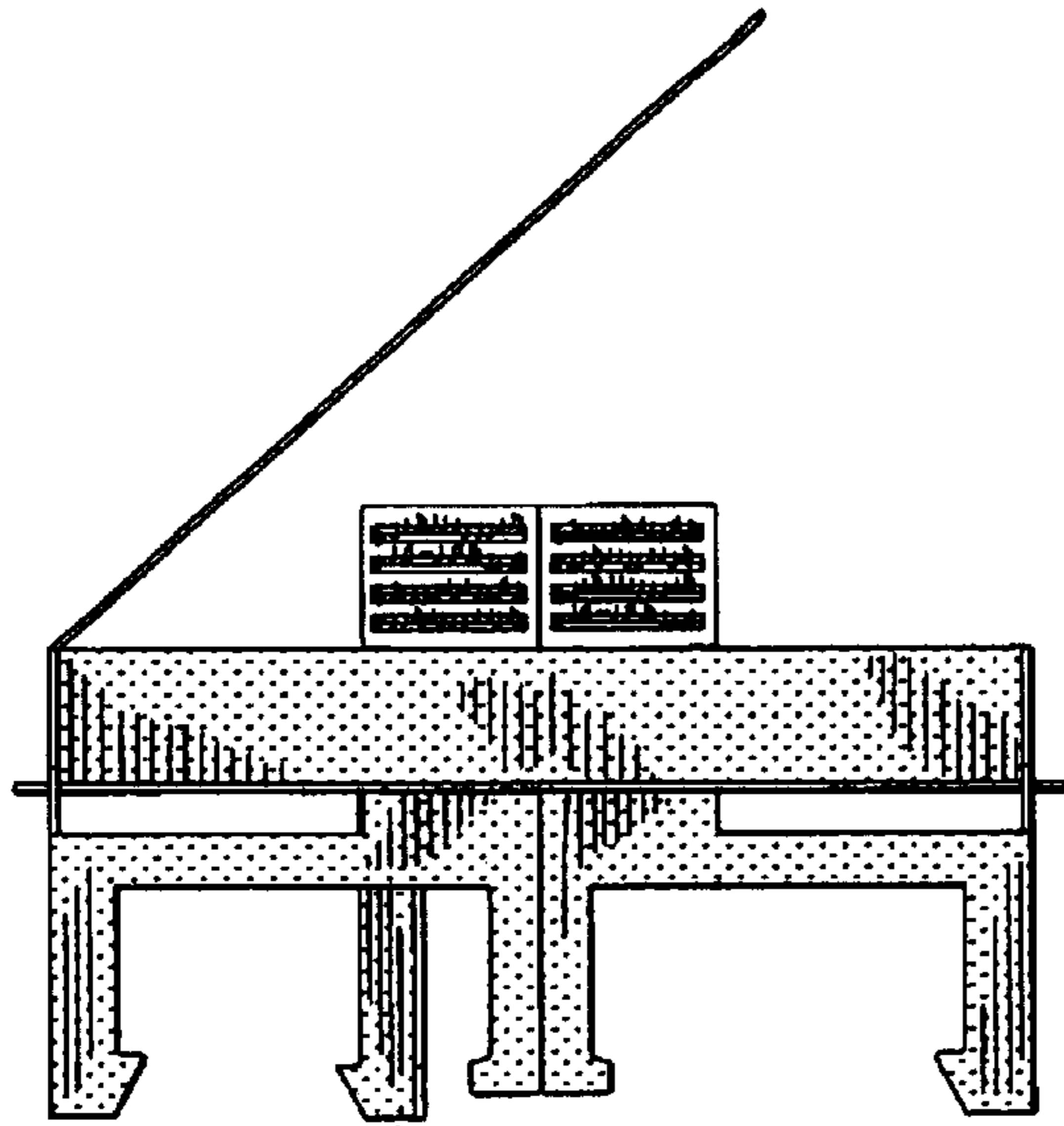


FIG. 13

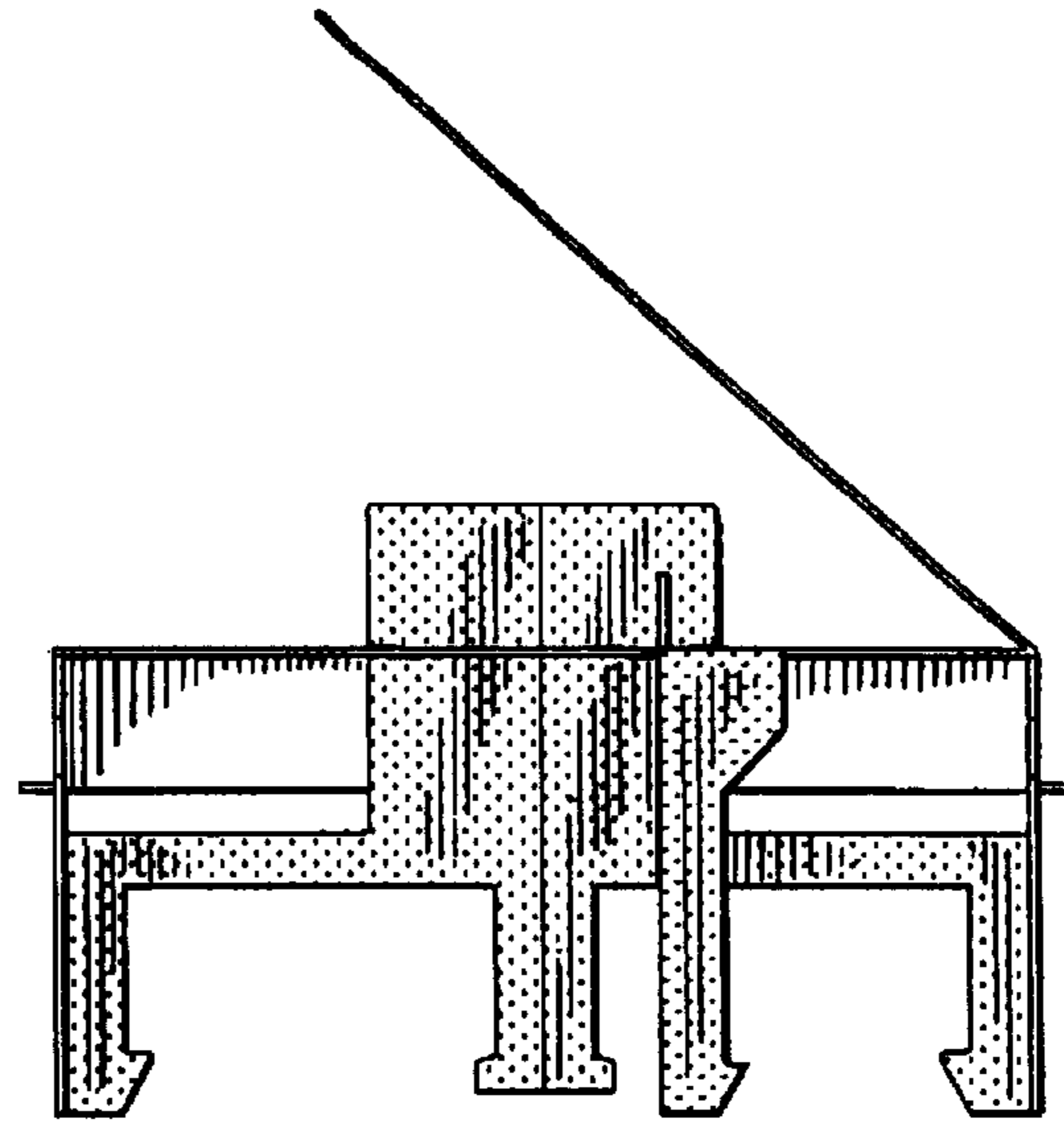


FIG. 14

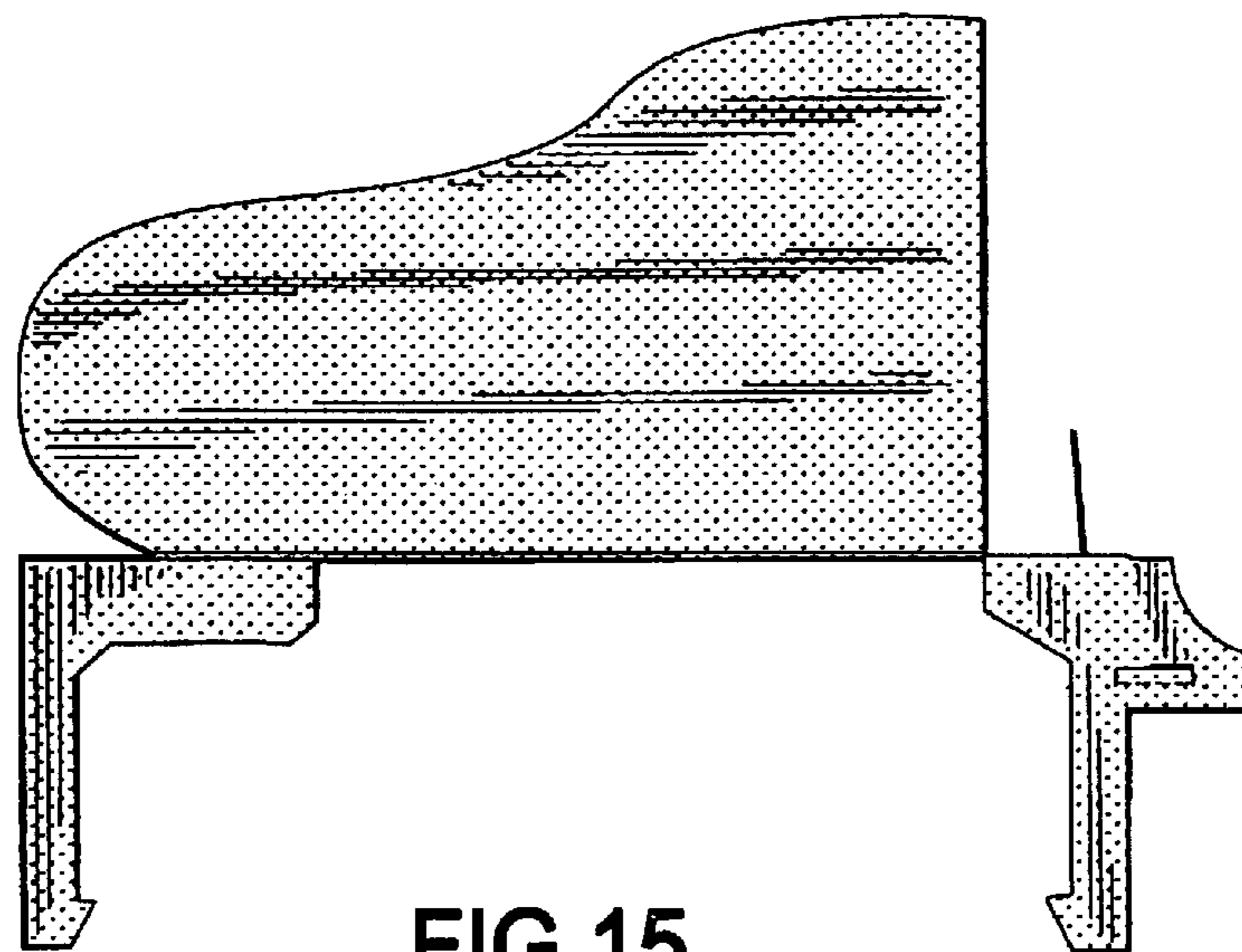


FIG. 15

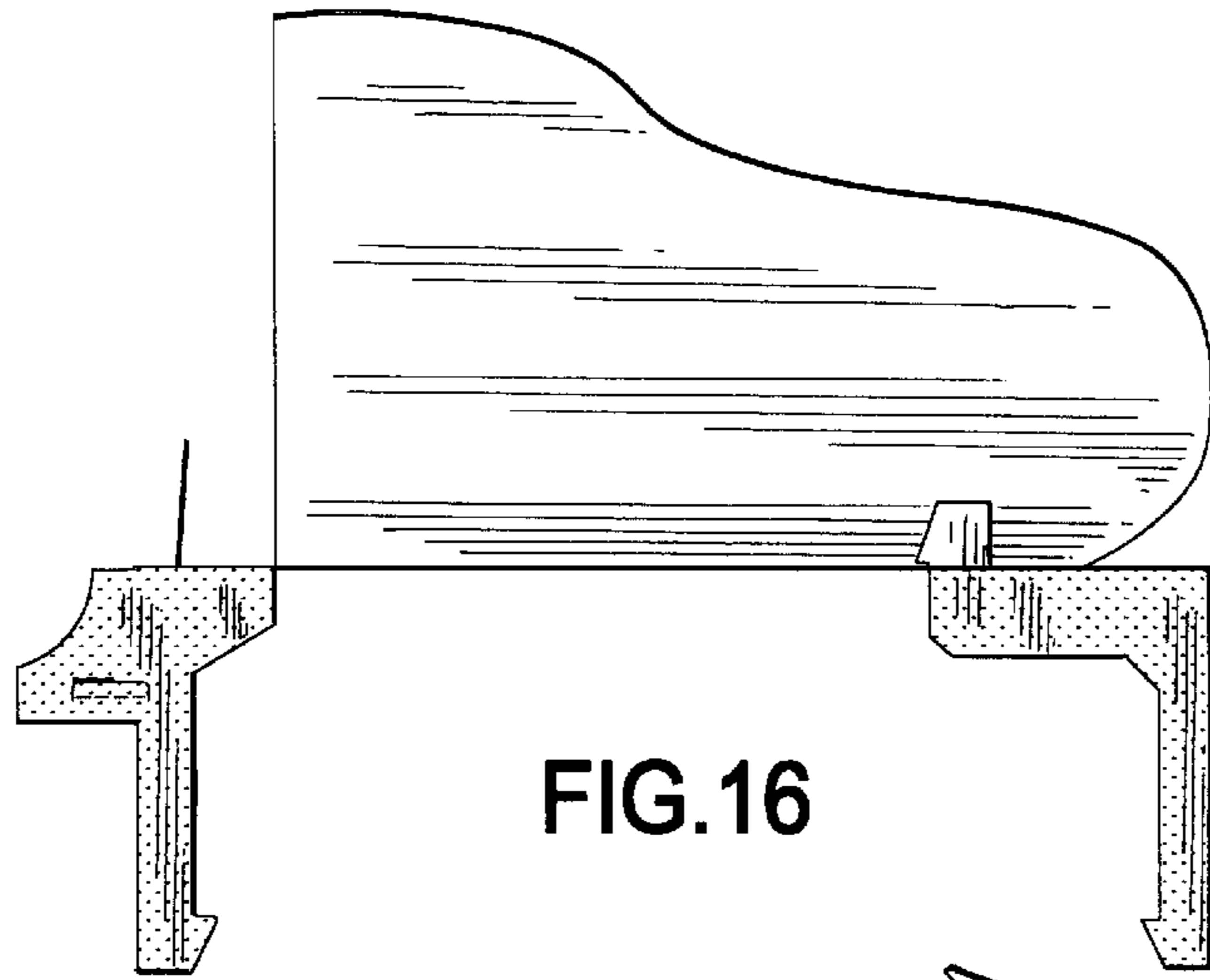


FIG.16

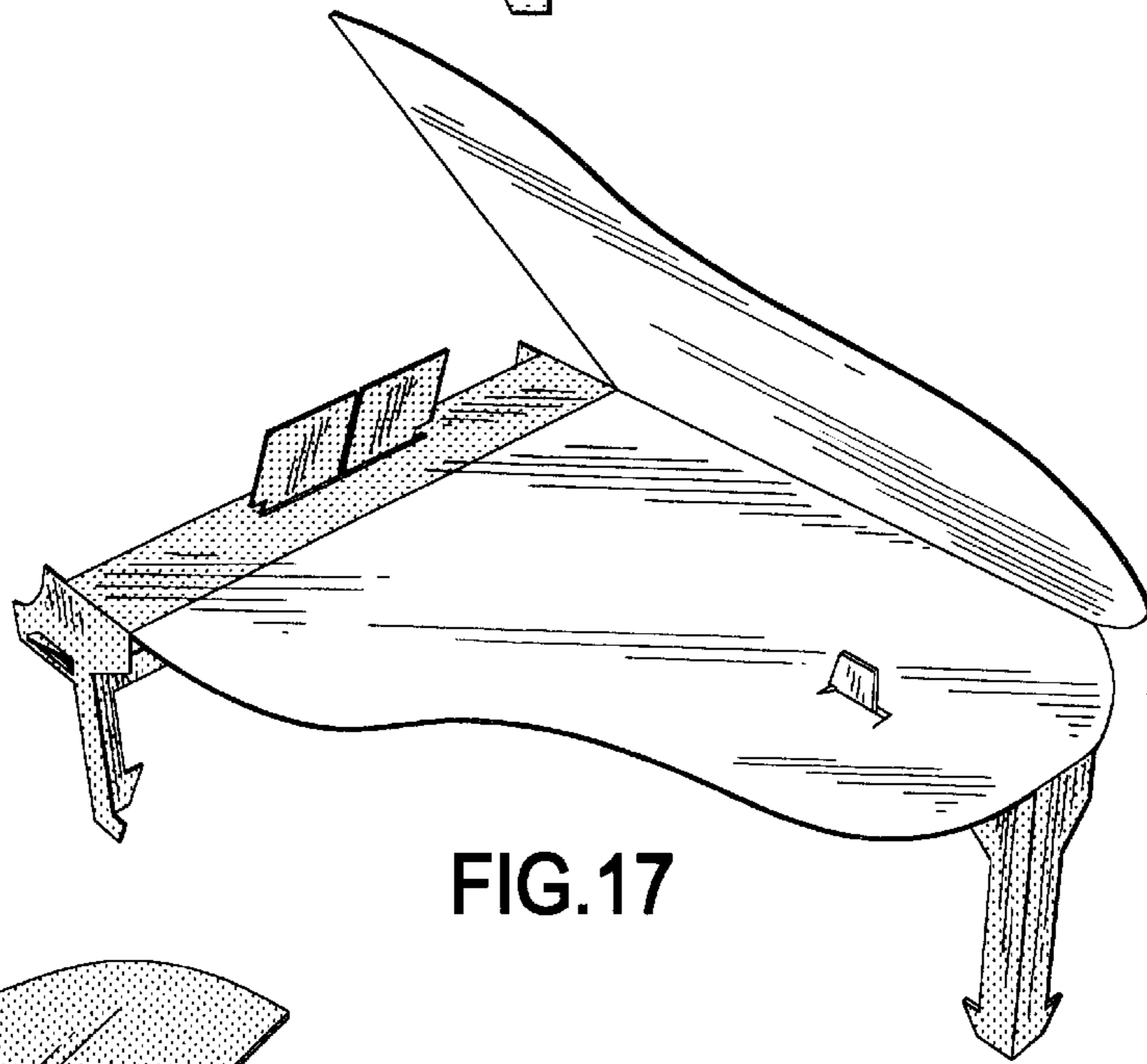


FIG.17

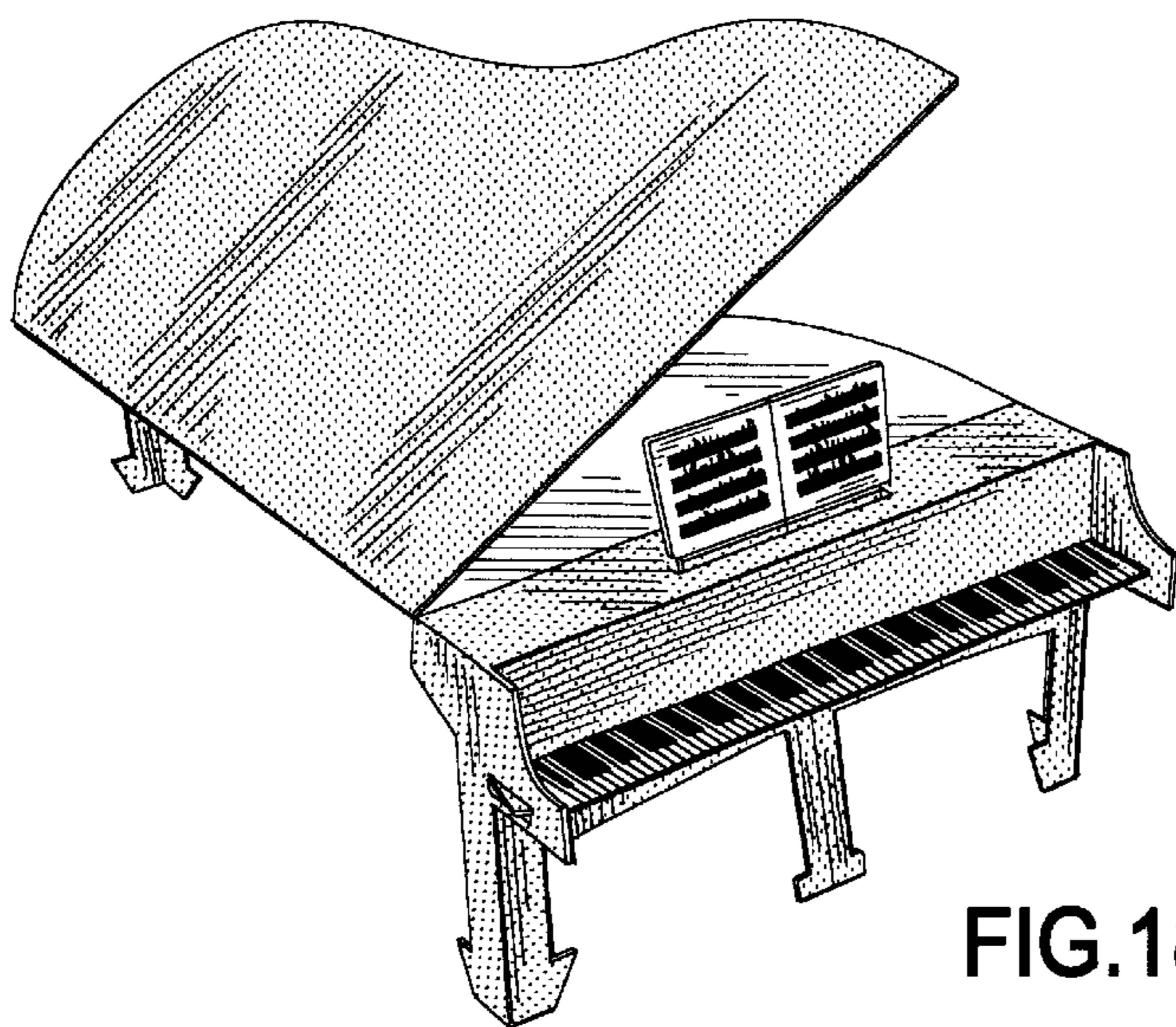


FIG.18