



US00D514468S

(12) **United States Design Patent**  
**Roberts-Shea**

(10) **Patent No.:** **US D514,468 S**

(45) **Date of Patent:** **\*\* Feb. 7, 2006**

(54) **RING**

(76) **Inventor:** **Marthe Roberts-Shea, 7734 Union Ave., Elkins Park, PA (US) 19027**

(\*\*) **Term:** **14 Years**

(21) **Appl. No.:** **29/207,402**

(22) **Filed:** **Jun. 14, 2004**

**Related U.S. Application Data**

(63) Continuation of application No. 10/863,964, filed on Jun. 9, 2004.

(51) **LOC (8) Cl.** ..... **11-01**

(52) **U.S. Cl.** ..... **D11/26; D11/35**

(58) **Field of Classification Search** ..... **D11/3, D11/26-29, 90-92; 63/15, 15.1-15.4, 15.45, 63/15.5-15.6, 15.65, 15.7-15.9, 26-28**  
See application file for complete search history.

(56) **References Cited**

**U.S. PATENT DOCUMENTS**

- D176,265 S \* 12/1955 Katz ..... D11/34
- D265,808 S \* 8/1982 Barr ..... D11/26
- D309,277 S \* 7/1990 Mejias ..... D11/27
- D365,038 S \* 12/1995 Merritt ..... D11/26

- D438,137 S \* 2/2001 Grisoni ..... D11/26
- D444,408 S \* 7/2001 Goulet Mauboussin ..... D11/26
- 6,766,659 B1 \* 7/2004 Varga ..... 63/15
- D494,082 S \* 8/2004 Hardy ..... D11/26

\* cited by examiner

*Primary Examiner*—Louis S. Zarfaz

*Assistant Examiner*—Melanie Levy

(74) *Attorney, Agent, or Firm*—Roberts Abokhair & Mardula, LLC

(57) **CLAIM**

I claim the ornamental design for a ring, as shown and described.

**DESCRIPTION**

FIG. 1 is a perspective view of a ring showing my new design;  
 FIG. 2 is a front elevational view thereof;  
 FIG. 3 is a side elevational view thereof, the left and right sides being identical;  
 FIG. 4 is a bottom plan view thereof;  
 FIG. 5 is a top plan view thereof; and,  
 FIG. 6 is another perspective view thereof.  
 The broken lines are for illustrative purposes only and form no part of the claimed design.

**1 Claim, 3 Drawing Sheets**

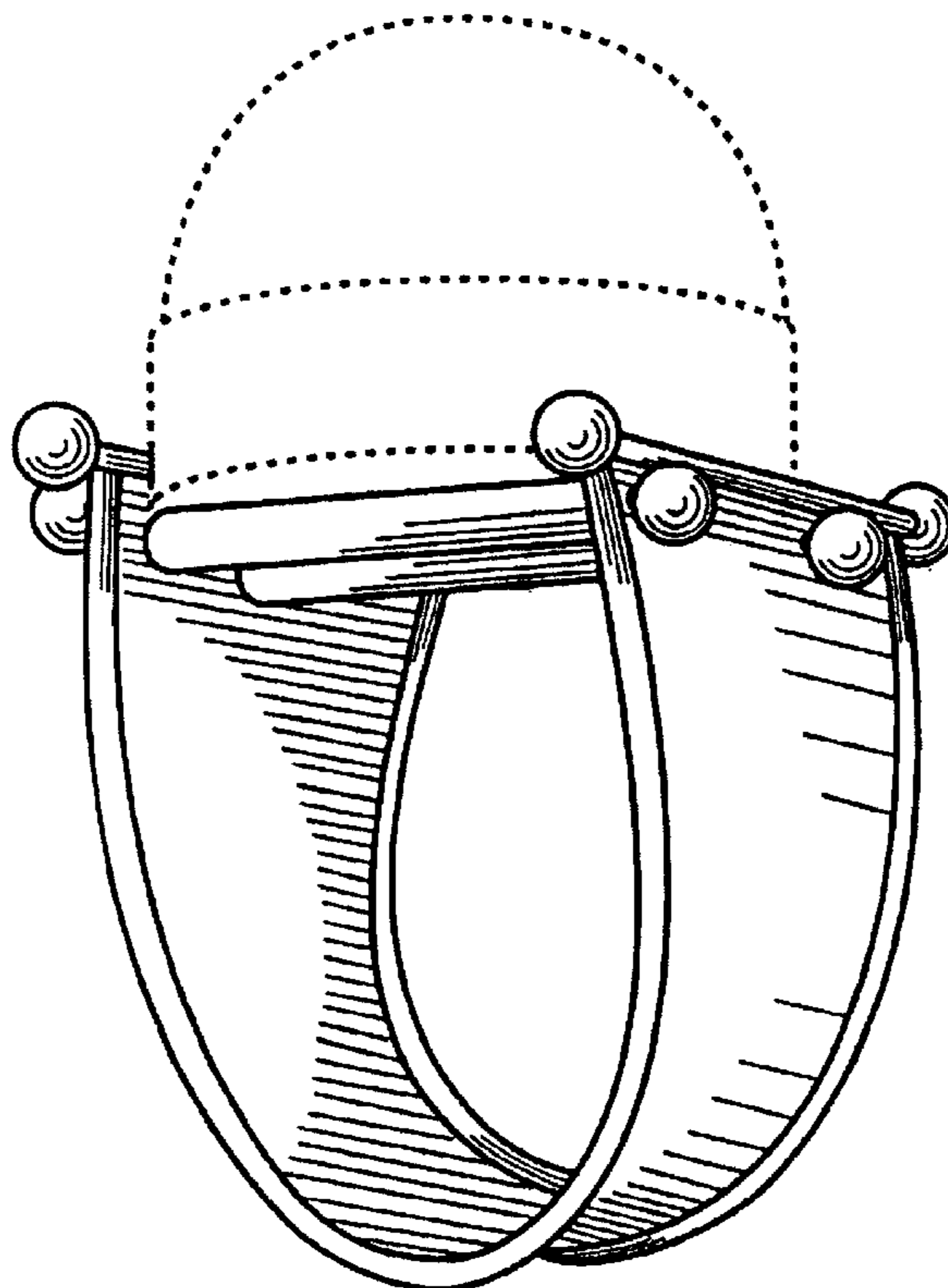


Fig. 1

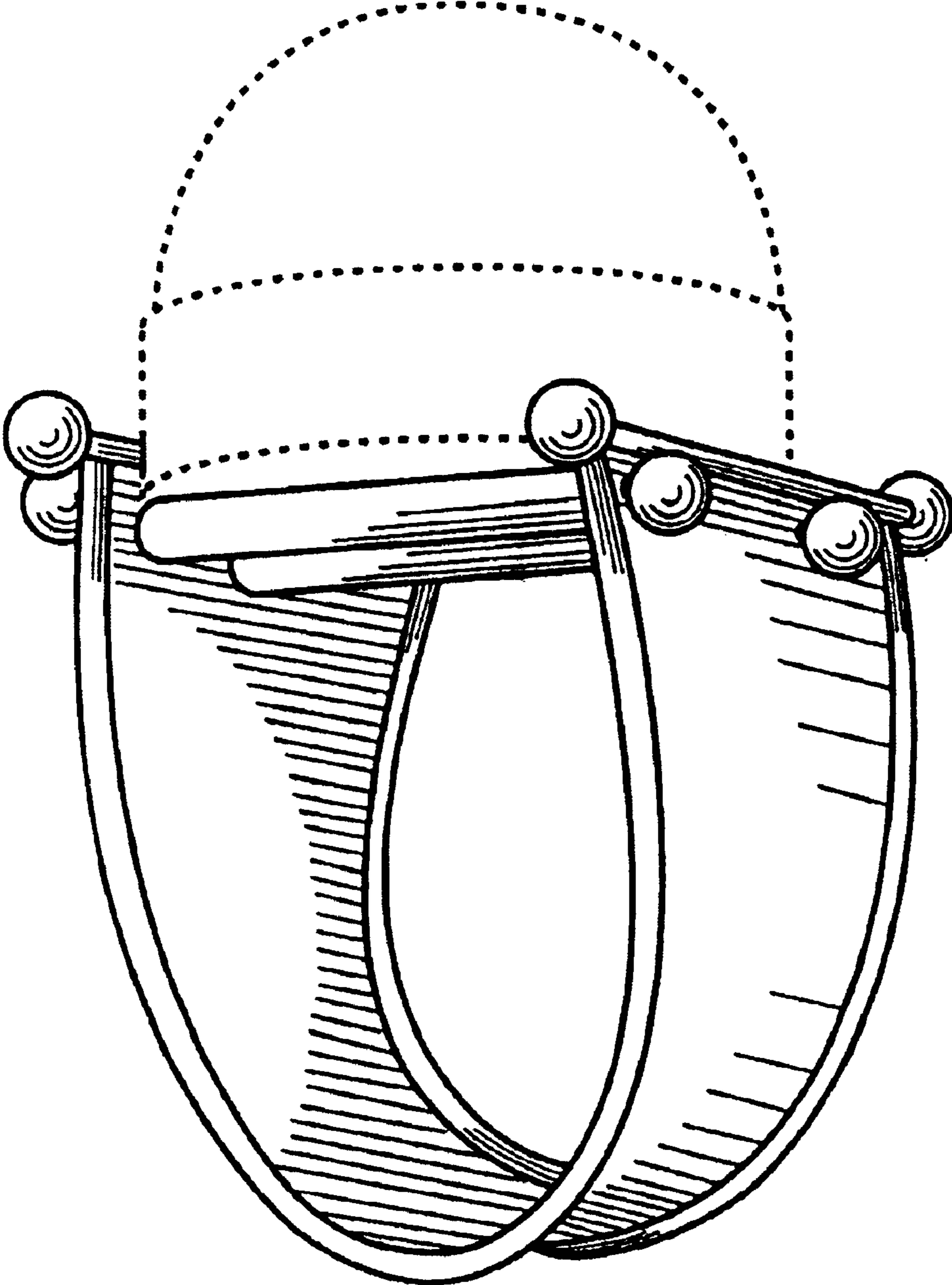


Fig. 5

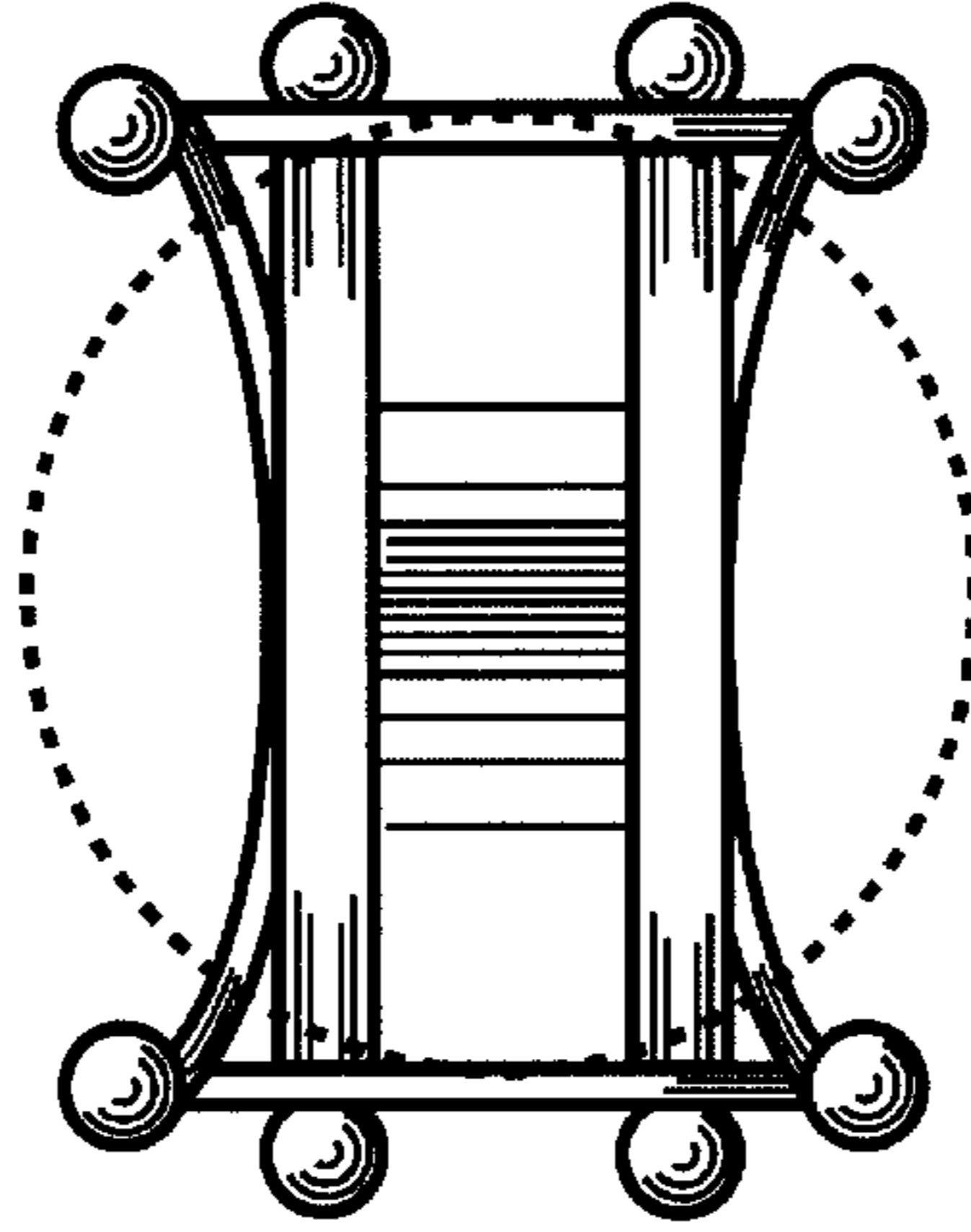


Fig. 2

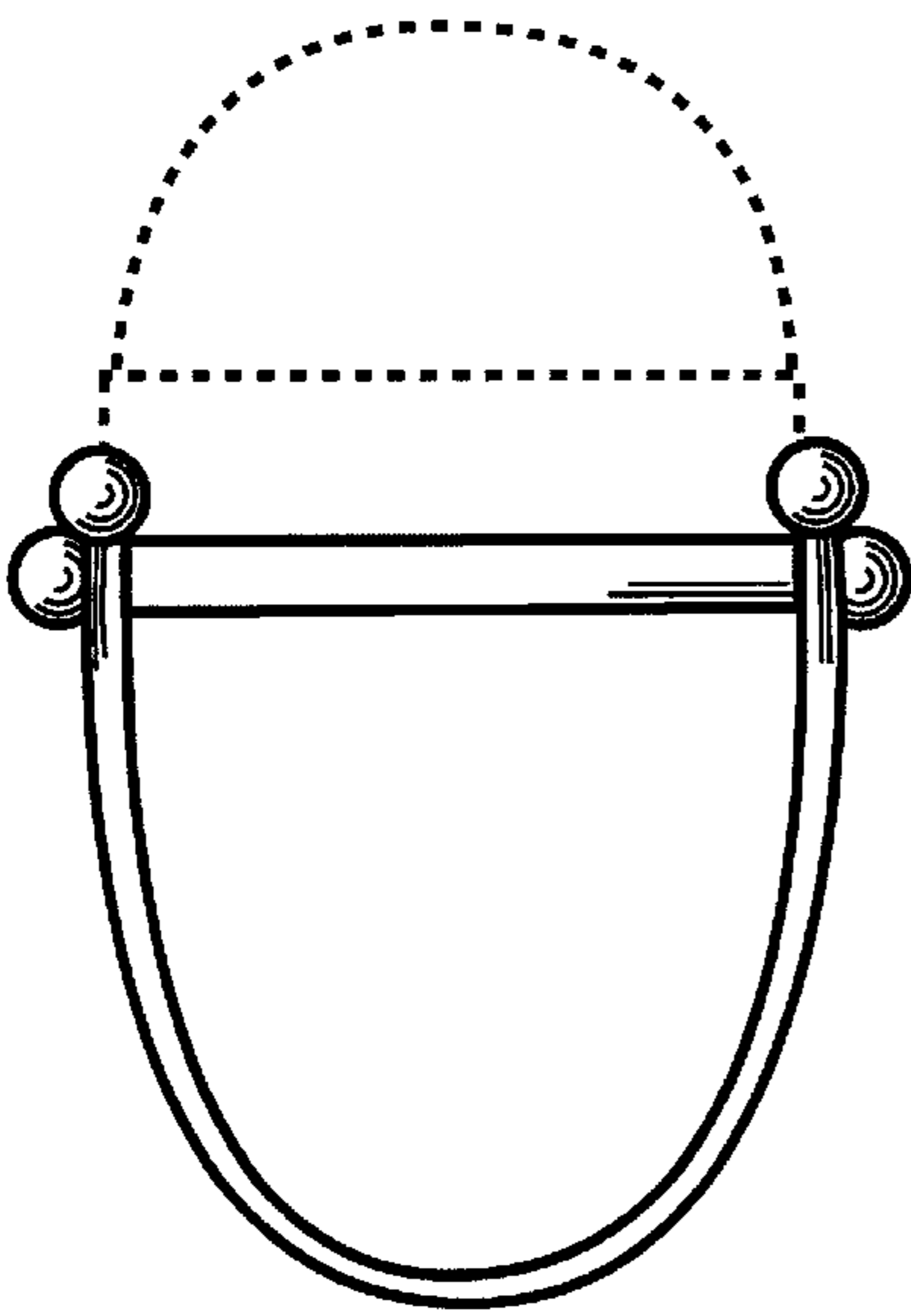


Fig. 3

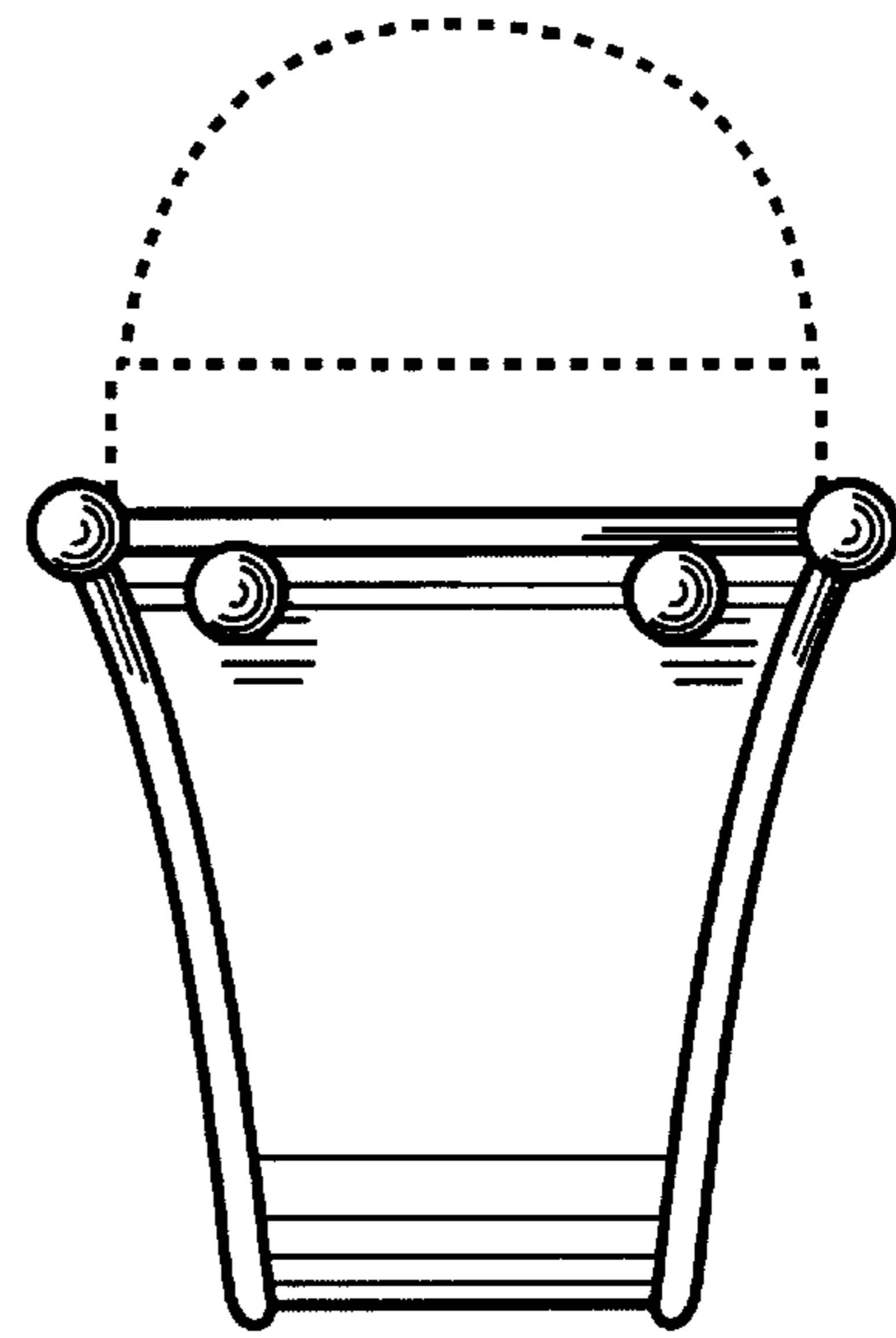


Fig. 4

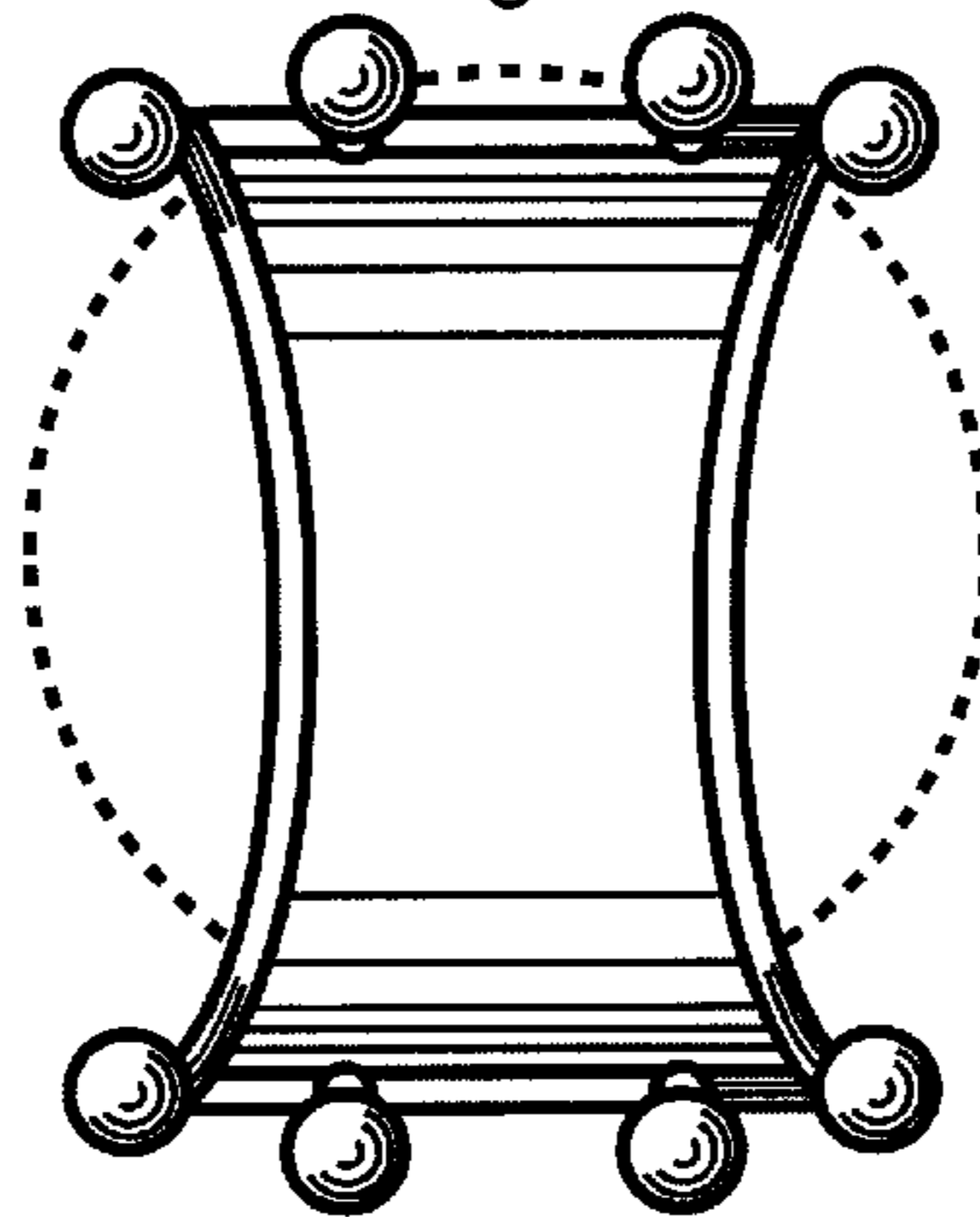


Fig. 6

