

US00D514466S

(12) **United States Design Patent** (10) **Patent No.:** **US D514,466 S**
Lai (45) **Date of Patent:** **** Feb. 7, 2006**

(54) **BACKUP ALARM**

(76) **Inventor:** **Hsi-Chi Lai**, 1F, No. 9, Lane 30,
Tai-Ho Street, Chung-Ho City, Taipei
Hsien (TW)

(**) **Term:** **14 Years**

(21) **Appl. No.:** **29/217,701**

(22) **Filed:** **Nov. 19, 2004**

(51) **LOC (8) Cl.** **10-06**

(52) **U.S. Cl.** **D10/120**

(58) **Field of Classification Search** D26/28,
D26/1; D10/120, 119, 116, 111, 104, 102;
340/463, 436, 435, 384.4, 384.1

See application file for complete search history.

(56) **References Cited**

U.S. PATENT DOCUMENTS

| | | | | | |
|-------------|---|---------|-------------------|-------|---------|
| D205,957 S | * | 10/1966 | Nagel | | D26/28 |
| D237,648 S | * | 11/1975 | Cibie | | D26/28 |
| 4,603,317 A | * | 7/1986 | Gailbreath et al. | | 340/463 |
| D313,195 S | * | 12/1990 | Memmola | | D10/120 |
| D338,165 S | * | 8/1993 | Gregori et al. | | D10/104 |
| D339,647 S | * | 9/1993 | Kawashima et al. | | D26/24 |

| | | | | | |
|-----------------|---|---------|---------------|-------|---------|
| D347,596 S | * | 6/1994 | Jackson | | D10/106 |
| D397,635 S | * | 9/1998 | Chu | | D10/120 |
| D397,636 S | * | 9/1998 | Chu | | D10/120 |
| D452,454 S | * | 12/2001 | Bekasi et al. | | D10/120 |
| D453,306 S | * | 2/2002 | Bekasi | | D10/120 |
| D485,201 S | * | 1/2004 | Corrigan | | D10/120 |
| 2001/0043142 A1 | * | 11/2001 | Milliken | | 340/463 |

* cited by examiner

Primary Examiner—Cathron C. Brooks

Assistant Examiner—Austin Murphy

(57) **CLAIM**

The ornamental design for backup alarm, as shown and described.

DESCRIPTION

FIG. 1 is a perspective view of backup alarm showing my new design;

FIG. 2 is a front elevational view thereof;

FIG. 3 is a rear elevational view thereof;

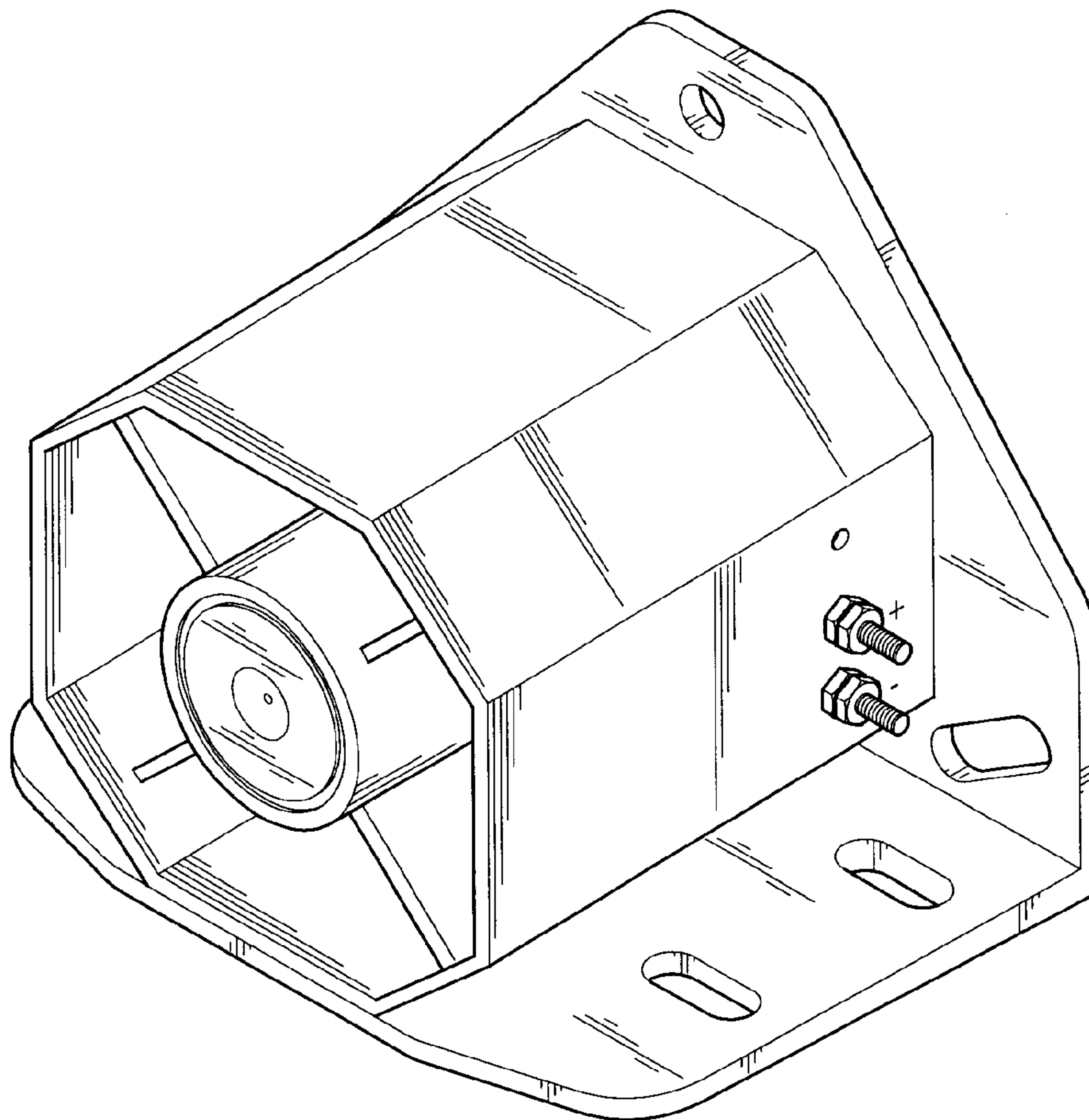
FIG. 4 is a left side elevational view thereof;

FIG. 5 is right side elevational view thereof;

FIG. 6 is a top view thereof; and,

FIG. 7 is a bottom view thereof.

1 Claim, 7 Drawing Sheets



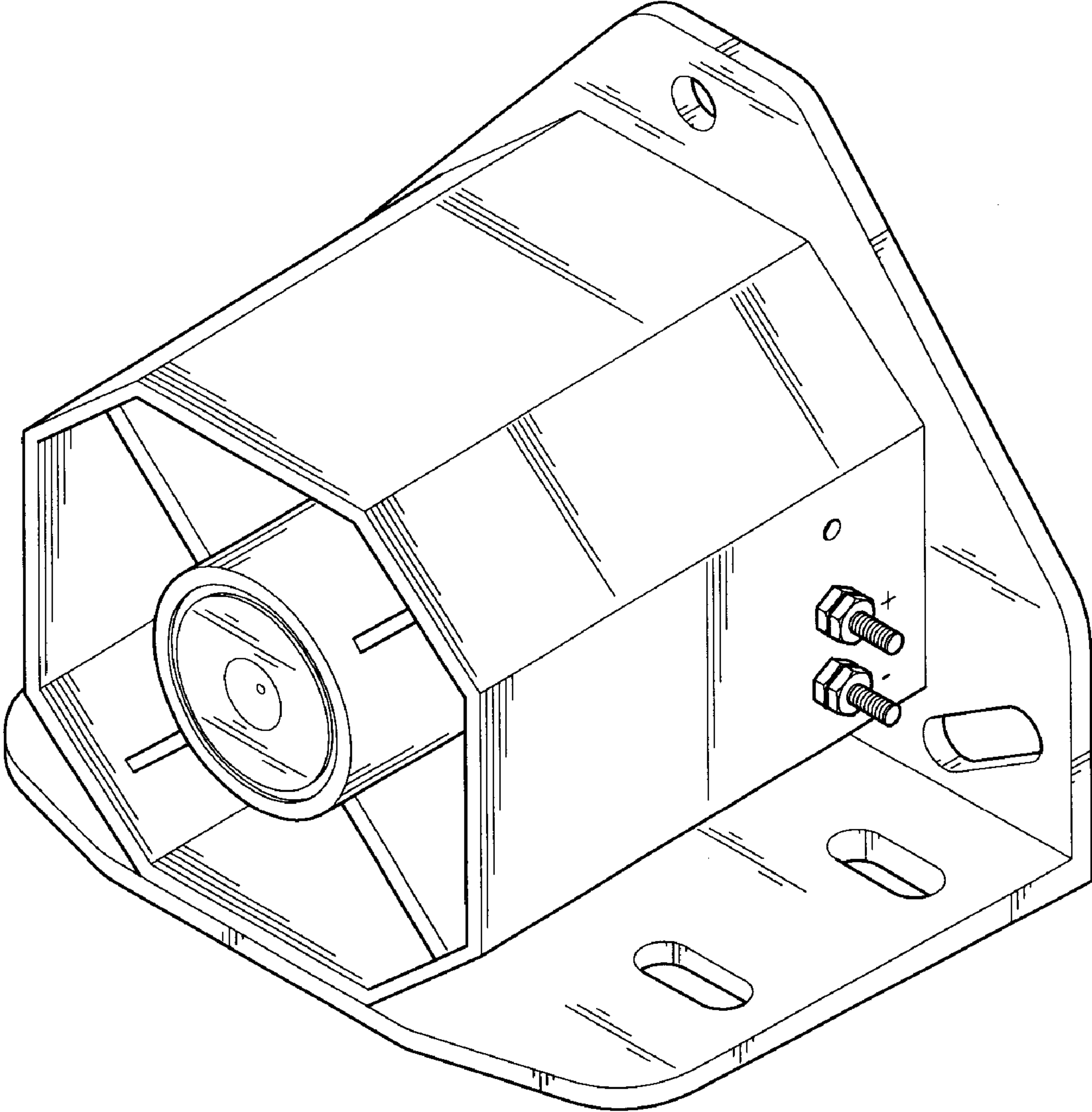


FIG. 1

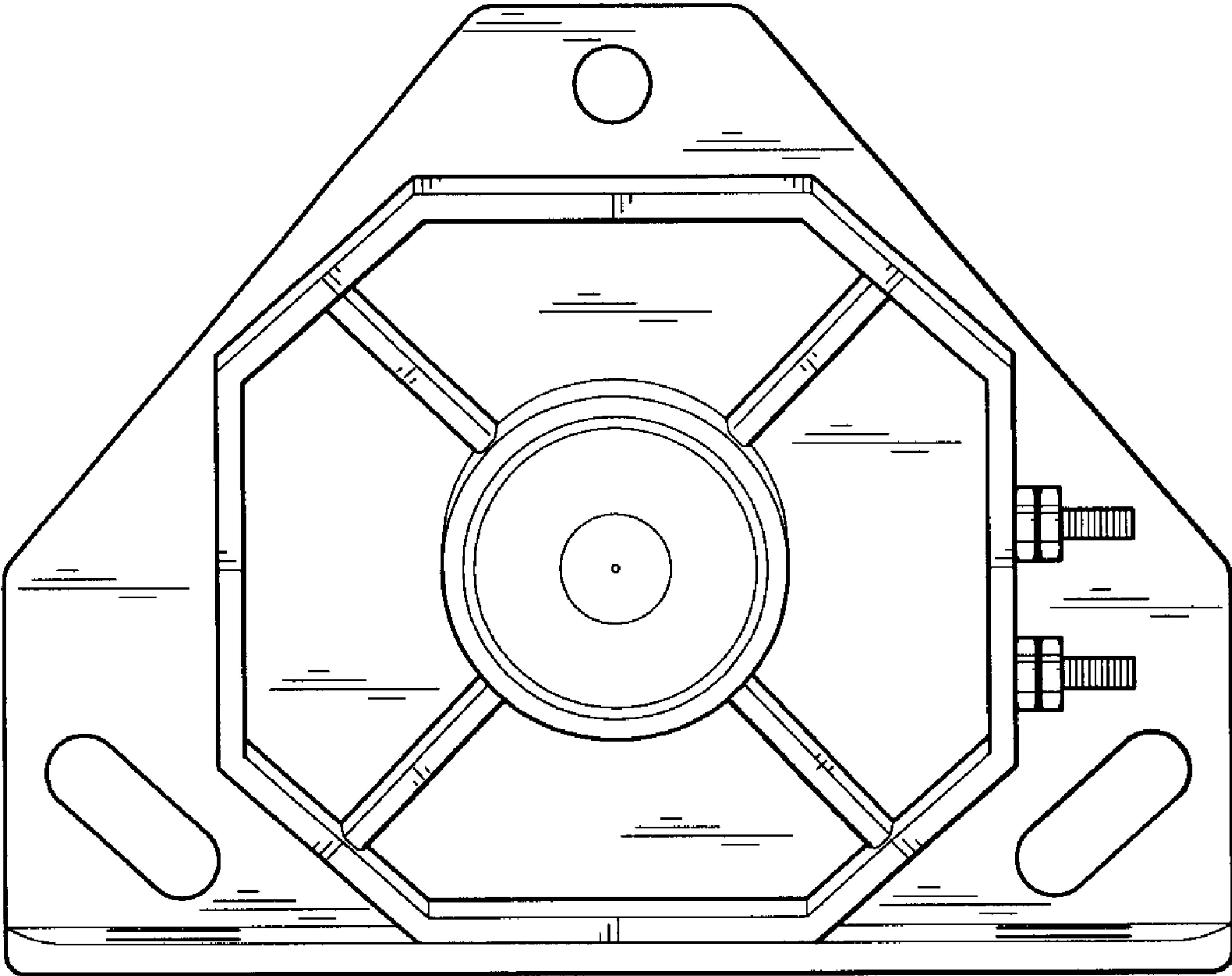


FIG. 2

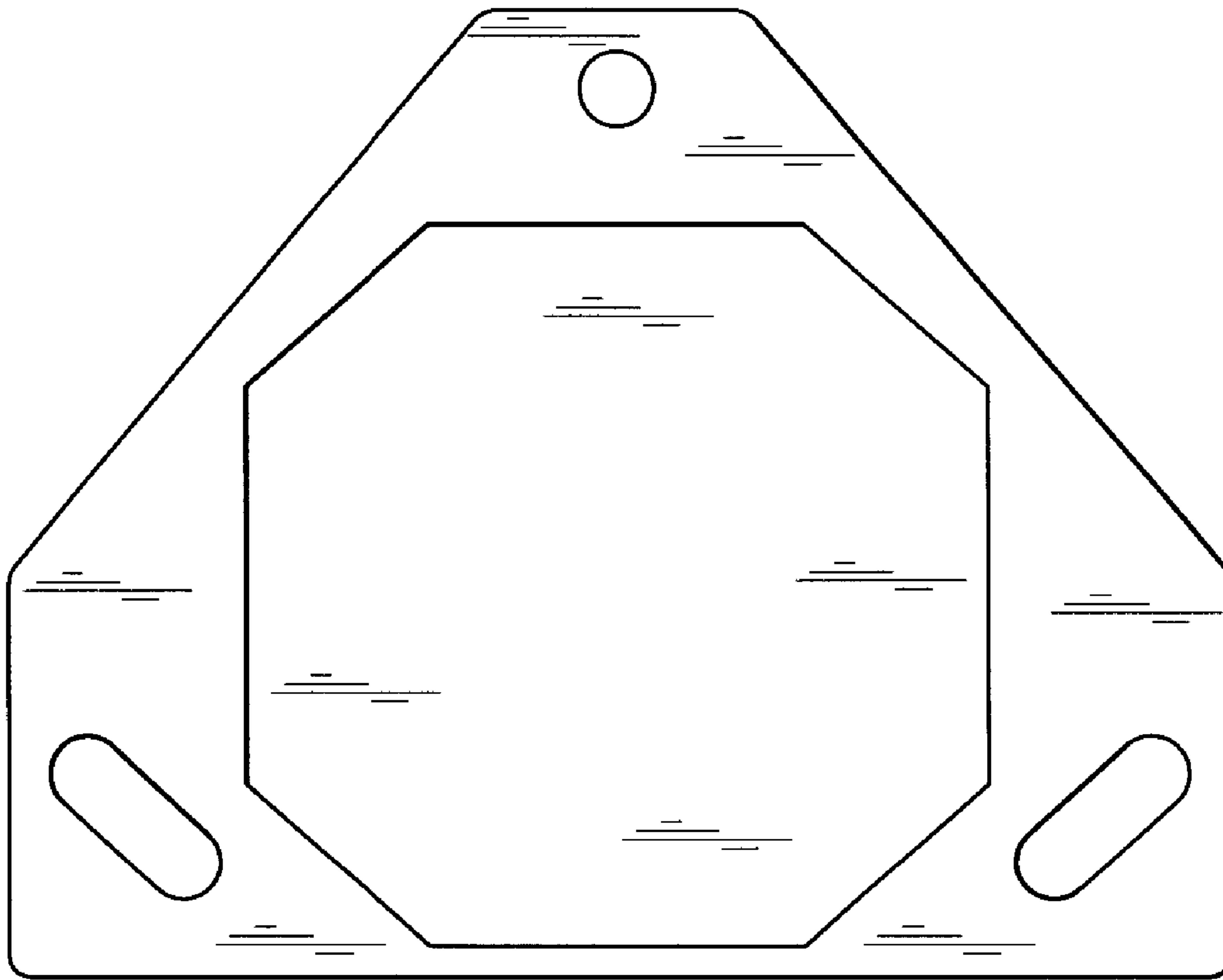


FIG. 3

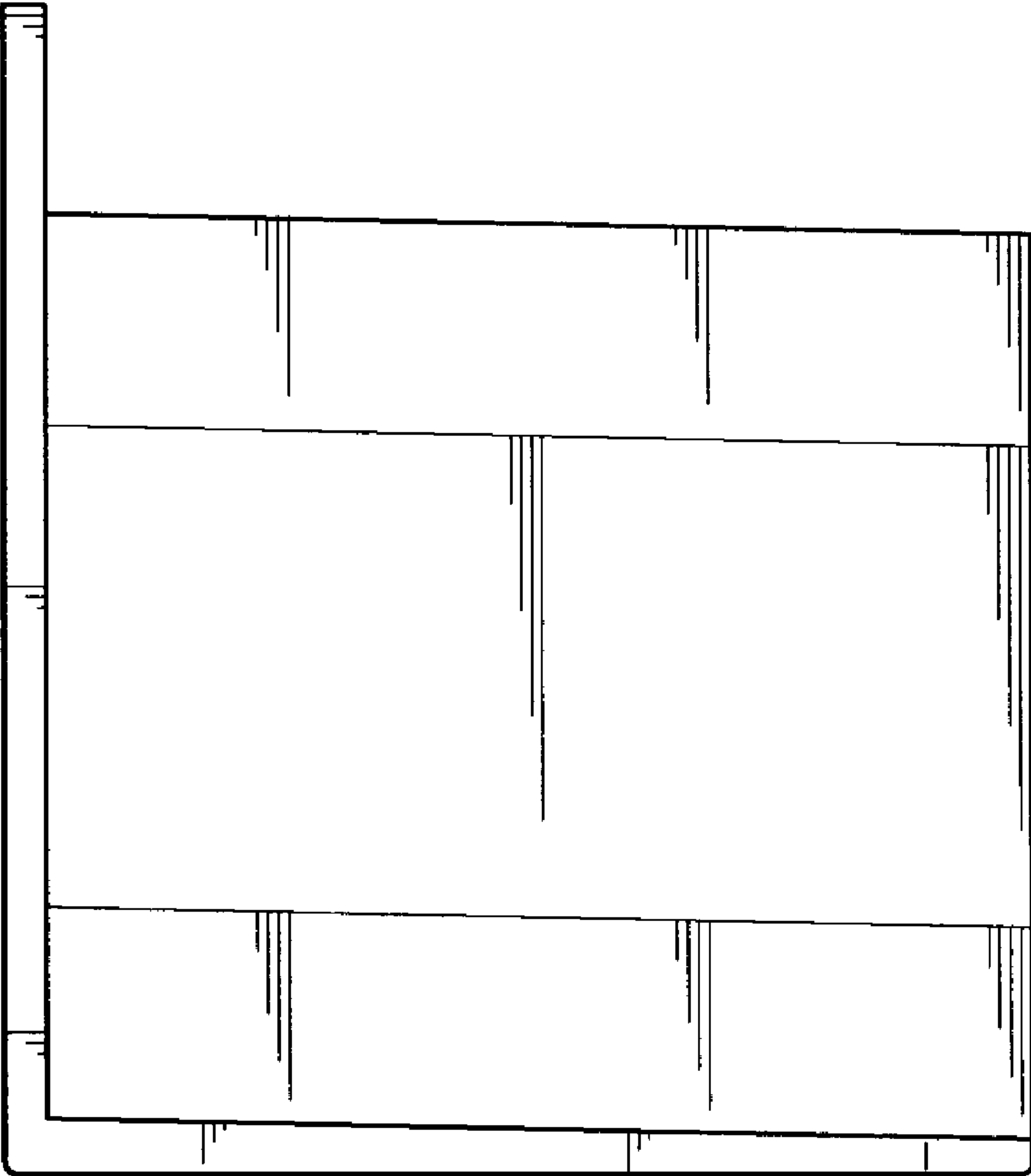


FIG. 4

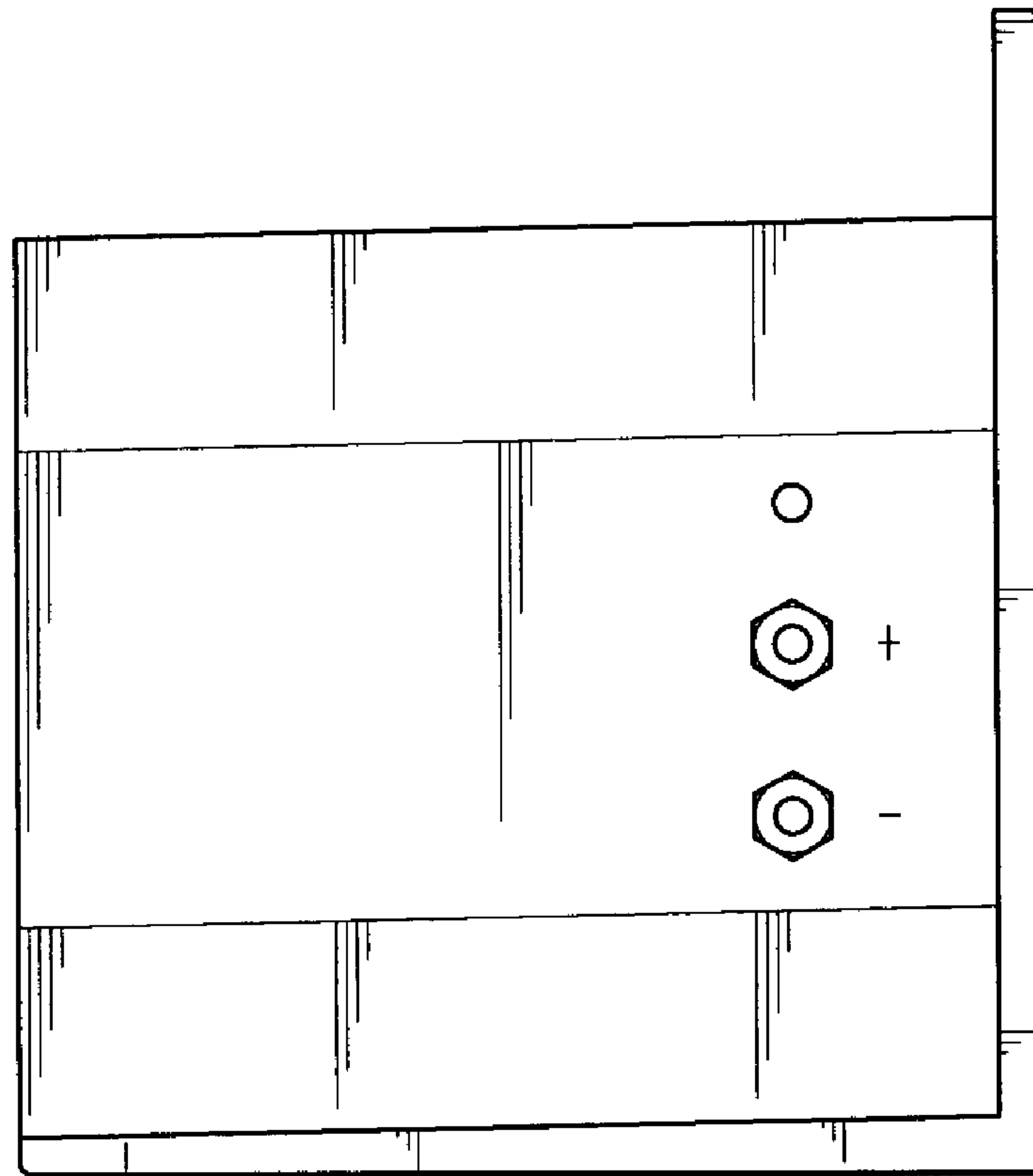


FIG. 5

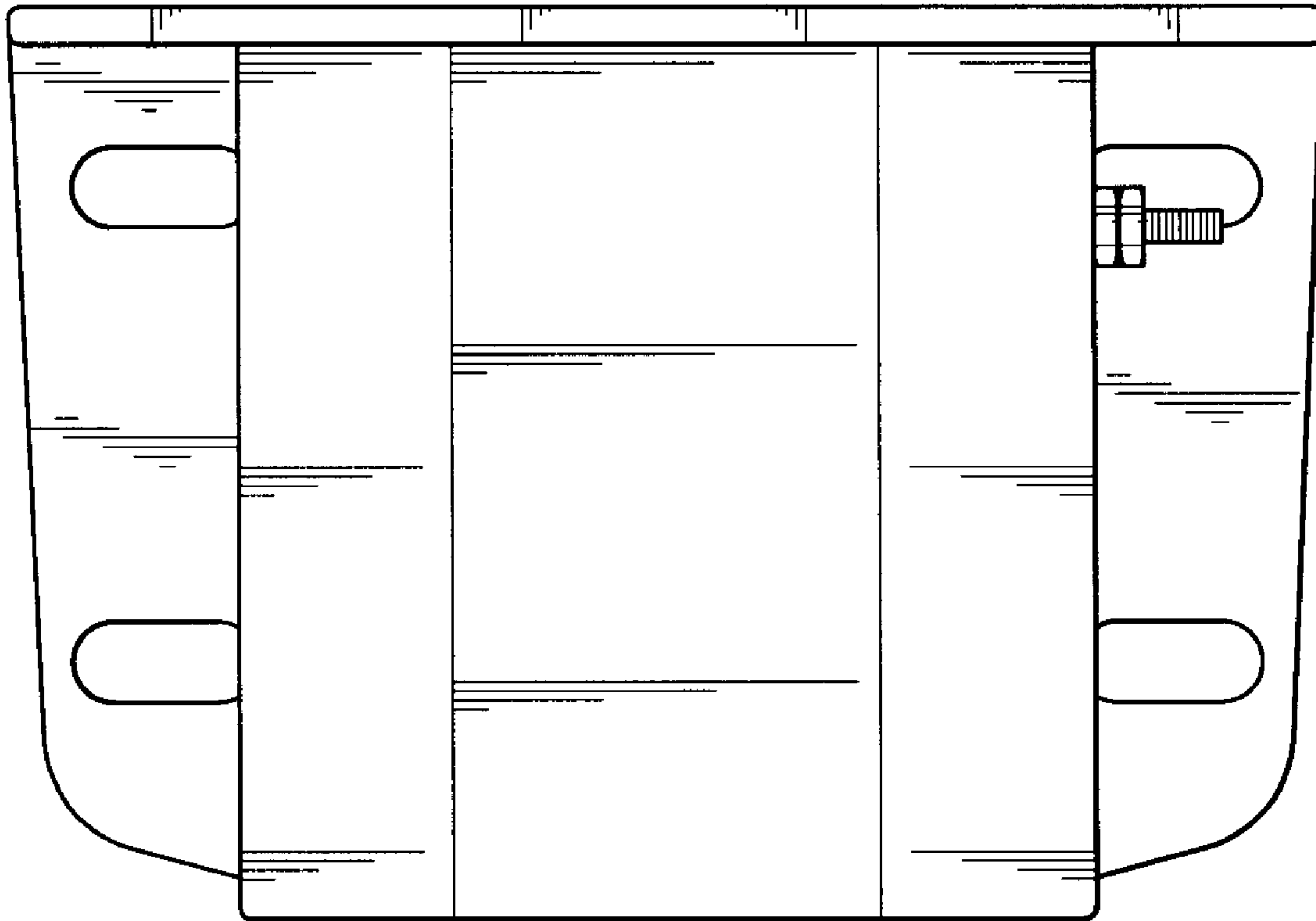


FIG. 6

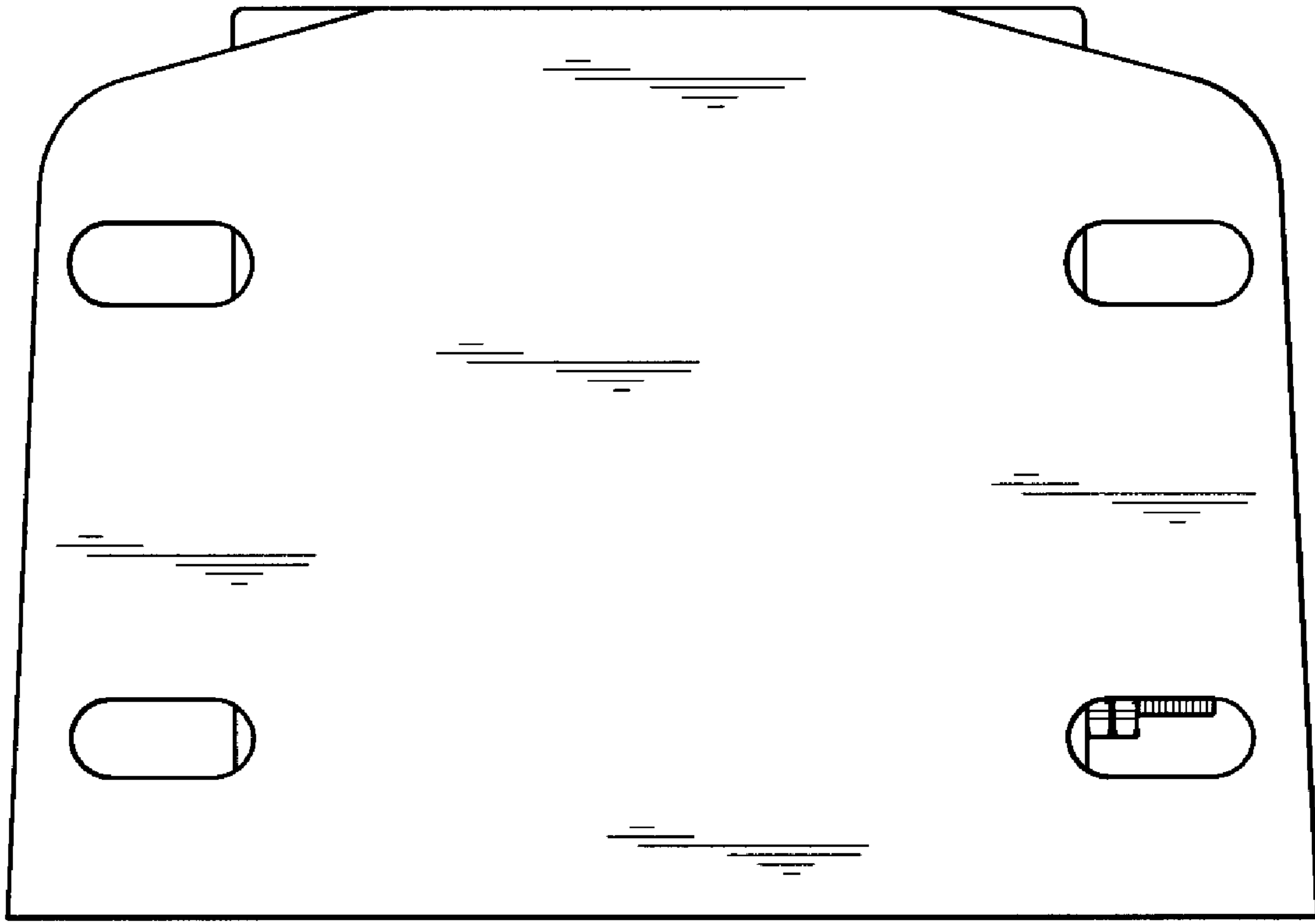


FIG. 7