



US00D514463S

(12) **United States Design Patent** (10) **Patent No.:** **US D514,463 S**
Levine (45) **Date of Patent:** **** Feb. 7, 2006**

(54) **PORTABLE, SPRING-BASED CONE**

(75) **Inventor:** **Jonathan Levine**, New York, NY (US)

(73) **Assignee:** **Team Products International, Inc.**, Parsippany, NJ (US)

(**) **Term:** **14 Years**

(21) **Appl. No.:** **29/205,777**

(22) **Filed:** **May 19, 2004**

(51) **LOC (8) Cl.** **10-05**

(52) **U.S. Cl.** **D10/109**

(58) **Field of Classification Search** D26/85,
D26/44, 36, 28, 124; D10/114, 113, 109,
D10/104; 404/9, 72, 16, 12-15, 10, 6; 362/311;
359/547, 531; 340/908, 908.1, 815.45, 332;
116/63 P, 63 R, 63 C; 434/99; 40/612
See application file for complete search history.

(56) **References Cited**

U.S. PATENT DOCUMENTS

2,275,711	A	3/1942	Ybanez	
2,762,328	A	9/1956	Weig	
2,800,099	A *	7/1957	Baker	116/63 R
2,808,803	A *	10/1957	Weig	116/63 R
2,954,005	A	9/1960	Cioffi et al.	
3,132,624	A	5/1964	Shoemaker, Jr.	
3,520,235	A *	7/1970	Fama et al.	116/63 R
4,006,702	A	2/1977	St. Cyr	
4,197,807	A	4/1980	Campbell	
4,256,050	A	3/1981	Barnard	
4,761,137	A *	8/1988	Taylor et al.	434/99
5,305,705	A	4/1994	Gagliano	
5,375,554	A	12/1994	Yen	
5,488,792	A	2/1996	Kwok	
5,529,429	A	6/1996	Pelegrin	
5,888,016	A *	3/1999	Ahn	404/10
6,338,311	B1	1/2002	Ho	
6,766,760	B2 *	7/2004	Garcia	116/63 C
2004/0237875	A1 *	12/2004	Garcia	116/63 C
2004/0250744	A1 *	12/2004	Garcia	116/63 C
2005/0076822	A1 *	4/2005	Levine	116/63 C

OTHER PUBLICATIONS

Advertisement for "Collapsible 16" Sport & Safety Cone by Victor," downloaded from <http://www.autobarn.net/vicol6spsaco.html?AID=10274001&PID=1408109> on Aug. 25, 2004, 1 p.

* cited by examiner

Primary Examiner—Cathron C. Brooks

Assistant Examiner—Austin Murphy

(74) *Attorney, Agent, or Firm*—Klarquist Sparkman, LLP

(57) **CLAIM**

The ornamental design for a portable, spring-based cone, as shown and described.

DESCRIPTION

FIG. 1 is a front elevational view of a new design for a portable, spring-based cone.

FIG. 2 is a front perspective view of the new design of FIG. 1.

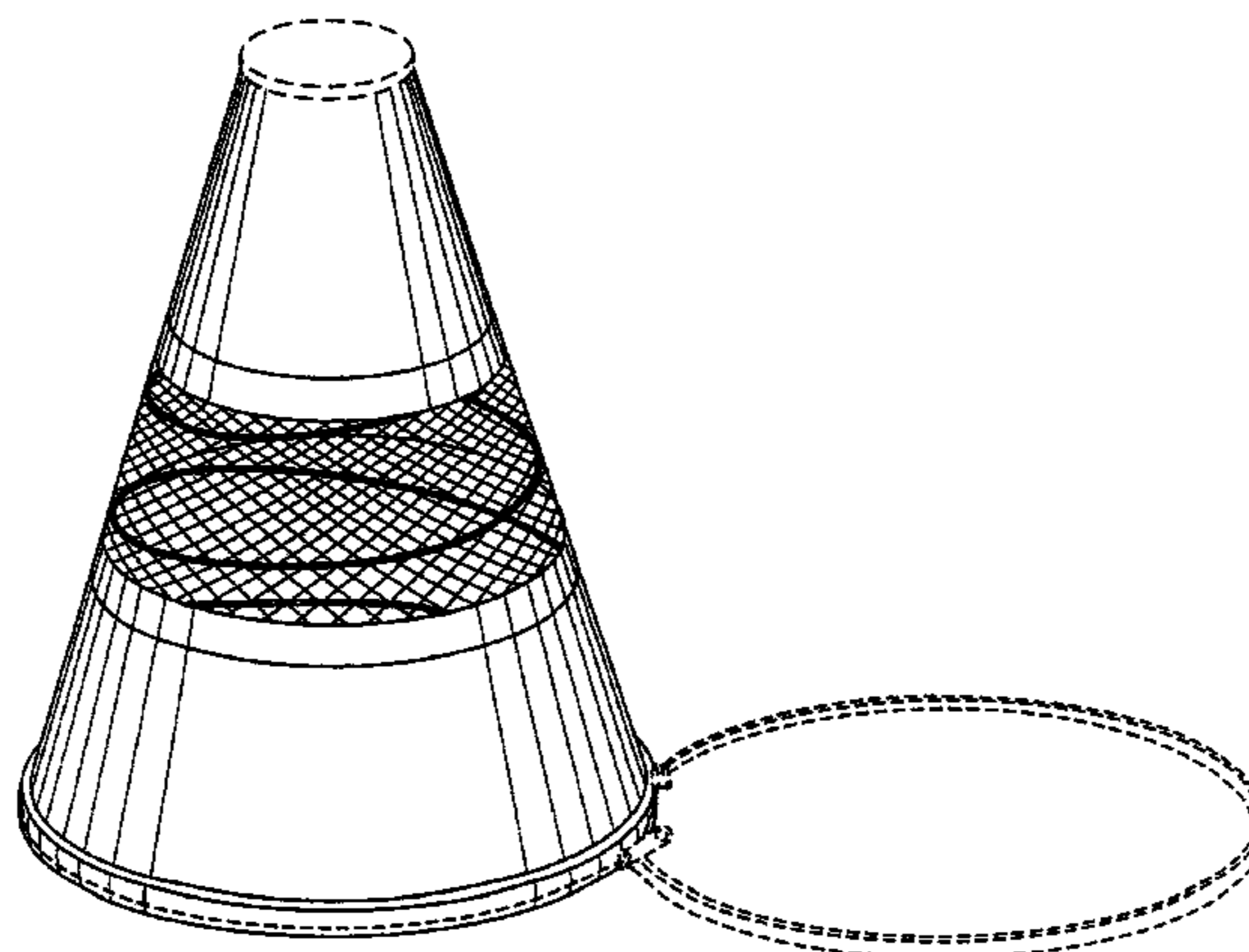
FIG. 3 is a right side perspective view of the new design of FIG. 1. The left side of the cone is not shown, but is the mirror image of the right side.

FIG. 4 is a right side elevational view of the new design of FIG. 1.

FIG. 5 is a back side elevational view of the new design of FIG. 1.

FIG. 6 is a top plan view of the new design of FIG. 1; and, FIG. 7 is a bottom plan view of the new design of FIG. 1. In all of the figures, the thin solid lines extending from the top of the cone to the base of the cone are shading lines used to indicate the contoured surface of the cone. Moreover, the webbed lines at the cone's mid-section are used to indicate a mesh forming a portion of the cone's body. Finally, the broken lines illustrated in the figures are not part of the design sought to be patented and are shown to illustrate the environment related to the claimed design. For example, in FIGS. 1, 2, 4, 5, 6, and 7, an unclaimed portion of the cover for the portable, spring-based cone is shown in a base configuration. By contrast, in FIG. 3, the unclaimed portion of the cover is shown in an open configuration.

1 Claim, 2 Drawing Sheets



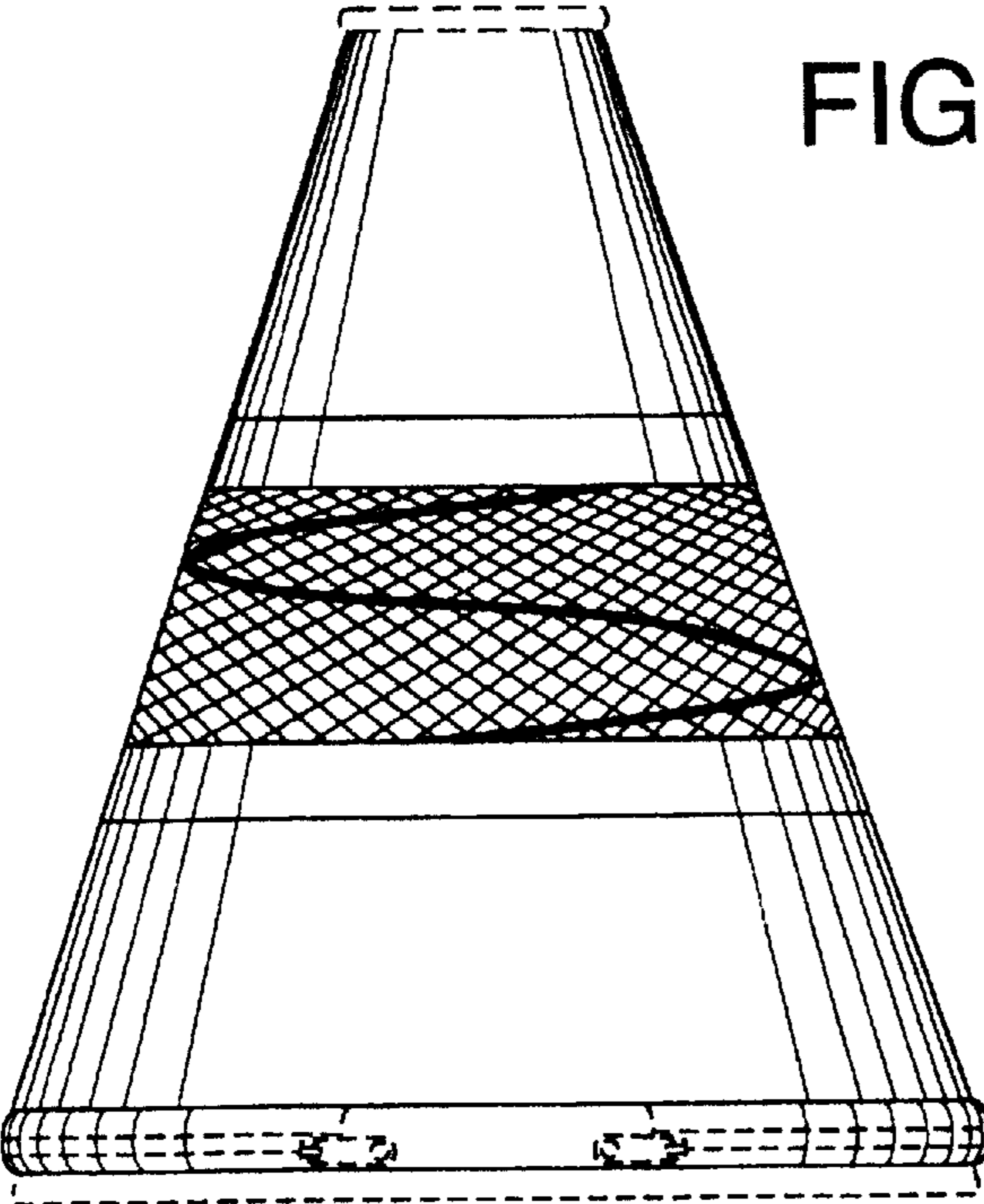


FIG. 1

FIG. 2

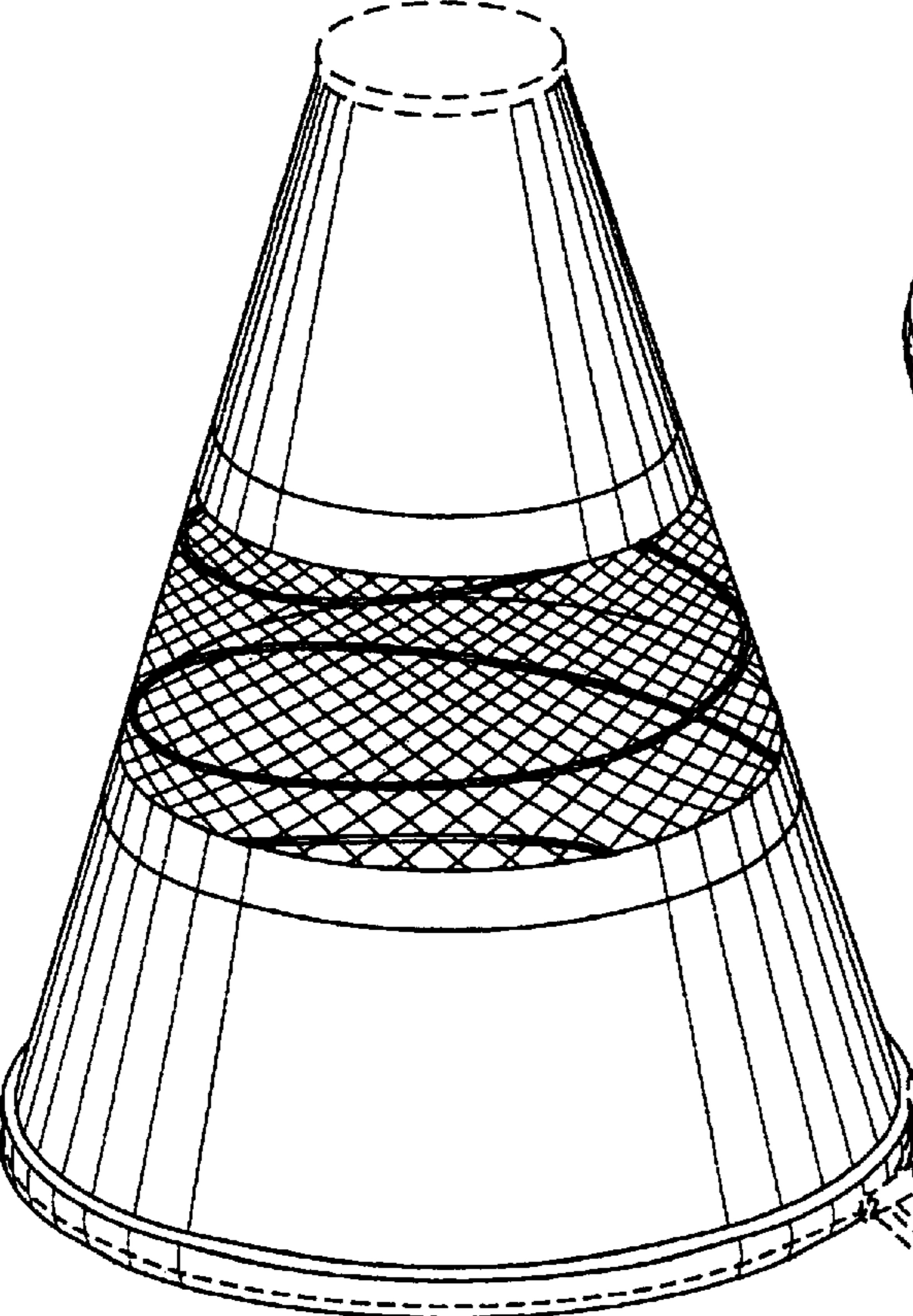
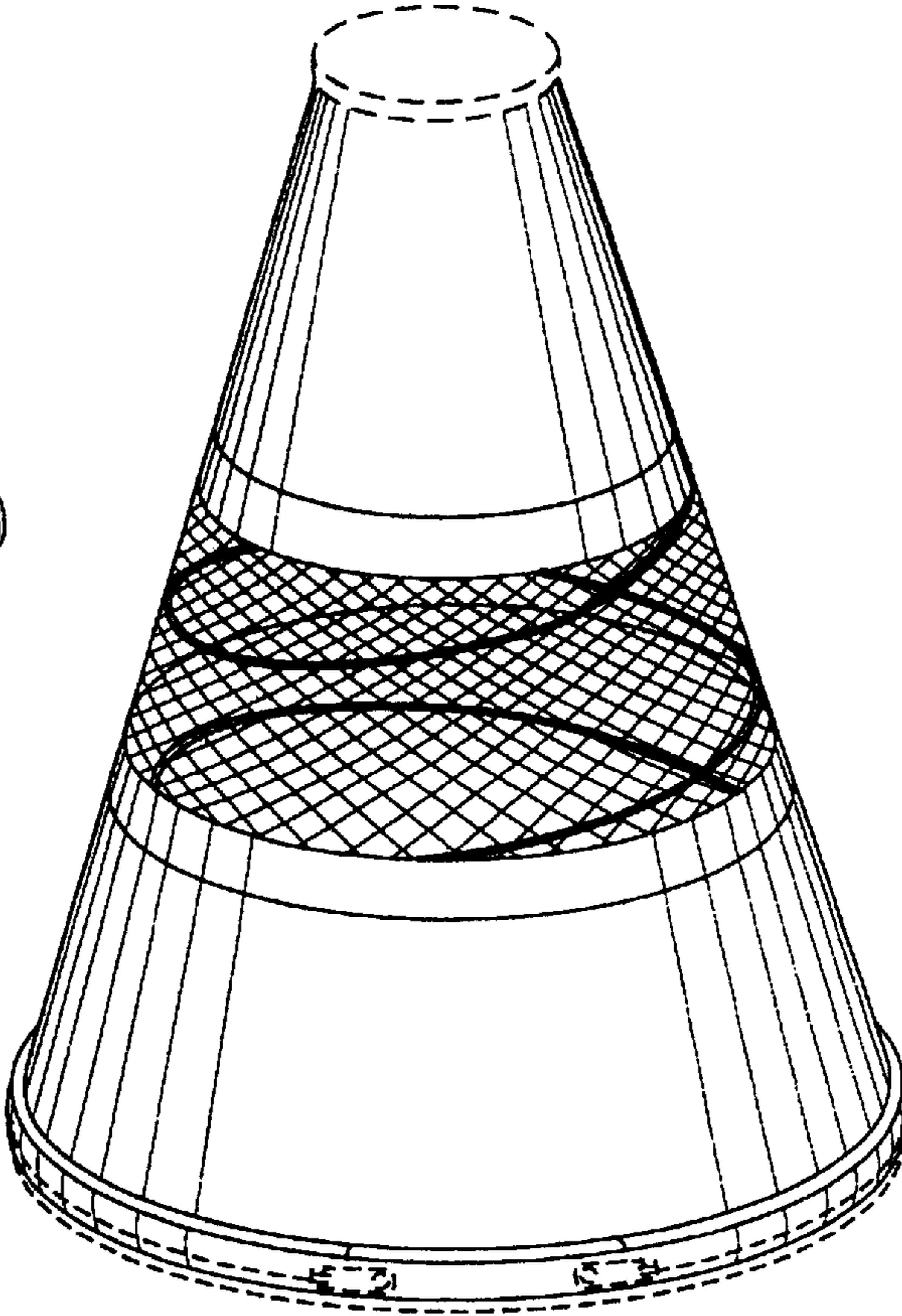
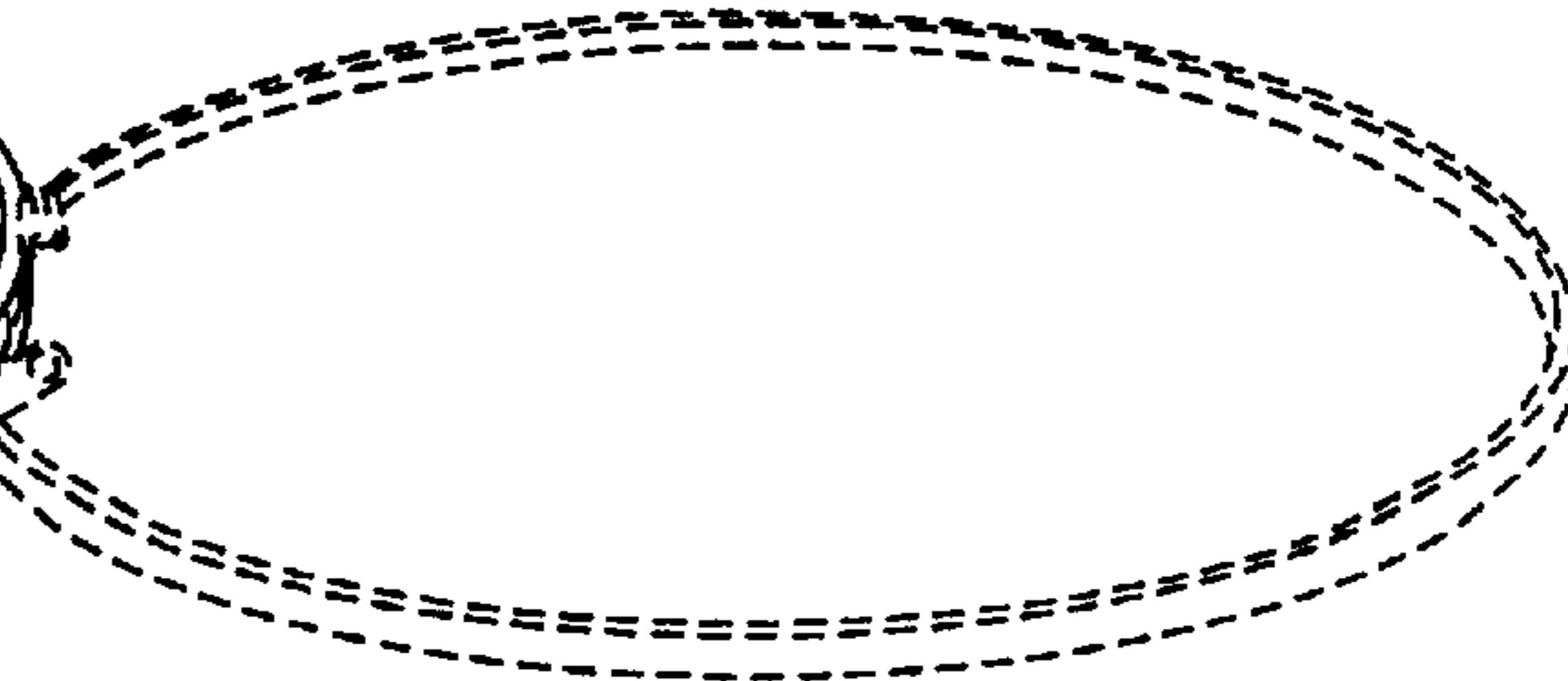


FIG. 3



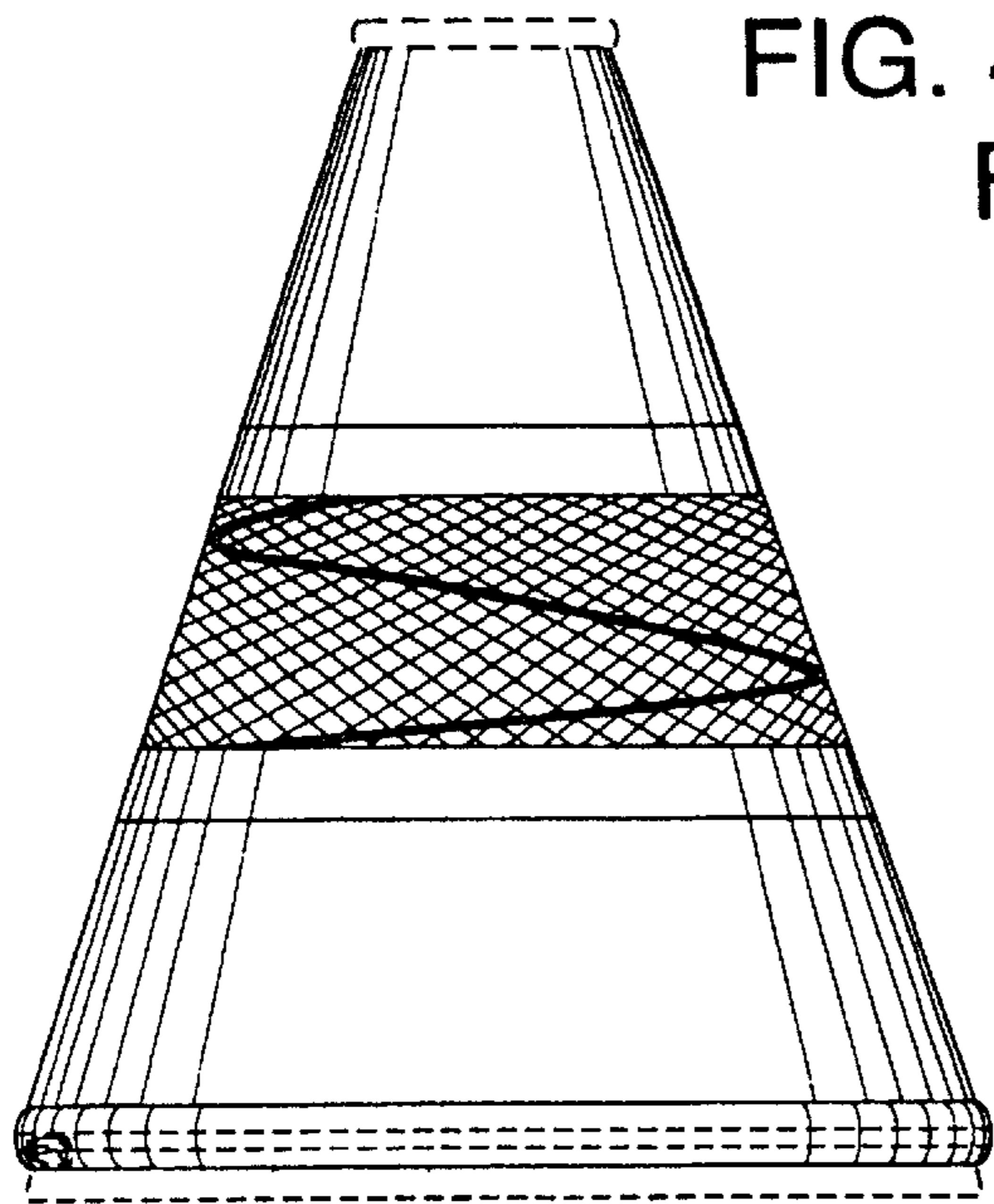


FIG. 4

FIG. 5

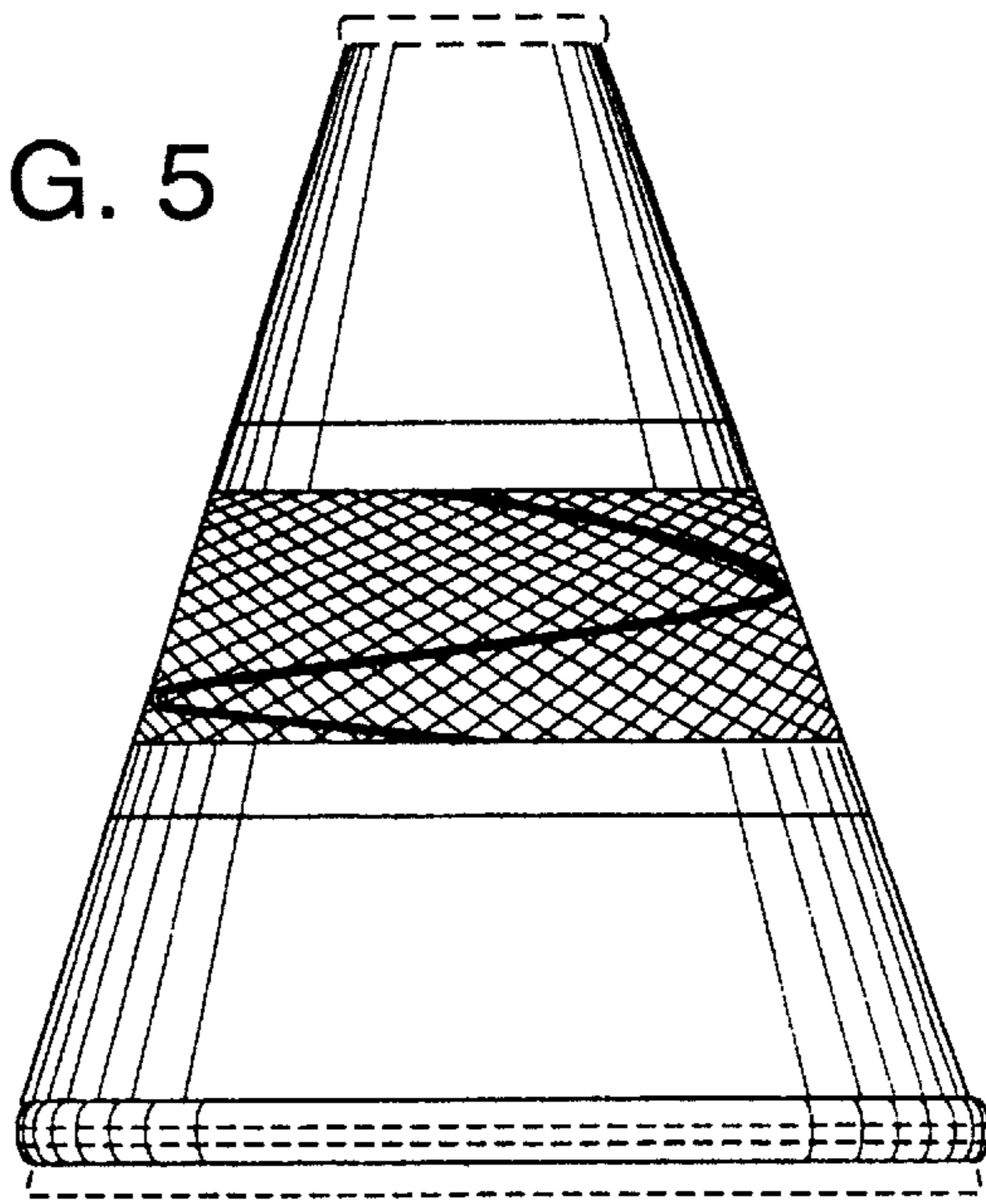


FIG. 6

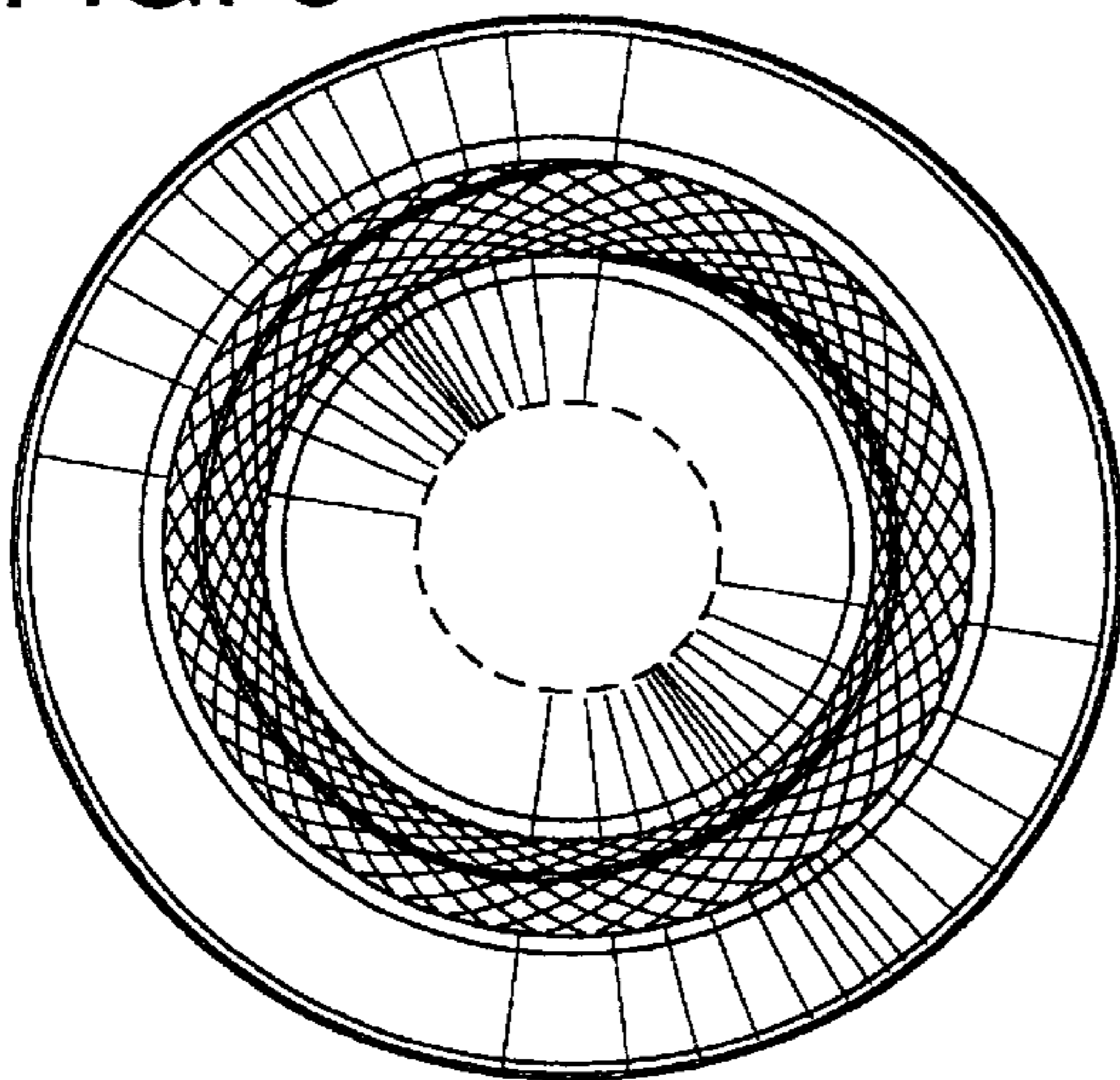


FIG. 7

