



US00D514460S

(12) **United States Design Patent**
Pomerantz

(10) **Patent No.:** **US D514,460 S**
(45) **Date of Patent:** **** Feb. 7, 2006**

(54) **ASSISTED GLOBAL POSITIONING SYSTEM APPARATUS**

D487,023 S * 2/2004 Takahashi D10/65
6,768,450 B1 * 7/2004 Walters et al. 342/357.09

(75) Inventor: **Scott Pomerantz**, Wyckoff, NJ (US)

* cited by examiner

(73) Assignee: **Global Locate, Inc.**, San Jose, CA (US)

Primary Examiner—Antoine D. Davis

(**) Term: **14 Years**

(74) *Attorney, Agent, or Firm*—Moser IP Law Group

(21) Appl. No.: **29/210,431**

(57) **CLAIM**

(22) Filed: **Jul. 30, 2004**

The ornamental design for an assisted global positioning system apparatus, as shown.

(51) **LOC (8) Cl.** **10-04**

DESCRIPTION

(52) **U.S. Cl.** **D10/65; D10/74**

(58) **Field of Classification Search** D10/65,
D10/74; 342/357.06–357.09; 701/213–215

FIG. 1 is a front perspective view of the assisted global positioning system apparatus, showing my new design;
FIG. 2 is a rear plan view of the design;
FIG. 3 is a top plan view of the design;
FIG. 4 is a front plan view of the design;
FIG. 5 is a right side plan view of the design;
FIG. 6 is a bottom plan view of the design; and,
FIG. 7 is a left side view of the design.

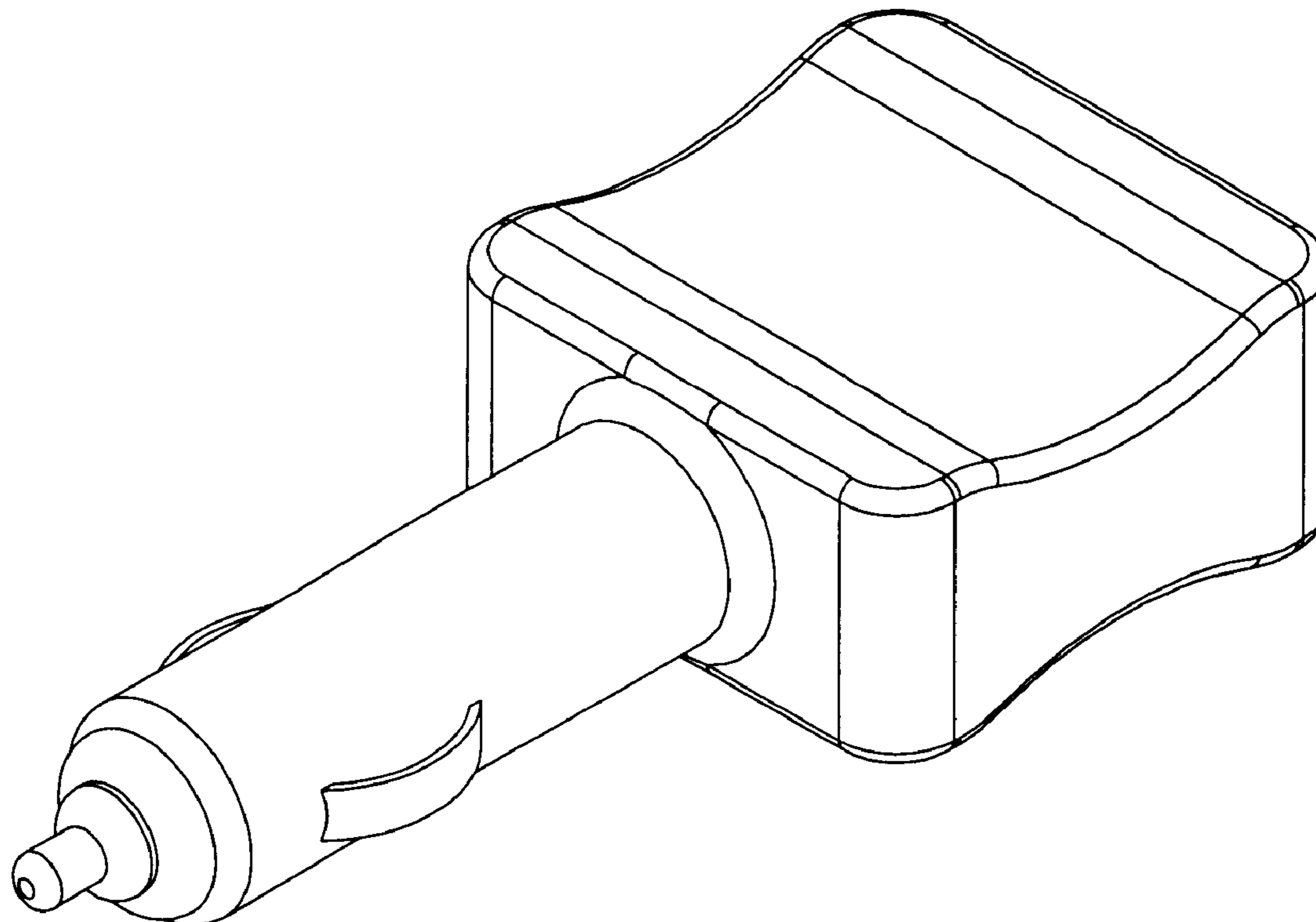
See application file for complete search history.

(56) **References Cited**

U.S. PATENT DOCUMENTS

D467,511 S * 12/2002 Kitamura et al. D10/65

1 Claim, 5 Drawing Sheets



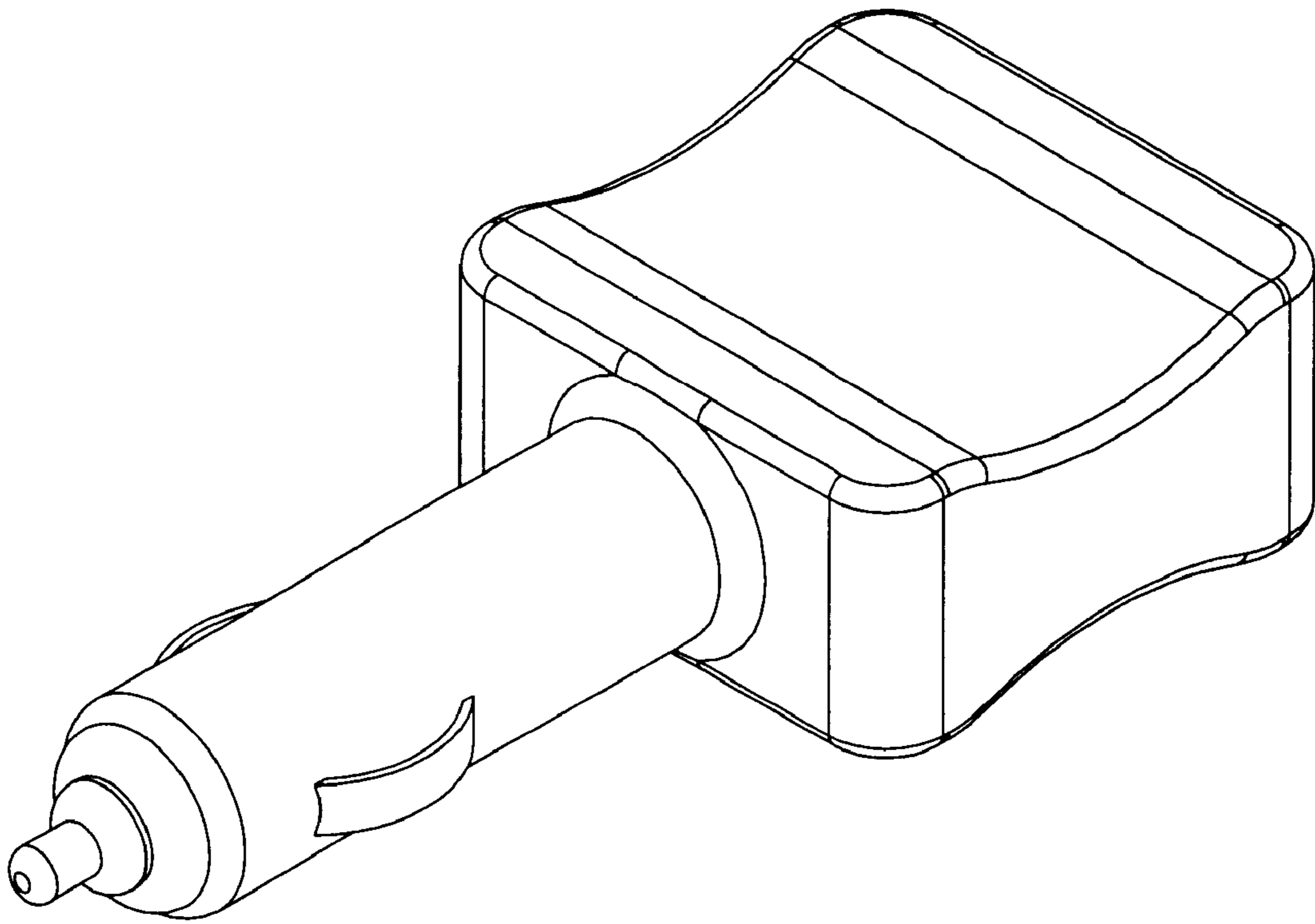


FIG. 1

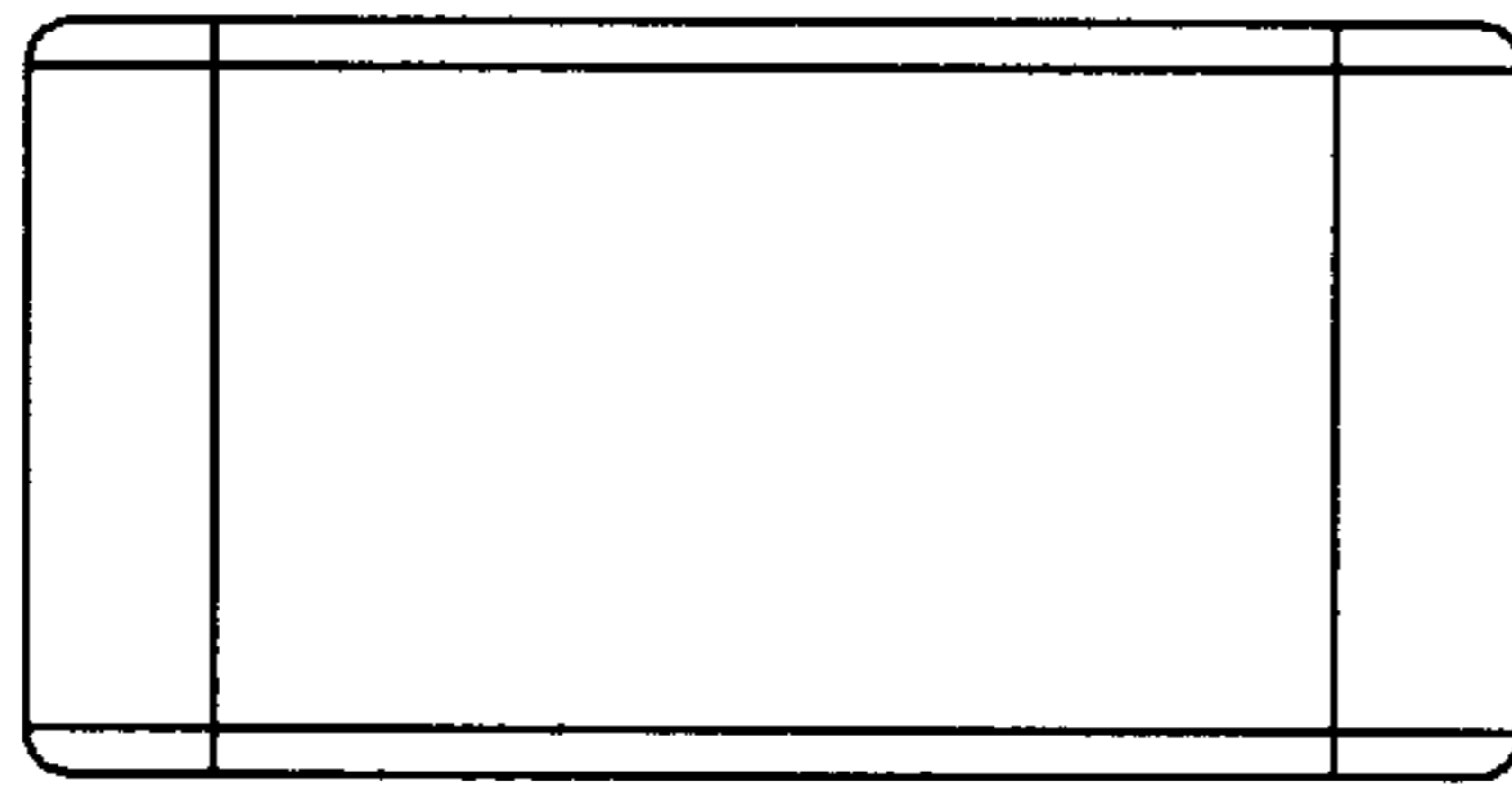


FIG. 2

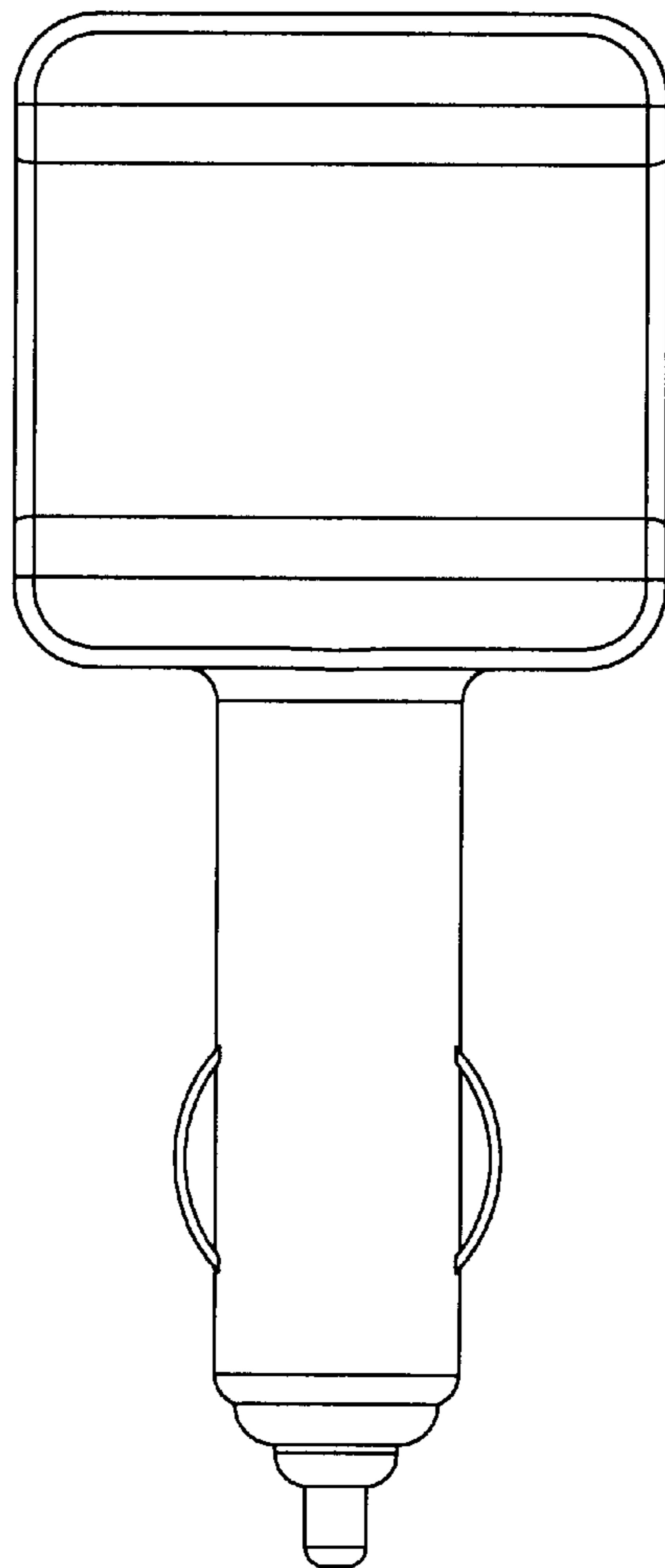


FIG. 3

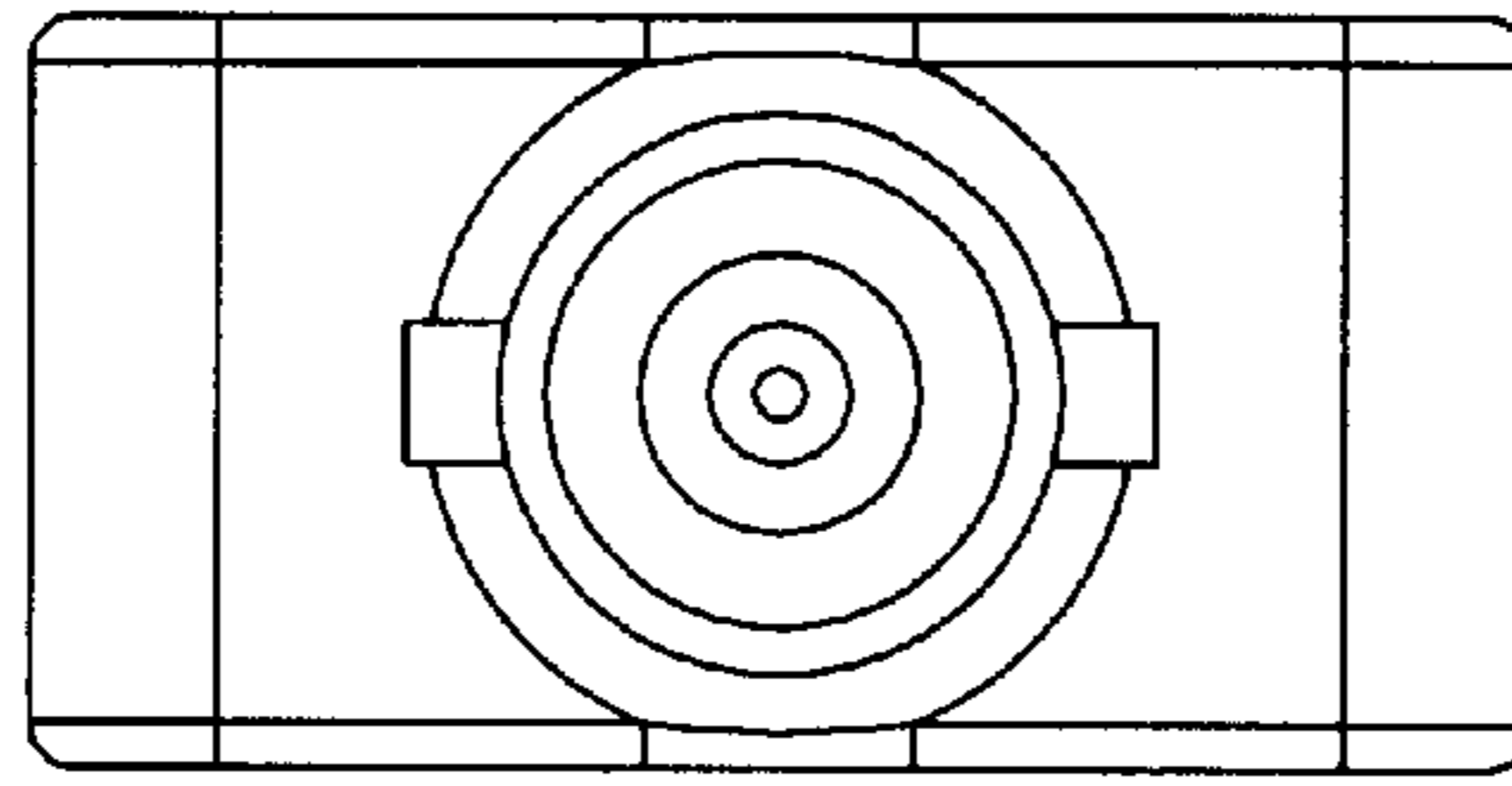


FIG. 4

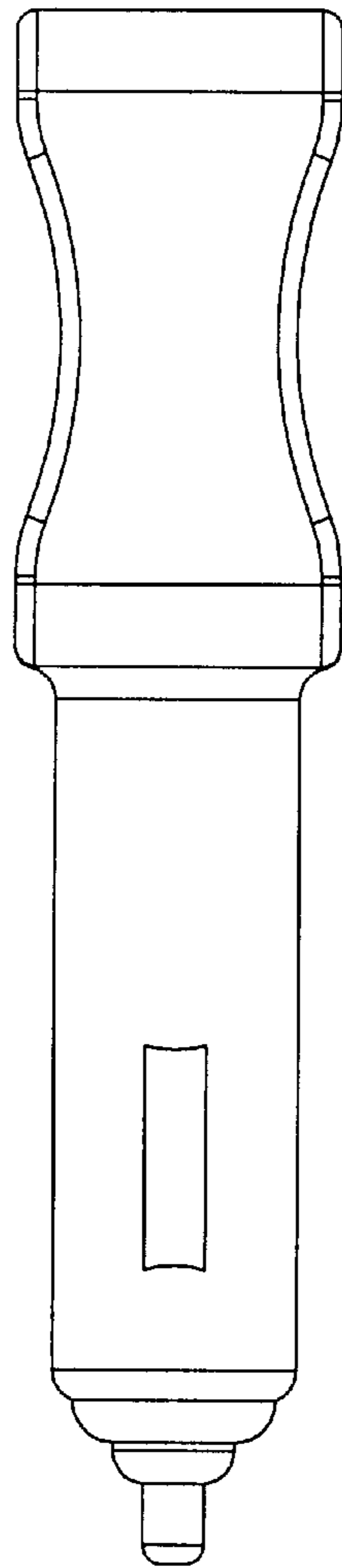


FIG. 5

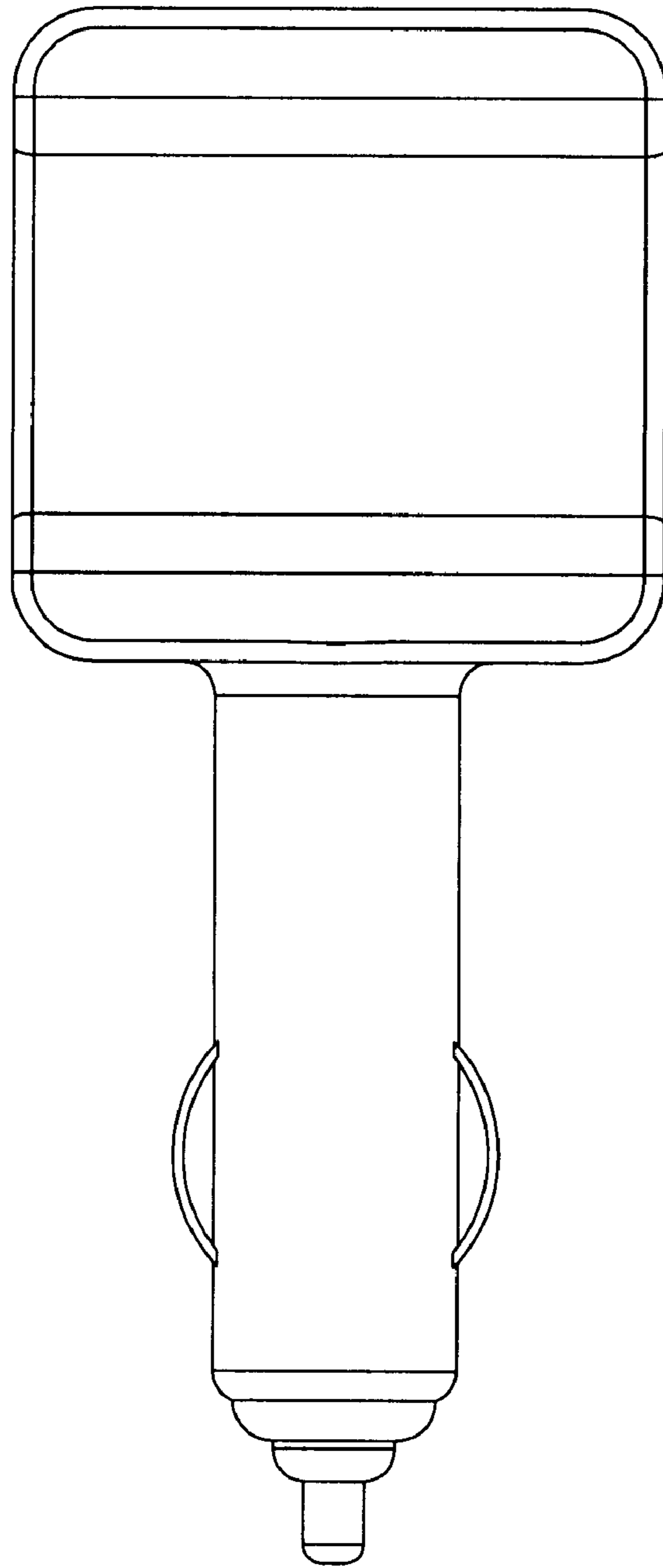


FIG. 6

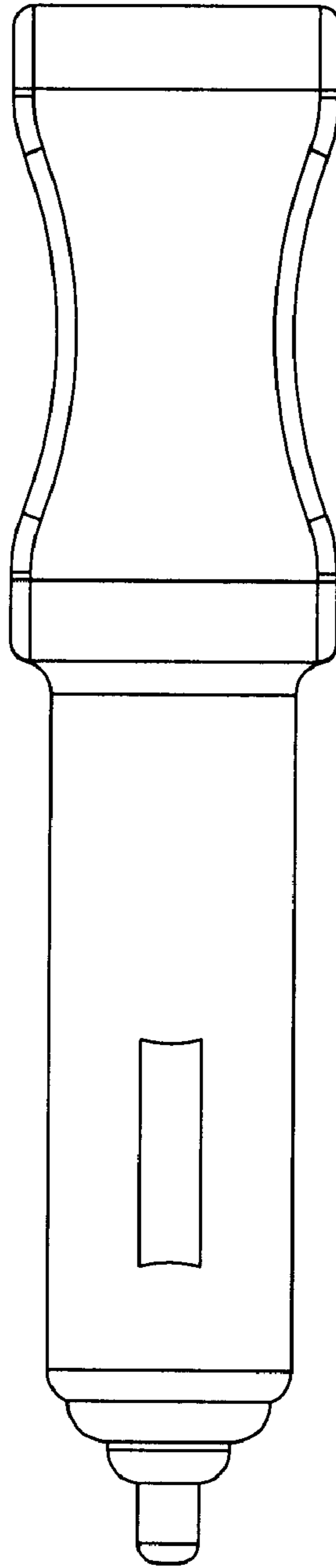


FIG. 7