



US00D514456S

(12) **United States Design Patent**
Kojima

(10) **Patent No.:** **US D514,456 S**

(45) **Date of Patent:** **** Feb. 7, 2006**

(54) **WATCH CASE**

(75) **Inventor:** **Kenji Kojima, Oume (JP)**

(73) **Assignee:** **Casio Computer Co., Ltd., Tokyo (JP)**

(**) **Term:** **14 Years**

(21) **Appl. No.:** **29/219,454**

(22) **Filed:** **Dec. 16, 2004**

(51) **LOC (8) Cl. 10-02**

(52) **U.S. Cl. D10/38**

(58) **Field of Classification Search** D10/30-39,
D10/122-132; 368/380-282, 82-84, 28-30,
368/290, 239-242, 276, 278, 10-14, 285-287,
368/228, 223, 294-295, 229, 41-44; 224/178,
224/164, 168

See application file for complete search history.

(56) **References Cited**

U.S. PATENT DOCUMENTS

- D301,840 S * 6/1989 Houlihan D10/30
- D302,391 S * 7/1989 Houlihan D10/32
- D339,750 S * 9/1993 Nakai D10/38

- D349,061 S * 7/1994 Morishima D10/38
- D376,986 S * 12/1996 Uzawa et al. D10/38
- 5,583,830 A * 12/1996 Okuyama 368/11
- D412,122 S * 7/1999 Yamamoto D10/30
- 6,233,203 B1 * 5/2001 Kawata 368/10
- D503,115 S * 3/2005 Goto et al. D10/32

* cited by examiner

Primary Examiner—Lucy Lieberman

(74) *Attorney, Agent, or Firm*—Frishauf, Holtz, Goodman & Chick, P.C.

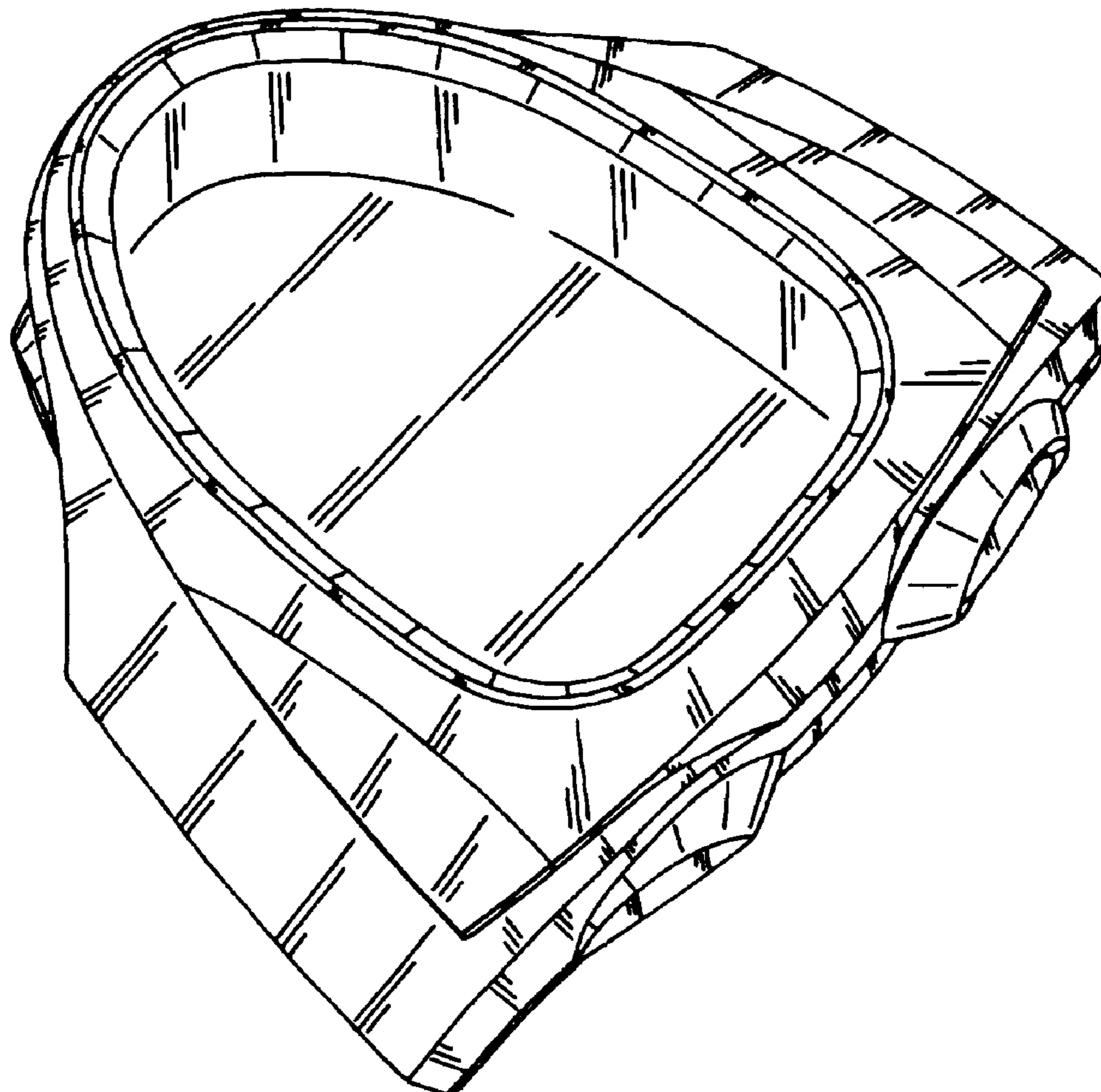
(57) **CLAIM**

The ornamental design for a watch case, as shown.

DESCRIPTION

FIG. 1 is a reduced scale front, right side, bottom perspective view of a watch case showing my new design;
 FIG. 2 is a front elevational view thereof;
 FIG. 3 is a rear elevational view thereof;
 FIG. 4 is a left side view thereof;
 FIG. 5 is a right side view thereof;
 FIG. 6 is a top plan view thereof; and,
 FIG. 7 is a bottom plan view thereof.

1 Claim, 6 Drawing Sheets



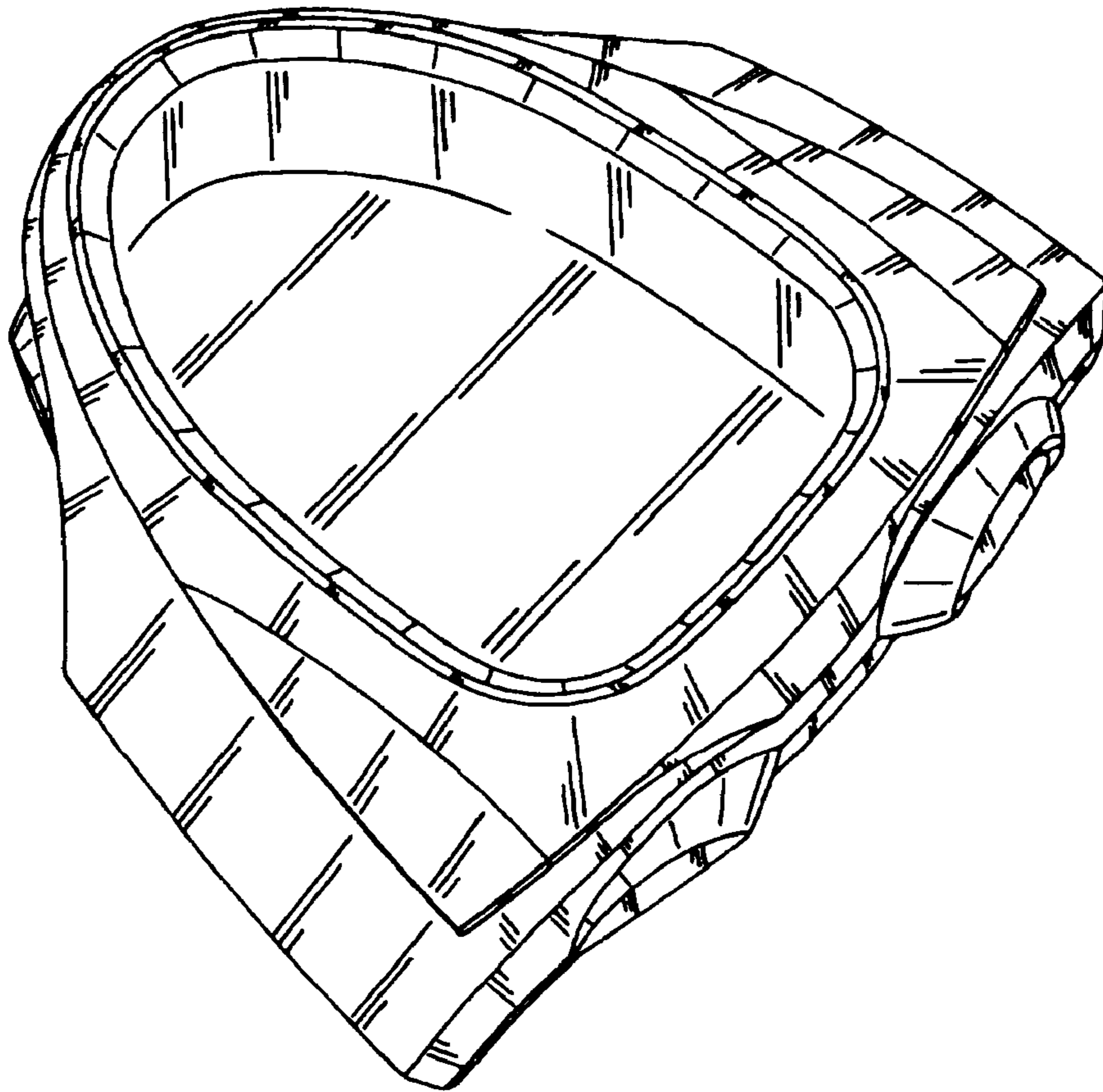


FIG. 1

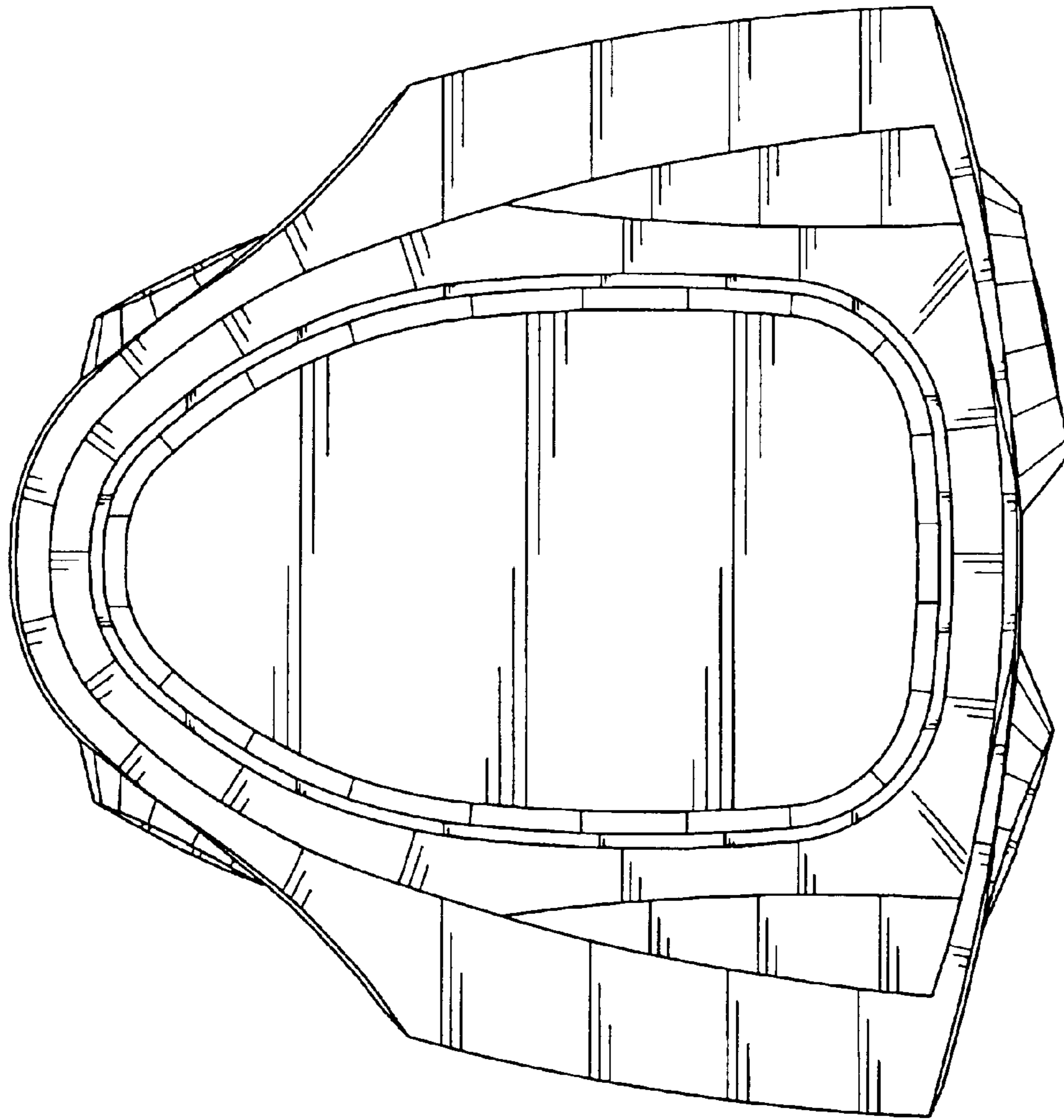


FIG. 2

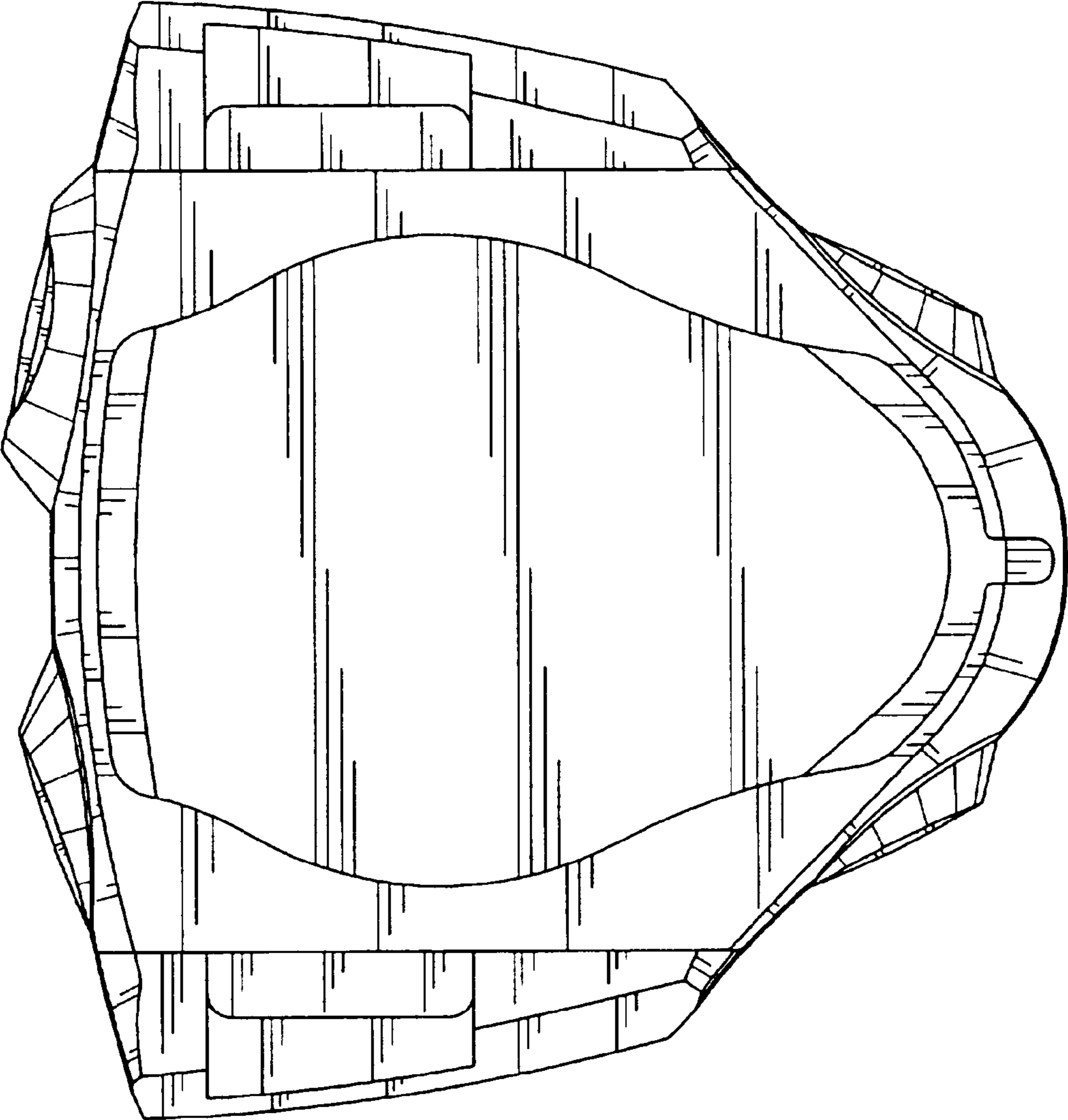


FIG. 3

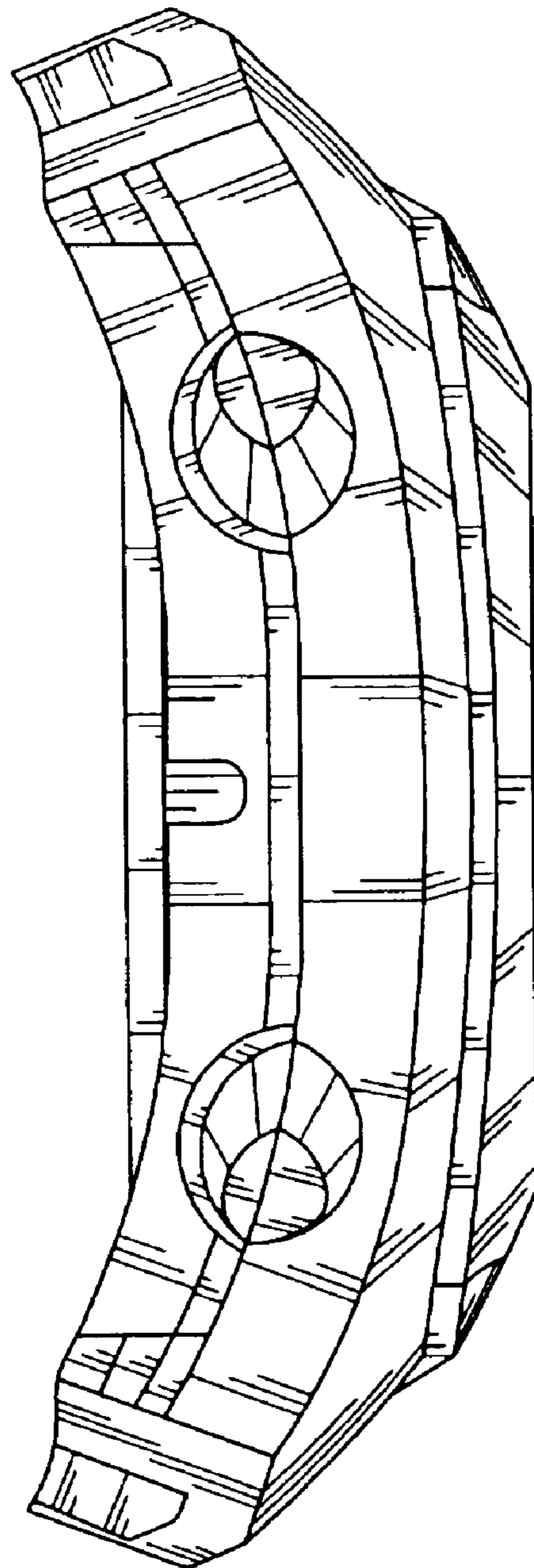


FIG. 4

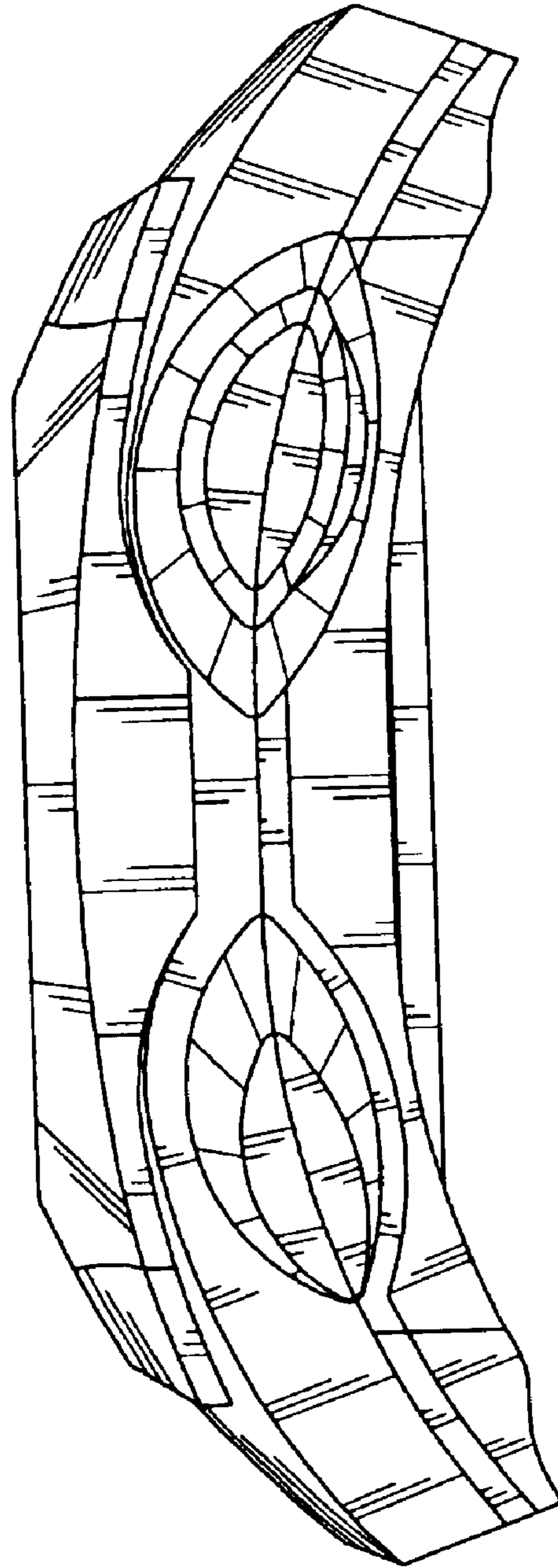


FIG. 5

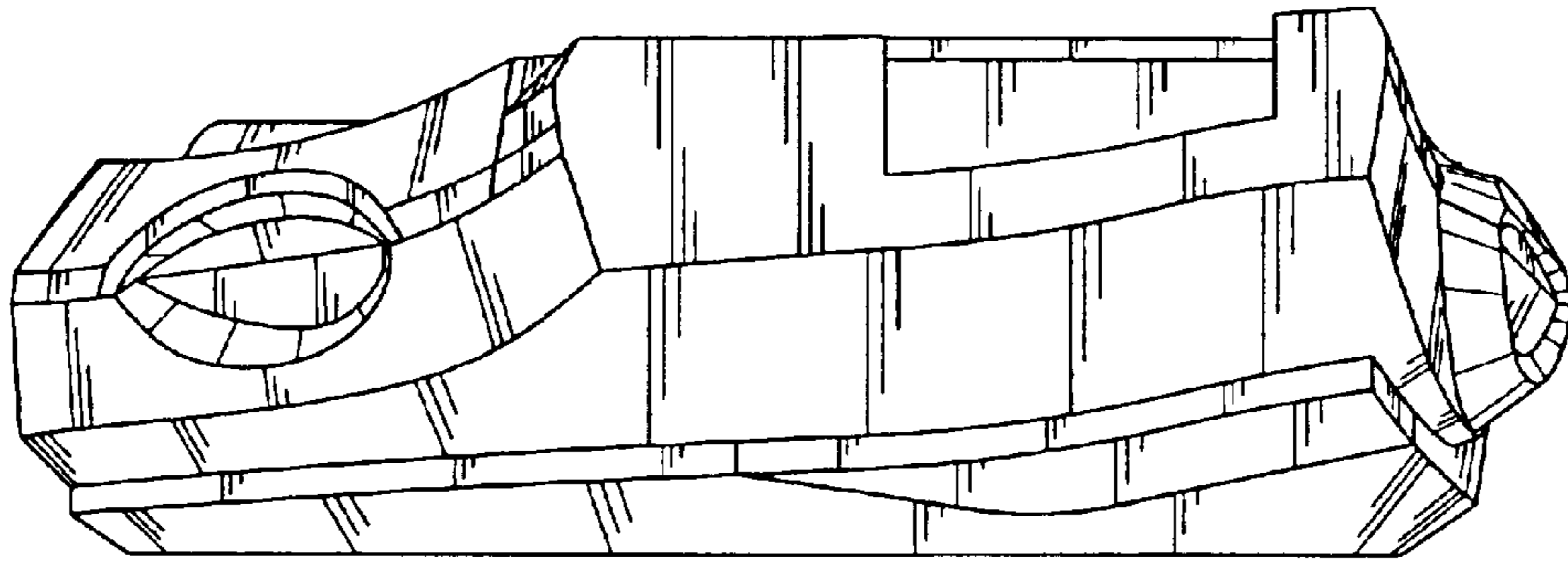


FIG. 6

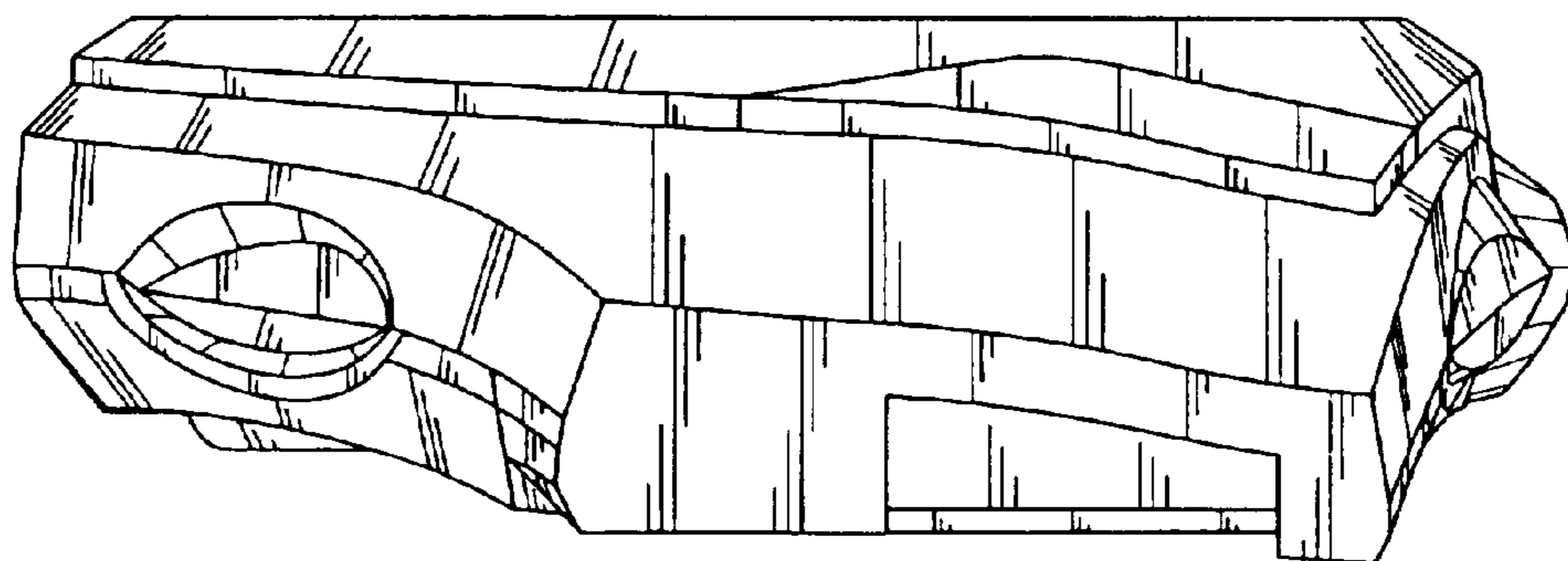


FIG. 7