



US00D514454S

(12) **United States Design Patent**
Sekiguchi

(10) **Patent No.:** **US D514,454 S**
(45) **Date of Patent:** **** Feb. 7, 2006**

(54) **WATCH CASE**
(75) **Inventor:** **Toshihide Sekiguchi, Tokyo (JP)**
(73) **Assignee:** **Maruzeki Co., Ltd., Tokyo (JP)**
(**) **Term:** **14 Years**

D427,082 S * 6/2000 Kojima D10/30
D438,475 S * 3/2001 Balet D10/39
D442,500 S * 5/2001 Moriai D10/30
D452,169 S * 12/2001 Syoubayashi D10/30
D456,276 S * 4/2002 Shiraishi D10/30
D458,152 S * 6/2002 Kojima D10/30
D458,851 S * 6/2002 Haquet D10/30
D479,691 S * 9/2003 Goto D10/30

(21) **Appl. No.:** **29/219,137**
(22) **Filed:** **Dec. 14, 2004**

* cited by examiner

(30) **Foreign Application Priority Data**

Aug. 20, 2004 (JP) 2004-025010
Aug. 20, 2004 (JP) 2004-025011

Primary Examiner—Nelson C. Holtje
(74) *Attorney, Agent, or Firm*—Young & Thompson

(51) **LOC (8) Cl.** **10-02**
(52) **U.S. Cl.** **D10/30**
(58) **Field of Classification Search** D10/1-40,
D10/122-132; 368/280-282, 276-277, 285,
368/294-295
See application file for complete search history.

(57) **CLAIM**

The ornamental design for a watch case, as shown and described.

DESCRIPTION

FIG. 1 is a top and side perspective view of a watch case showing my new design;
FIG. 2 is a view similar to FIG. 1 but with the watch case rotated about a vertical axis;
FIG. 3 is a top plan view thereof;
FIG. 4 is a bottom plan view thereof;
FIG. 5 is a view thereof from the top of FIG. 3;
FIG. 6 is a view thereof from the bottom of FIG. 3;
FIG. 7 is a view thereof from the right of FIG. 3, a view thereof from the left of FIG. 3 being identical thereto; and,
FIGS. 8-14 are views similar to FIGS. 1-7, respectively, but showing a second embodiment of my new design.

(56) **References Cited**

U.S. PATENT DOCUMENTS

D327,450 S * 6/1992 Nakai D10/38
D339,749 S * 9/1993 Ishizaka D10/38
D378,198 S * 2/1997 Tomita et al. D10/38
D384,291 S * 9/1997 Goto D10/30
D394,393 S * 5/1998 Kojima D10/30
D396,417 S * 7/1998 Goto D10/30
D417,402 S * 12/1999 Fujihara D10/30
D426,781 S * 6/2000 Kojima D10/30

1 Claim, 8 Drawing Sheets

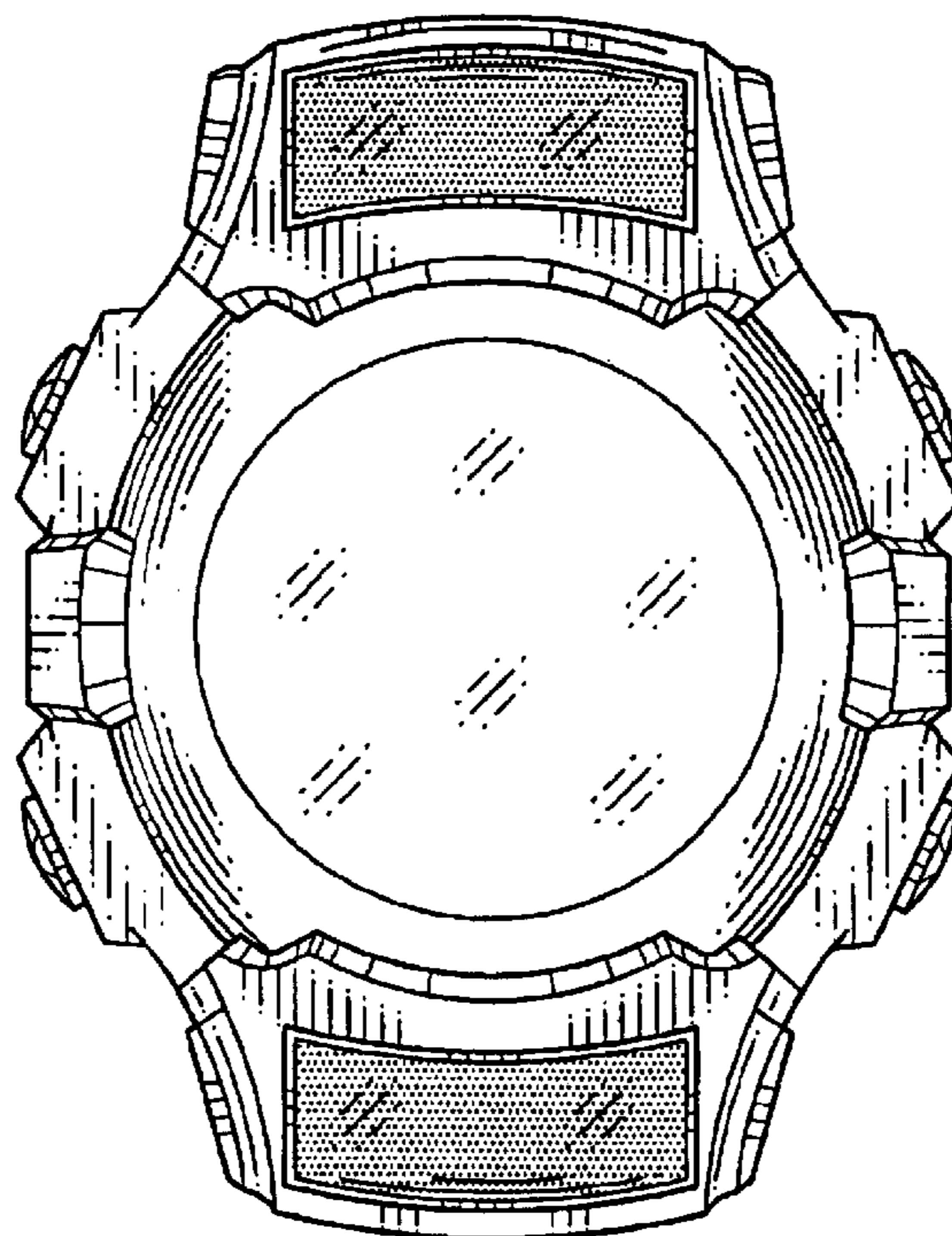


FIG.1

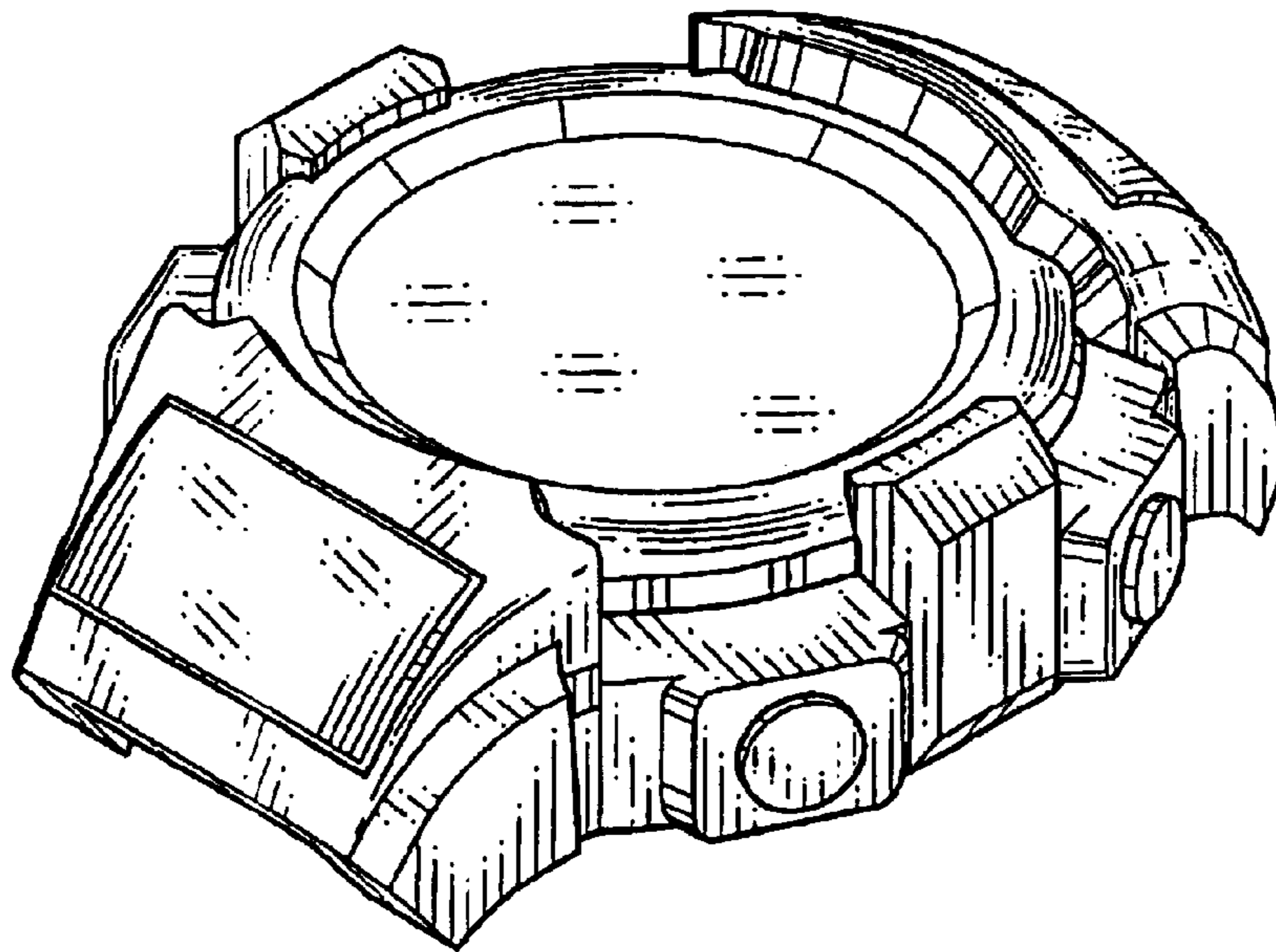


FIG.2

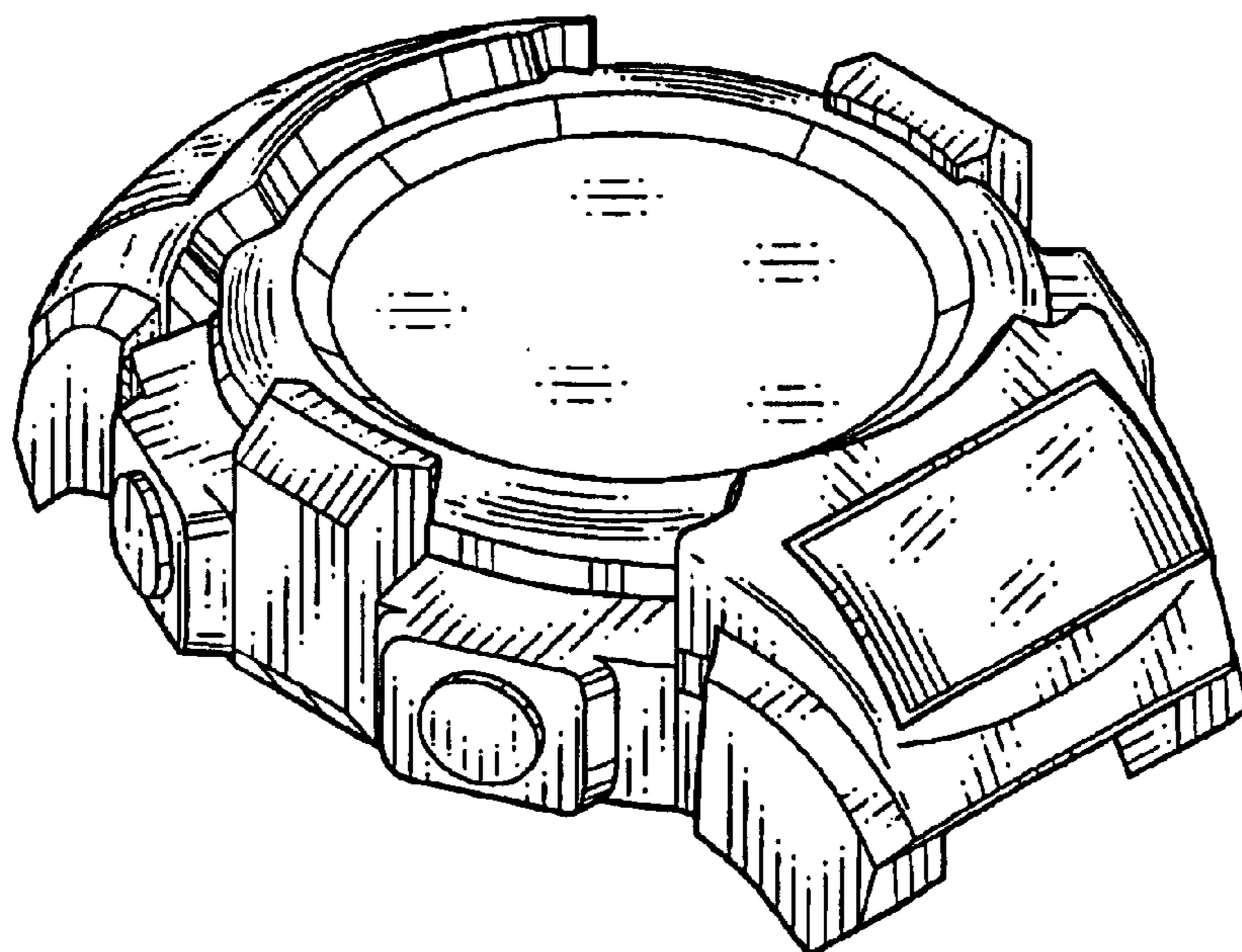


FIG.3

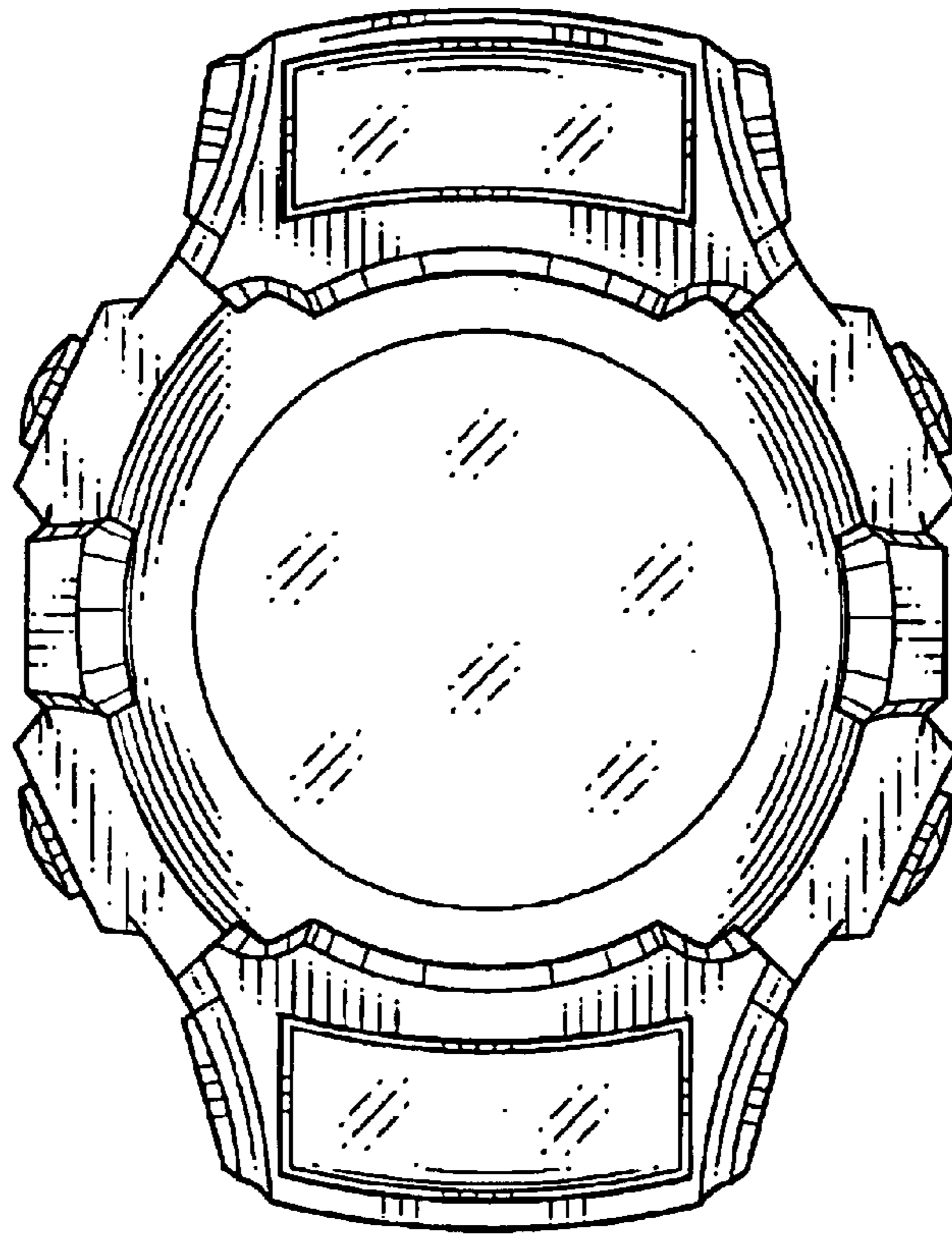


FIG.4

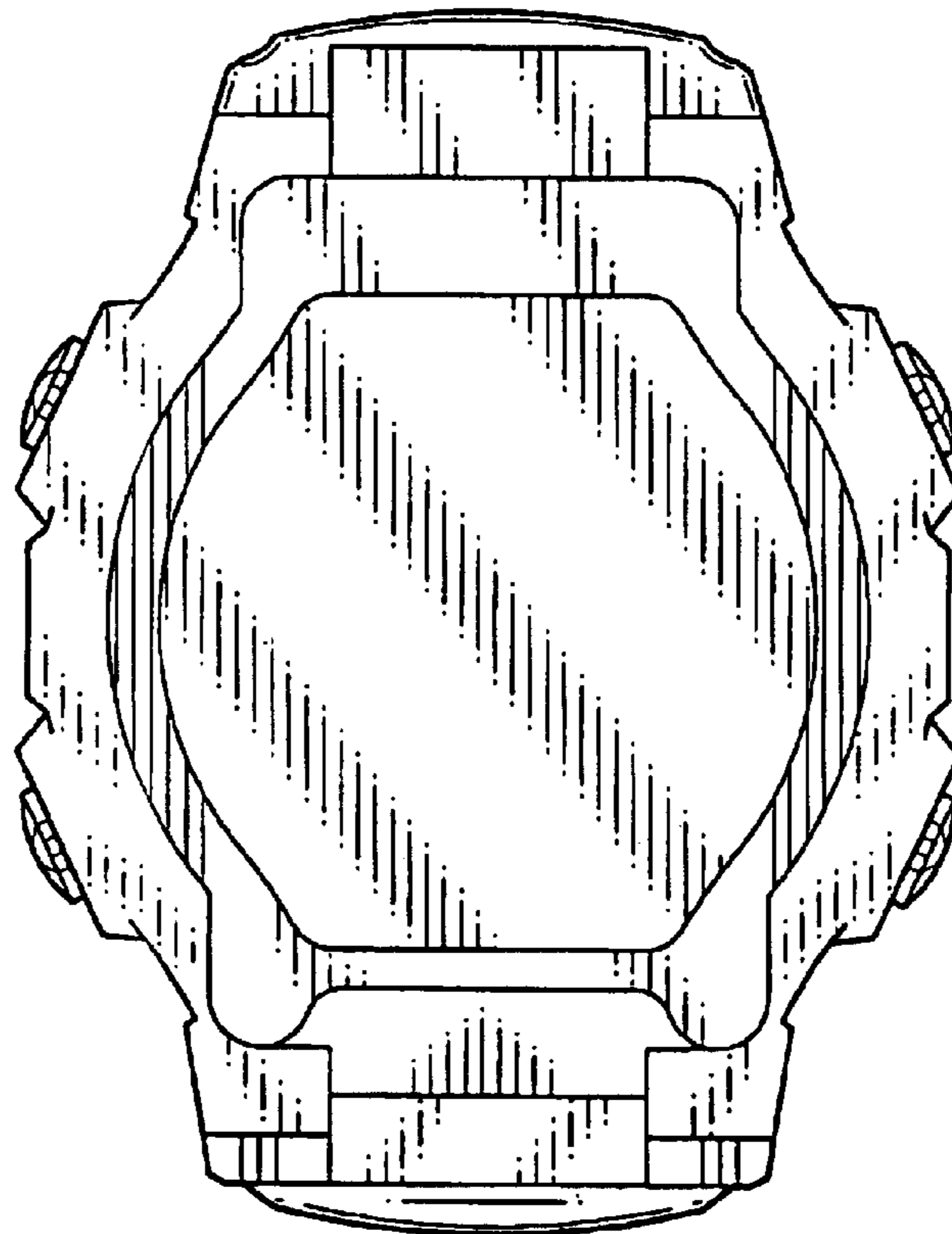


FIG.5

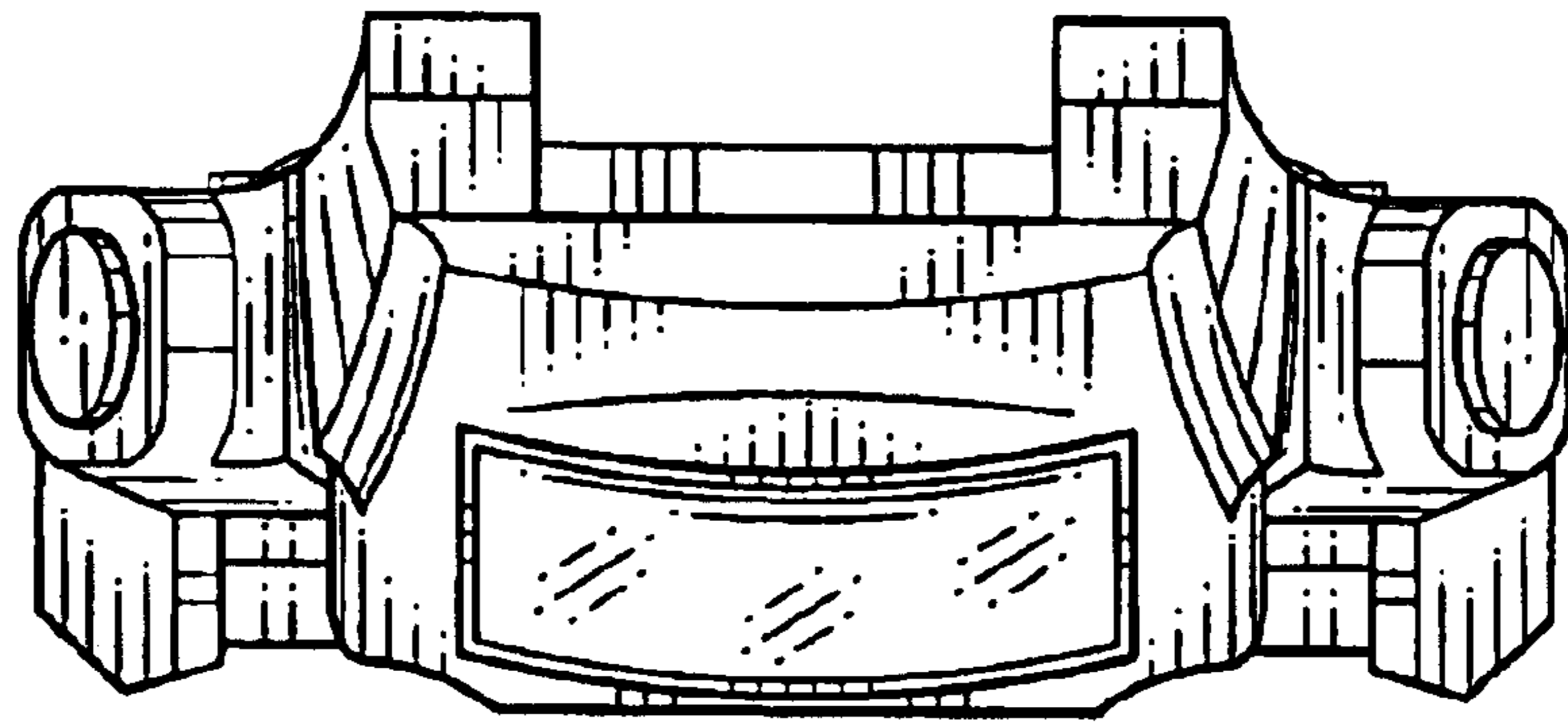


FIG.6

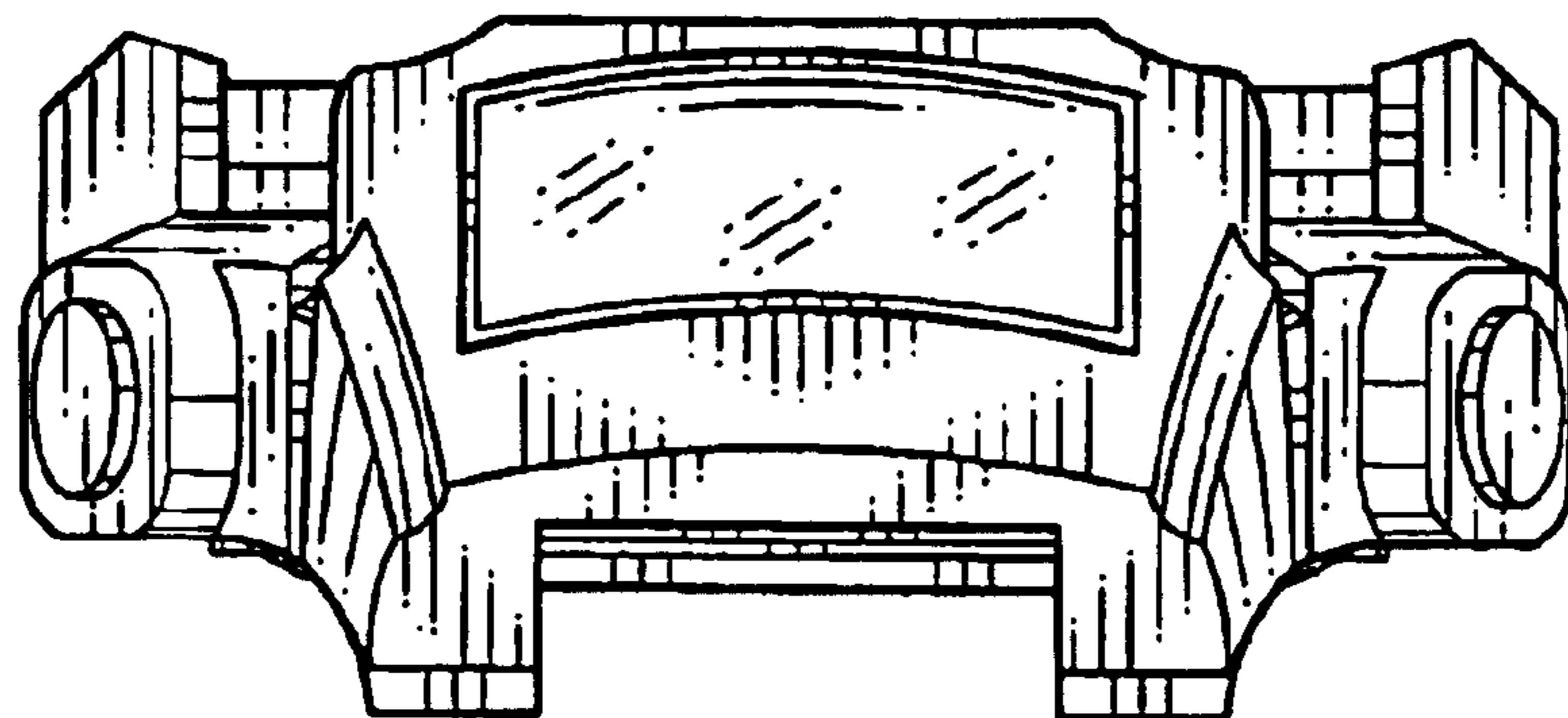


FIG. 7

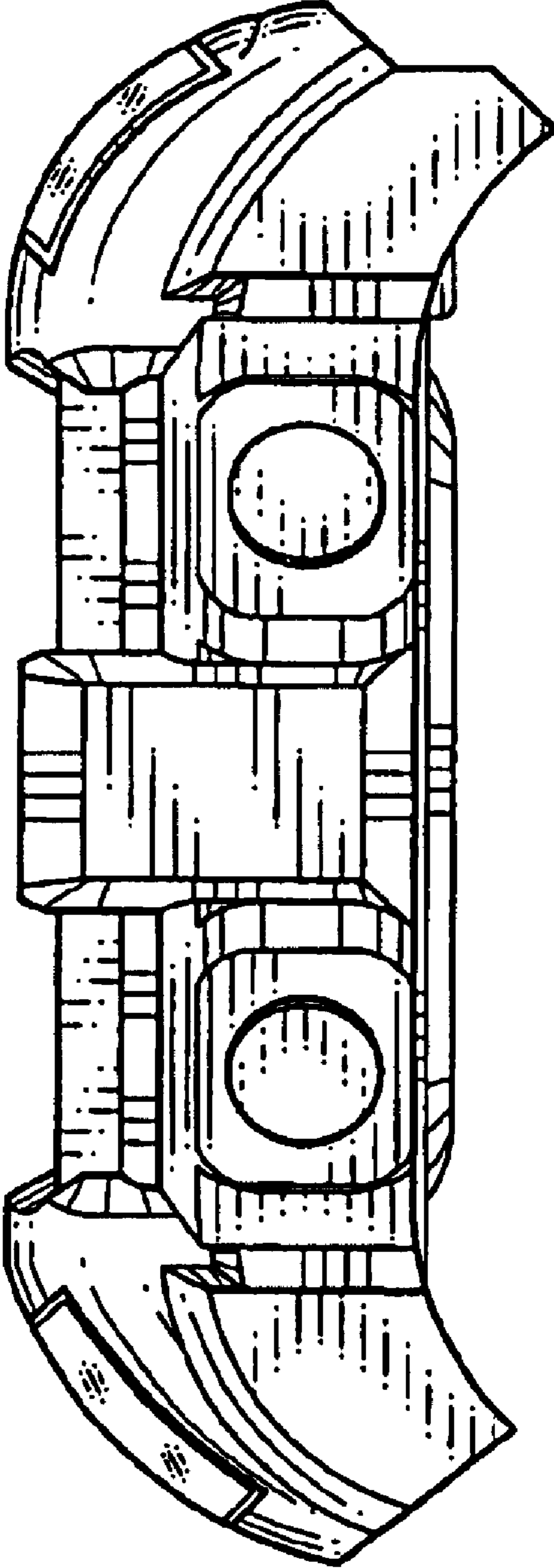


FIG.8

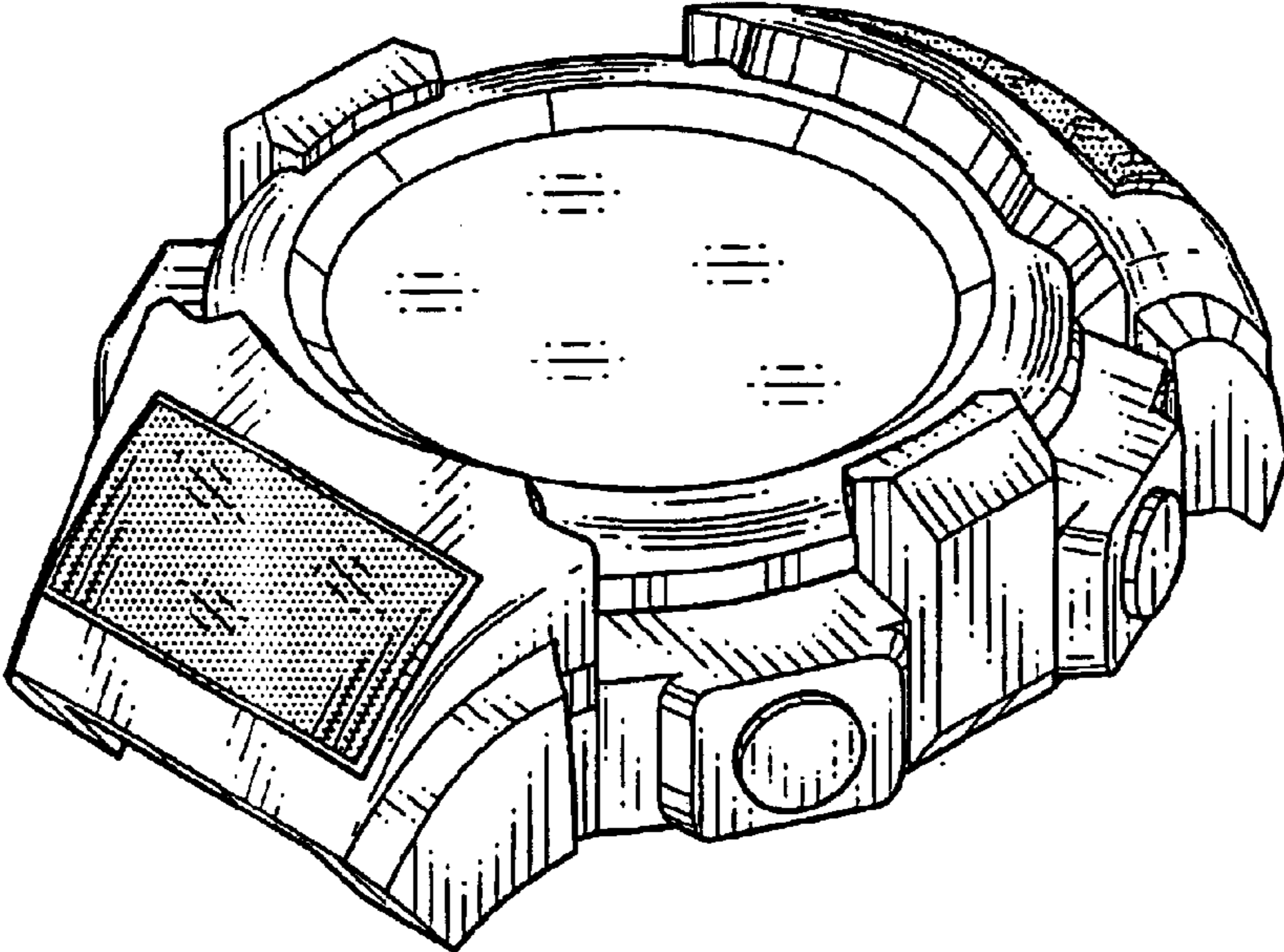


FIG.9

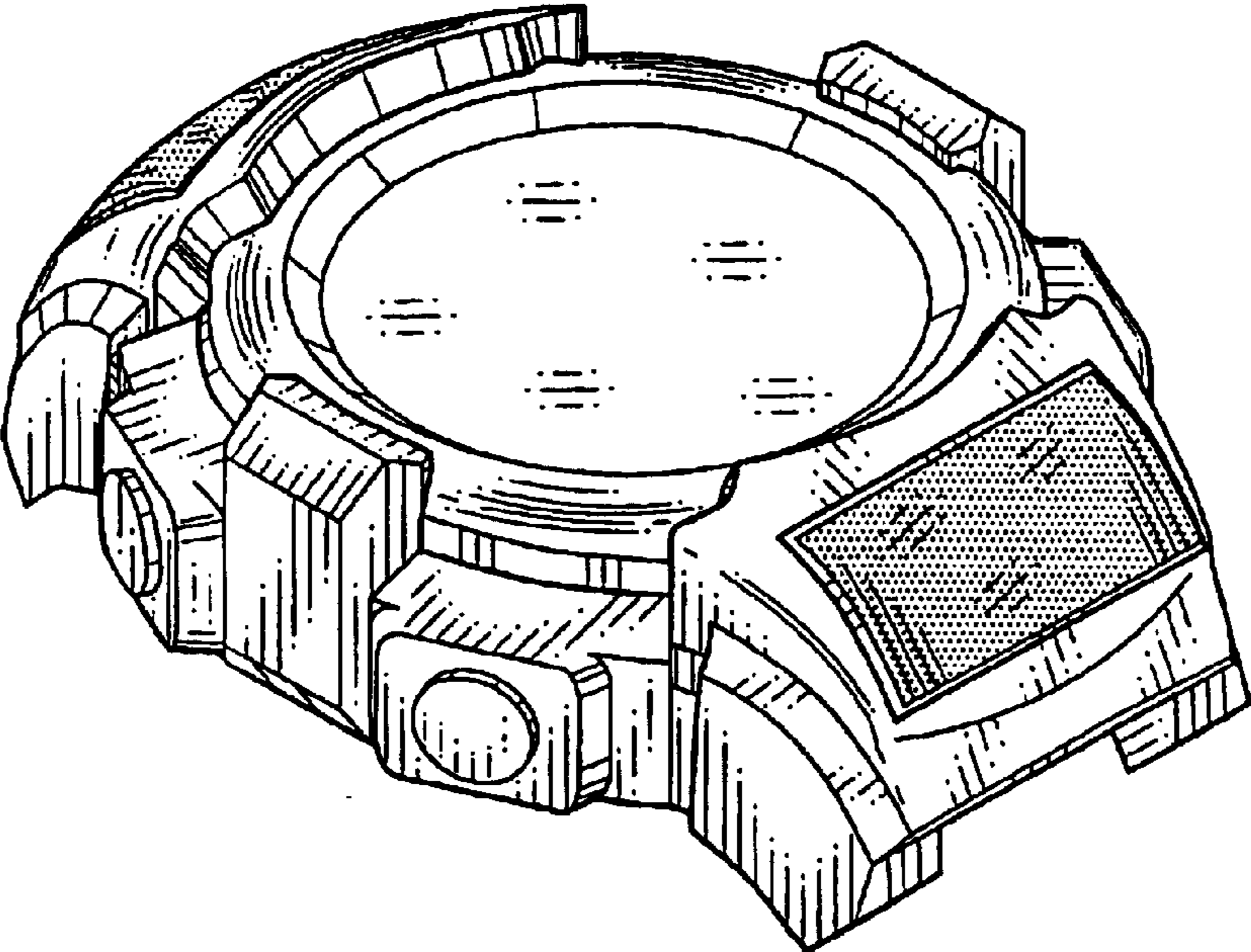


FIG.10

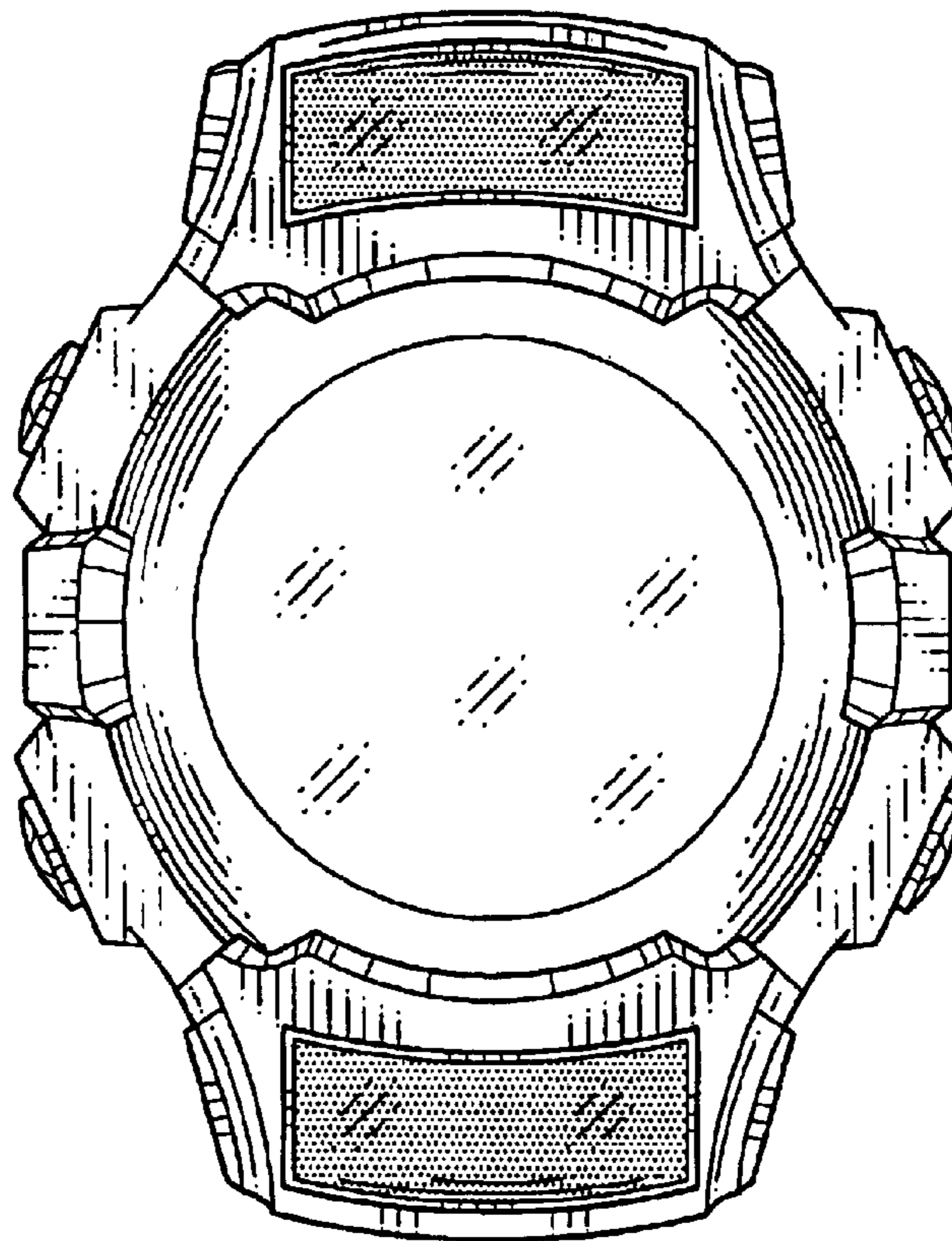


FIG.11

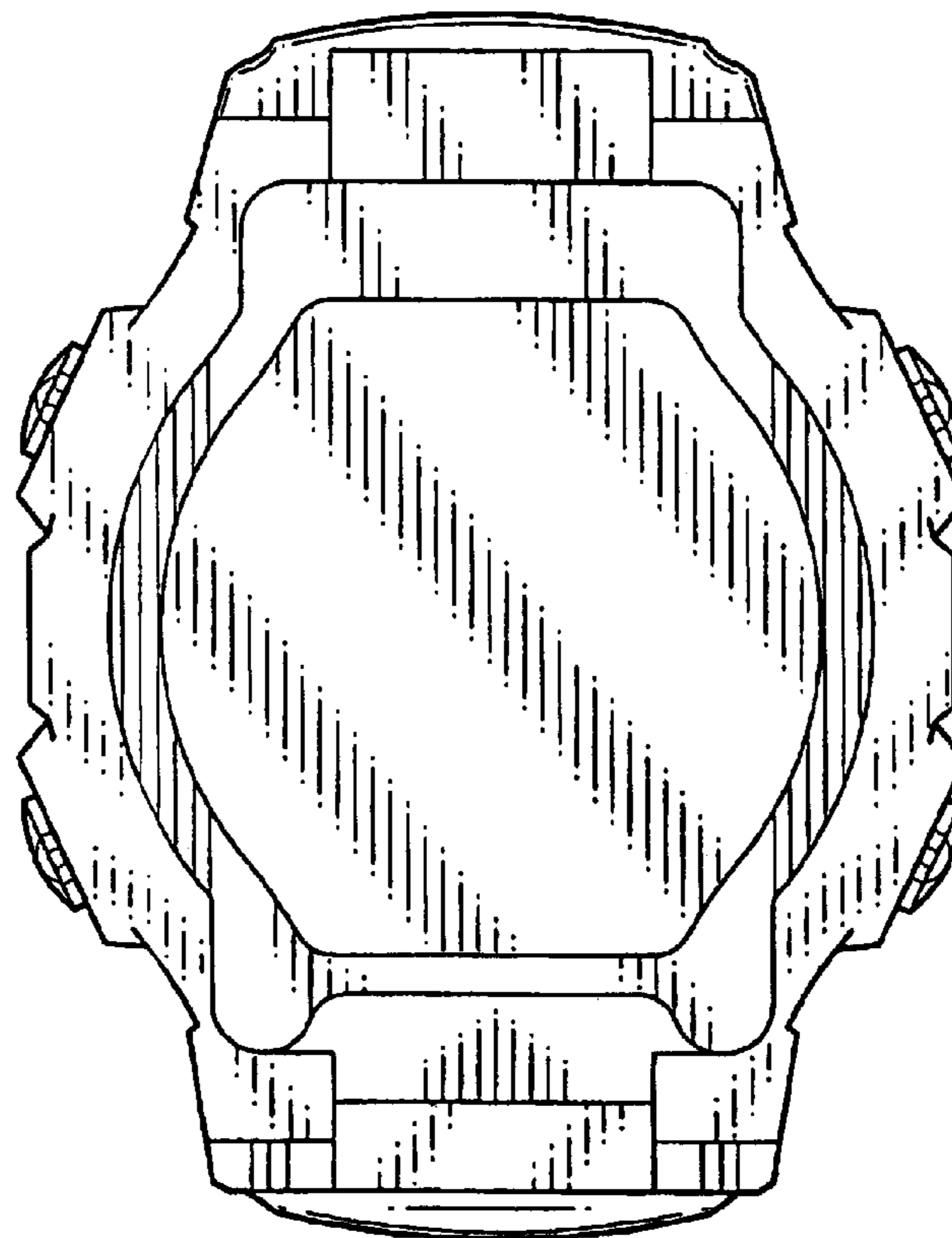


FIG.12

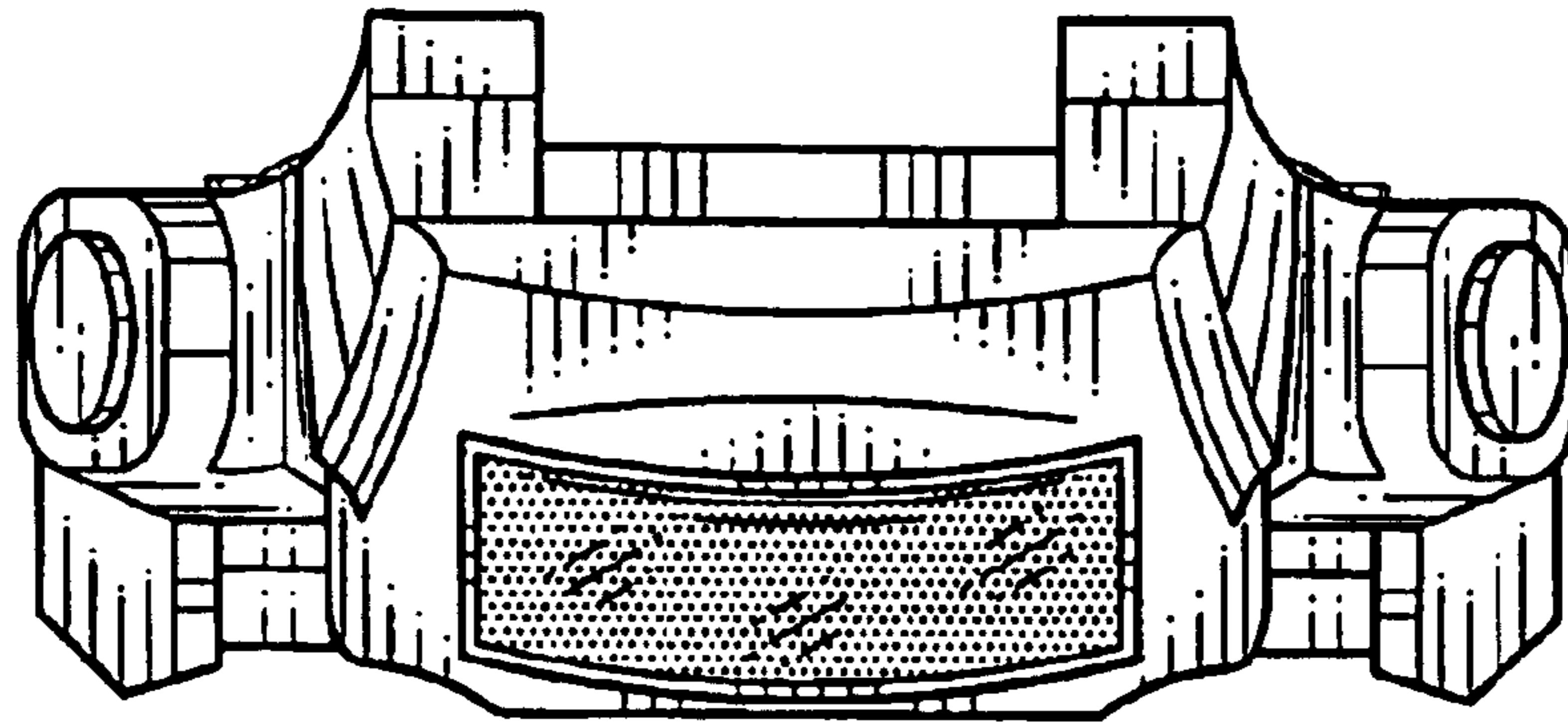


FIG.13

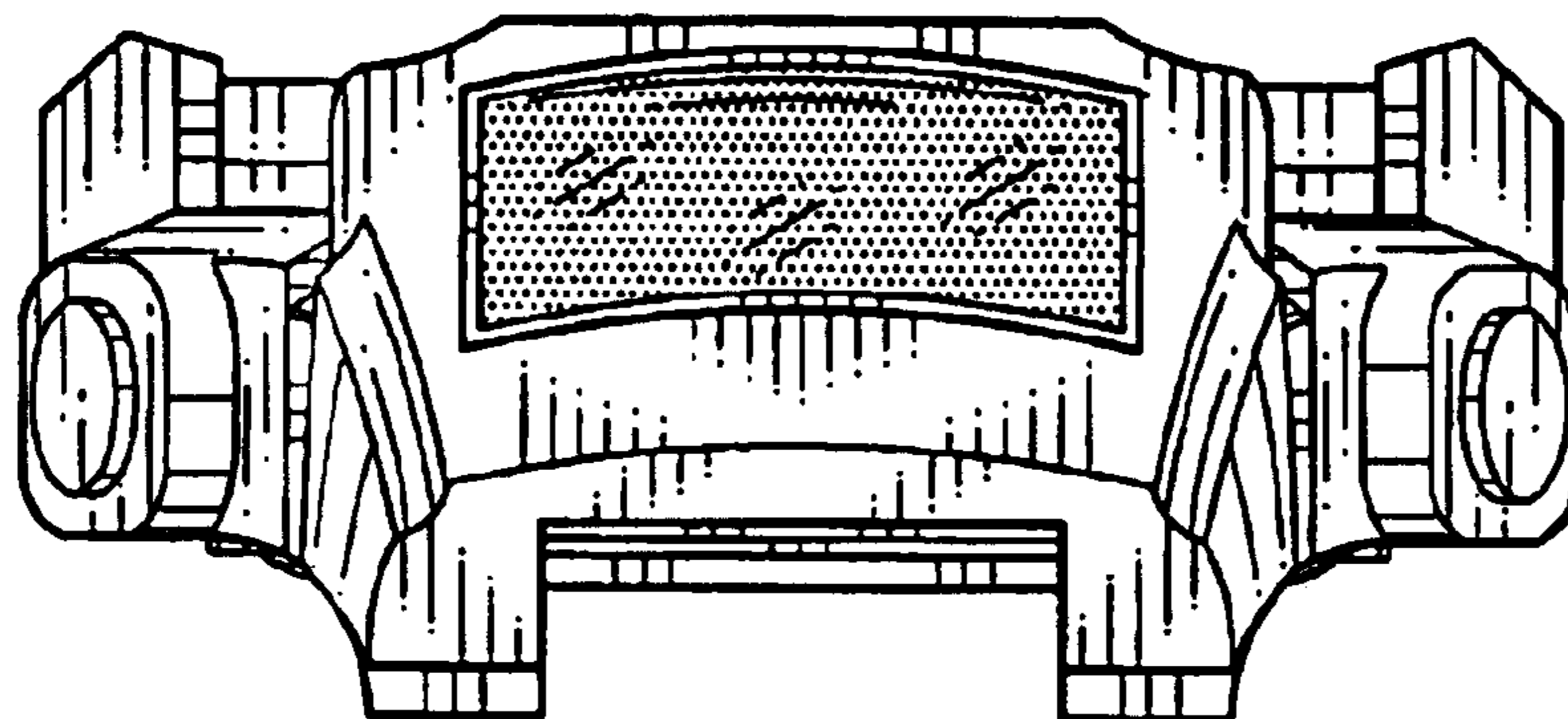


FIG. 14

