



US00D514452S

(12) **United States Design Patent**  
**Enriquez**

(10) **Patent No.: US D514,452 S**  
(45) **Date of Patent: \*\* Feb. 7, 2006**

- (54) **CONTAINER FOR SMALL CAKES**
- (75) **Inventor: Jose Enriquez, South Gate, CA (US)**
- (73) **Assignee: PWP Industries, Vernon, CA (US)**
- (\*\*) **Term: 14 Years**
- (21) **Appl. No.: 29/220,173**
- (22) **Filed: Dec. 27, 2004**
- (51) **LOC (8) Cl. .... 09-03**
- (52) **U.S. Cl. .... D9/759**
- (58) **Field of Classification Search .... D9/759,**  
D9/737, 756, 761, 420, 418, 423-425, 430-432;  
D3/201, 294; 220/669, 670, 671, 675, 674,  
220/623, DIG. 27, 4.22, 4.23, 339, 307, 324,  
220/326, 334; 229/120, 2.5 R, DIG. 14  
See application file for complete search history.

D379,300 S \* 5/1997 Krupa et al. .... D9/757  
6,644,494 B2 \* 11/2003 Hayes et al. .... 220/839

\* cited by examiner

*Primary Examiner*—Stella Reid  
*Assistant Examiner*—Mark A. Goodwin  
(74) *Attorney, Agent, or Firm*—Leon D. Rosen

(57) **CLAIM**

The ornamental design for container for small cakes, as shown and described.

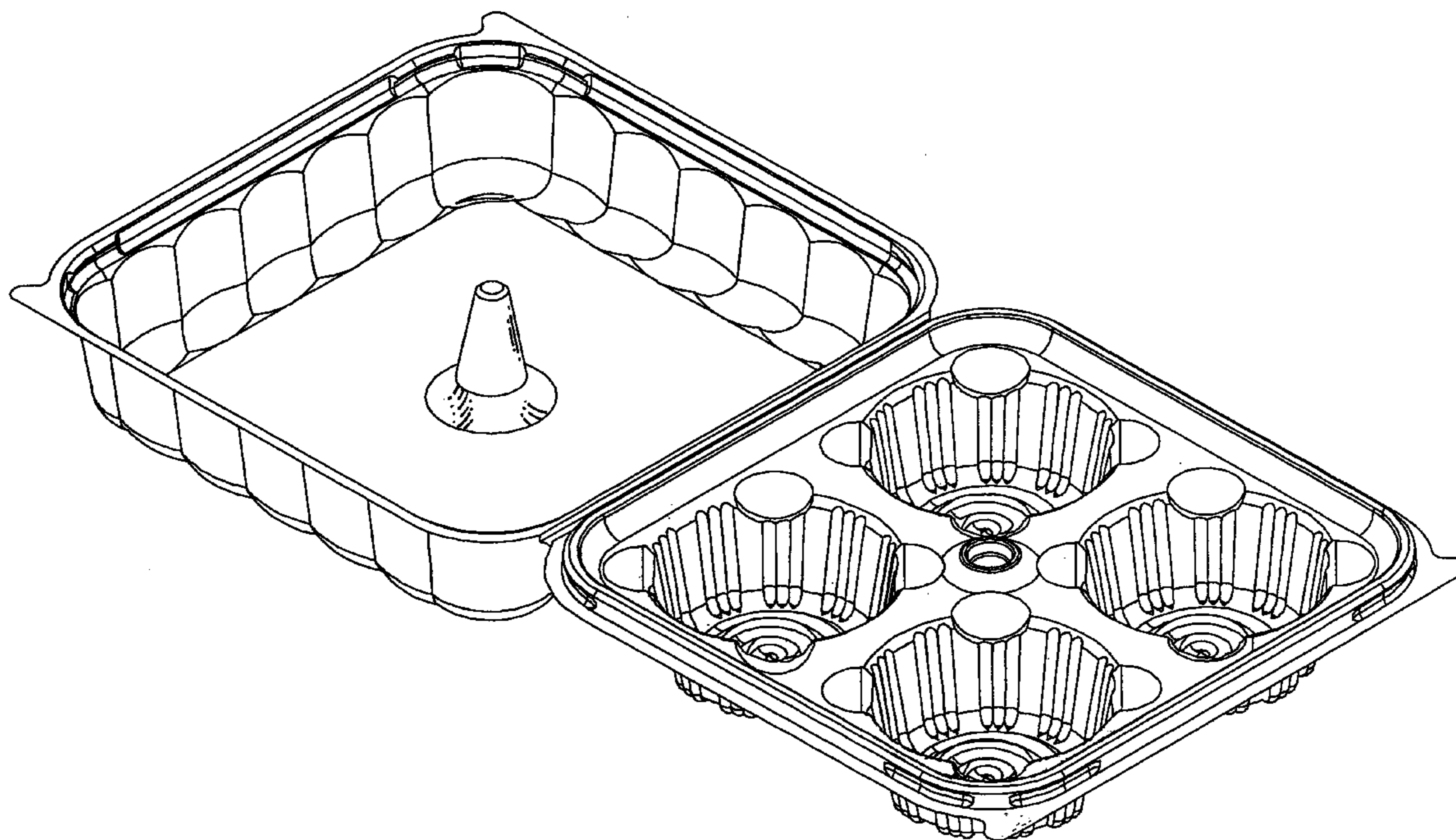
**DESCRIPTION**

FIG. 1 is an isometric view of a container for small cakes showing my design.  
FIG. 2 is a top view thereof.  
FIG. 3 is a bottom view thereof.  
FIG. 4 is a left side elevation view thereof, the right side elevation view being a mirror image thereof.  
FIG. 5 is a front elevation view thereof; and,  
FIG. 6 is a rear elevation view thereof.  
The design is of a container for small cakes that includes a bottom portion having recesses for receiving cakes, a top portion for covering the bottom portion, and a connecting portion forming a hinge.

(56) **References Cited**  
**U.S. PATENT DOCUMENTS**

- D224,928 S \* 10/1972 Wiley ..... D9/456
- D323,114 S \* 1/1992 Sheehan ..... D9/420
- D346,552 S \* 5/1994 Krupa ..... D9/757
- D348,608 S \* 7/1994 Wyslowsky ..... D9/425
- 5,456,379 A \* 10/1995 Krupa et al. .... 220/835
- D363,879 S \* 11/1995 Krupa et al. .... D9/423

**1 Claim, 6 Drawing Sheets**



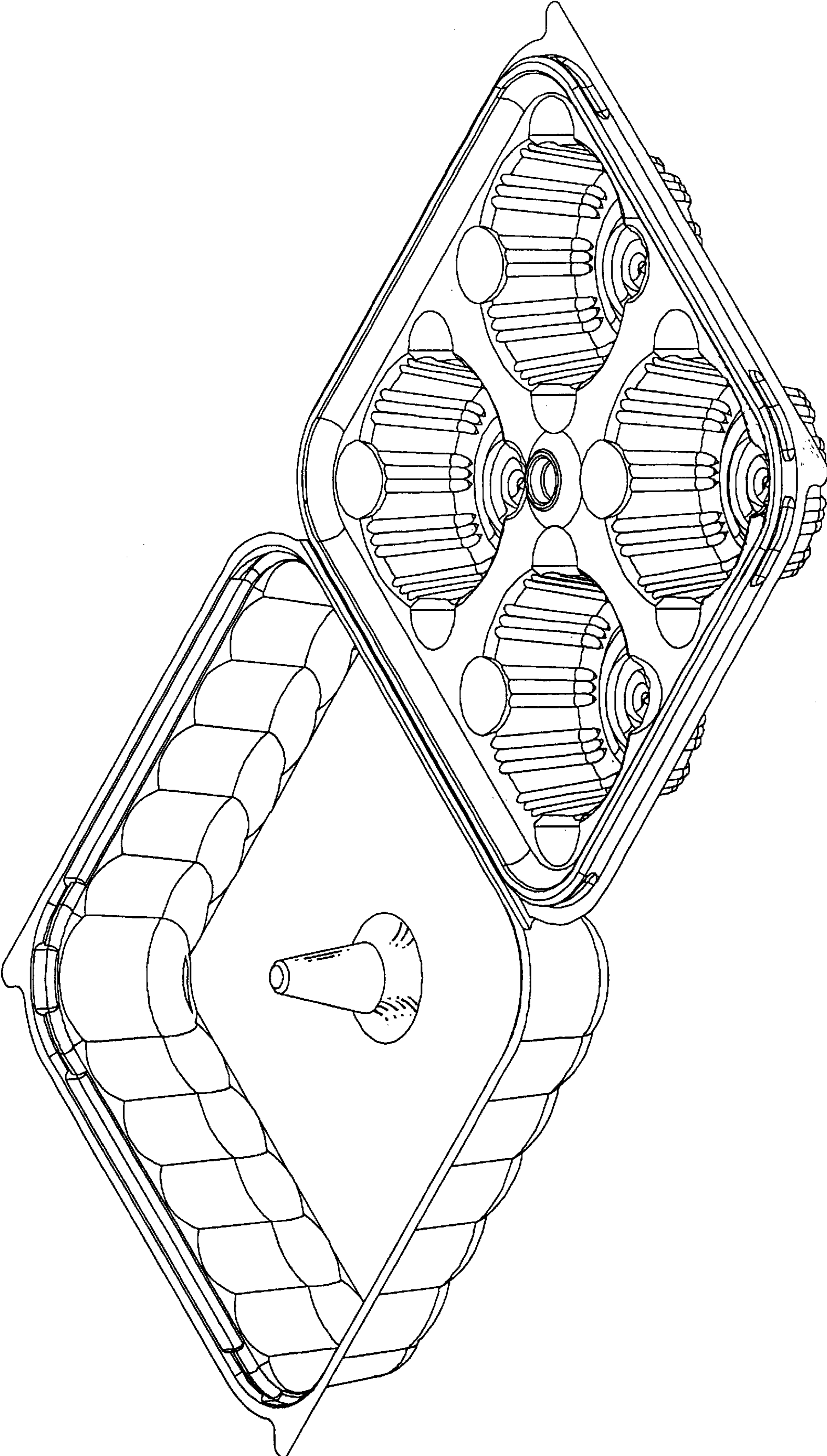


FIG. 1

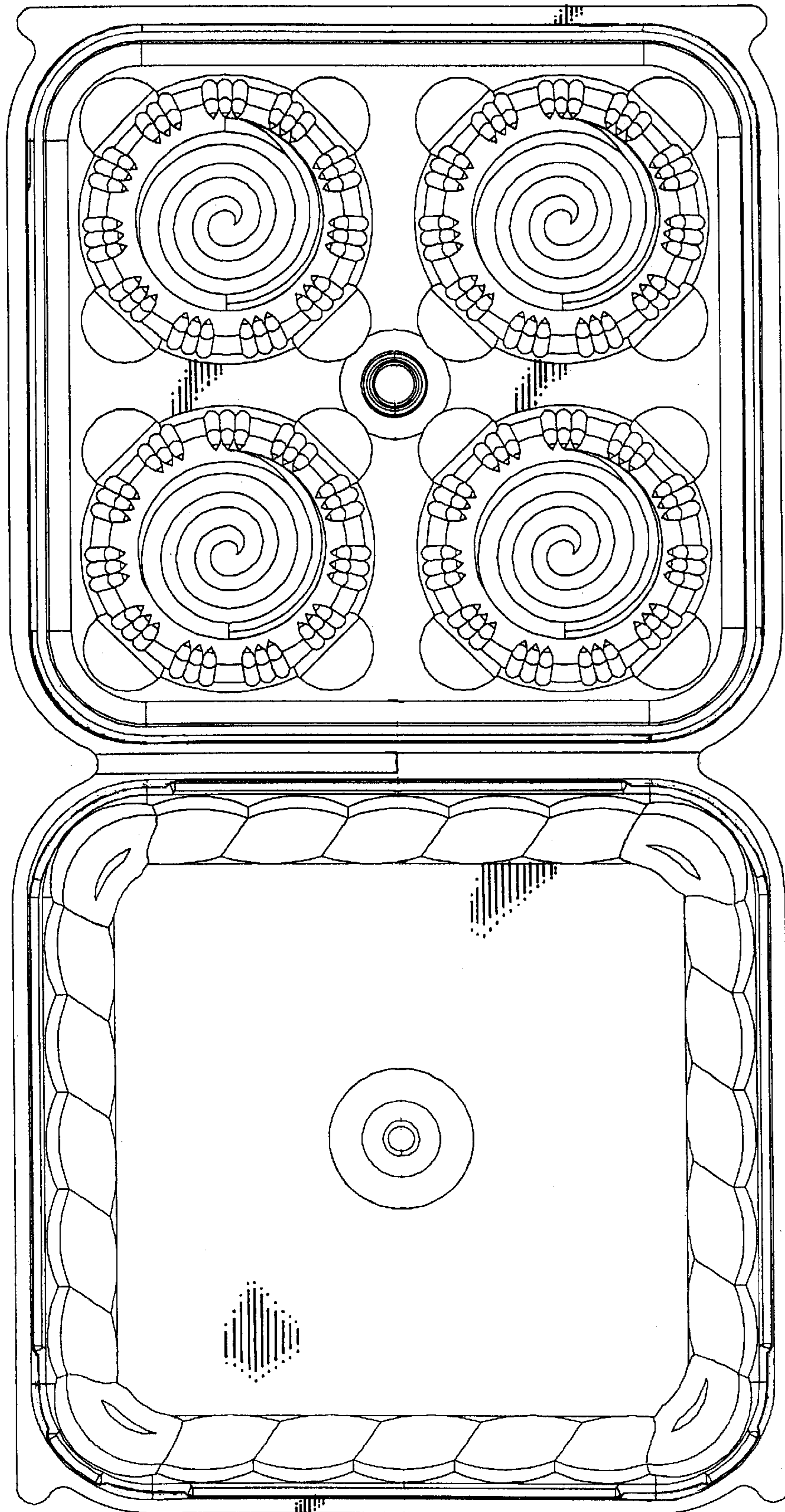


FIG. 2

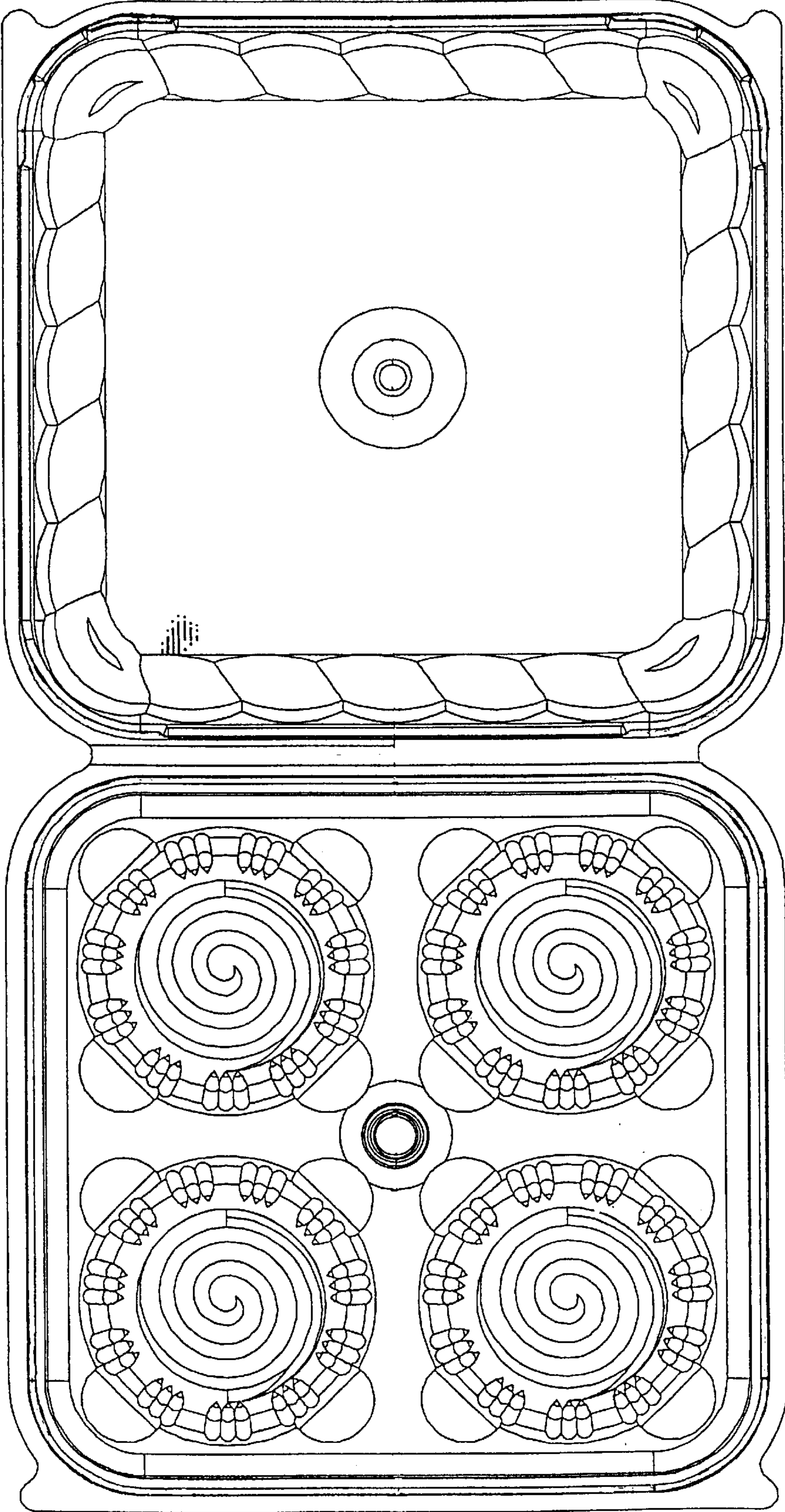


FIG. 3

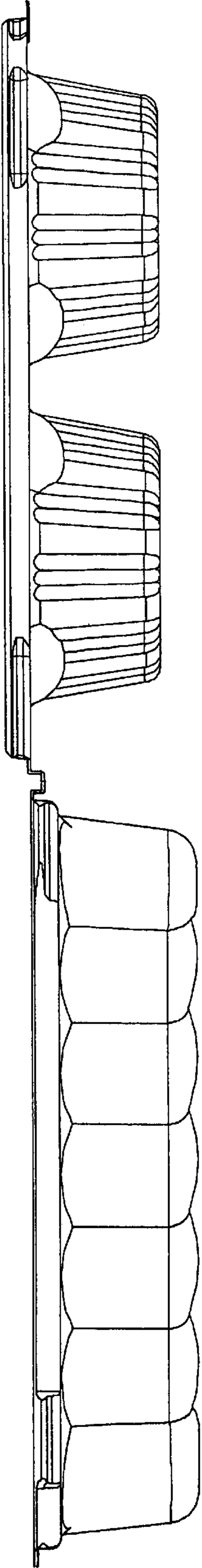


FIG.4

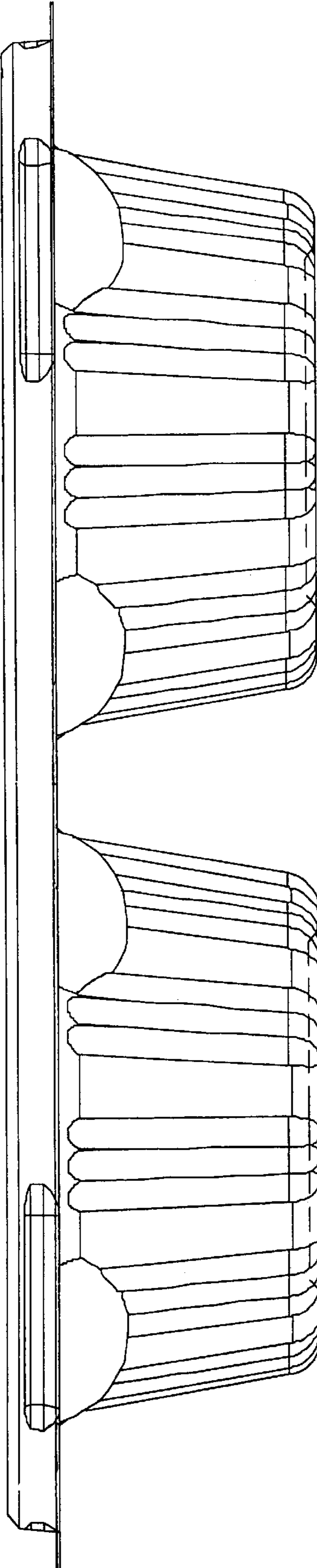


FIG.5

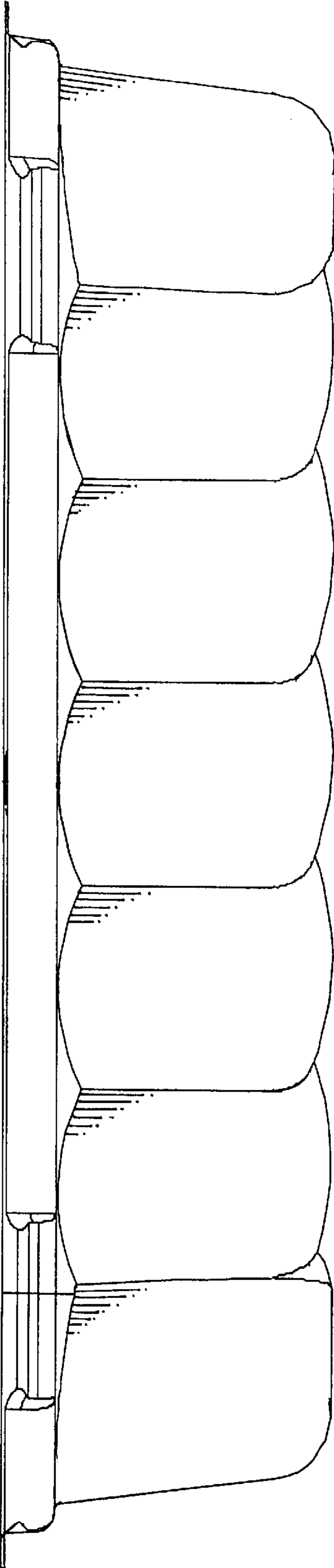


FIG.6