



US00D514446S

(12) **United States Design Patent**  
**Choi**

(10) **Patent No.: US D514,446 S**  
(45) **Date of Patent: \*\* Feb. 7, 2006**

(54) **TRANSPARENT DISPENSING LID**  
(75) Inventor: **Carol Choi, Irvine, CA (US)**  
(73) Assignee: **United Exchange Corporation,**  
**Cerritos, CA (US)**  
(\*\*) Term: **14 Years**

D433,333 S \* 11/2000 Kokenge et al. .... D9/449  
D444,063 S 6/2001 Buck et al.  
D457,433 S \* 5/2002 Costanzo et al. .... D9/454  
D471,456 S 3/2003 Young et al.  
6,554,156 B1 \* 4/2003 Chong ..... 221/63  
6,766,919 B2 \* 7/2004 Huang et al. .... 221/63  
6,889,867 B1 \* 5/2005 Smith ..... 221/33

(21) Appl. No.: **29/207,182**  
(22) Filed: **Jun. 8, 2004**  
(51) **LOC (8) Cl. .... 09-07**  
(52) **U.S. Cl. .... D9/449**  
(58) **Field of Classification Search .... D9/454,**  
**D9/449, 447, 446, 442, 440, 435, 434; 222/556;**  
**220/254.3; 215/235; D6/518; 221/63, 306,**  
**221/33, 36**  
See application file for complete search history.

**OTHER PUBLICATIONS**

The file history of U.S. Design Patent No. D471,456S.  
\* cited by examiner

*Primary Examiner*—Robert M. Spear  
*Assistant Examiner*—Susan Bennett Hattan  
(74) *Attorney, Agent, or Firm*—Kathleen L. Choi

(57) **CLAIM**

The ornamental design for a transparent dispensing lid, as shown and described herein.

(56) **References Cited**

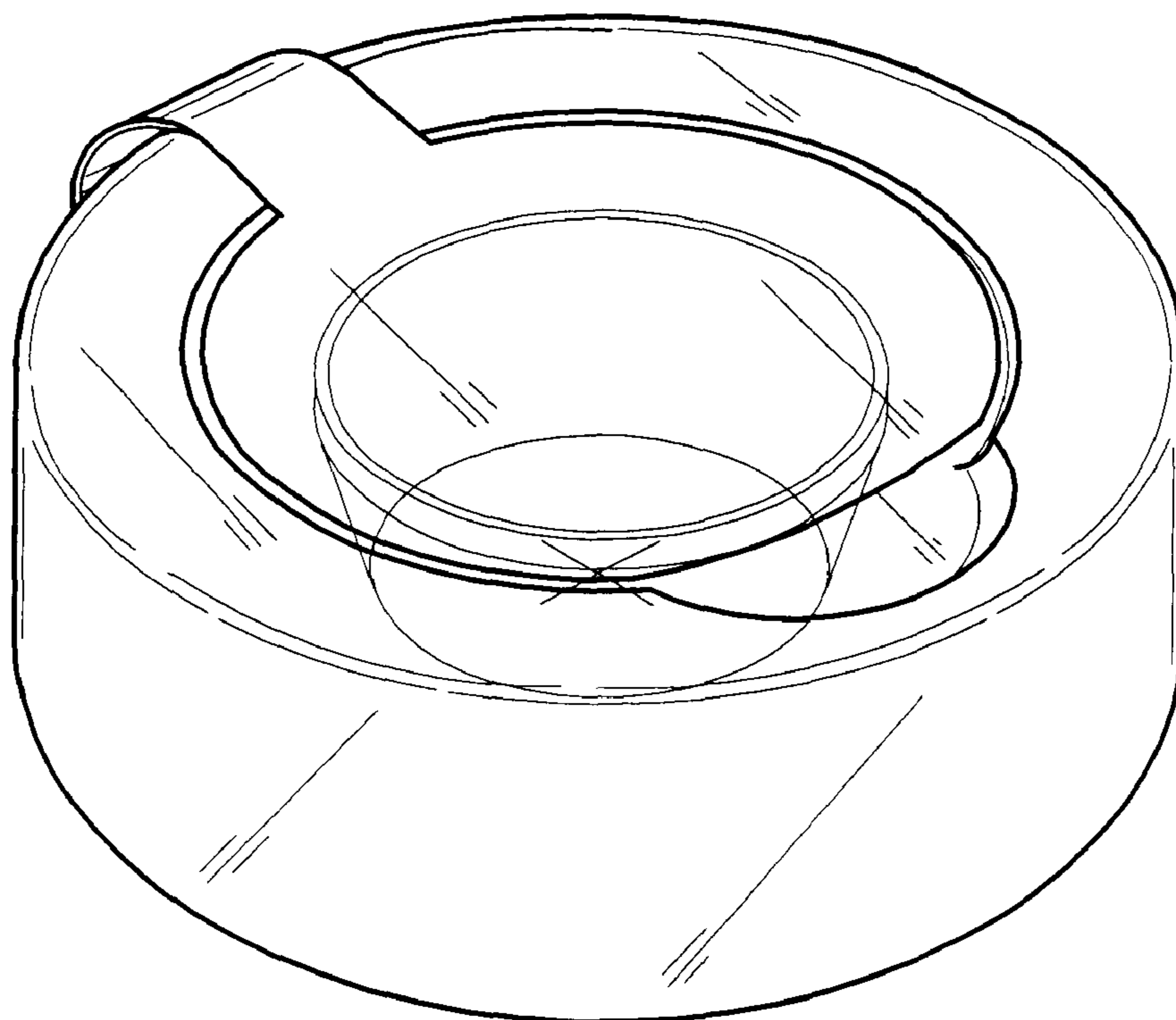
**U.S. PATENT DOCUMENTS**

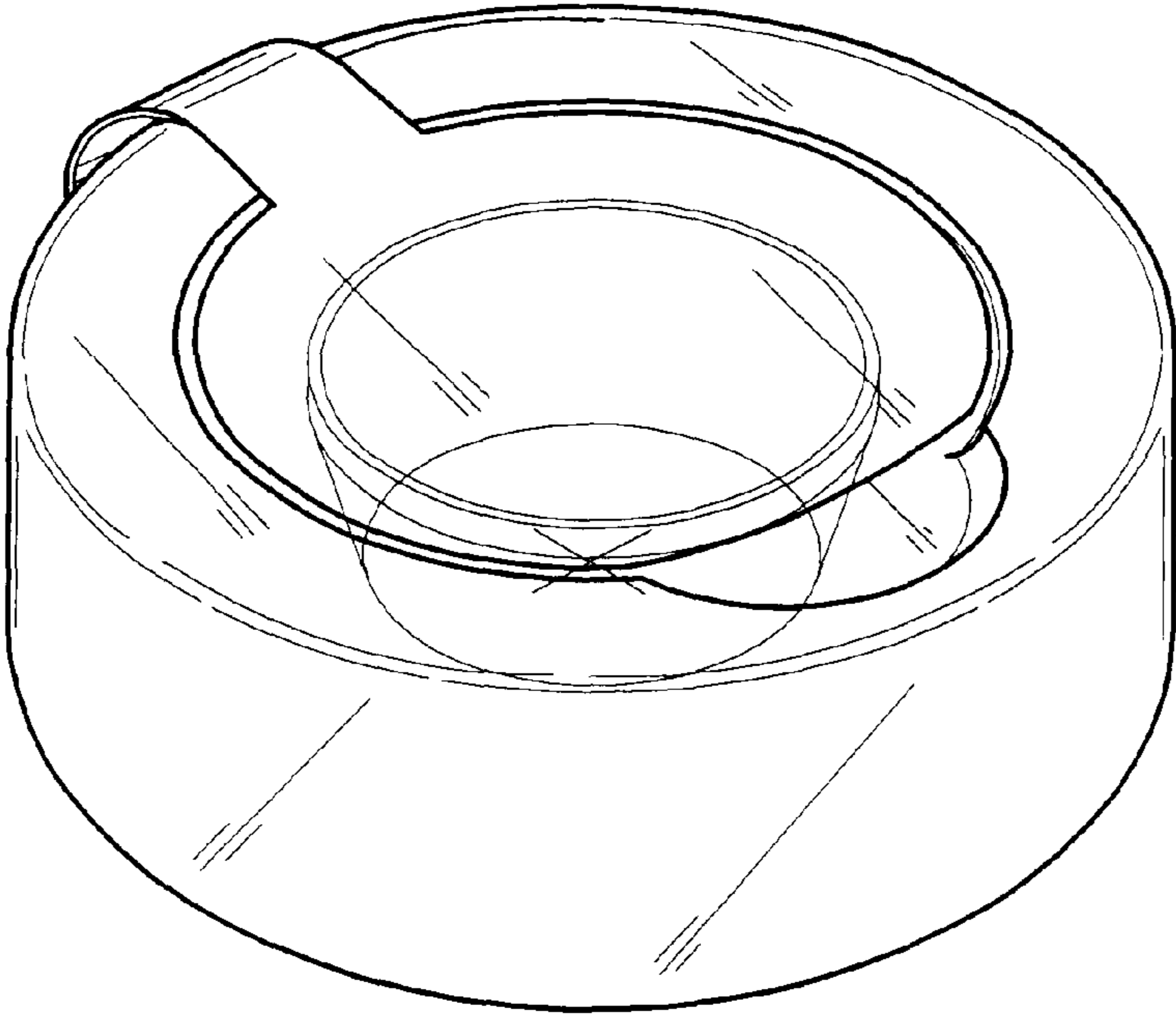
4,337,876 A \* 7/1982 Thompson ..... 221/36  
D286,750 S \* 11/1986 Hamilton et al. .... D9/446  
D295,831 S \* 5/1988 Urion ..... D9/438  
D296,765 S 7/1988 Urion  
D355,121 S \* 2/1995 Kohl ..... D9/447  
5,415,312 A \* 5/1995 Mueller ..... 220/254.3  
D369,942 S \* 5/1996 Ahern, Jr. .... D9/447  
5,908,138 A 6/1999 Vlahakis et al.  
D414,637 S \* 10/1999 Amundson et al. .... D6/518

**DESCRIPTION**

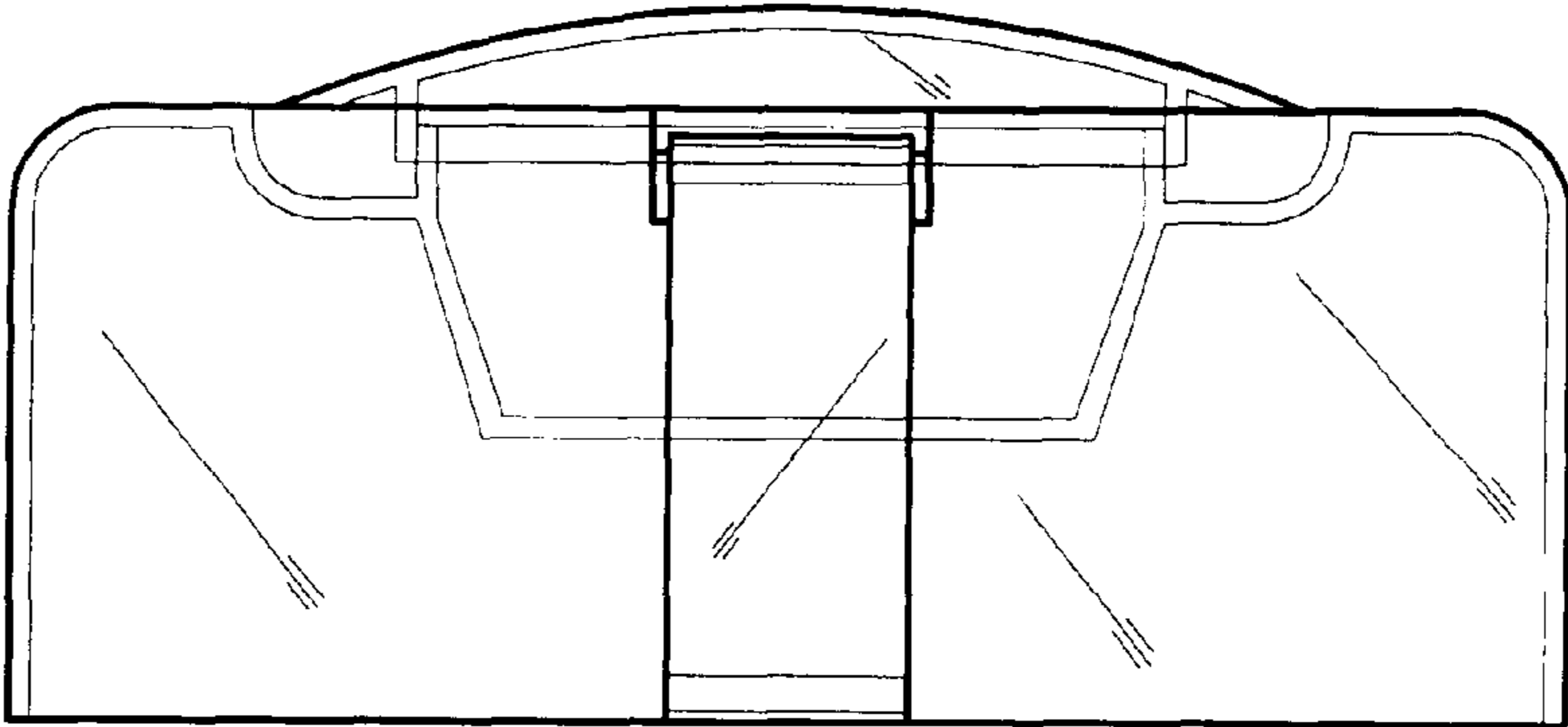
FIG. 1 is a perspective view of a transparent dispensing lid showing my new design in a closed position; FIG. 2 is a rear elevation view thereof; FIG. 3 is a top plan view thereof; FIG. 4 is a front elevation view thereof; and, FIG. 5 is a right elevation view thereof, which is a mirror image of a left elevation view thereof.

**1 Claim, 2 Drawing Sheets**





*FIG. 1*



*FIG. 2*

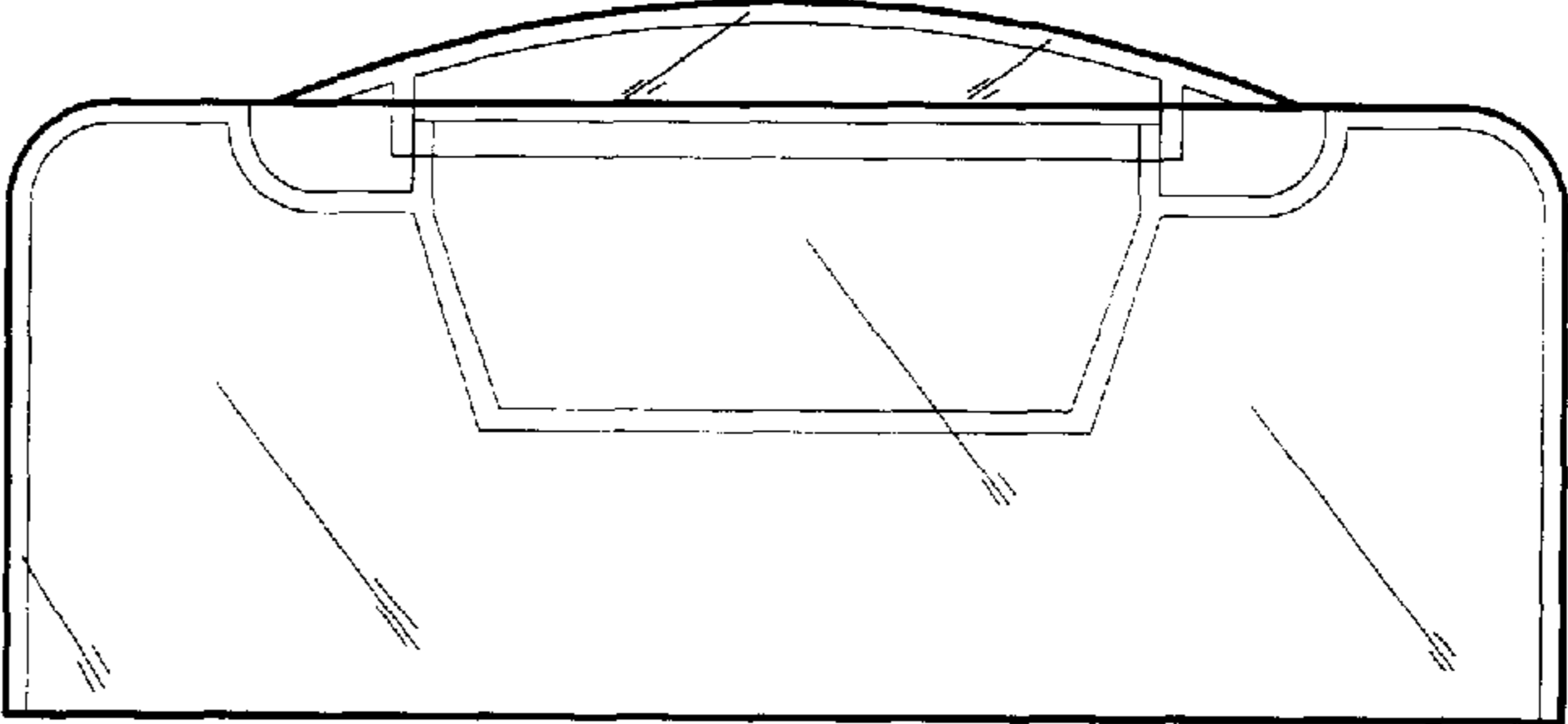


FIG. 4

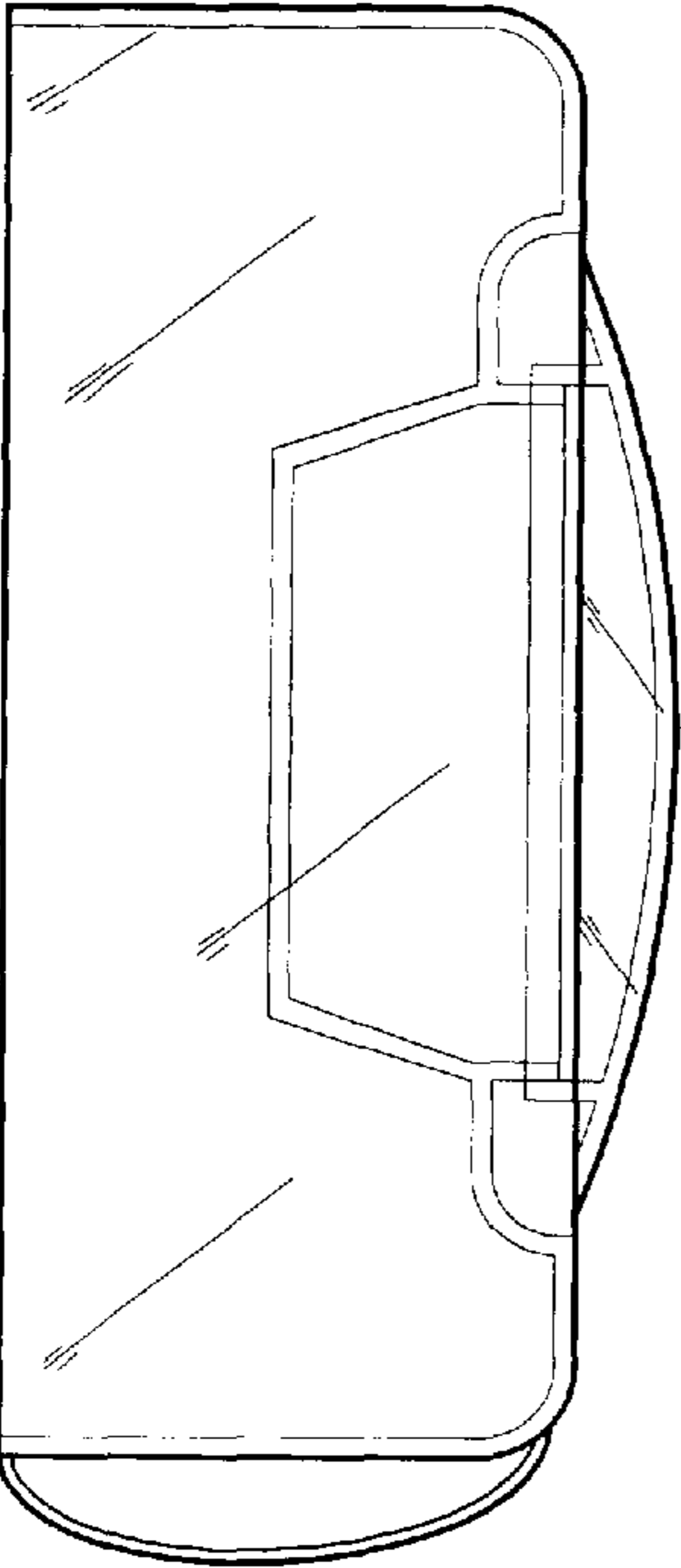


FIG. 5

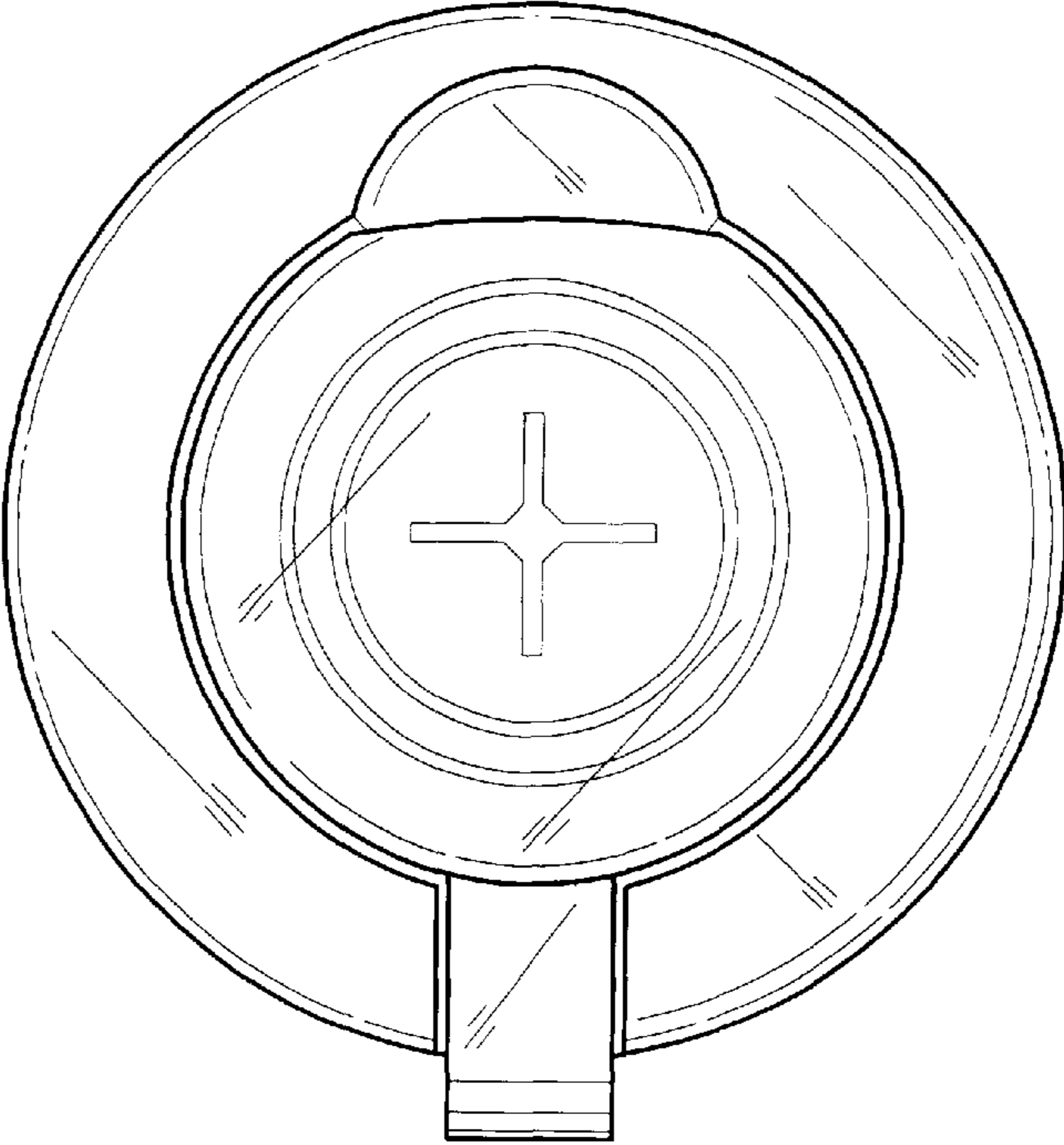


FIG. 3