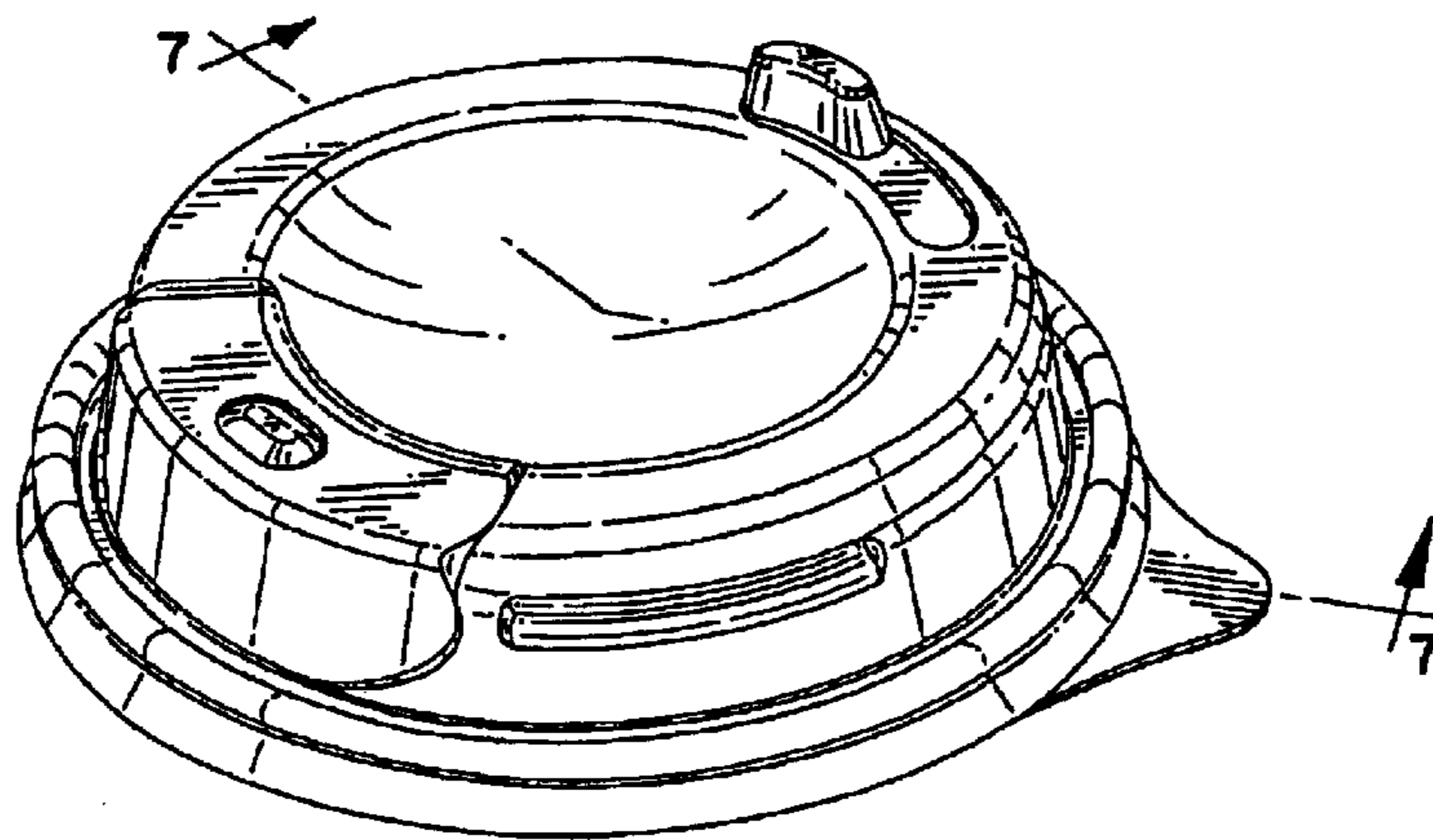




US00D514444S

(12) **United States Design Patent** (10) Patent No.: **US D514,444 S**
Smith et al. (45) Date of Patent: **** Feb. 7, 2006**

- (54) **RECLOSABLE CONTAINER LID** 3,083,861 A 4/1963 Amberg et al.
 3,188,036 A 6/1965 Sprung
 3,193,130 A 7/1965 Miller
 3,262,612 A 7/1966 Tabor
 3,326,401 A 6/1967 De Long
 3,327,905 A 6/1967 Gould
 3,459,324 A 8/1969 Miller
 3,690,514 A 9/1972 Wilson
 3,805,991 A 4/1974 Cheladze et al.
 3,874,580 A 4/1975 Weatherhead, III
 3,994,411 A 11/1976 Elfelt et al.
 4,091,956 A 5/1978 Vecchio
 4,138,033 A 2/1979 Payne et al.
 4,141,461 A 2/1979 LaChance
 4,183,443 A 1/1980 DeParales et al.
 4,188,457 A 2/1980 Throp
 4,203,527 A 5/1980 LaChance, Sr.
 4,209,126 A * 6/1980 Elias 215/232
 4,253,582 A 3/1981 Shields
 4,331,255 A 5/1982 Fournier
 4,333,583 A 6/1982 Montemarano
 4,345,695 A 8/1982 Galloway et al.
 4,347,946 A 9/1982 Nichols
 4,350,260 A 9/1982 Prueher
 4,361,249 A 11/1982 Tuneski et al.
 4,420,092 A 12/1983 Finkelstein
 4,441,624 A 4/1984 Sokolowski
 4,449,640 A 5/1984 Finkelstein
 4,460,103 A 7/1984 Rama et al.
 4,478,346 A 10/1984 Spong
 4,503,992 A 3/1985 Sitko et al.
 4,557,398 A 12/1985 Hambleton et al.
 4,570,817 A 2/1986 Hambleton et al.
 4,579,245 A 4/1986 Narushko
 4,589,569 A 5/1986 Clements
 4,598,837 A 7/1986 Kreiseder et al.
 4,615,459 A 10/1986 Clements
 4,619,372 A 10/1986 McFarland
 4,629,088 A 12/1986 Durgin
 4,657,139 A 4/1987 Hanifl
 4,703,873 A 11/1987 Geren
 4,705,197 A 11/1987 Gordon et al.
 4,718,570 A 1/1988 Diener
 4,738,373 A 4/1988 DeParales
 4,741,450 A 5/1988 Braude
 4,747,511 A 5/1988 Dutt et al.
 4,753,365 A 6/1988 Seppala
 4,770,325 A 9/1988 Gordon et al.
 4,782,975 A 11/1988 Coy
- (75) Inventors: **Stephen Alan Smith**, Naperville, IL (US); **Warren Giles Wiedmeyer**, Trevor, WI (US); **John Stewart Gitschlag**, Chicago, IL (US); **James Tam Joines, Jr.**, Gurnee, IL (US); **Bryce G. Rutter**, St. Louis, MO (US); **Brian C. Bone**, St. Louis, MO (US); **Kevin Ray Smith**, Round Lake Beach, IL (US)
- (73) Assignee: **Solo Cup Company**, Highland Park, IL (US)
- (*) Notice: This patent is subject to a terminal disclaimer.
- (**) Term: **14 Years**
- (21) Appl. No.: **29/186,583**
- (22) Filed: **Jul. 18, 2003**
- (51) **LOC (8) Cl.** **09-07**
- (52) **U.S. Cl.** **D9/447; D9/454; D9/449; D9/450**
- (58) **Field of Classification Search** D9/434, D9/435, 436, 438, 447, 450, 449, 454, 503; D7/392.1, 511; 215/307, 316, 317, 324, 387, 215/232, 384; 220/200, 306, 307, 711, 713, 220/729
- See application file for complete search history.
- (56) **References Cited**
- U.S. PATENT DOCUMENTS**
- | | | | | | |
|--------------|--------|---------------------|-------------|---------|---------------|
| 1,237,228 A | 8/1917 | Westover | 4,703,873 A | 11/1987 | Geren |
| 1,725,393 A | 8/1929 | Cone | 4,705,197 A | 11/1987 | Gordon et al. |
| 1,752,720 A | 4/1930 | Bergelson | 4,718,570 A | 1/1988 | Diener |
| 1,896,976 A | 2/1933 | Schifferdecker | 4,738,373 A | 4/1988 | DeParales |
| 2,121,554 A | 6/1938 | Thorn | 4,741,450 A | 5/1988 | Braude |
| 2,495,806 A | 1/1950 | Block | 4,747,511 A | 5/1988 | Dutt et al. |
| 2,554,710 A | 5/1951 | Leccese | 4,753,365 A | 6/1988 | Seppala |
| D182,779 S * | 5/1958 | Tupper D9/503 | 4,770,325 A | 9/1988 | Gordon et al. |
| 3,031,111 A | 4/1962 | Stull | 4,782,975 A | 11/1988 | Coy |



4,790,444 A 12/1988 Terzi
 4,792,054 A 12/1988 Weidman
 4,796,774 A 1/1989 Nabinger
 4,863,051 A 9/1989 Eibner et al.
 4,869,389 A 9/1989 Cerrone, Jr.
 4,874,103 A 10/1989 Quisenberry et al.
 4,898,295 A 2/1990 Kim
 4,899,902 A 2/1990 DeMars
 4,915,250 A 4/1990 Hayes, Jr.
 4,930,654 A 6/1990 Thibeault et al.
 4,932,555 A 6/1990 La Barge
 4,938,379 A 7/1990 Kellner
 4,949,865 A 8/1990 Turner
 4,953,743 A 9/1990 Dart et al.
 4,966,300 A 10/1990 Coonradt
 4,981,229 A * 1/1991 Lanham 215/232
 5,012,061 A 4/1991 Lesser
 5,090,584 A 2/1992 Roberts et al.
 5,111,961 A 5/1992 Van Melle
 5,148,936 A 9/1992 DeGrow
 5,167,338 A 12/1992 Kick
 5,180,073 A 1/1993 Fay et al.
 5,183,172 A 2/1993 Boller
 5,193,704 A 3/1993 Kick
 5,197,624 A 3/1993 Doddaro
 5,205,430 A 4/1993 Valyi
 5,294,014 A 3/1994 Wyatt et al.
 D346,718 S 5/1994 Timmermans
 5,395,006 A 3/1995 Verma
 5,398,843 A 3/1995 Warden et al.
 5,415,312 A 5/1995 Mueller
 5,421,472 A 6/1995 Beckertgis
 D360,361 S * 7/1995 Tallent D9/436
 5,449,085 A 9/1995 Brun, Jr.
 5,485,938 A 1/1996 Boersma
 5,490,609 A 2/1996 Lane et al.
 5,495,941 A 3/1996 Leonard
 5,497,920 A 3/1996 Moeller et al.
 D368,624 S * 4/1996 Forrer D7/392.1
 5,503,289 A 4/1996 Fox
 5,503,662 A 4/1996 Berger
 5,588,561 A 12/1996 Ness
 5,613,619 A 3/1997 Van Melle
 5,699,927 A 12/1997 Lane et al.
 5,706,972 A 1/1998 Sousa
 5,718,353 A 2/1998 Kanfer et al.
 5,727,707 A 3/1998 Wickland et al.
 5,766,660 A 6/1998 Lee et al.
 5,775,205 A 7/1998 Melton
 5,839,601 A 11/1998 Van Melle
 D402,556 S * 12/1998 Frye D9/447
 5,866,184 A 2/1999 Gorlich et al.
 5,873,298 A 2/1999 Chang
 5,911,331 A 6/1999 Boller
 5,913,964 A 6/1999 Melton
 5,947,319 A 9/1999 Sinski
 5,947,323 A 9/1999 Freek et al.
 5,954,241 A 9/1999 Huang
 5,979,689 A 11/1999 Lansky
 5,984,127 A 11/1999 Fenton
 5,996,837 A 12/1999 Freek et al.
 6,003,711 A 12/1999 Bilewitz
 6,010,029 A 1/2000 Wang
 6,089,397 A 7/2000 Van Melle
 6,095,033 A 8/2000 Melton
 6,176,384 B1 1/2001 Voloshin
 D437,223 S * 2/2001 Coy et al. D9/447
 6,199,711 B1 3/2001 Lansky
 6,216,904 B1 4/2001 Cagan
 6,220,470 B1 4/2001 McHenry et al.
 6,305,571 B1 10/2001 Chu

6,374,726 B1 4/2002 Melton
 6,419,105 B1 7/2002 Bruce et al.
 6,472,007 B2 * 10/2002 Bezek et al. 215/384
 6,578,726 B1 6/2003 Schaefer
 D476,566 S * 7/2003 Smith et al. D9/447
 6,612,456 B1 9/2003 Hundley et al.
 D480,968 S 10/2003 Atkins et al.
 6,644,490 B2 11/2003 Clarke
 2002/0027139 A1 3/2002 O'Neill
 2003/0089713 A1 5/2003 Belt et al.
 2003/0089714 A1 5/2003 Dart et al.
 2003/0141302 A1 7/2003 Ryan et al.

FOREIGN PATENT DOCUMENTS

CH	393 955	11/1965
DE	18 16 709 A	2/1970
DE	295 02 654 U1	8/1995
EP	0 160 372 A	11/1985
EP	0 383 442 A1	8/1990
GB	1 576 126 A	10/1980
GB	1 600 917	10/1981
GB	2 091 232 A	7/1982
GB	2 182 027 A	5/1987
JP	07-309379	11/1995
JP	10-129706 A	5/1998
JP	2000-159254	6/2000
WO	WO 99 47429	9/1999
WO	WO 00 51908	9/2000

OTHER PUBLICATIONS

US 6,003,721, 12/1999, Fleming (withdrawn)
 Copy of photograph of Starbucks Cup/Lid obtained through market research, Apr. 2000.
 Copy of photograph of Super America Cup/Lid obtained through market research, Apr. 2000.
 Copy of photograph of Dunkin Donuts Cup/Lid obtained through market research, Apr. 2000.
 Seven (7) color photographs showing different views of Whirley Thermo Mug/Lid obtained in Feb. 2003.
 Berrington, N., *International Search Report*, Sep. 4, 2002, 6 pp., Patent Cooperation Treaty, Rijswijk, Netherlands.

* cited by examiner

Primary Examiner—Louis S. Zarfaz
Assistant Examiner—Gregory Andoll
 (74) *Attorney, Agent, or Firm*—Wallenstein Wagner & Rockety, Ltd.

(57) CLAIM

What is claimed is the ornamental design for a reclosable container lid, as shown and described.

DESCRIPTION

FIG. 1 is a perspective view of a reclosable container lid of the invention, showing the lid in a closed position;
 FIG. 2 is a side view of the reclosable container lid of FIG. 1;
 FIG. 3 is a side view of the reclosable container lid of FIG. 1;
 FIG. 4 is a side view of the reclosable container lid of FIG. 1;
 FIG. 5 is a side view of the reclosable container lid of FIG. 1;
 FIG. 6 is a top view of the reclosable container lid of FIG. 1, showing the lid in a closed position; and,

FIG. 7 is a sectional view of the reclosable container lid taken along line 7—7 of FIG. 1, showing the contour of the lid.

1 Claim, 2 Drawing Sheets

FIG. 1

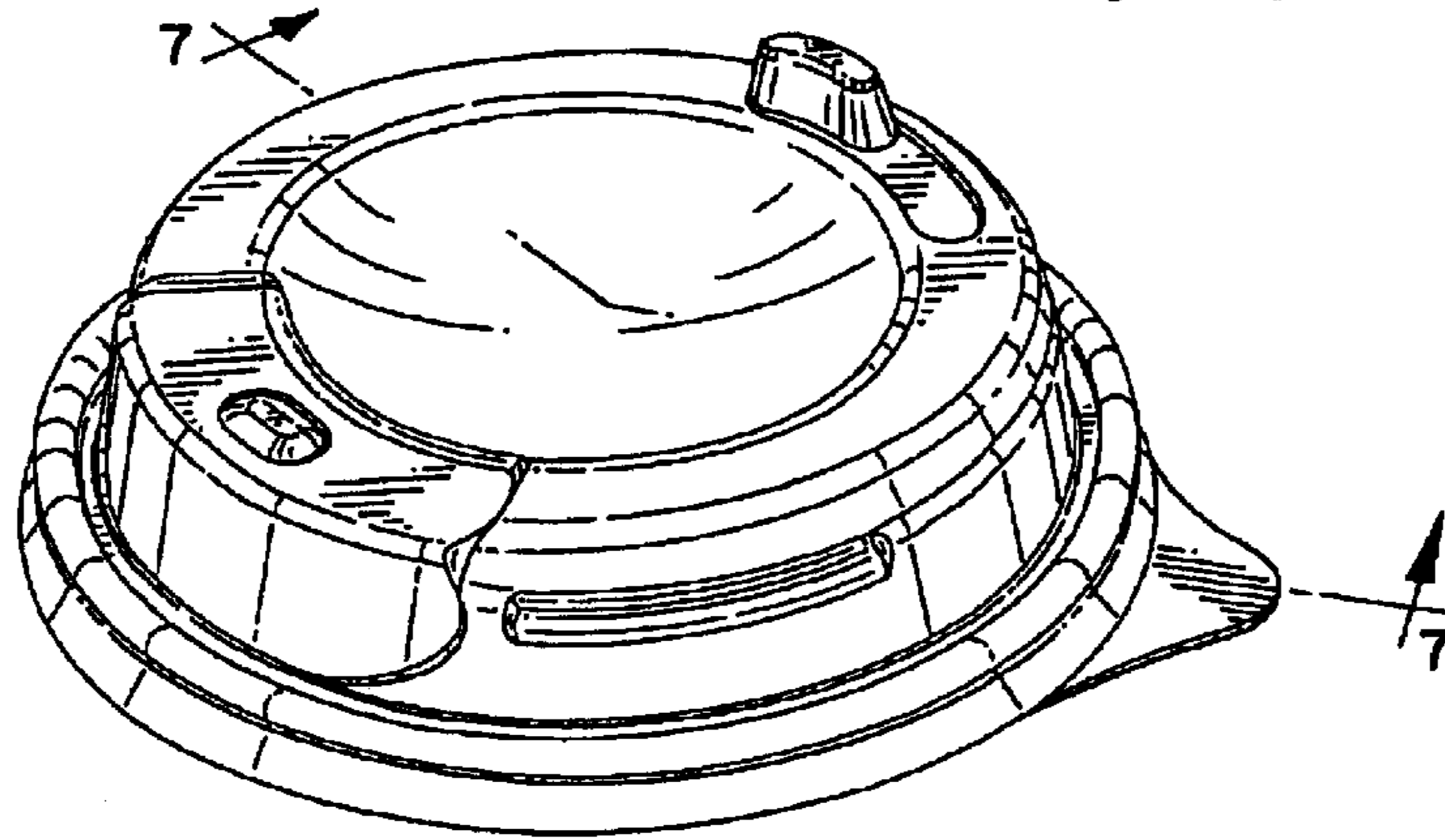


FIG. 2

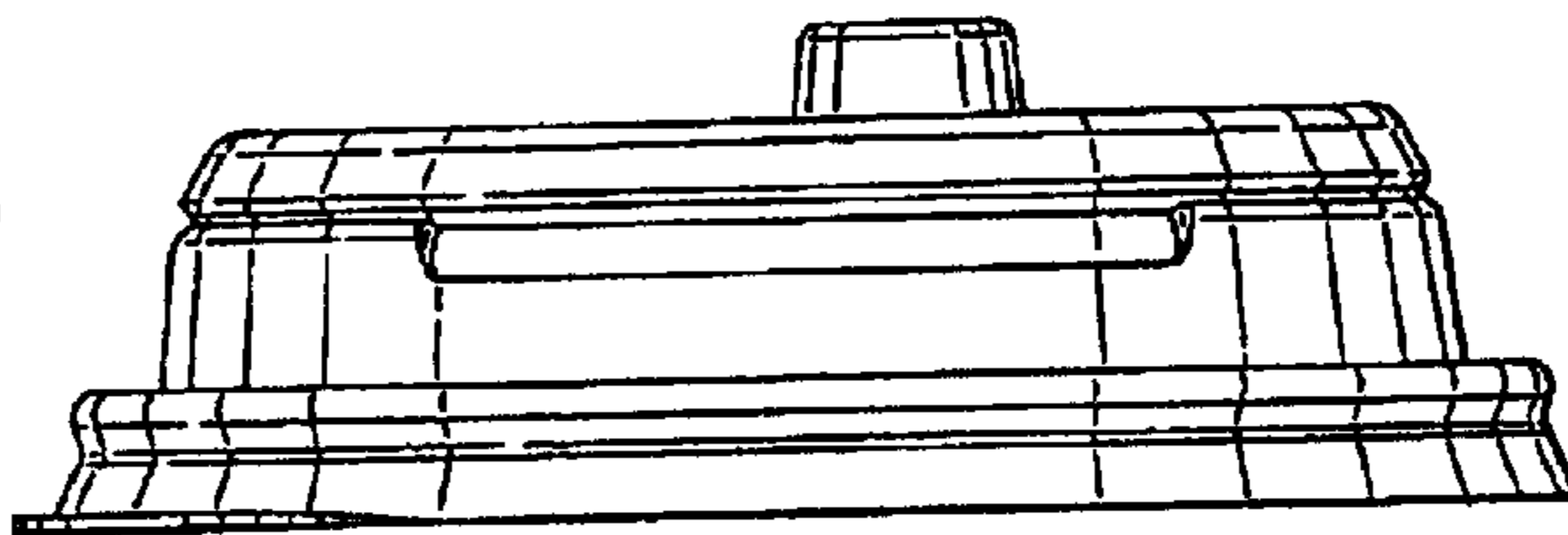


FIG. 3

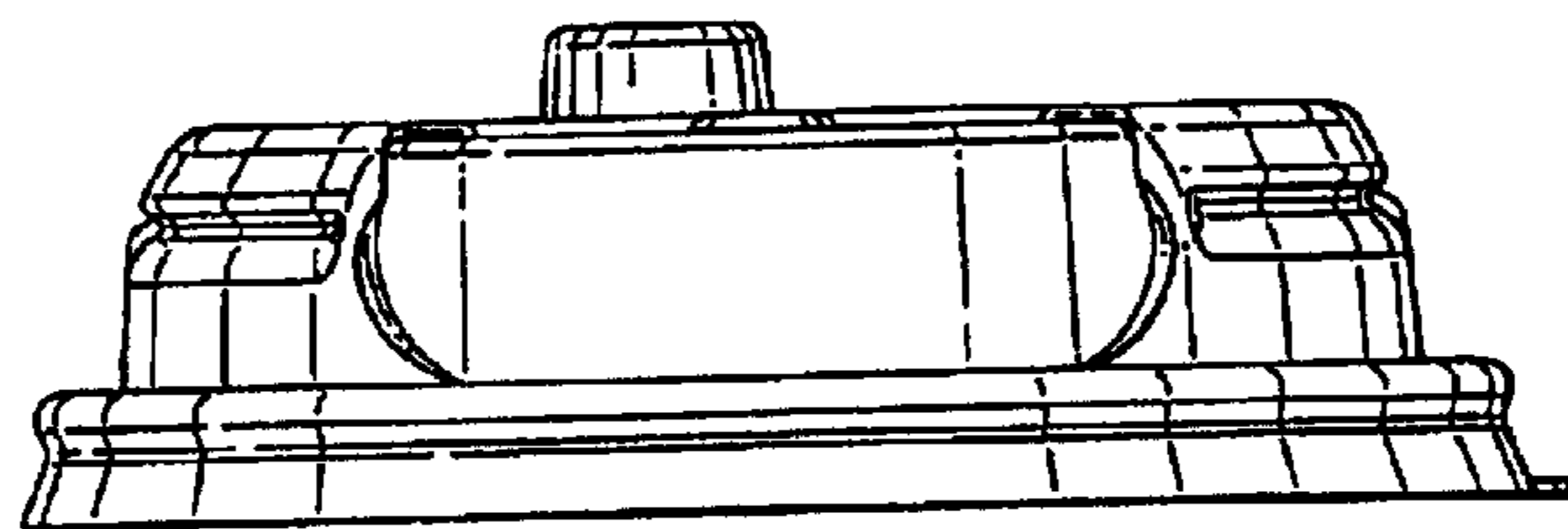


FIG. 4

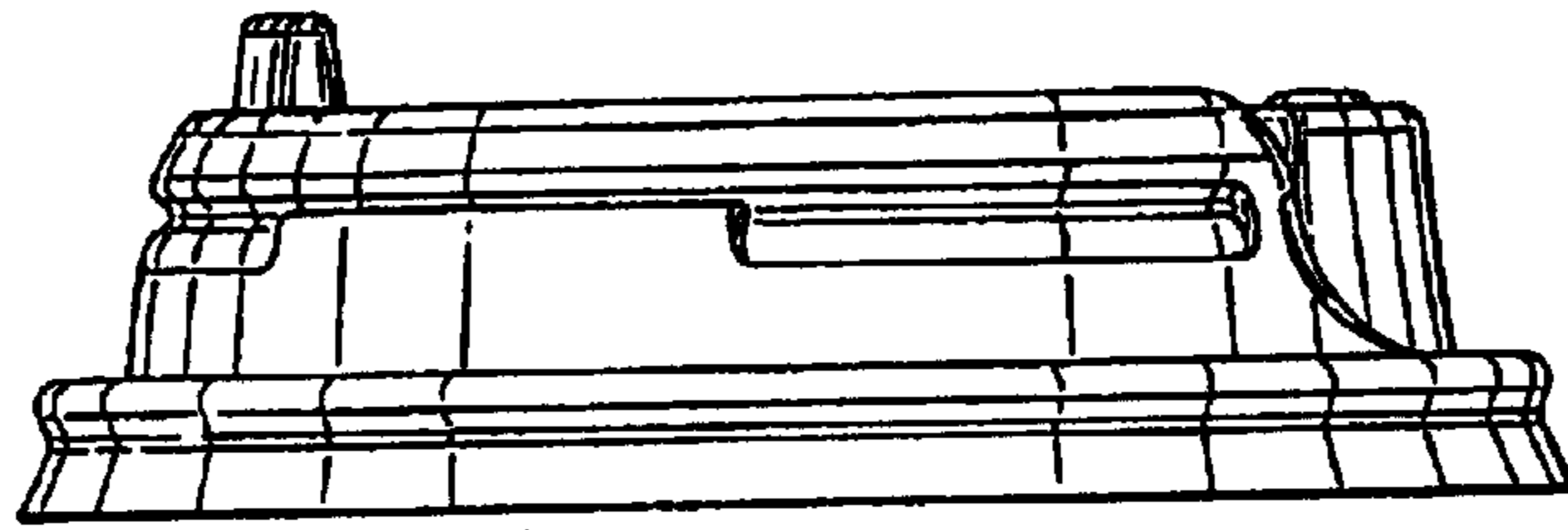


FIG. 5

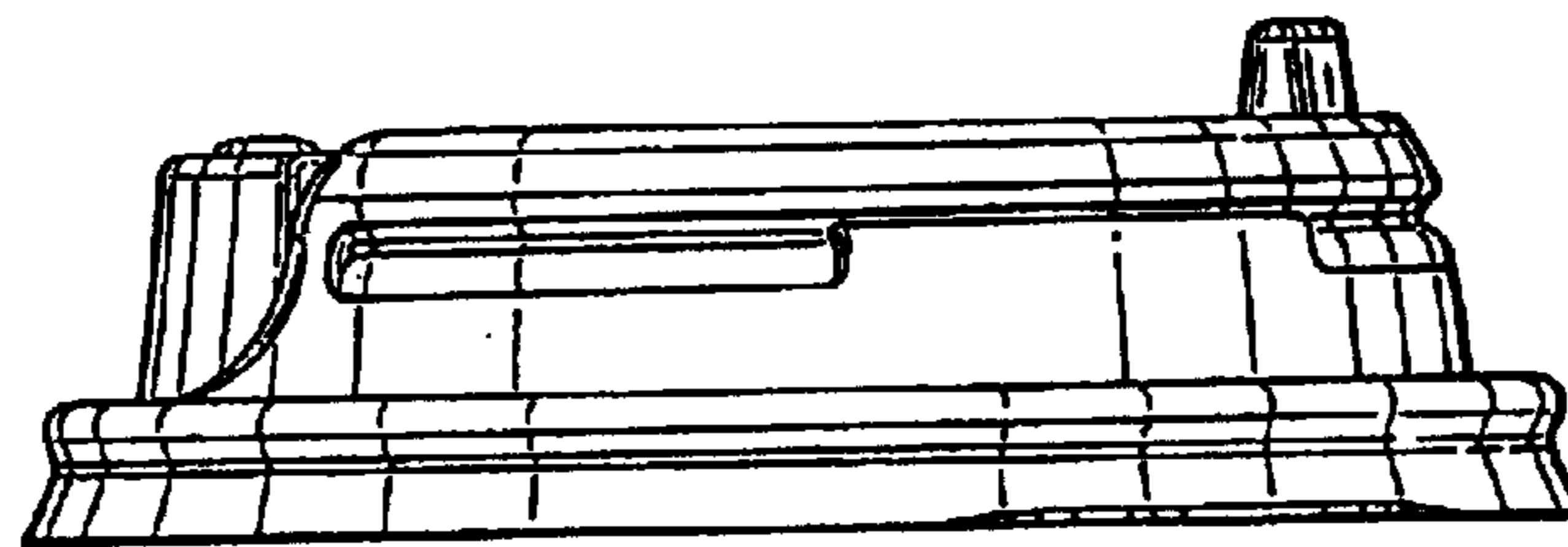


FIG. 6

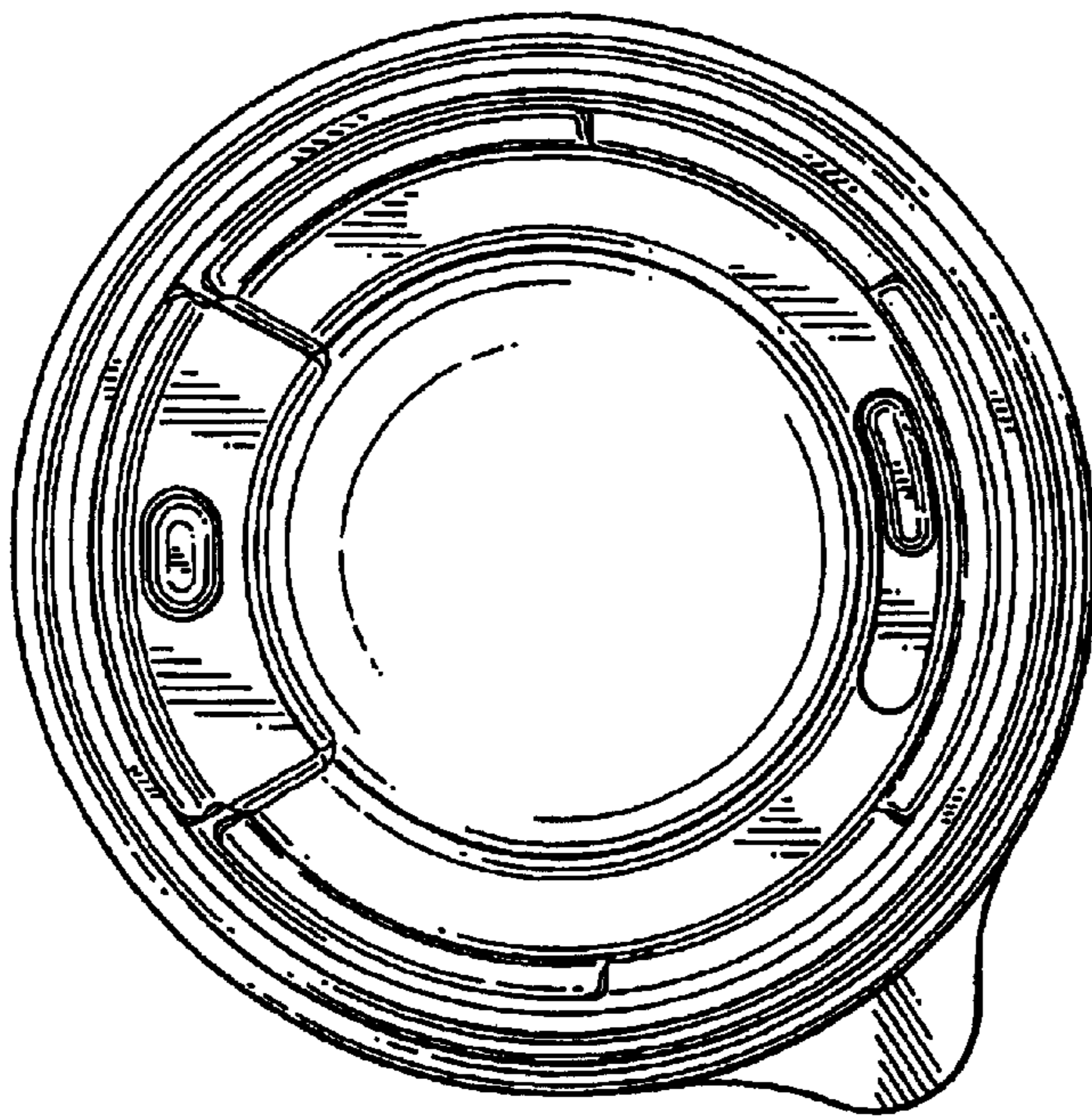


FIG. 7

