



US00D514442S

(12) **United States Design Patent** (10) **Patent No.:** **US D514,442 S**
Lowe (45) **Date of Patent:** **** Feb. 7, 2006**

(54) **ORNAMENTAL PACKAGE GROUPING**

Primary Examiner—Sandra L. Morris

(76) Inventor: **Patrice Lowe**, 631 Lunar, Brea, CA (US) 92821

(74) *Attorney, Agent, or Firm*—Mind Law Firm; Jeromye V. Sartain

(**) Term: **14 Years**

(57) **CLAIM**

(21) Appl. No.: **29/182,151**

The ornamental design for an ornamental package grouping, as shown and described.

(22) Filed: **May 19, 2003**

(51) **LOC (8) Cl.** **09-03**

DESCRIPTION

(52) **U.S. Cl.** **D9/428; D9/503; D7/505; D7/615**

(58) **Field of Classification Search** D7/505, D7/622, 701, 538, 584, 610, 612, 615, 629–630, D7/703; D9/503, 744–746, 428–429, 605; 206/503–504, 549, 508–509; 220/23.6, 23.83, 220/23.4

See application file for complete search history.

FIG. 1 shows a top perspective view of a three-package embodiment of the present invention;
 FIG. 2 shows a side perspective view of a three-package embodiment of the present invention;
 FIG. 3 shows a side view of a three-package embodiment of the present invention;
 FIG. 4 shows a top perspective view of a four-package embodiment of the present invention;
 FIG. 5 shows a side perspective view of a four-package embodiment of the present invention;
 FIG. 6 shows a side view of a four-package embodiment of the present invention;
 FIG. 7 shows a top perspective view of a five-package embodiment of the present invention;
 FIG. 8 shows a side perspective view of a five-package embodiment of the present invention;
 FIG. 9 shows a side view of a five-package embodiment of the present invention;
 FIG. 10 shows a top perspective view of a five-package embodiment of the present invention with a ribbon securing the packages;
 FIG. 11 shows a side perspective view of a five-package embodiment of the present invention with a ribbon securing the packages; and,
 FIG. 12 shows a side view of a five-package embodiment of the present invention with a ribbon securing the packages.

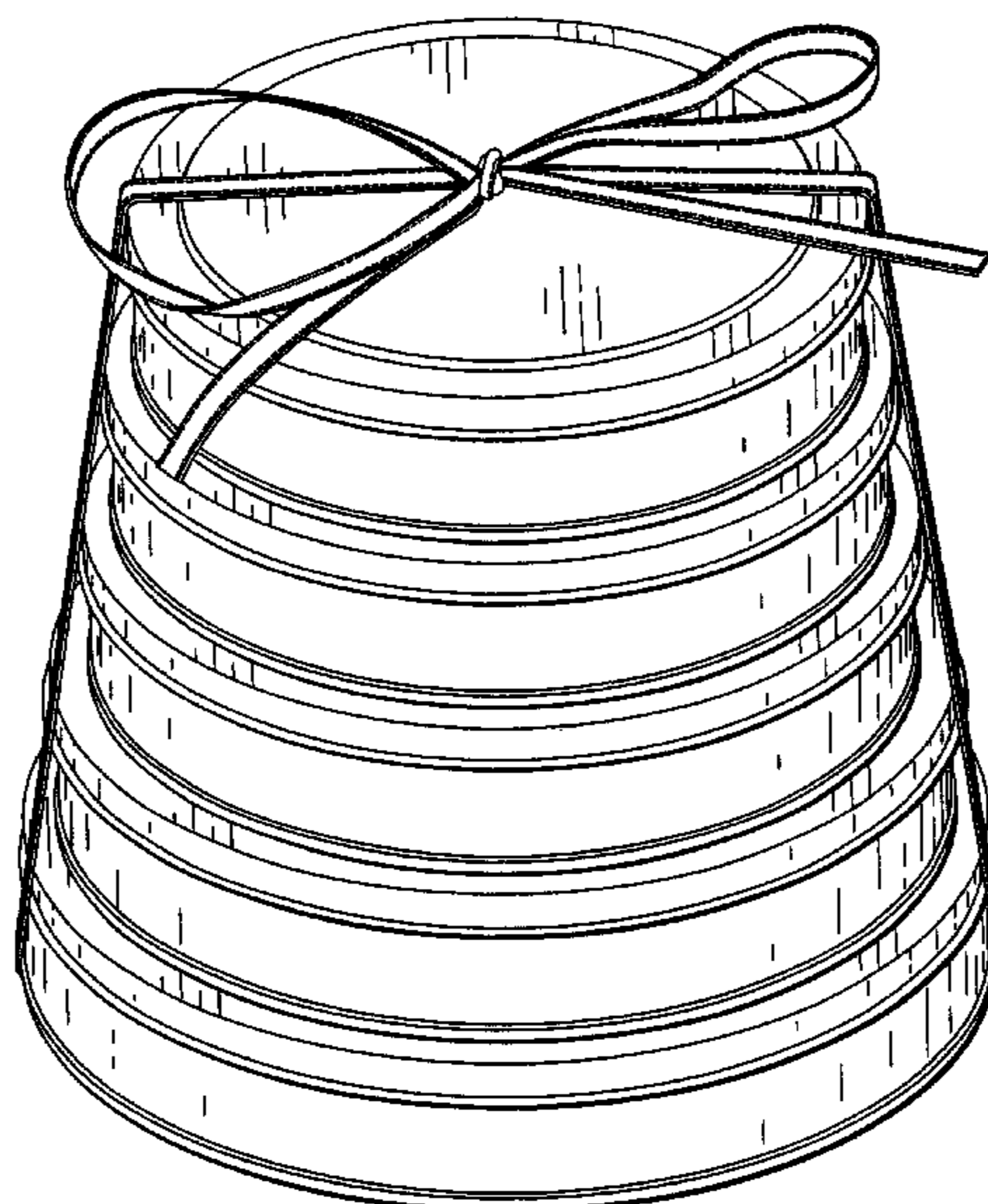
(56) **References Cited**

U.S. PATENT DOCUMENTS

D28,413 S *	3/1898	Taite	D9/504
1,516,775 A *	11/1924	McCarron	206/503
1,621,540 A *	3/1927	Hile	220/23.83
D105,090 S *	6/1937	Connor	D9/503
D193,219 S *	7/1962	Burdick et al.	D9/503
D198,512 S *	6/1964	Burdick et al.	D9/503
3,162,882 A *	12/1964	Womer	220/23.83
4,117,948 A *	10/1978	Collins	220/23.83
4,505,506 A *	3/1985	Picozza	206/503
5,021,351 A *	6/1991	Ervin	206/508
D352,896 S *	11/1994	Jones	D9/428
5,409,128 A *	4/1995	Mitchell	220/23.4
5,413,801 A *	5/1995	McIlwain	220/23.83
5,769,229 A *	6/1998	Andress et al.	206/508
D444,351 S *	7/2001	Lillelund et al.	D7/629
D445,961 S *	7/2001	Motosko	D9/745
D494,474 S *	8/2004	Houk et al.	D9/504

* cited by examiner

1 Claim, 12 Drawing Sheets



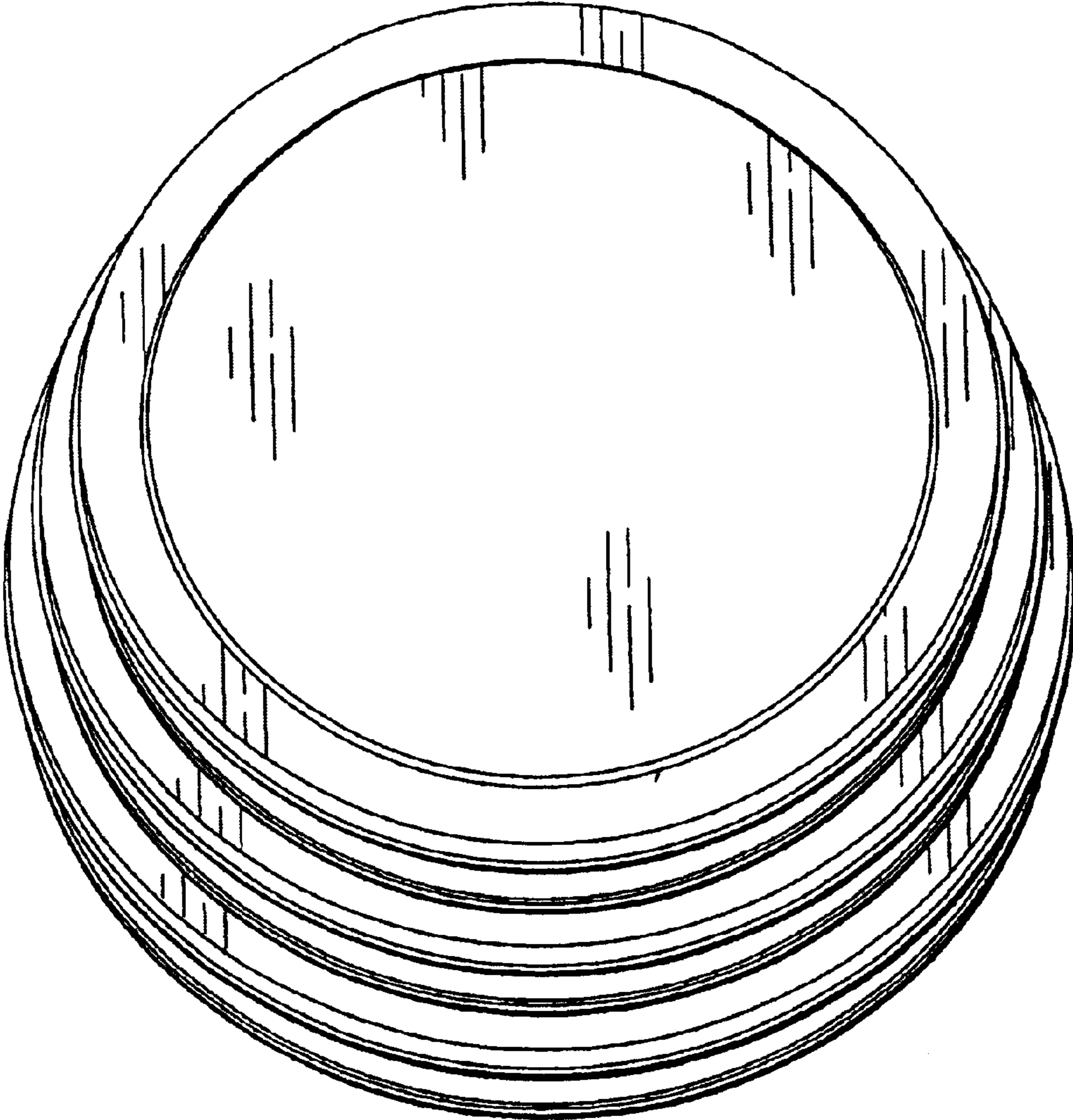


Fig. 1

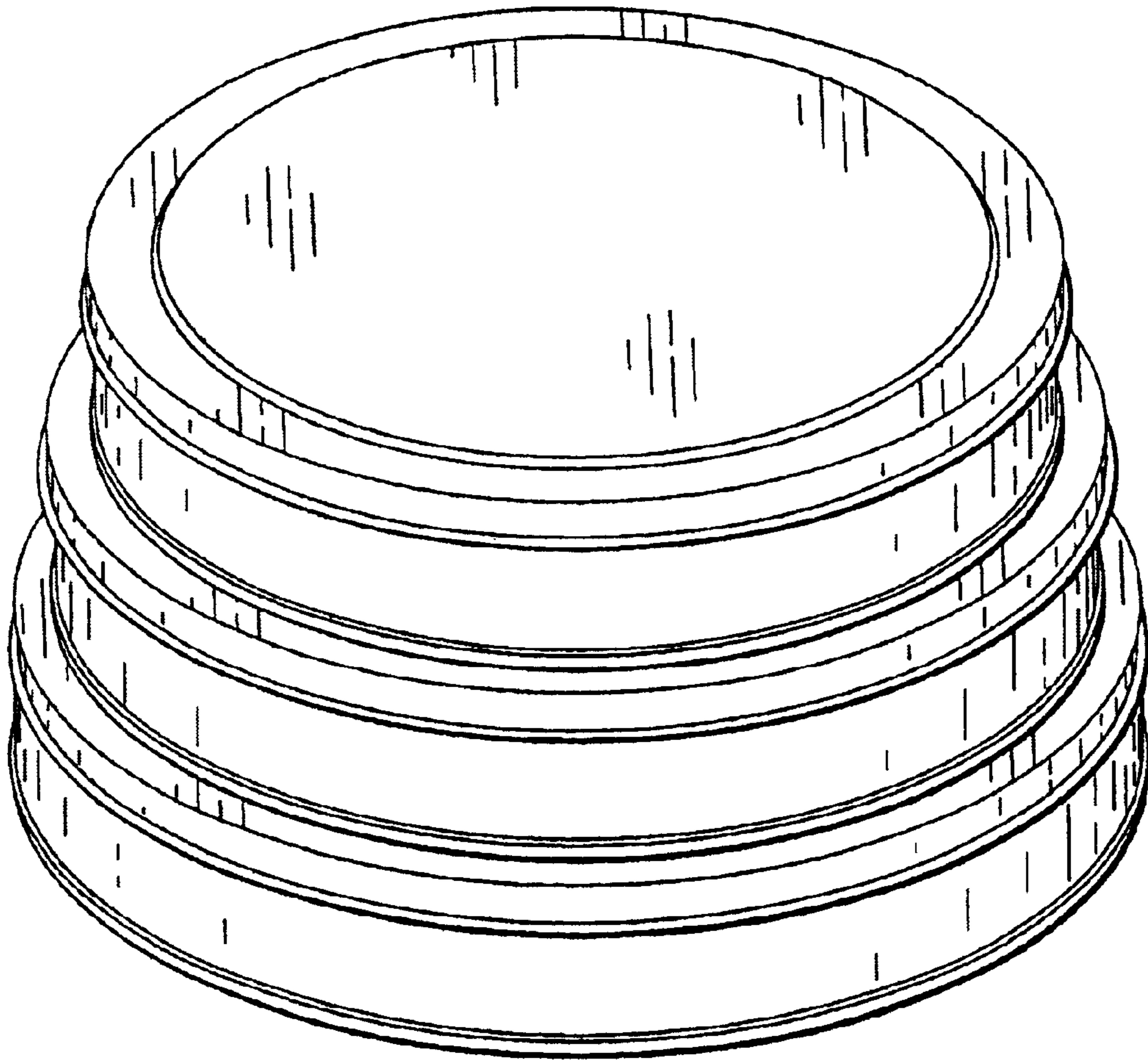


Fig. 2

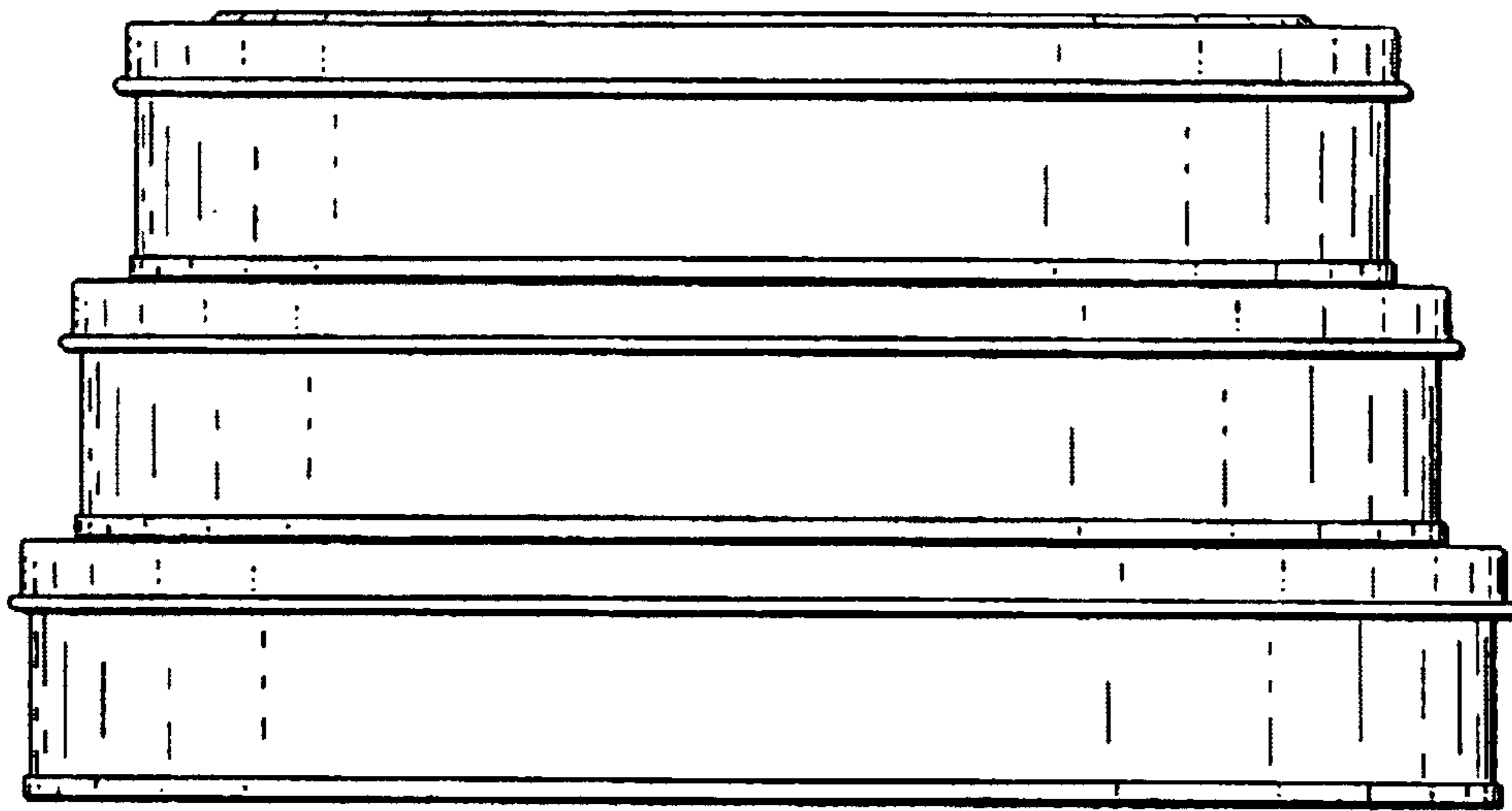


Fig. 3

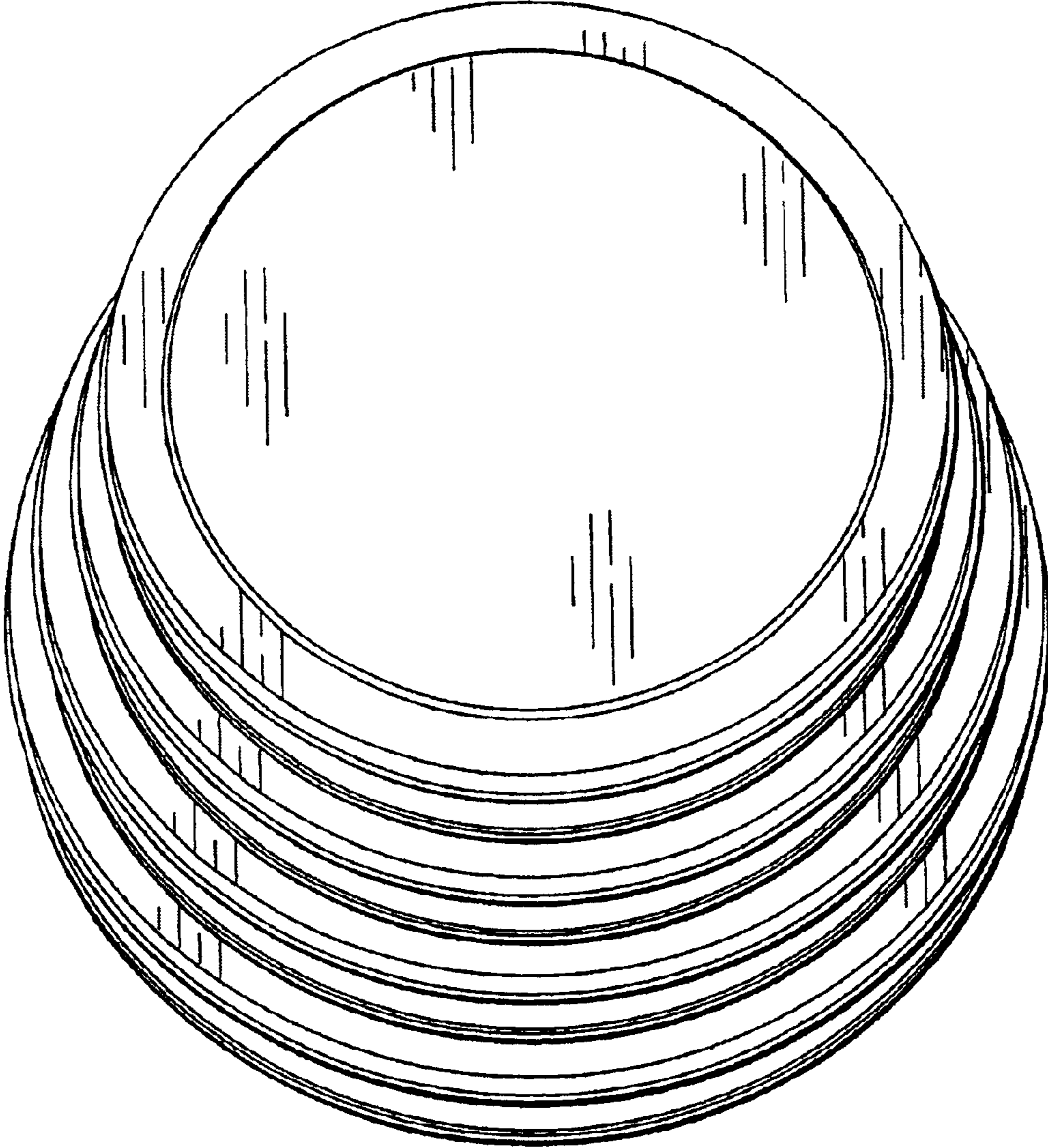


Fig. 4

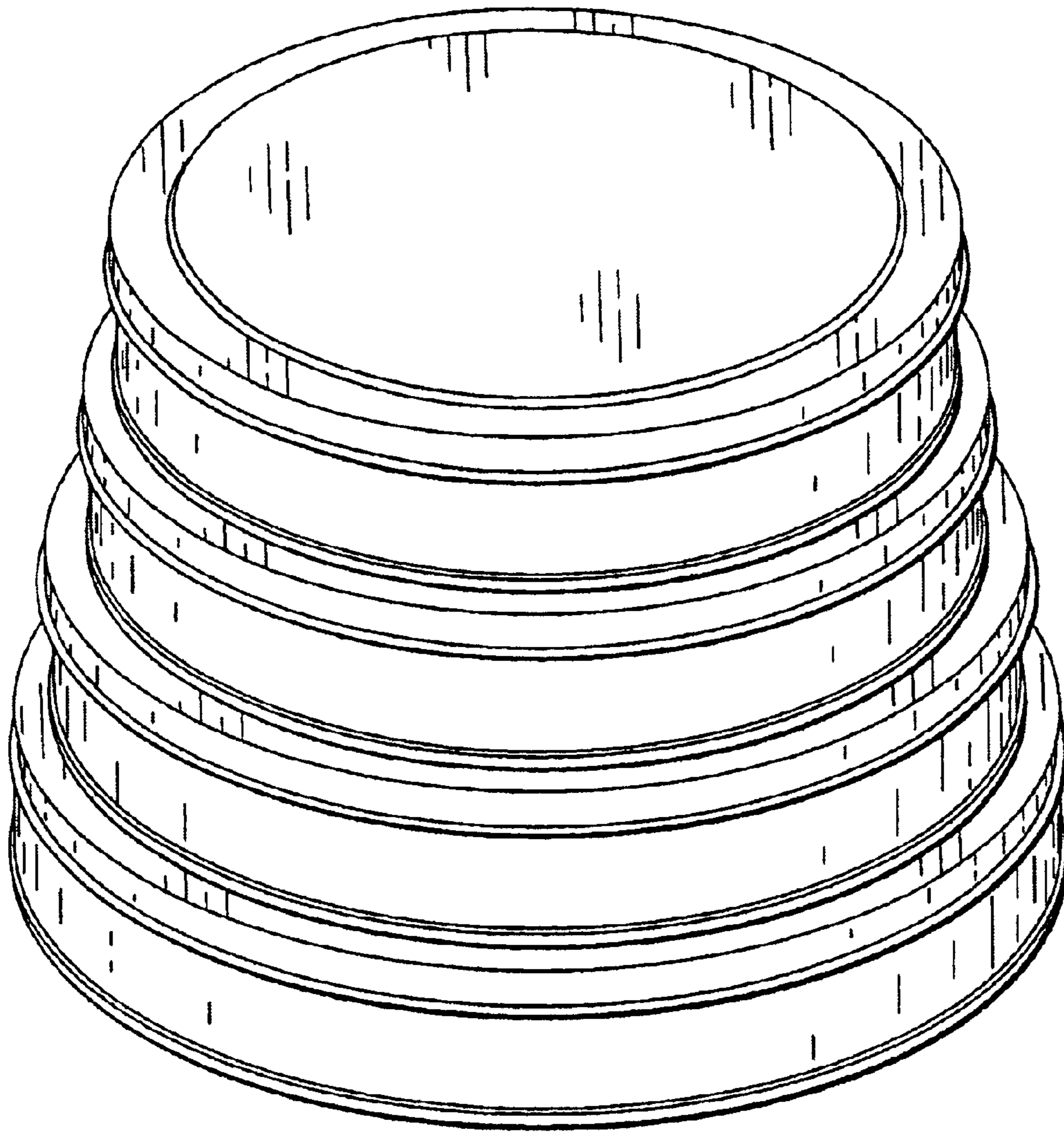


Fig. 5

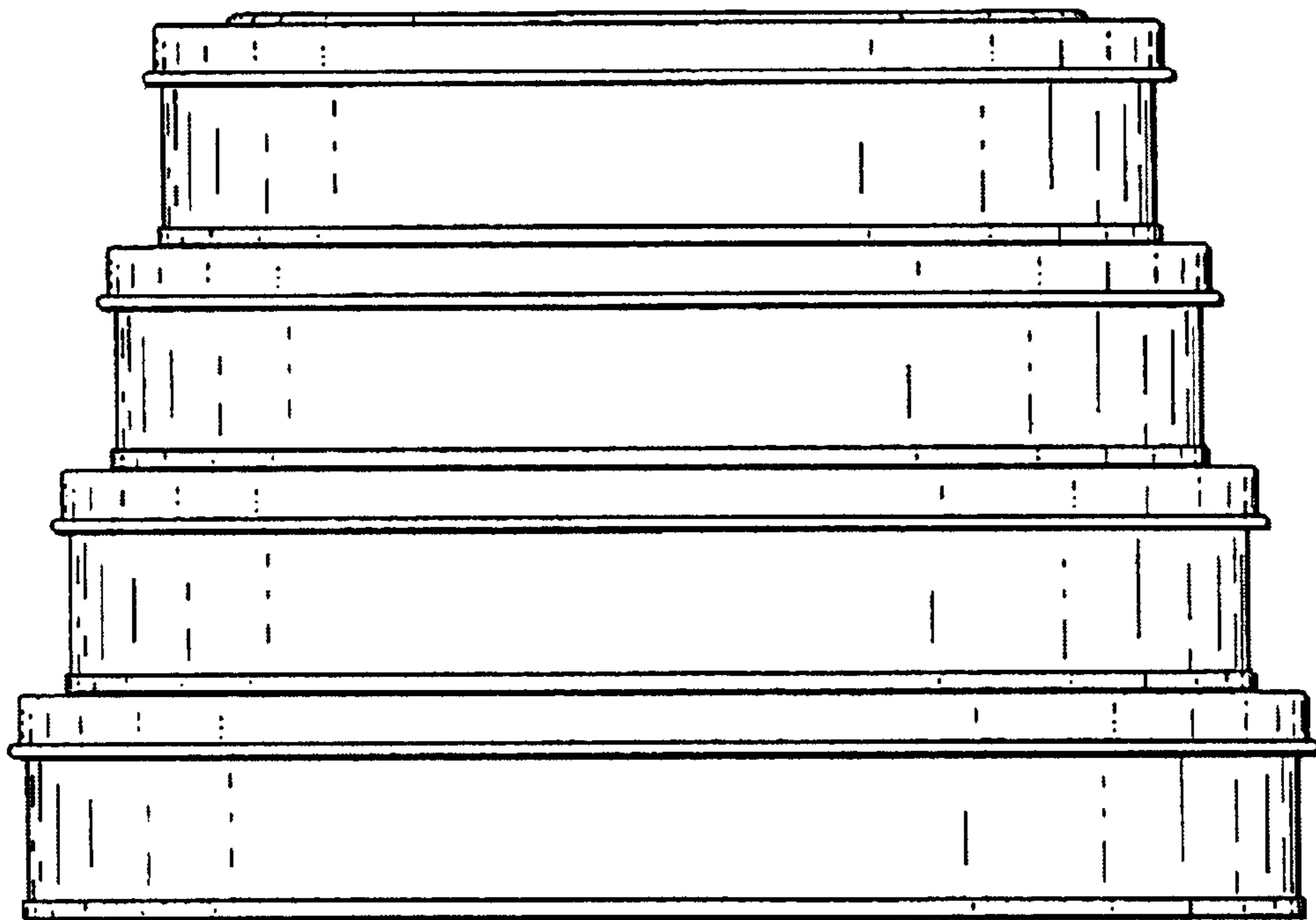


Fig. 6

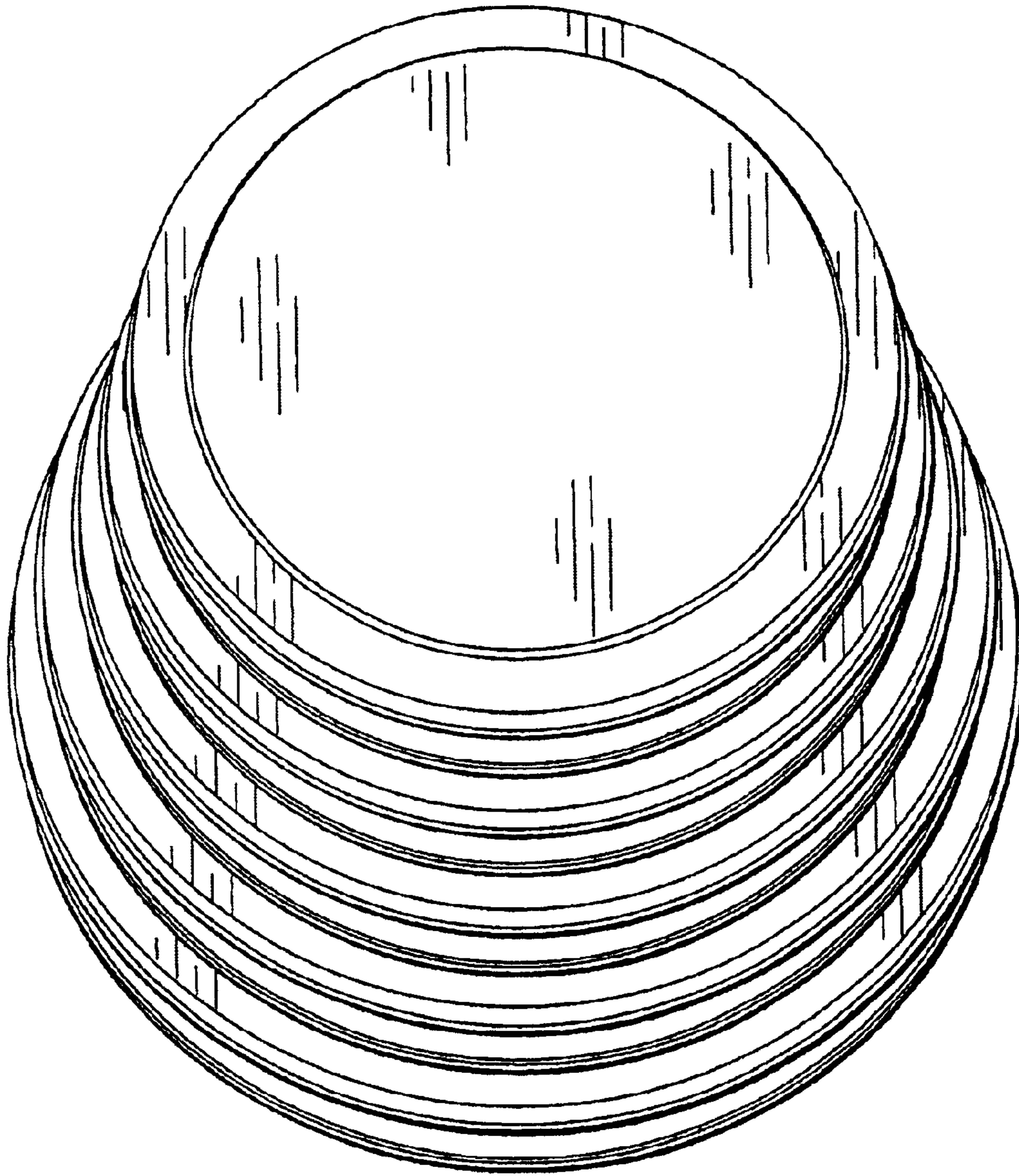


Fig. 7

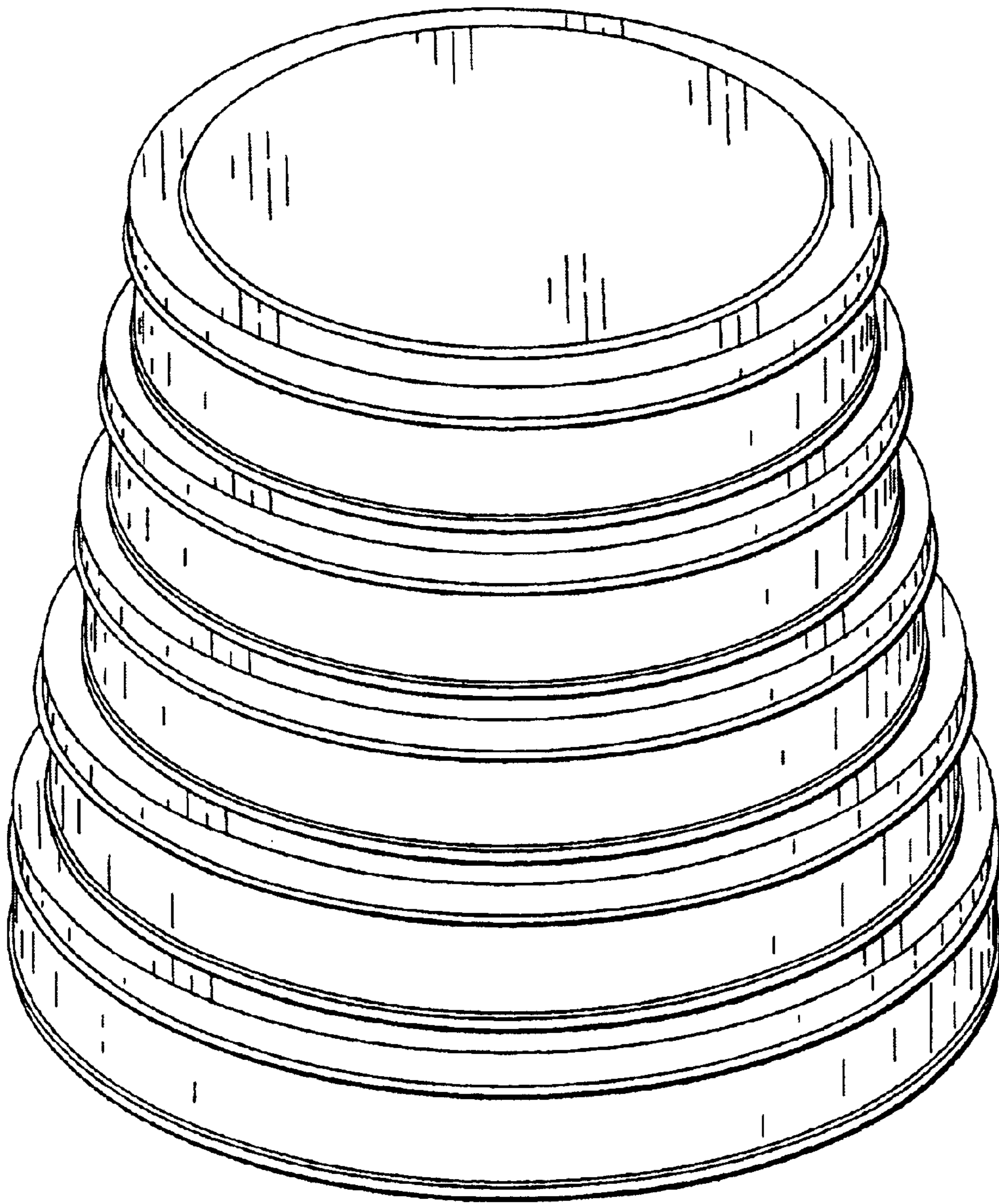


Fig. 8

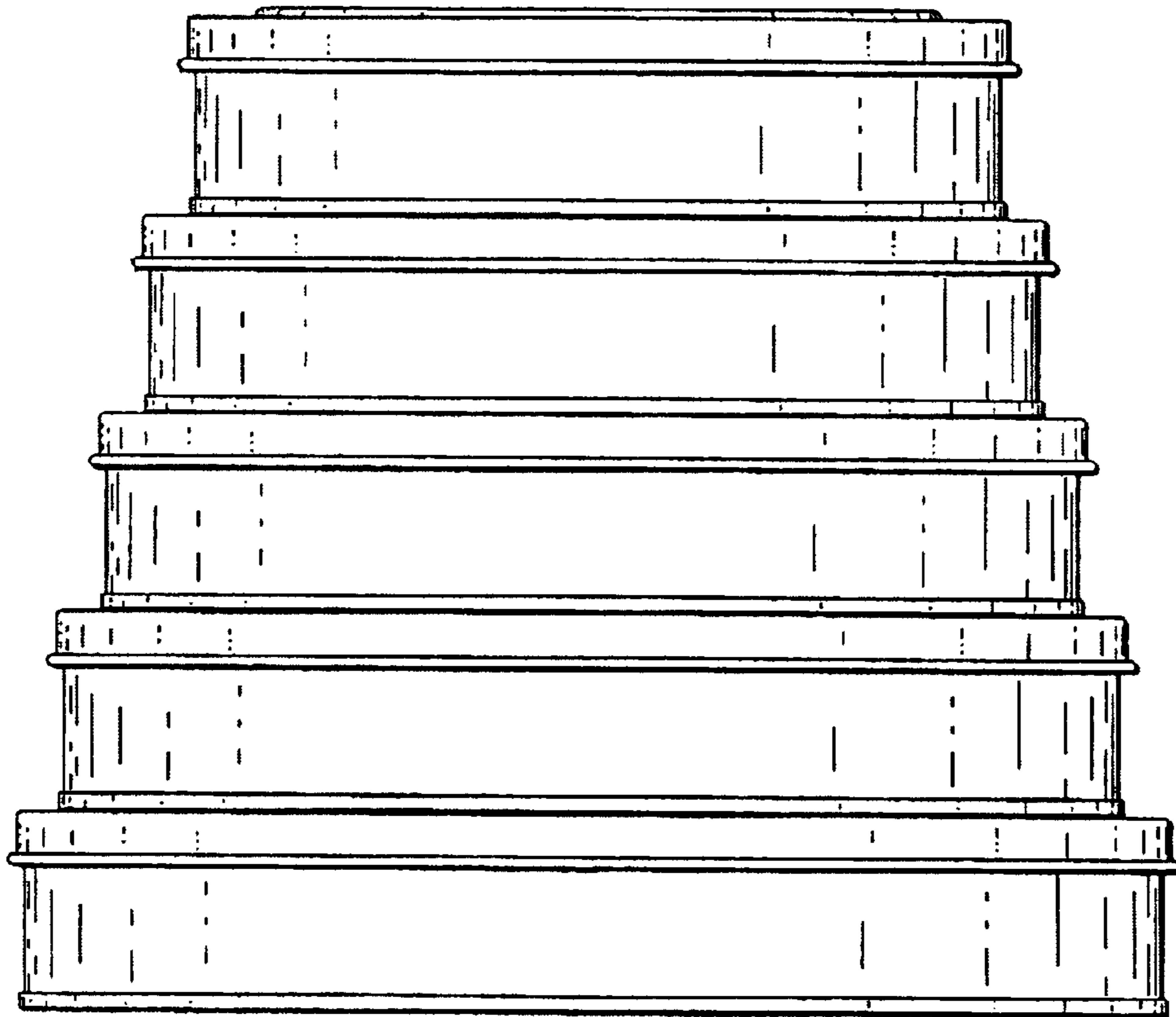


Fig. 9

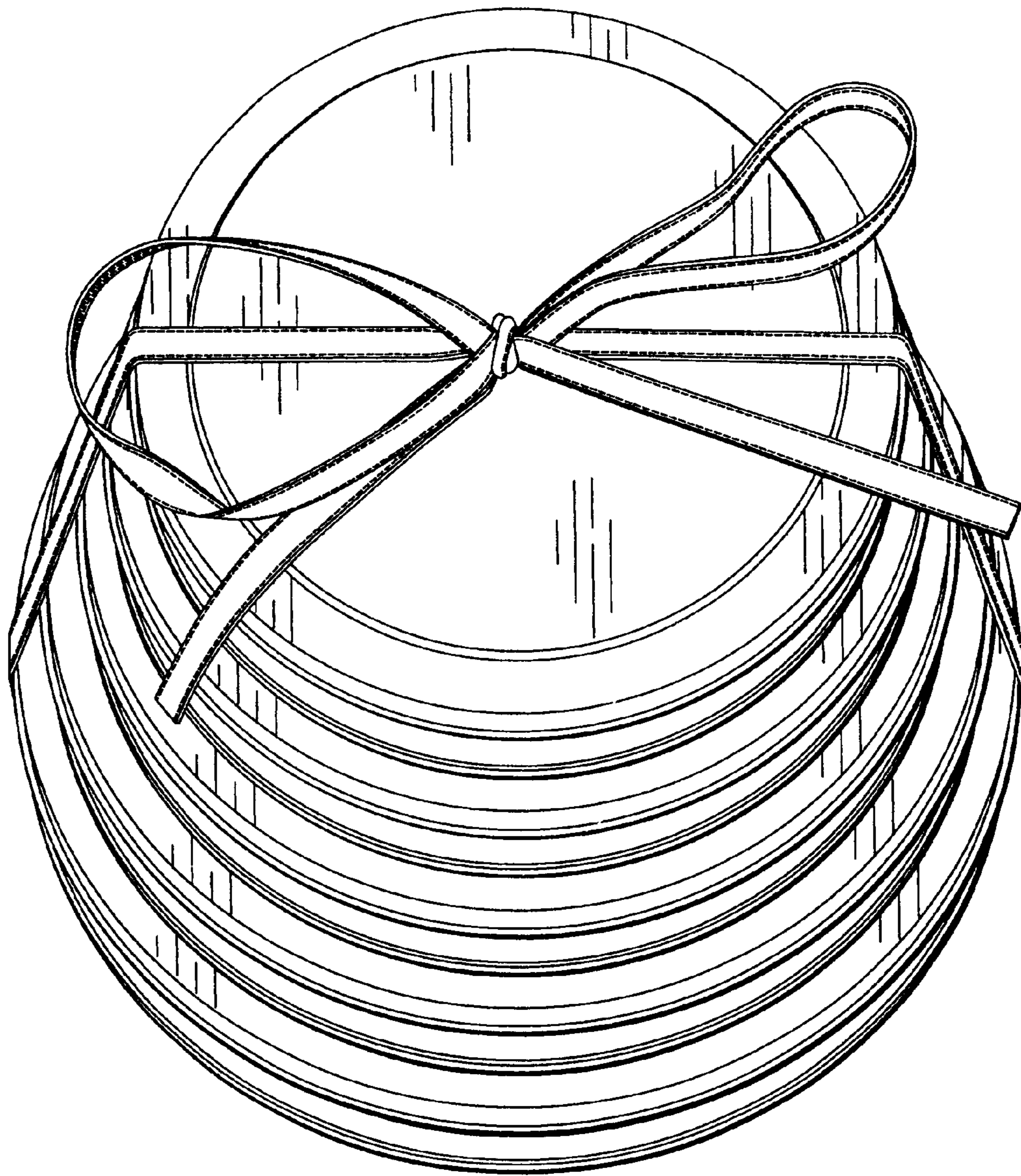


Fig. 10

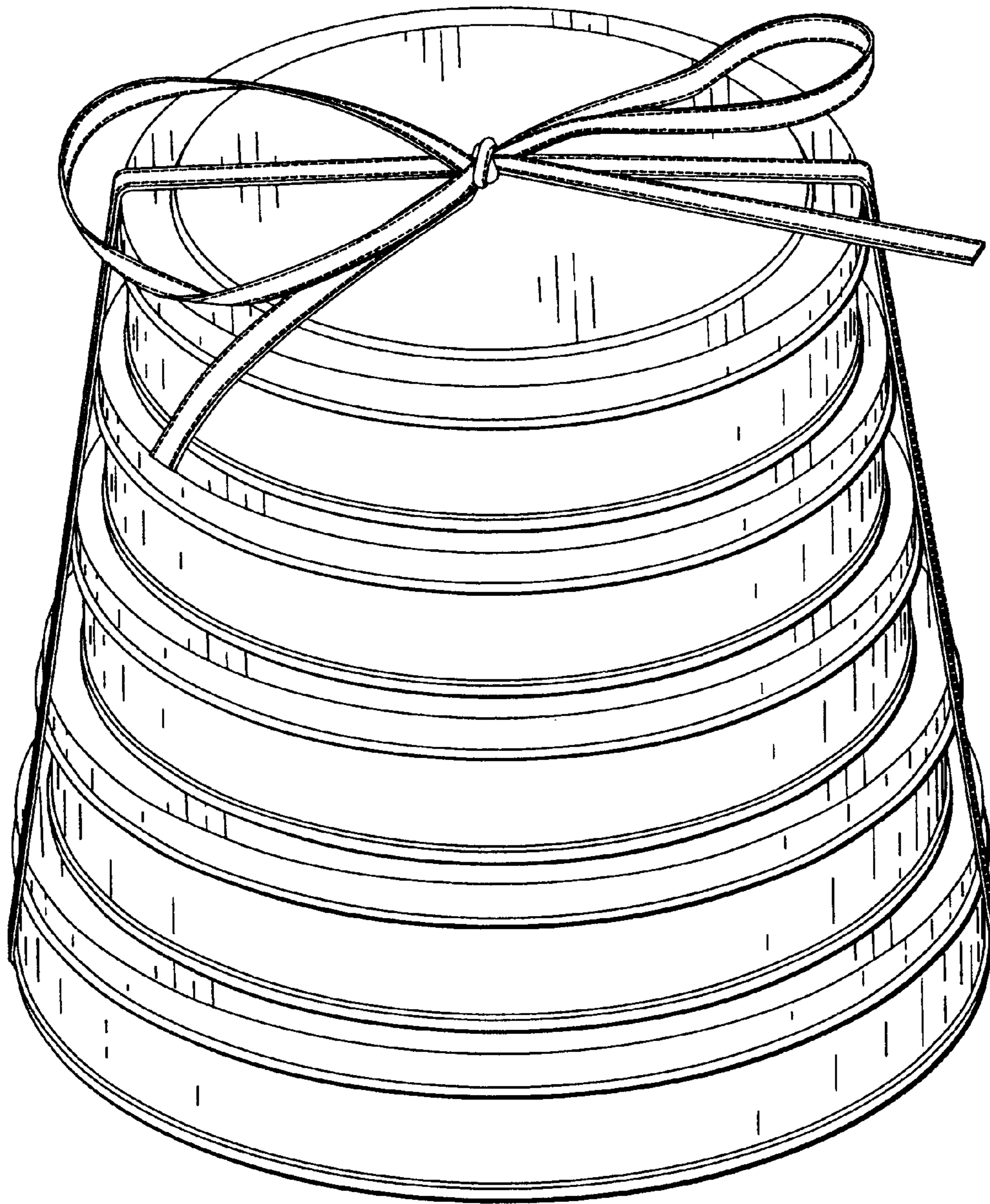


Fig. 11

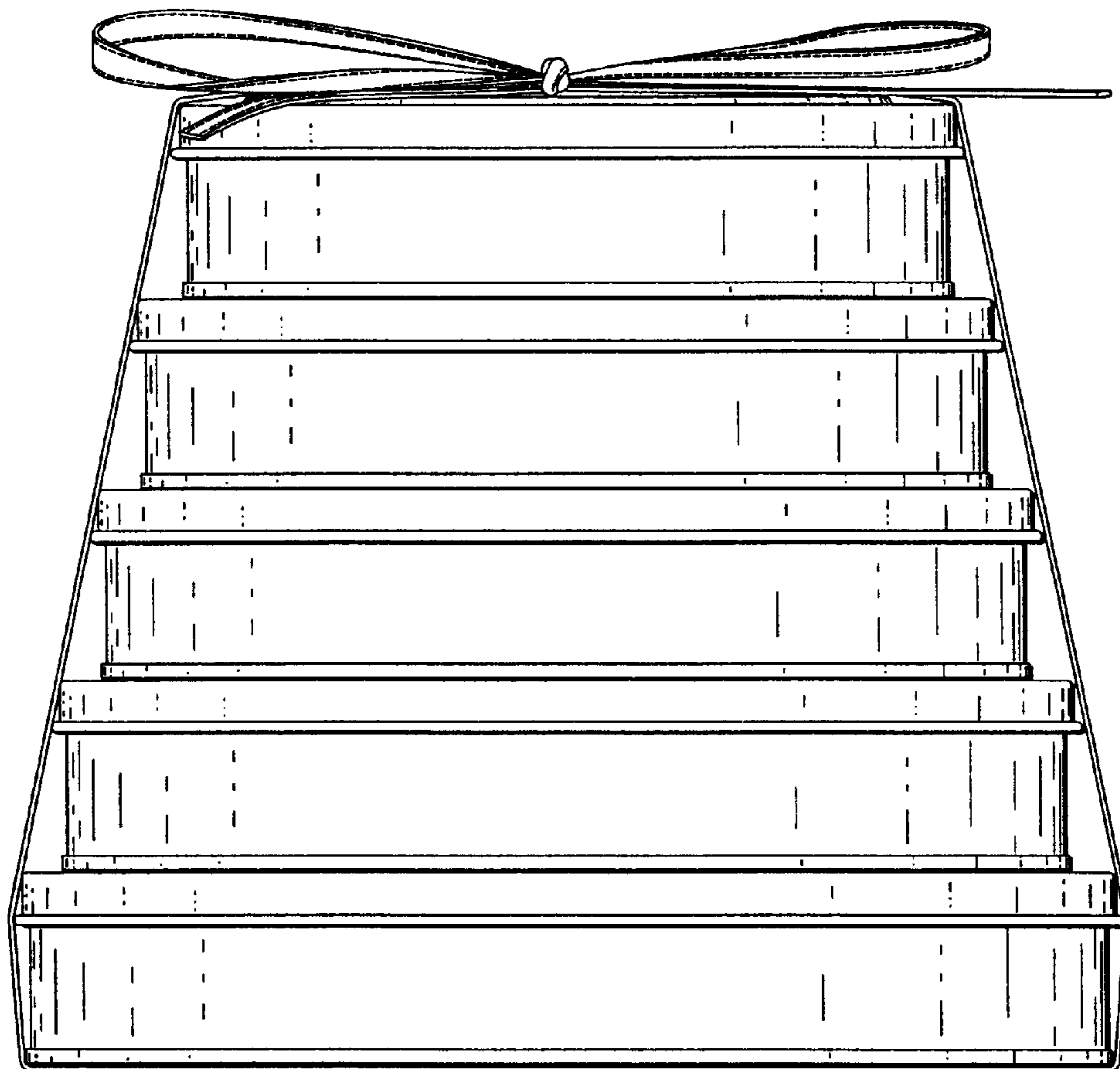


Fig. 12