

US00D514435S

(12) **United States Design Patent**
Bhavnani

(10) **Patent No.:** **US D514,435 S**
(45) **Date of Patent:** **** Feb. 7, 2006**

(54) **MAGNETIC CLIP**

D428,921 S * 8/2000 Saylor et al. D19/65
D500,083 S * 12/2004 Chen et al. D19/65

(75) **Inventor:** **Dilip Bhavnani**, Beverly Hills, CA
(US)

* cited by examiner

(73) **Assignee:** **Sun Coast Merchandise Corp.**,
Commerce, CA (US)

Primary Examiner—Doris Clark
Assistant Examiner—John Windmuller
(74) *Attorney, Agent, or Firm*—Brian M. Carpenter

(**) **Term:** **14 Years**

(57) **CLAIM**

(21) **Appl. No.:** **29/203,212**

The ornamental design for a magnetic clip, as shown.

(22) **Filed:** **Apr. 7, 2004**

DESCRIPTION

(51) **LOC (8) Cl.** **08-08**

(52) **U.S. Cl.** **D8/395**; D19/65

(58) **Field of Classification Search** D8/356,
D8/371, 394–396, 499, 53, 100, 365; D12/51;
D19/65; D28/39, 40, 42; 24/546, 563, 327,
24/334, DIG. 8, DIG. 9, DIG. 13, DIG. 28;
248/74.2, 300, 301, 316.7, 229.26

FIG. 1 is a top front perspective view of a magnetic clip showing my new design;

FIG. 2 is a front elevational view thereof;

FIG. 3 is a left side elevational view thereof;

FIG. 4 is a right side elevational view thereof;

FIG. 5 is a top plan view thereof;

FIG. 6 is a bottom plan view thereof; and,

FIG. 7 is a rear elevational view thereof.

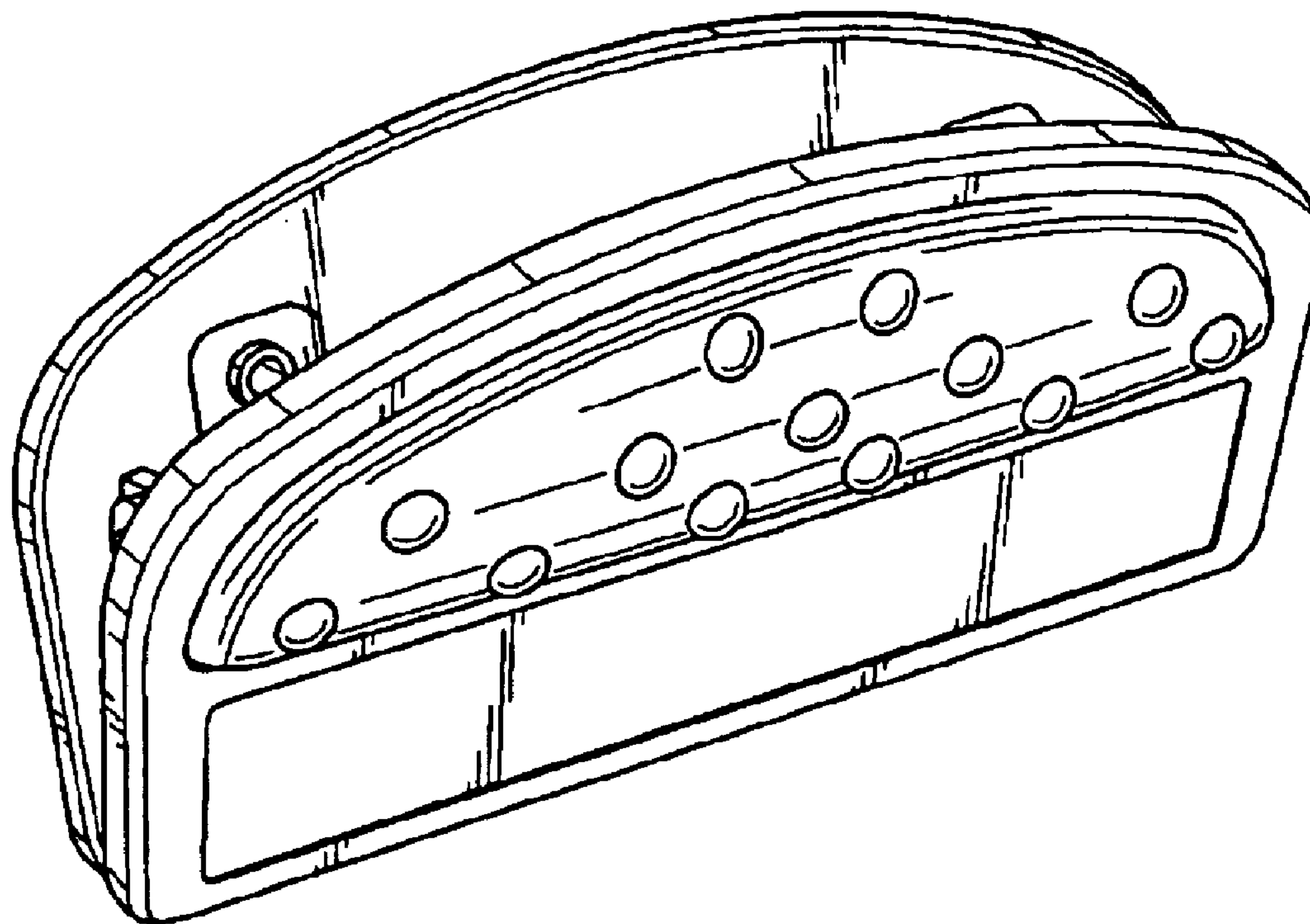
See application file for complete search history.

(56) **References Cited**

U.S. PATENT DOCUMENTS

D412,343 S * 7/1999 Offenbauer D19/65

1 Claim, 2 Drawing Sheets



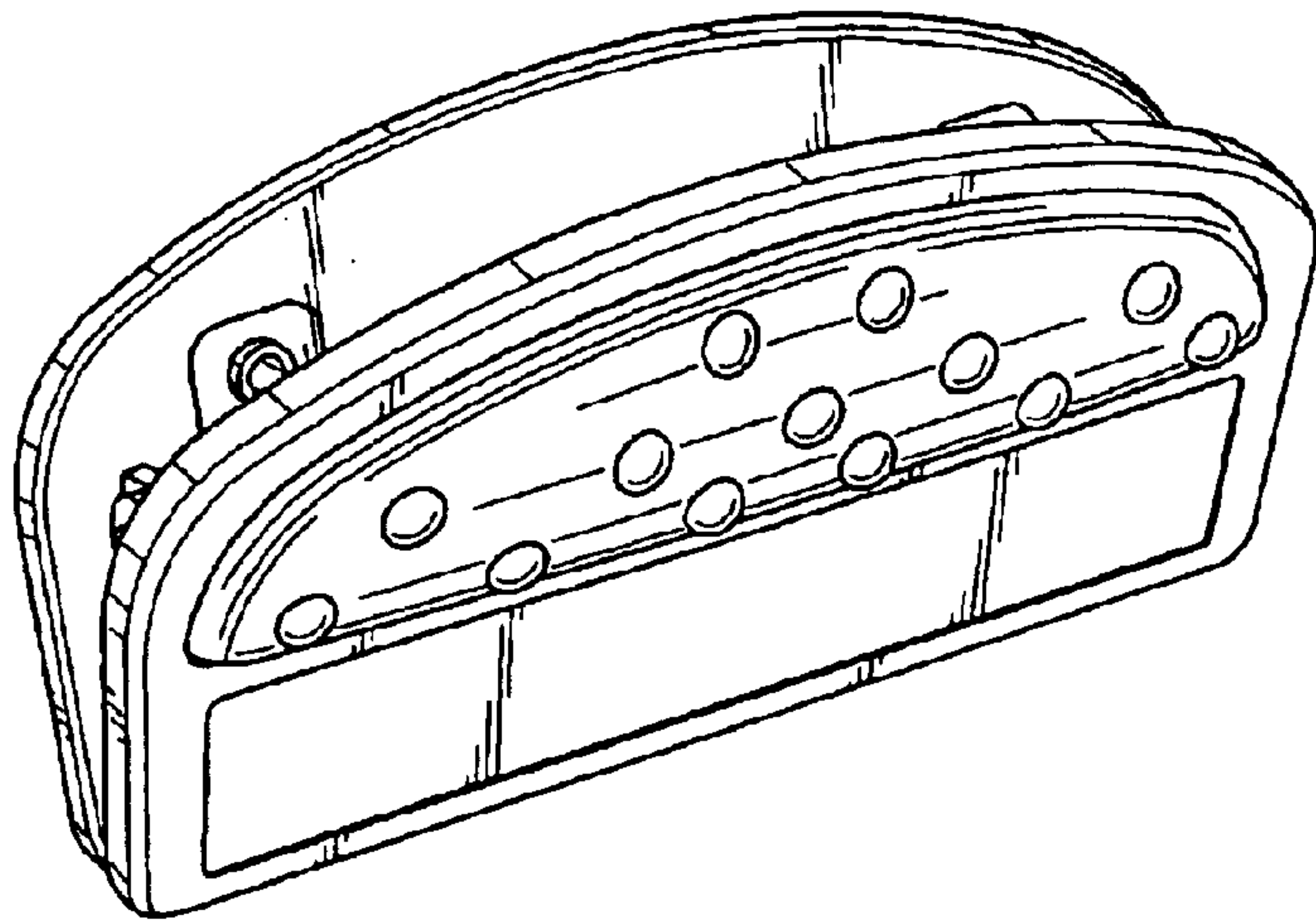


FIG. 1

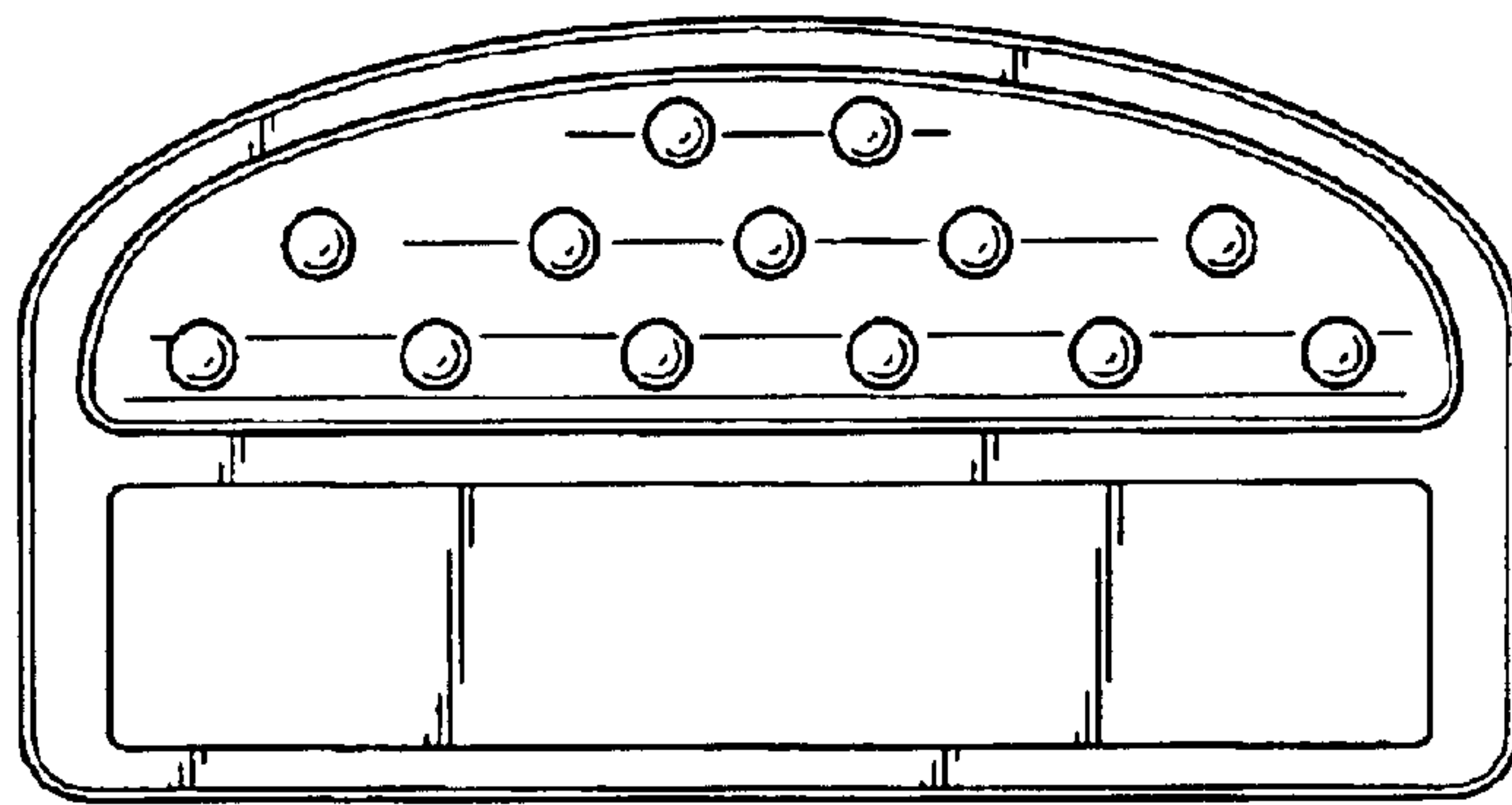


FIG. 2

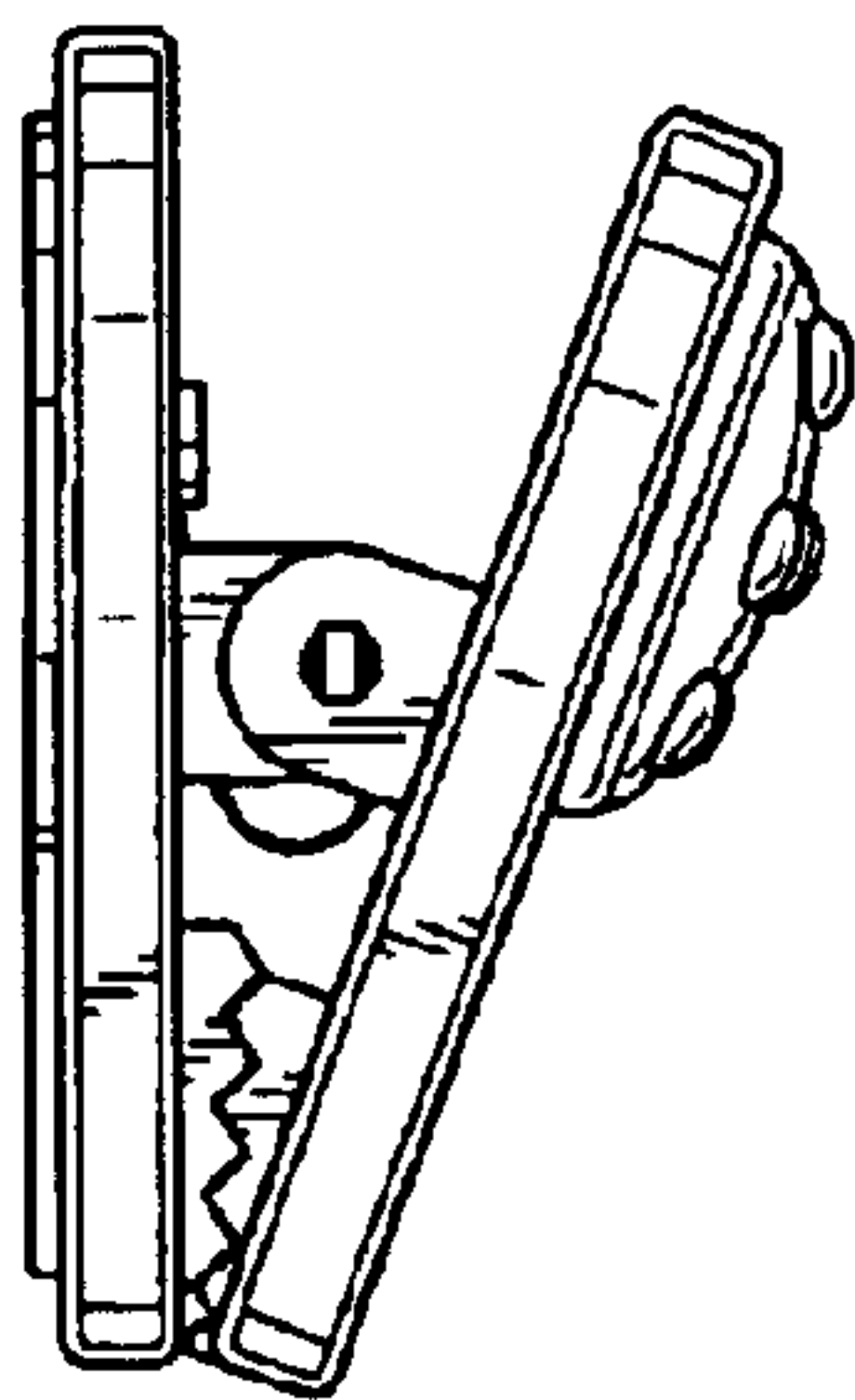


FIG. 3

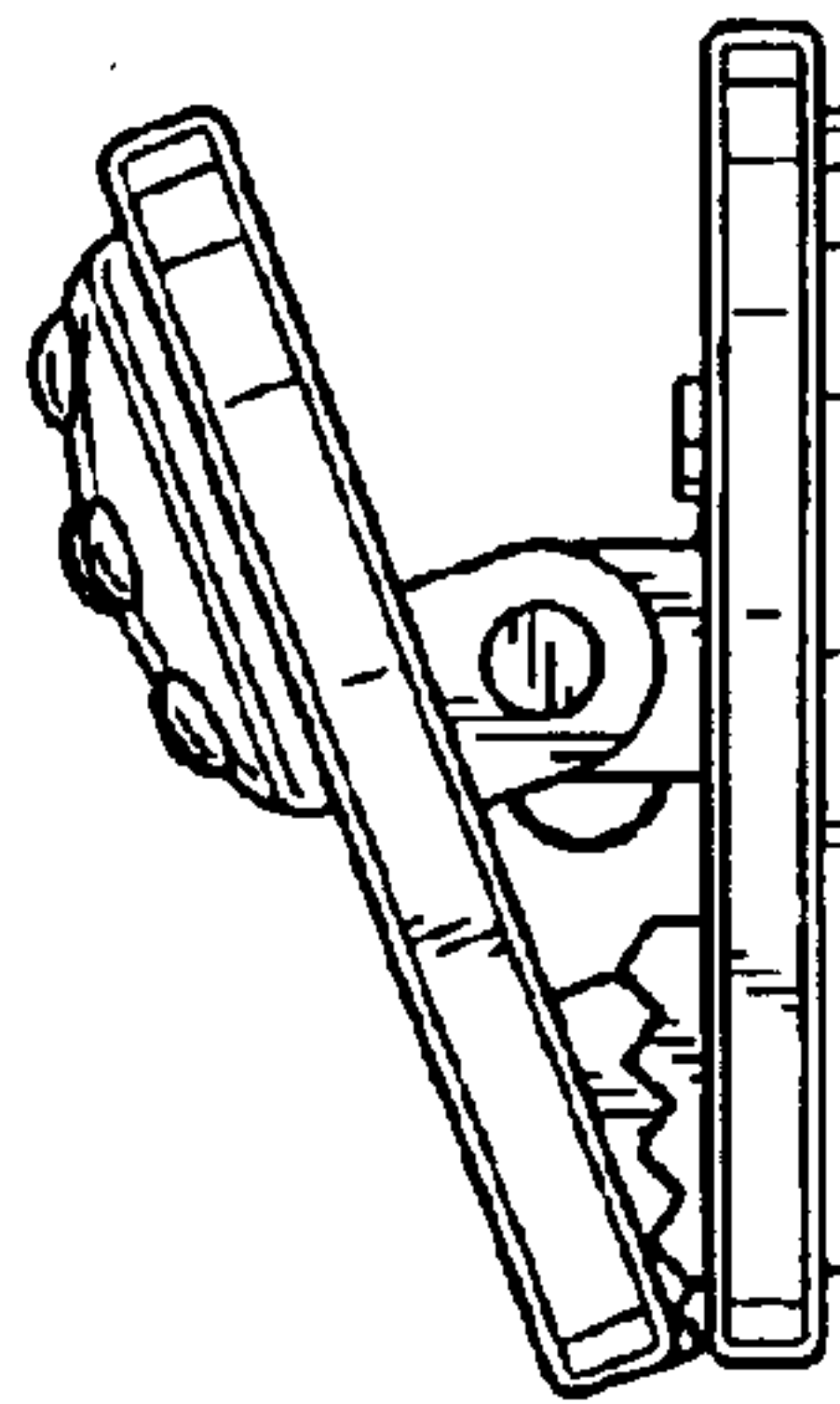


FIG. 4

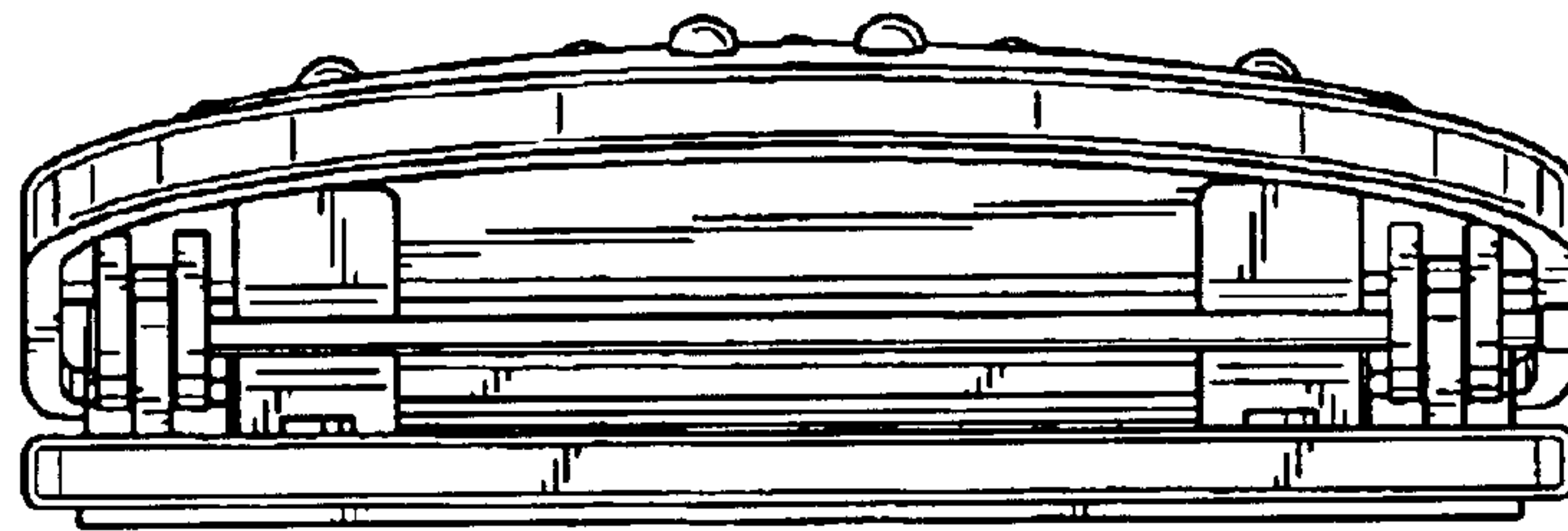


FIG. 5

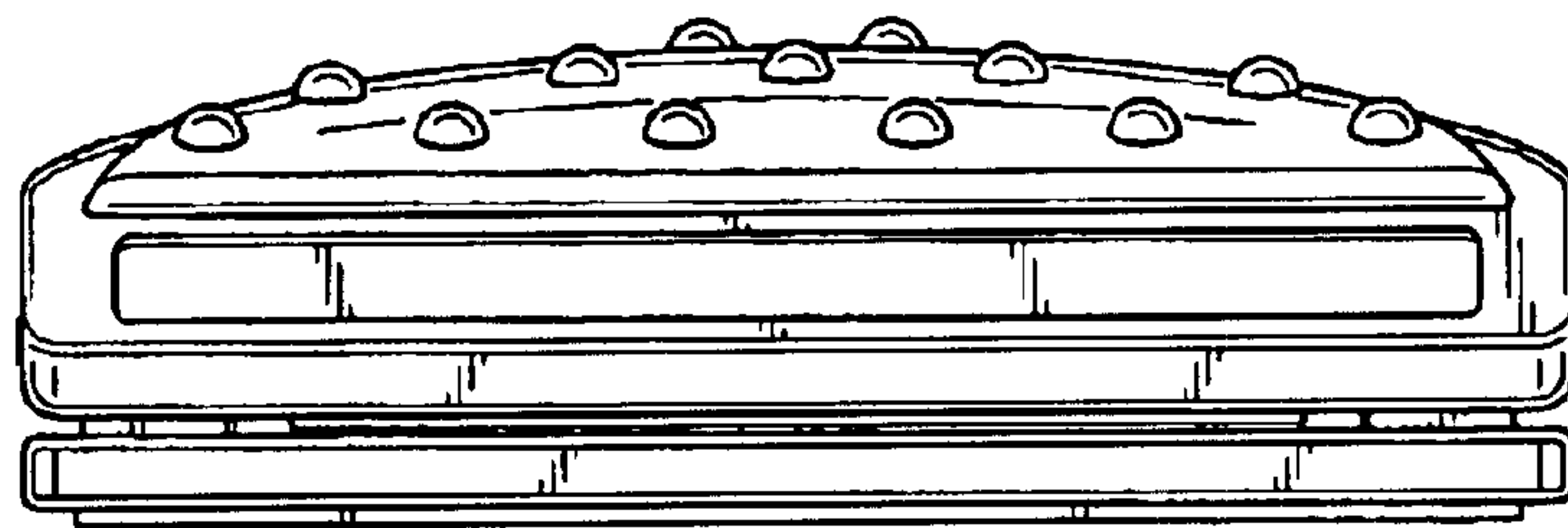


FIG. 6

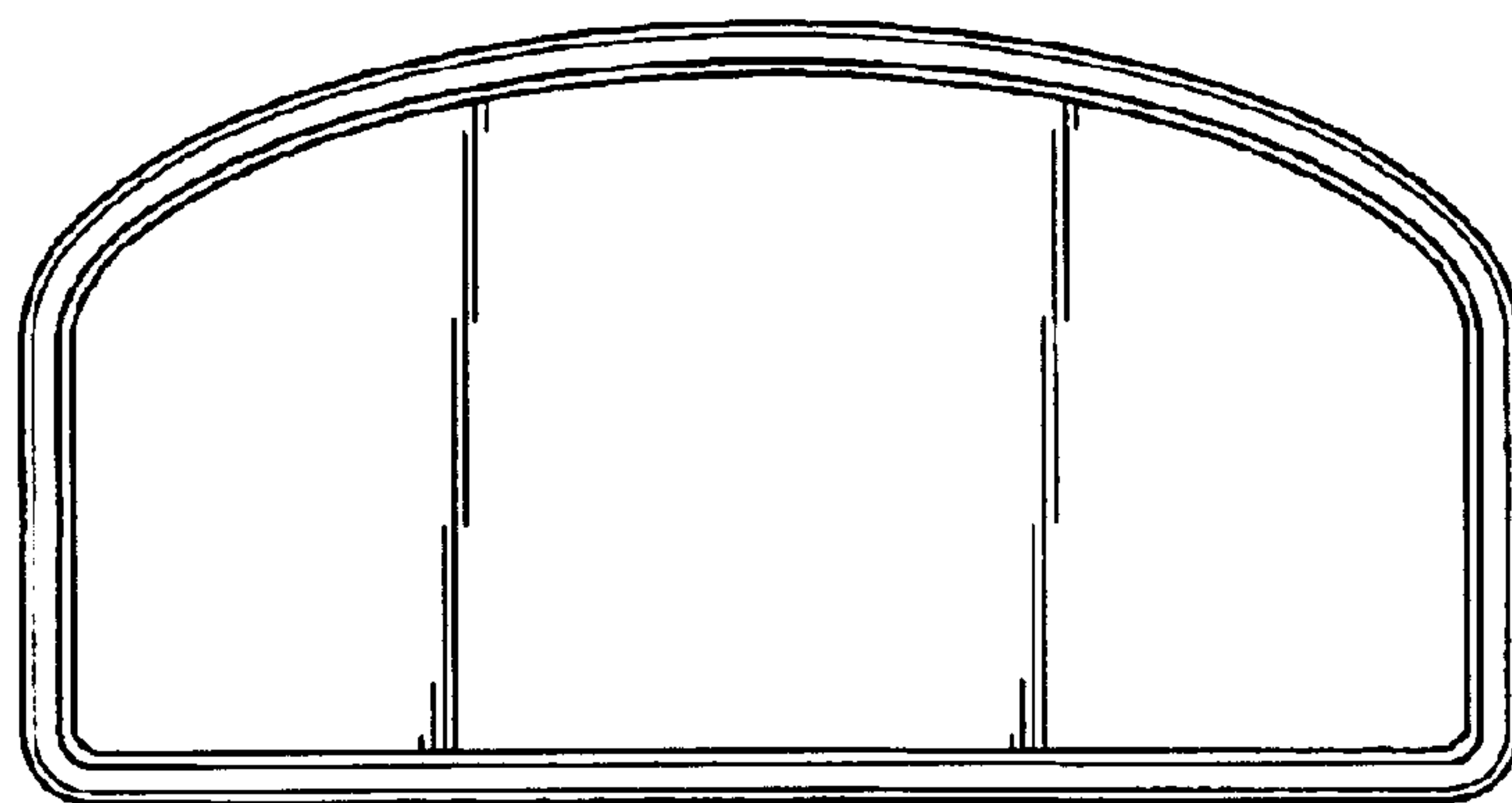


FIG. 7