

US00D514434S

(12) **United States Design Patent**
Mariano et al.

(10) **Patent No.:** **US D514,434 S**

(45) **Date of Patent:** **** Feb. 7, 2006**

(54) **CLIP**

(75) Inventors: **Dino Mariano**, Pittsburgh, PA (US);
Gregoire Aby-Eva, Pittsburgh, PA
(US); **Lisa Yanz**, Rochester, NY (US)

(73) Assignee: **Helen of Troy Limited**, Bridgetown
(BB)

(**) Term: **14 Years**

(21) Appl. No.: **29/201,613**

(22) Filed: **Mar. 18, 2004**

(51) **LOC (8) Cl.** **08-08**

(52) **U.S. Cl.** **D8/395**

(58) **Field of Classification Search** D8/356,
D8/371, 394-396, 499, 53, 100, 365; D12/51;
D19/65; D28/39, 40, 42; 24/546, 563, 327,
24/334, DIG. 8, DIG. 9, DIG. 13, DIG. 28;
248/74.2, 300, 301, 316.7, 229.26

See application file for complete search history.

(56) **References Cited**

U.S. PATENT DOCUMENTS

D50,062 S * 12/1916 Fuller D19/65

D302,568 S * 8/1989 Berger D19/65
D335,078 S * 4/1993 Hampshire D8/395
D365,018 S * 12/1995 Ellis et al. D8/395
D438,452 S * 3/2001 Tsai D8/395
D478,628 S * 8/2003 Sheldon et al. D19/65

* cited by examiner

Primary Examiner—Doris Clark

Assistant Examiner—John Windmuller

(74) *Attorney, Agent, or Firm*—Seyfarth Shaw LLP

(57) **CLAIM**

The ornamental design for the clip, as shown and described.

DESCRIPTION

FIG. 1 is a top perspective view of a clip showing our new design;

FIG. 2 is a top plan view thereof;

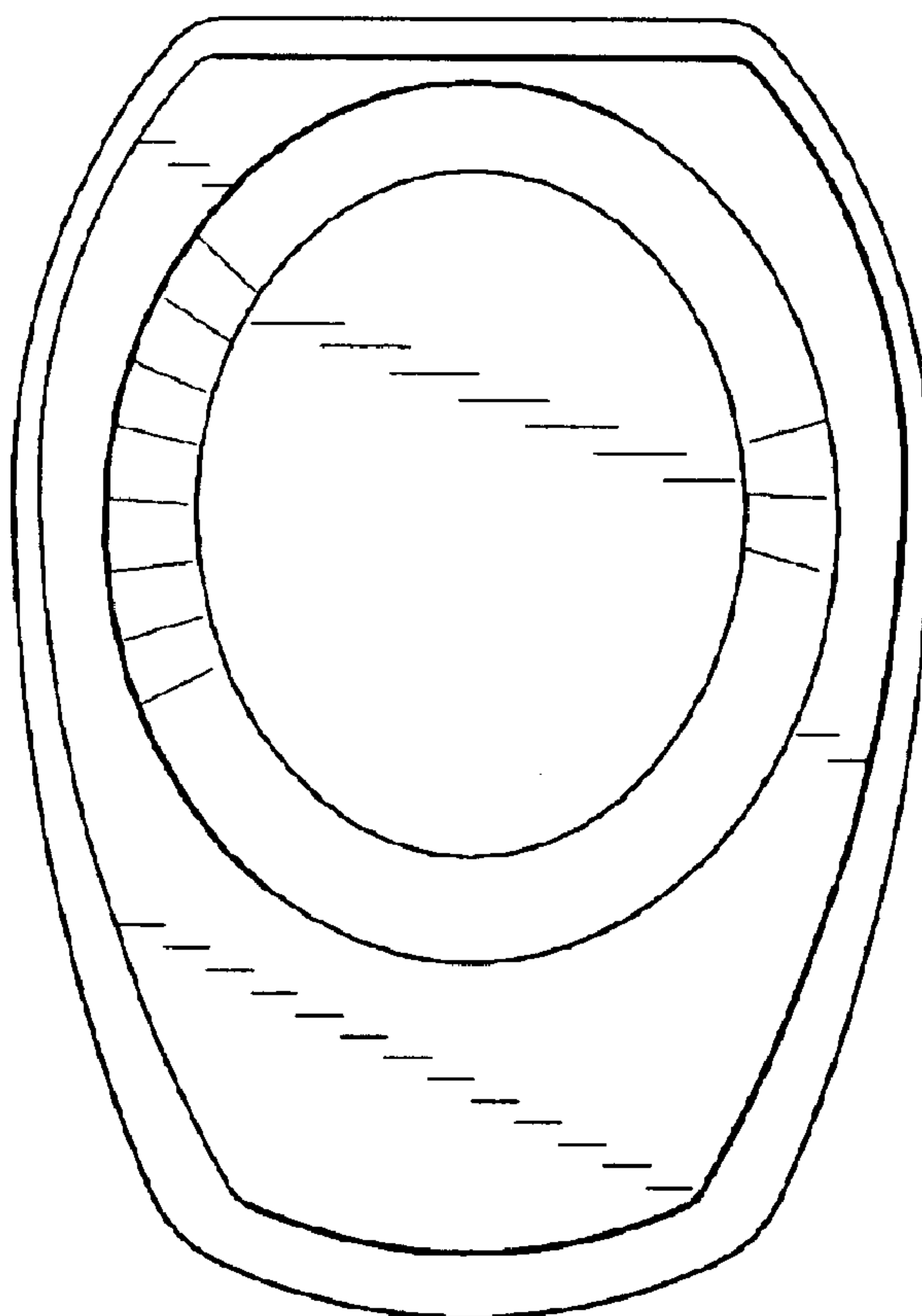
FIG. 3 is a bottom plan view thereof;

FIG. 4 is a front elevational view thereof;

FIG. 5 is a rear elevational view thereof; and,

FIG. 6 is a left side elevational view thereof, the right side elevational view being a mirror image.

1 Claim, 2 Drawing Sheets



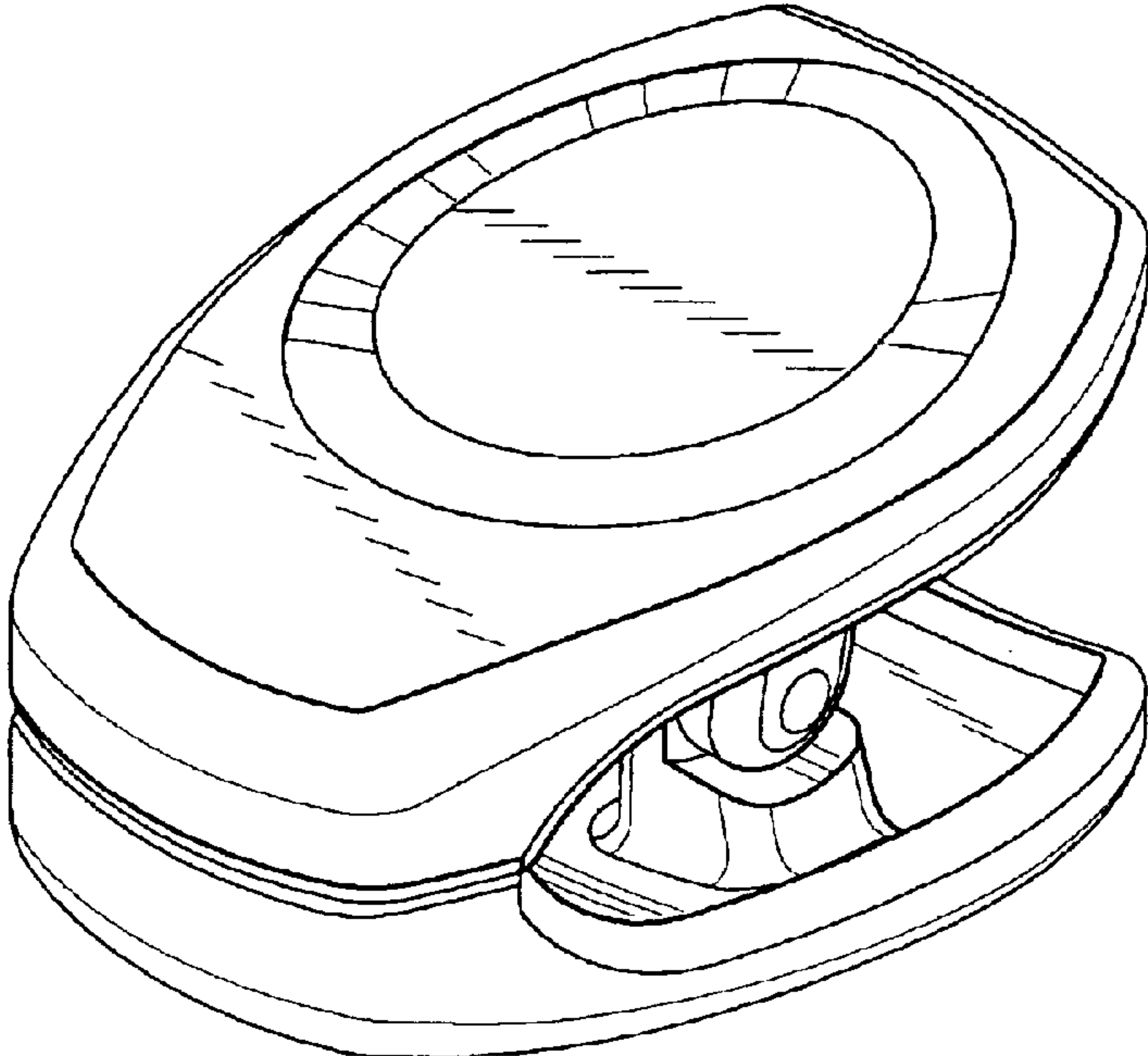


FIG. 1

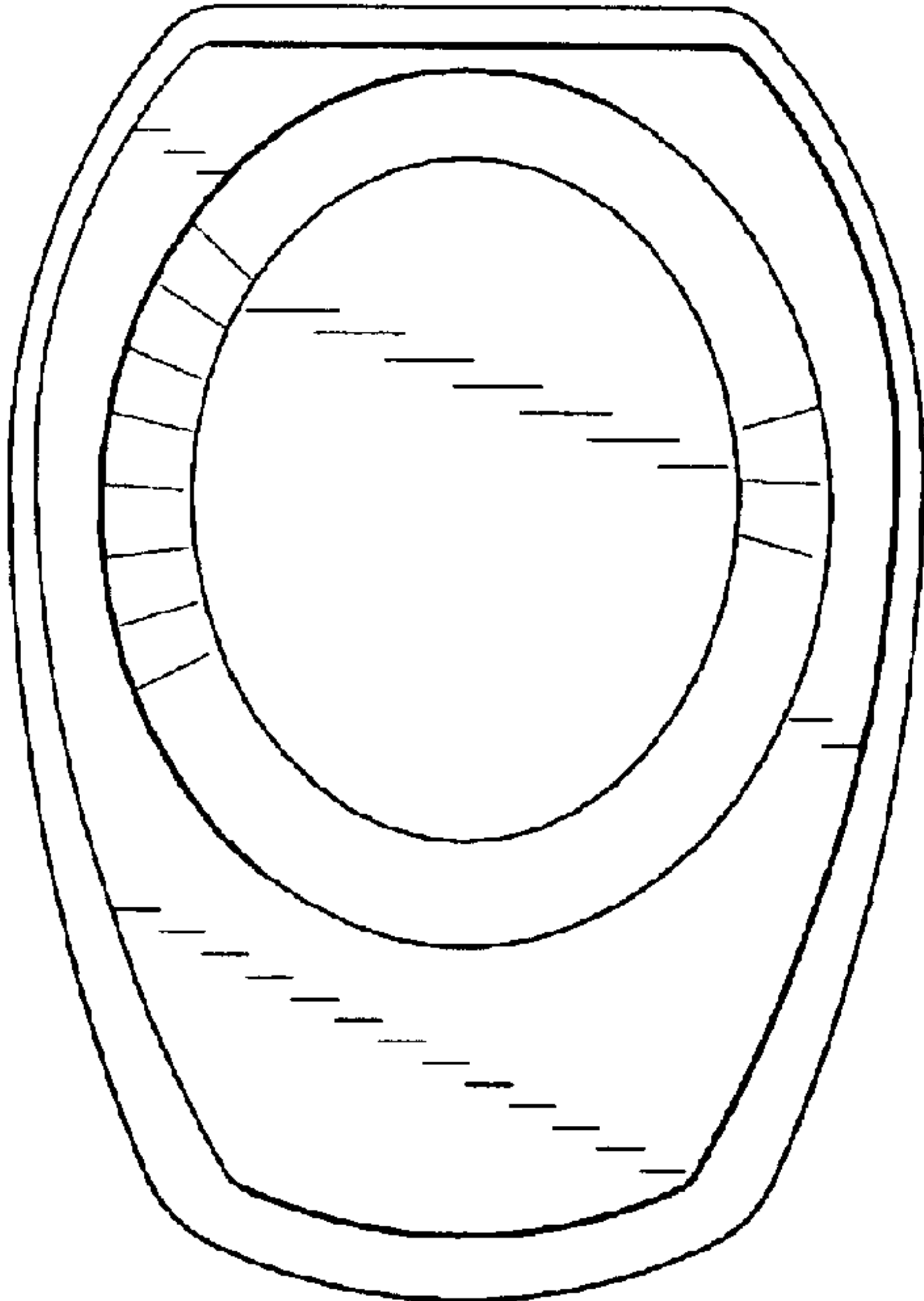


FIG. 2

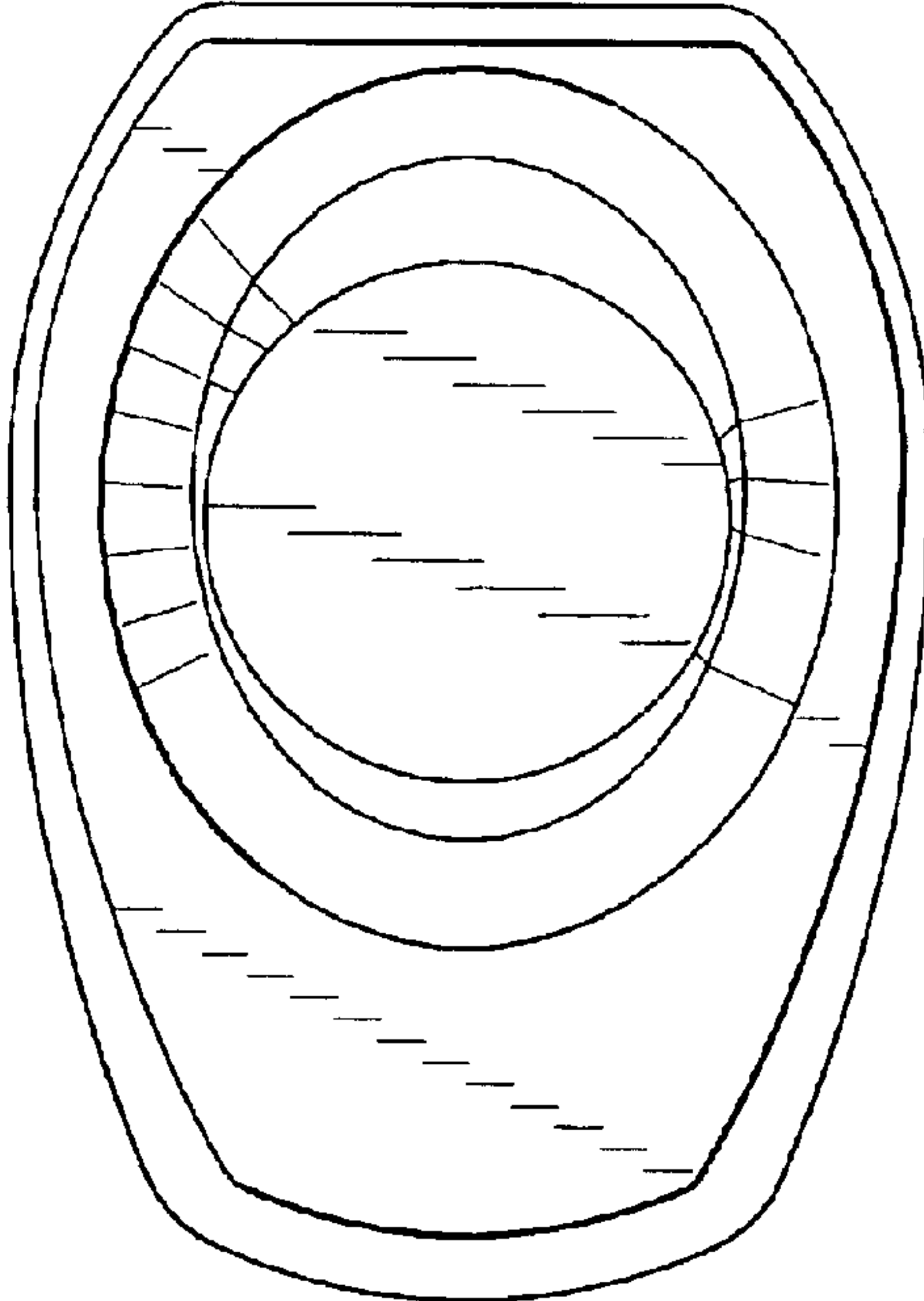


FIG. 3

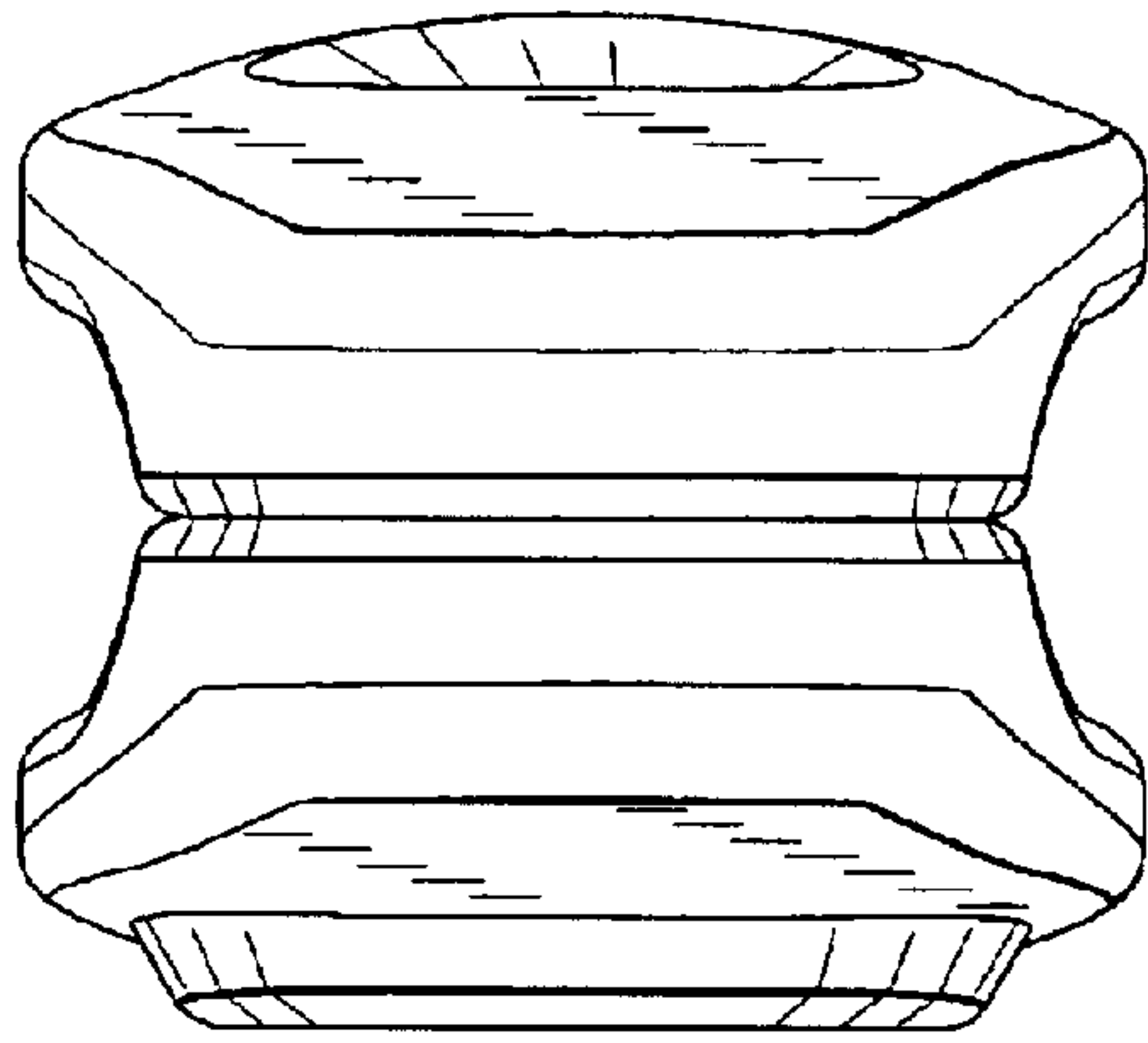


FIG. 4

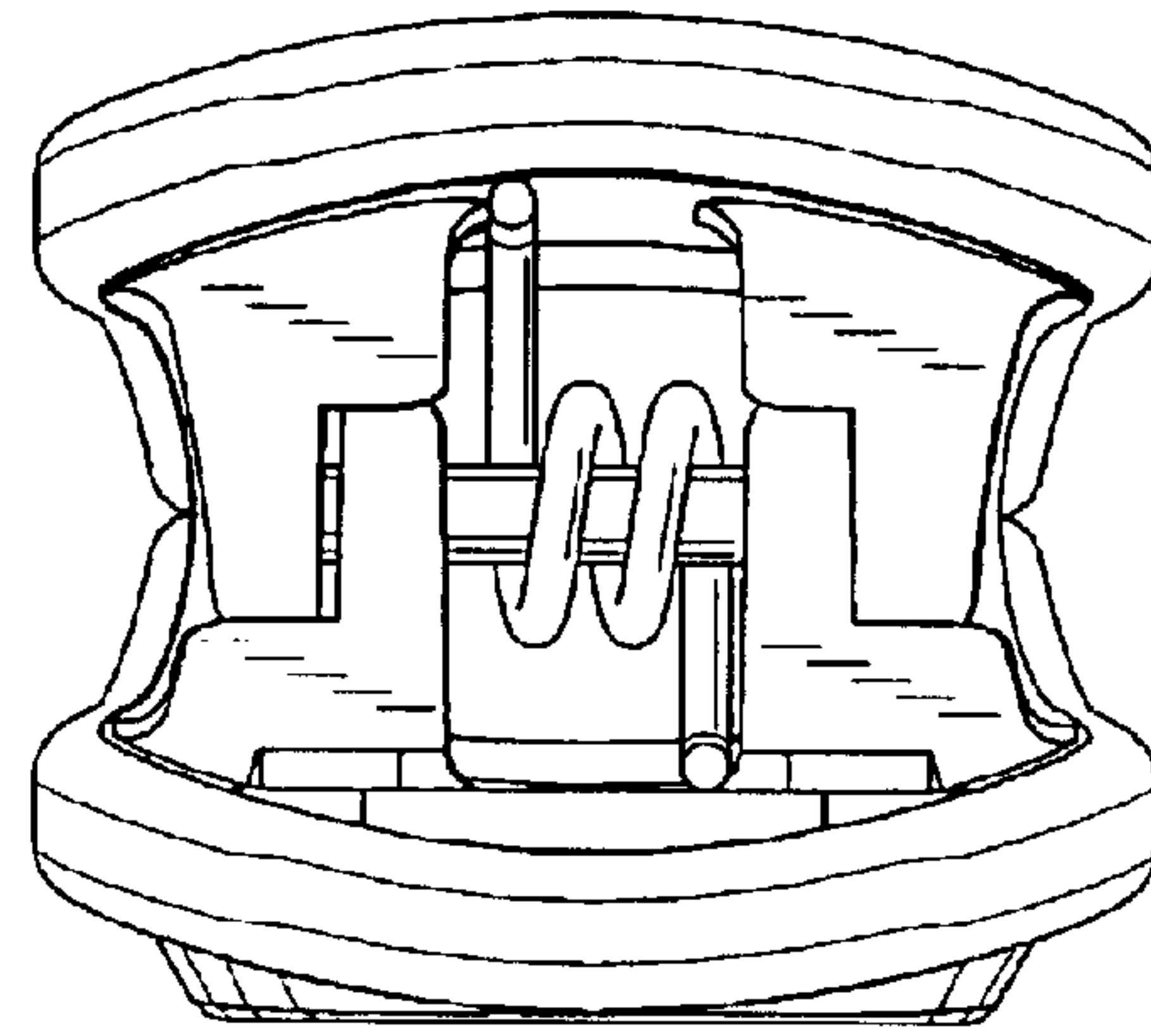


FIG. 5

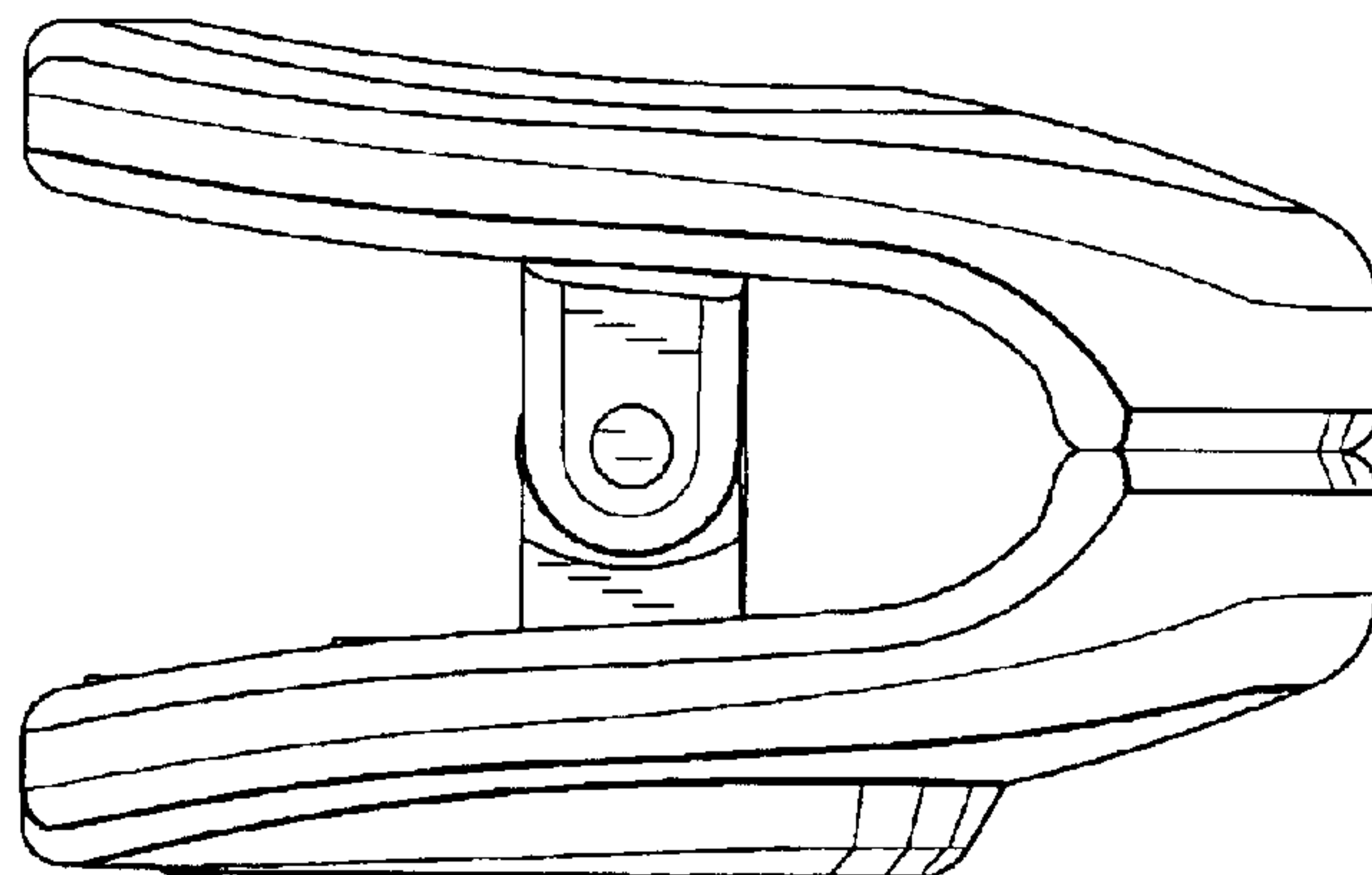


FIG. 6