



US00D514433S

(12) **United States Design Patent**
Goldberg

(10) **Patent No.:** **US D514,433 S**

(45) **Date of Patent:** **** Feb. 7, 2006**

(54) **HOUSE SHAPED COBRA CLIP**

(75) **Inventor:** **Edward Goldberg**, Teaneck, NJ (US)

(73) **Assignee:** **Forever Green Holdings LLC**,
Woodbridge, NJ (US)

(**) **Term:** **14 Years**

(21) **Appl. No.:** **29/195,991**

(22) **Filed:** **Dec. 19, 2003**

(51) **LOC (8) Cl.** **08-08**

(52) **U.S. Cl.** **D8/383**

(58) **Field of Classification Search** D8/394-395,
D8/383; D11/14, 56, 81, 111, 178, 157, 70;
D19/65; D3/219, 211; D21/380, 506
See application file for complete search history.

(56) **References Cited**

U.S. PATENT DOCUMENTS

D107,523 S	*	12/1937	Lampl	D11/81
D209,675 S	*	12/1967	Calhoun	D11/111
D298,694 S	*	11/1988	Sass	D3/18
D344,627 S	*	3/1994	Hochman	D3/211

* cited by examiner

Primary Examiner—Holly H. Baynham
(74) *Attorney, Agent, or Firm*—Kaplan & Gilman, LLP;
Michael R. Gilman

(57) **CLAIM**

The ornamental design for a house shaped cobra clip, as shown and described.

DESCRIPTION

FIG. 1 is a perspective view of the house shaped cobra clip according to my design;

FIG. 2 is a front elevational view of my design;

FIG. 3 is a rear elevational view of my design;

FIG. 4 is a left side view of my design;

FIG. 5 is a right side view of my design;

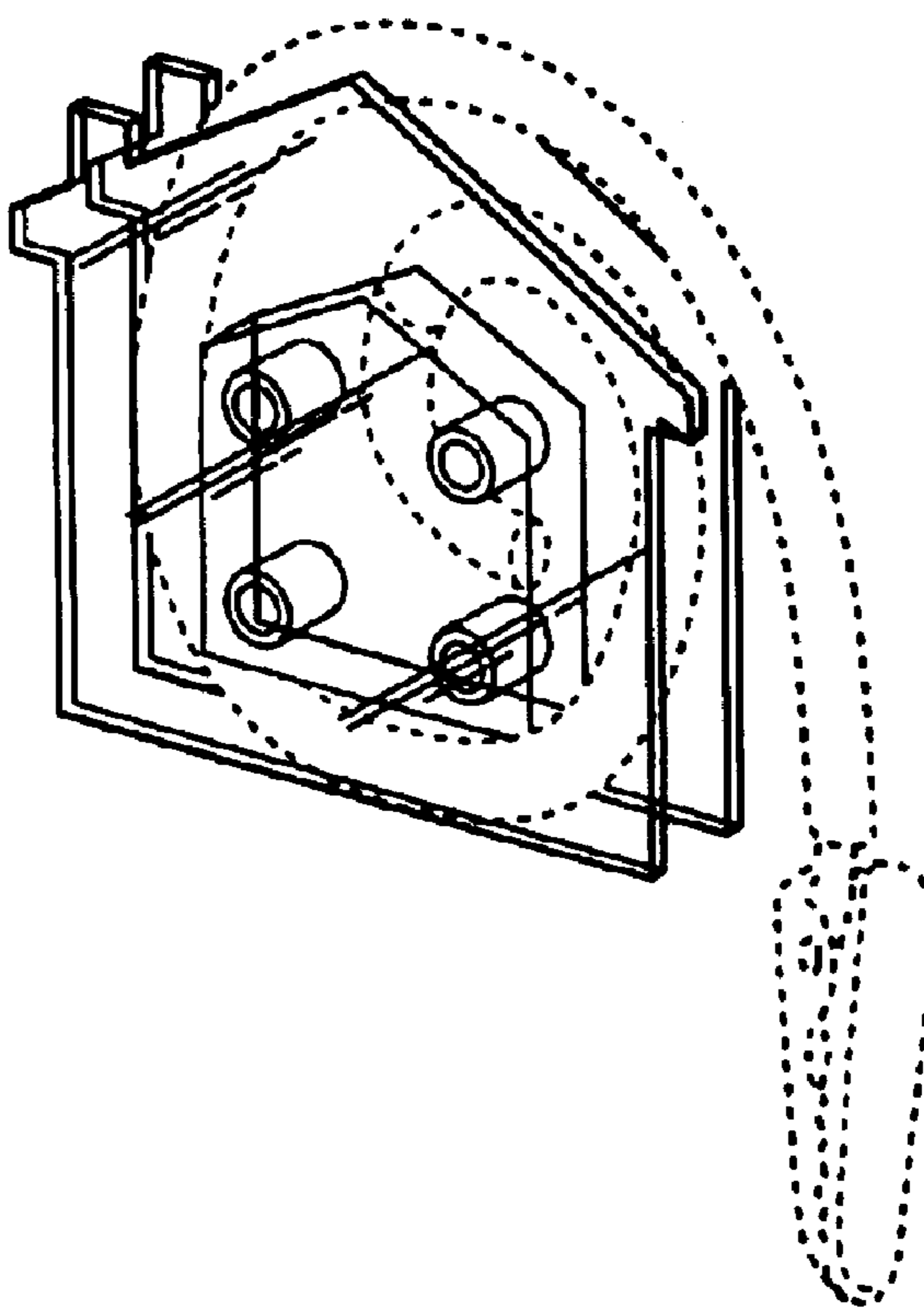
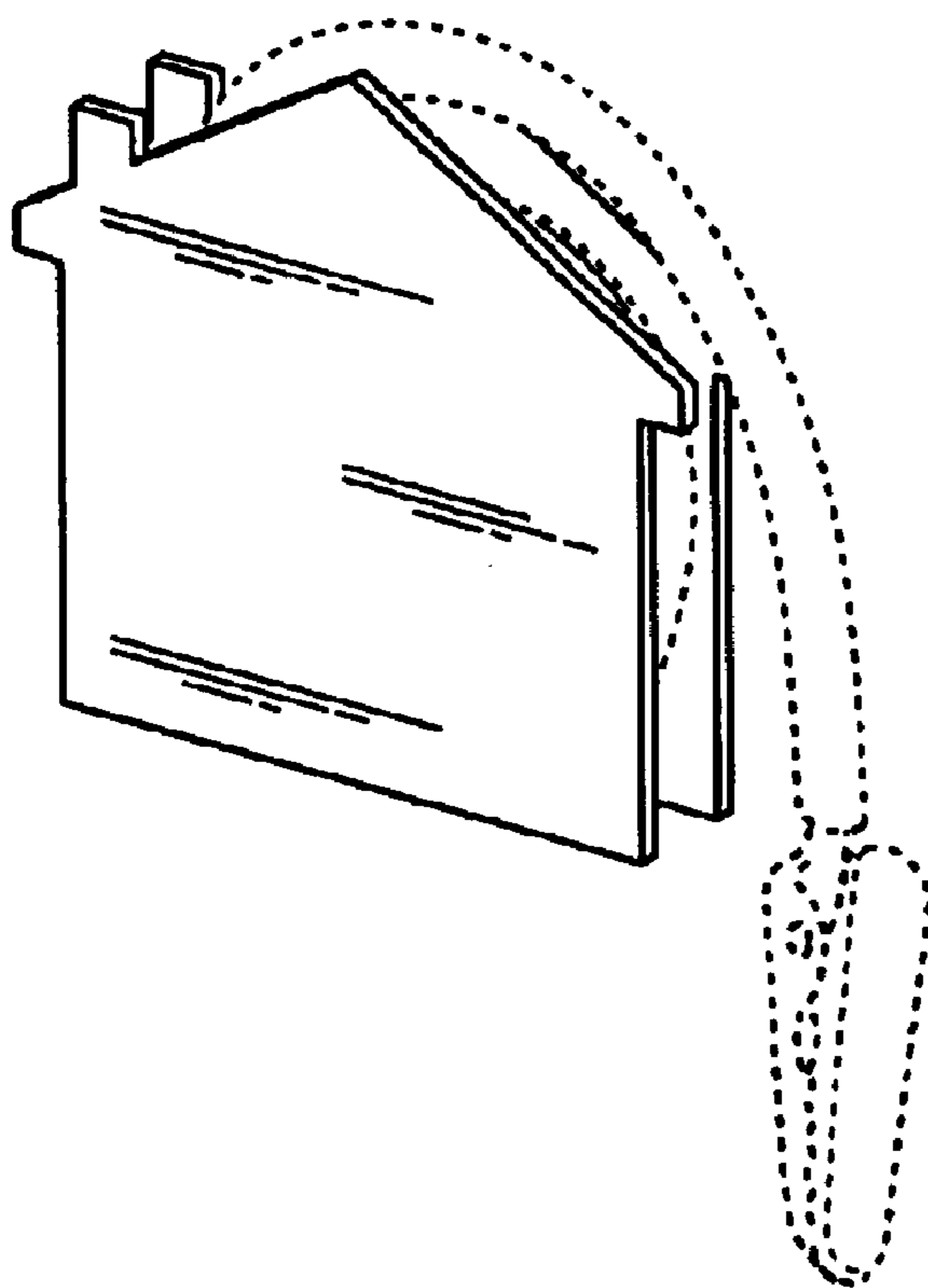
FIG. 6 is a top plan view of my design;

FIG. 7 is a bottom view of my design; and,

FIG. 8 is a perspective view of a second embodiment of my design, wherein the left, right, top and bottom views are the same, as shown in FIGS. 4-7 of the above first embodiment and the front and rear elevational views will be identical, except opposite.

The broken lines shown on the drawings are for illustrative purposes only and form no part of the claimed design.

1 Claim, 2 Drawing Sheets



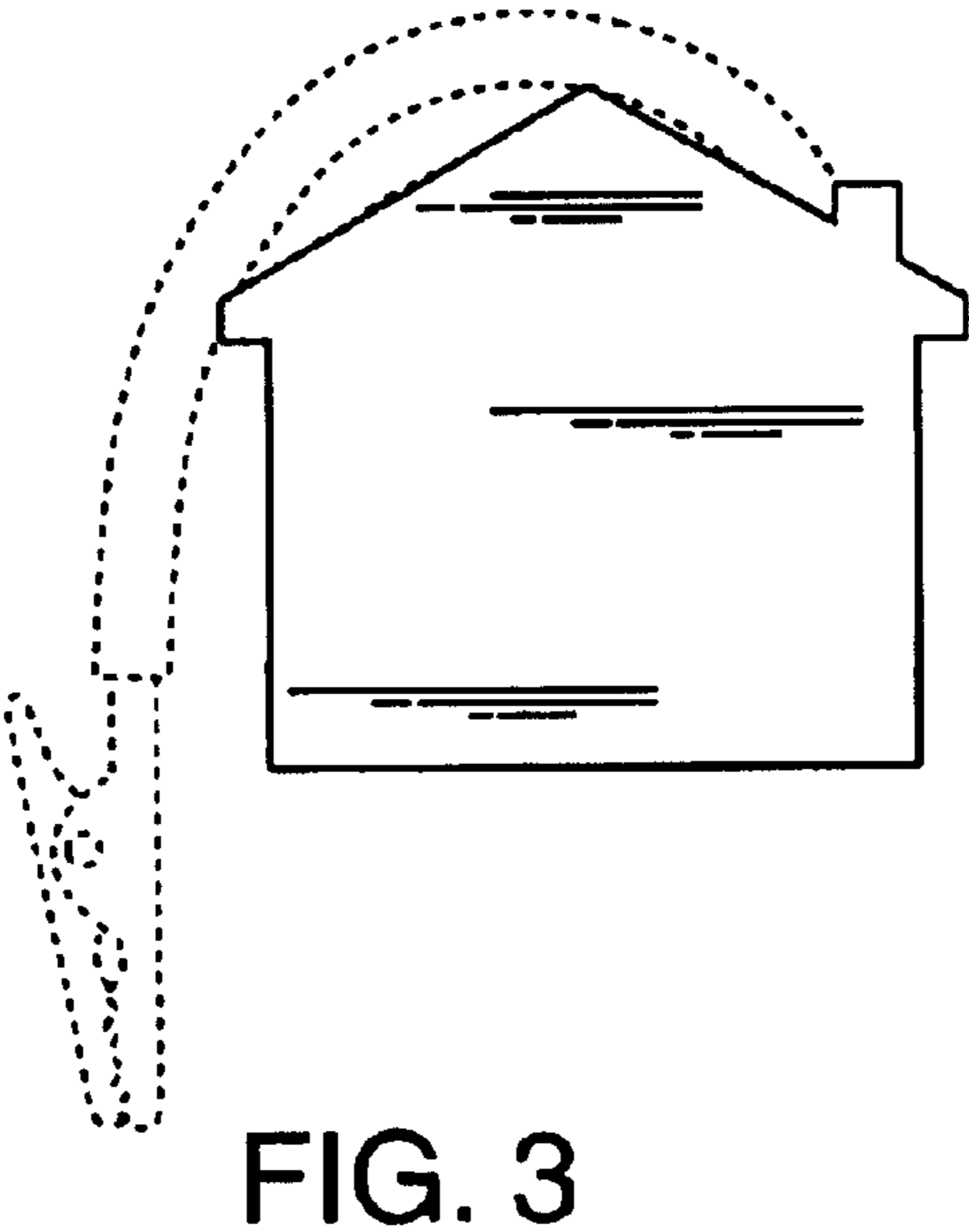
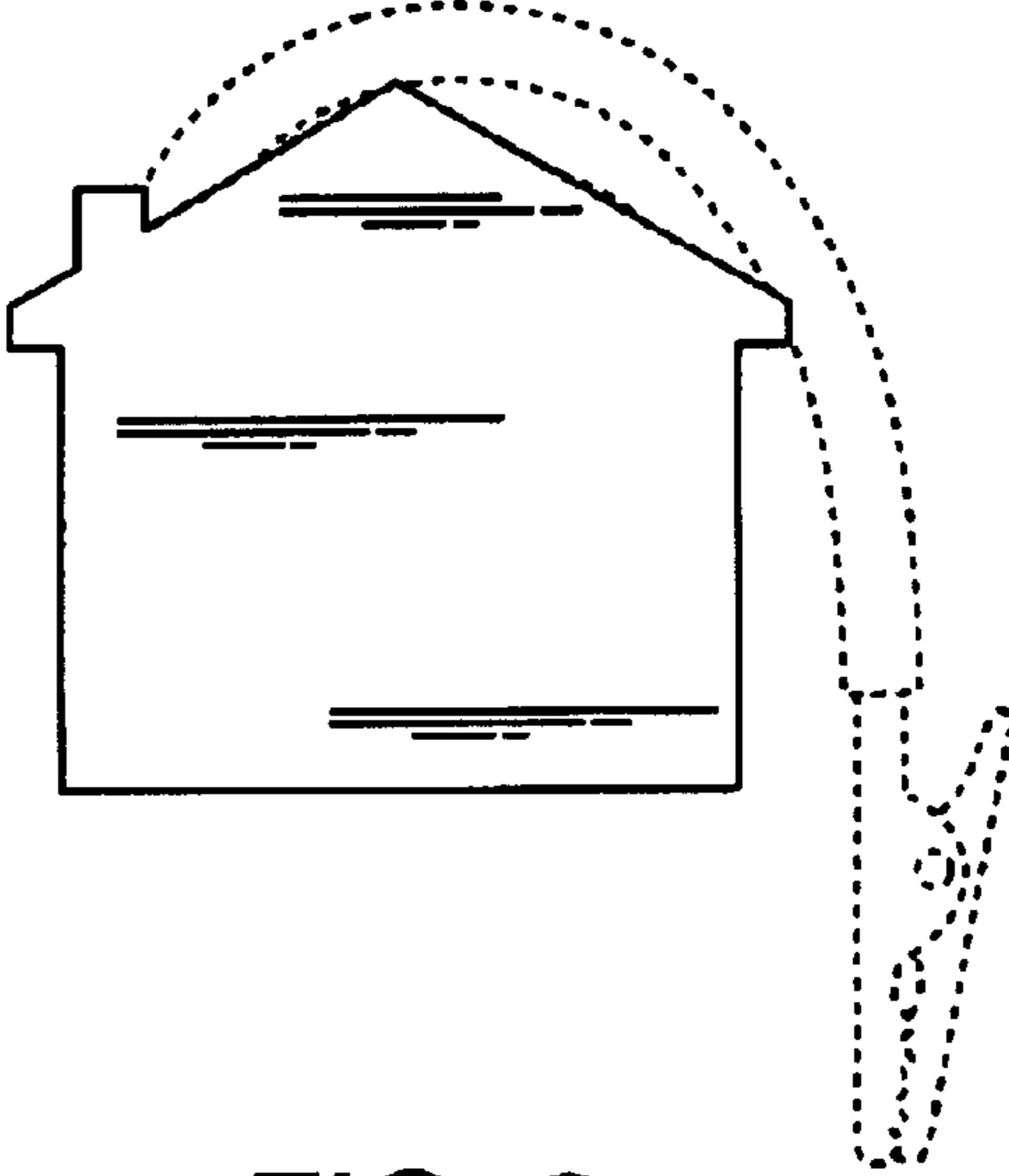
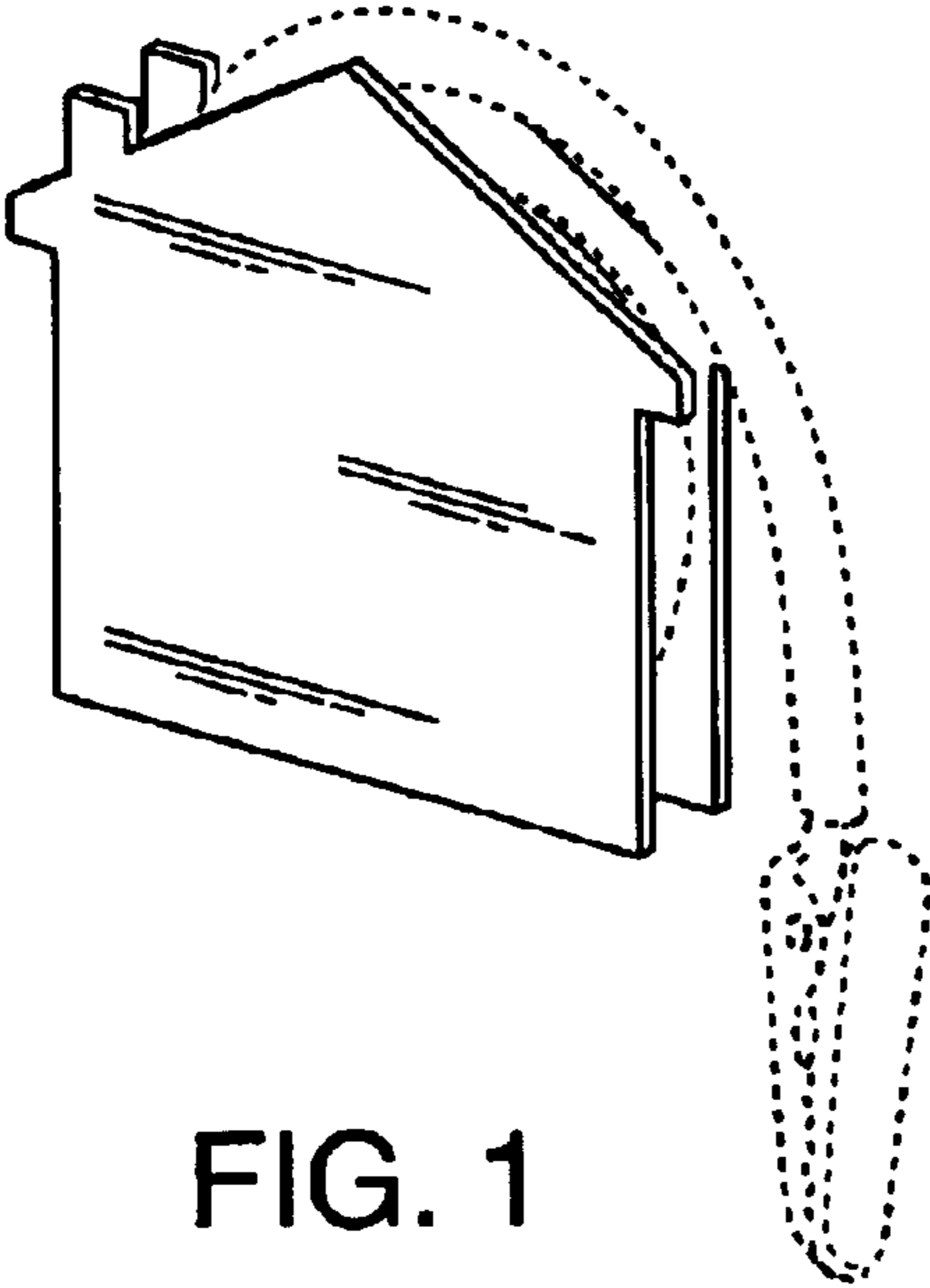




FIG. 4



FIG. 5

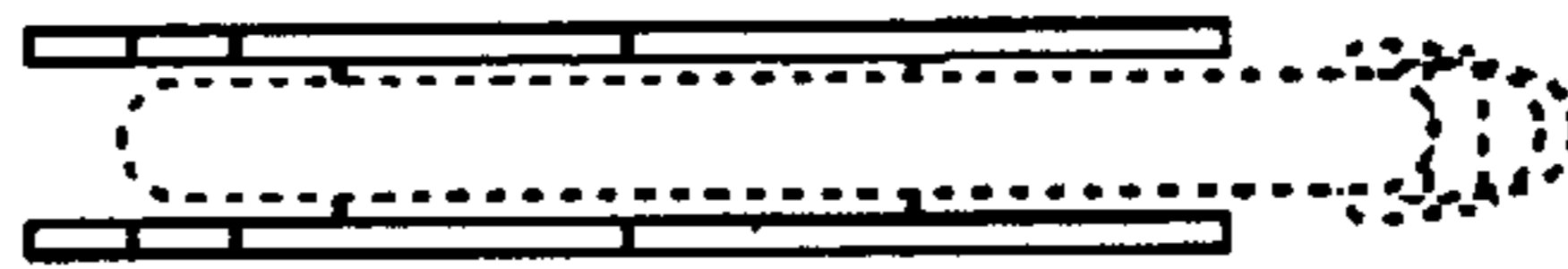


FIG. 6

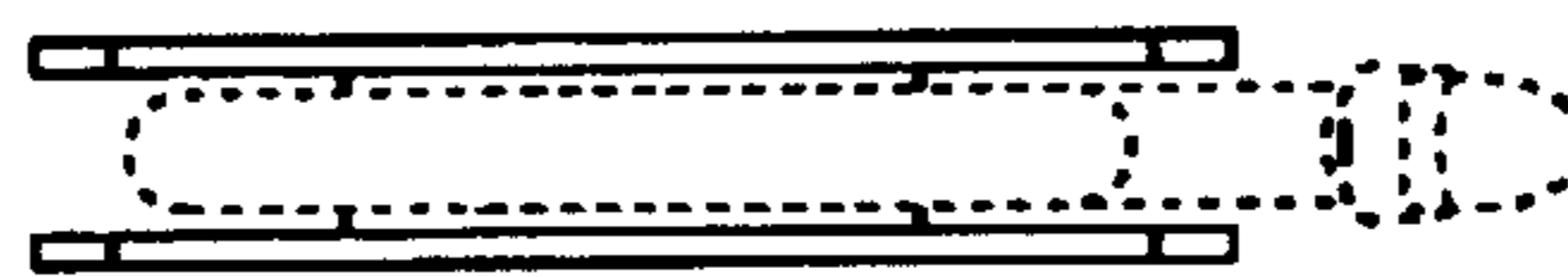


FIG. 7

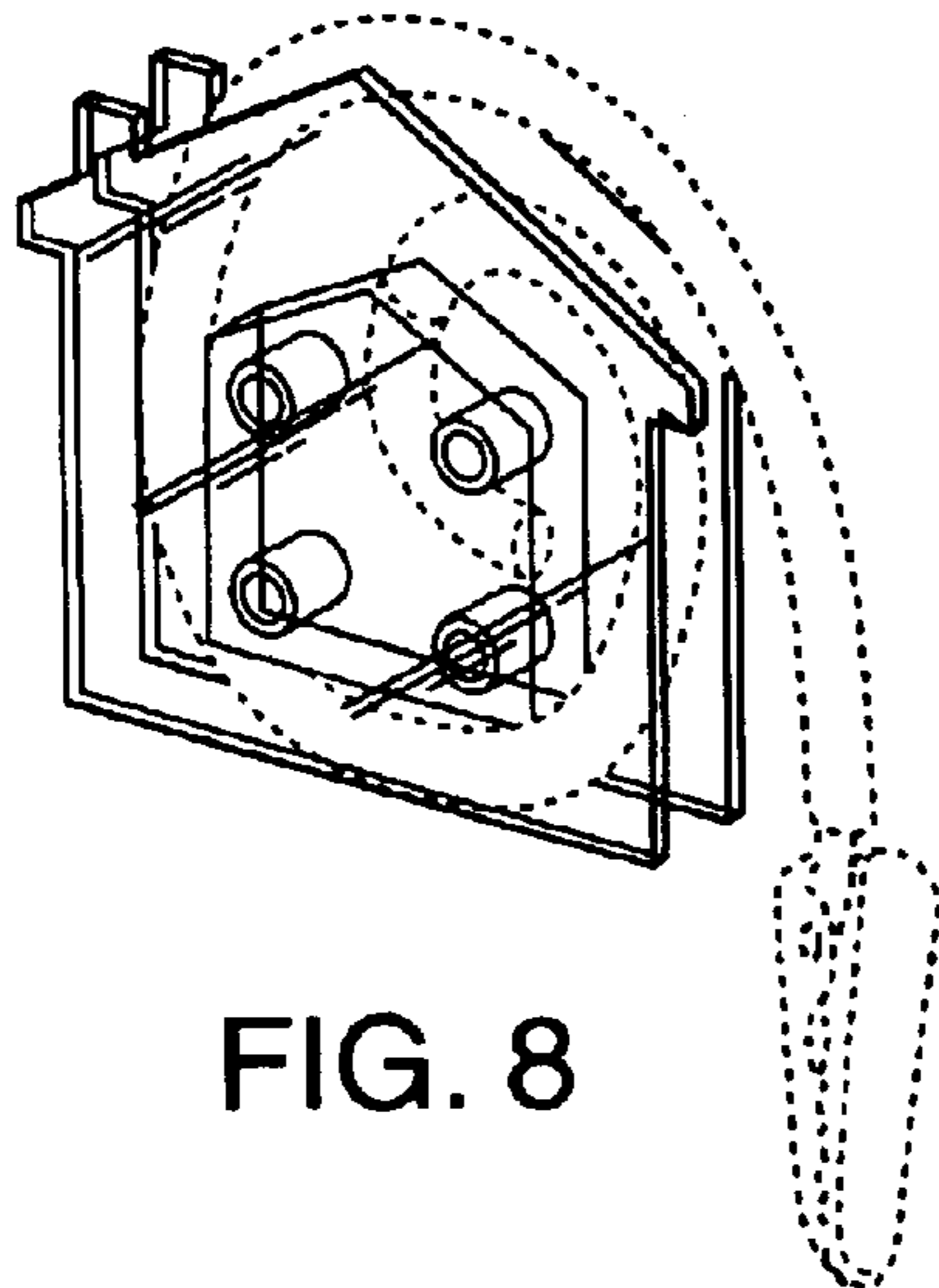


FIG. 8