

US00D514431S

(12) **United States Design Patent**
Tanaka et al.

(10) **Patent No.:** **US D514,431 S**
(45) **Date of Patent:** **** Feb. 7, 2006**

- (54) **RETAINING RING FOR SHAFT**
- (75) Inventors: **Kouichi Tanaka**, Aichi-ken (JP);
Yoshichika Tanaka, Aichi-ken (JP)
- (73) Assignee: **Chubu Bearing Kabushikikaisha**,
Aichi-ken (JP)
- (**) Term: **14 Years**
- (21) Appl. No.: **29/210,103**
- (22) Filed: **Jul. 27, 2004**
- (30) **Foreign Application Priority Data**
Apr. 26, 2004 (JP) 2004-12533
- (51) **LOC (8) Cl.** **08-05**
- (52) **U.S. Cl.** **D8/354**
- (58) **Field of Classification Search** D8/354,
D8/71, 72, 373, 380; D15/148, 149; D12/233;
248/300, 500, 505, 682; 285/321; 411/353,
411/517, 518, 520, 521, 522, 532; 464/162,
464/173, 176, 179; 403/316, 408.1; 24/16 R
See application file for complete search history.

- (56) **References Cited**
U.S. PATENT DOCUMENTS
1,915,640 A * 6/1933 Alsaker 411/532
2,026,454 A * 12/1935 Benzing 411/517
2,411,761 A * 11/1946 Stolberg 411/517
2,487,803 A * 11/1949 Heimann 411/517
2,595,787 A * 5/1952 Heimann 24/16 R
2,755,698 A * 7/1956 Wurzel 411/517

- 3,340,760 A * 9/1967 Wormser 411/520
- 3,595,123 A * 7/1971 Wurzel 411/517
- 3,787,134 A * 1/1974 Burr 403/408.1
- 5,127,764 A * 7/1992 Baer 403/316
- D487,390 S 3/2004 Tanaka et al.

* cited by examiner

Primary Examiner—Ruth McInroy
Assistant Examiner—Terrence Huang
(74) *Attorney, Agent, or Firm*—Flynn, Thiel, Boutell & Tanis, P.C.

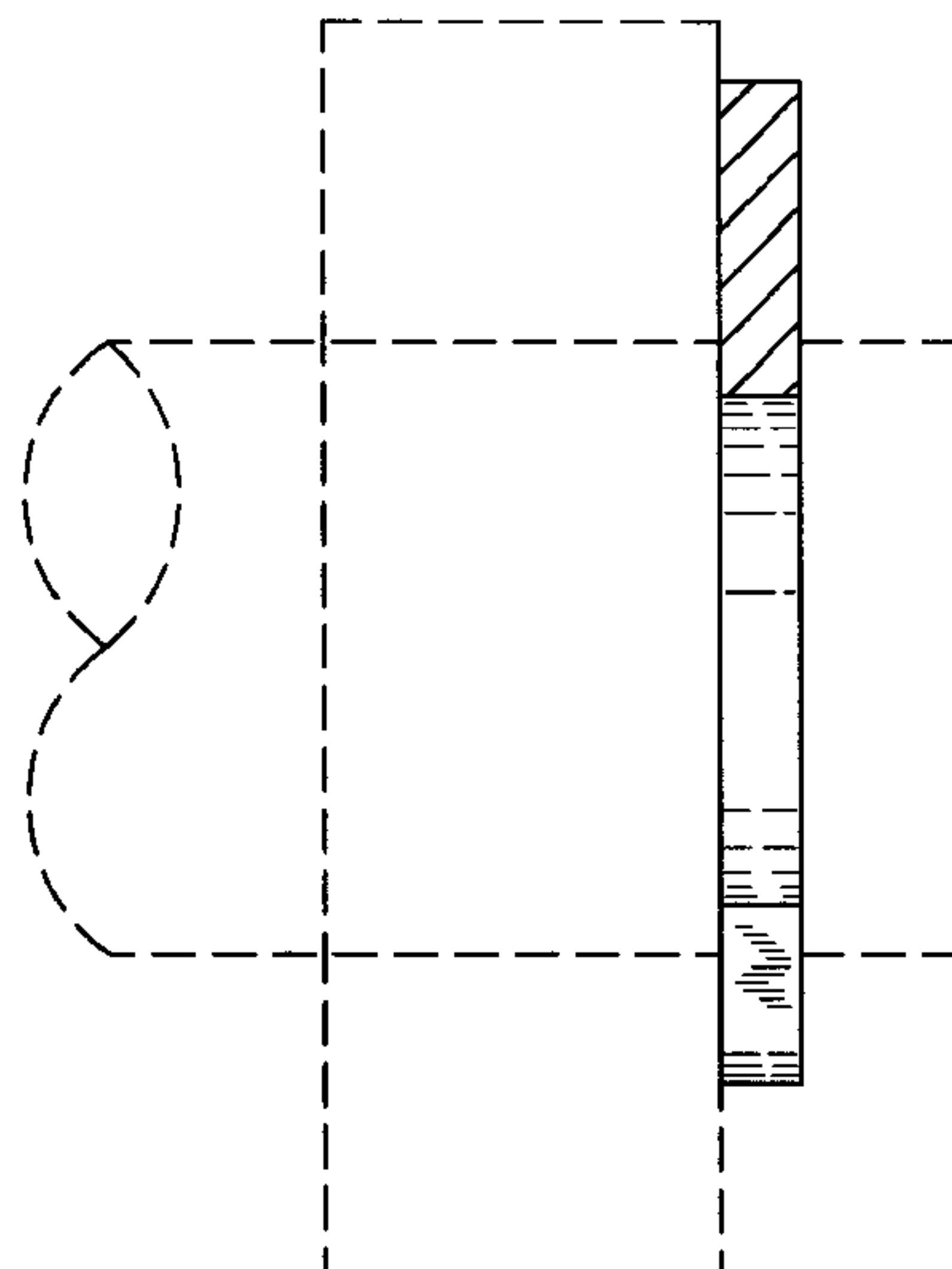
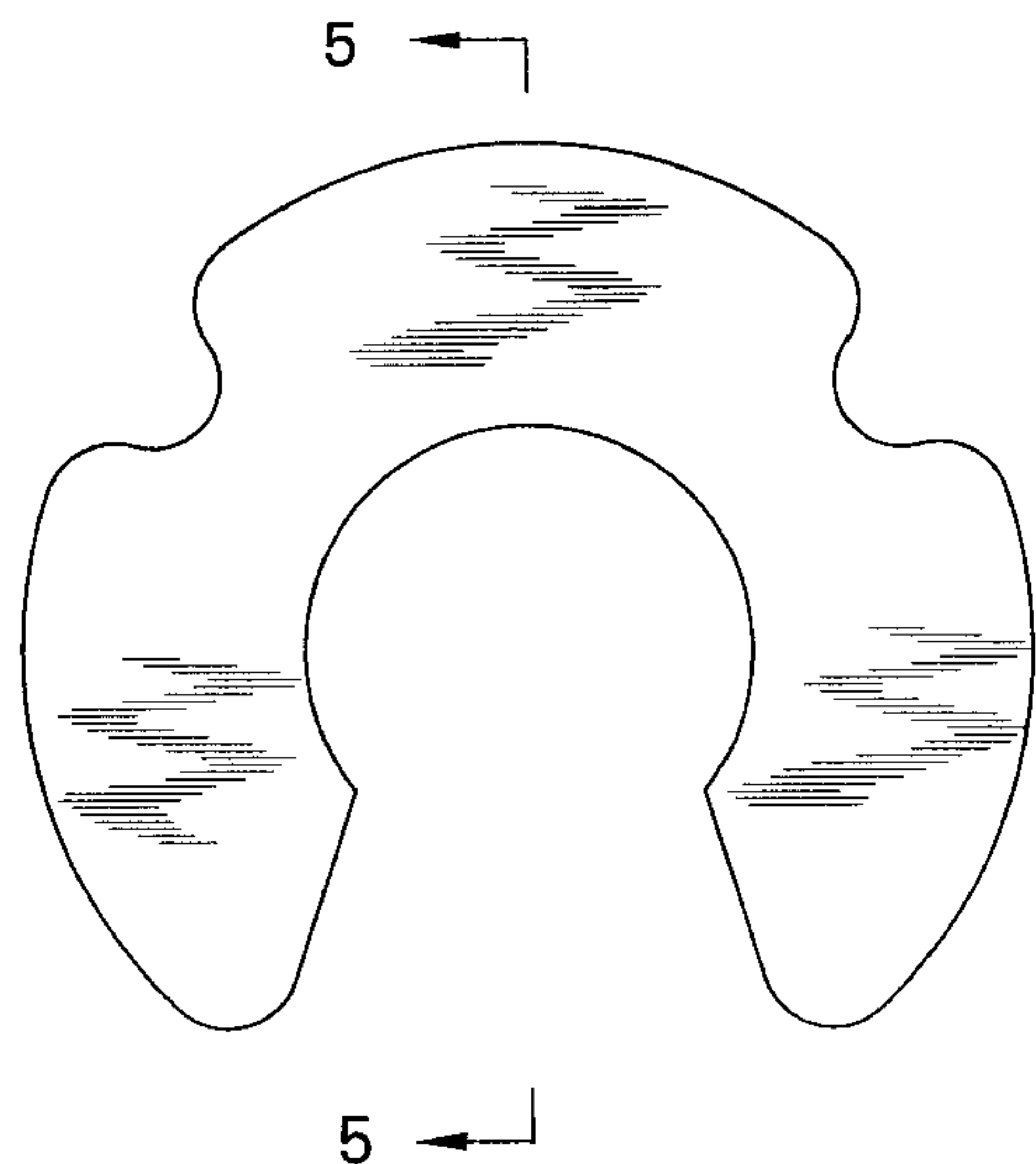
(57) **CLAIM**

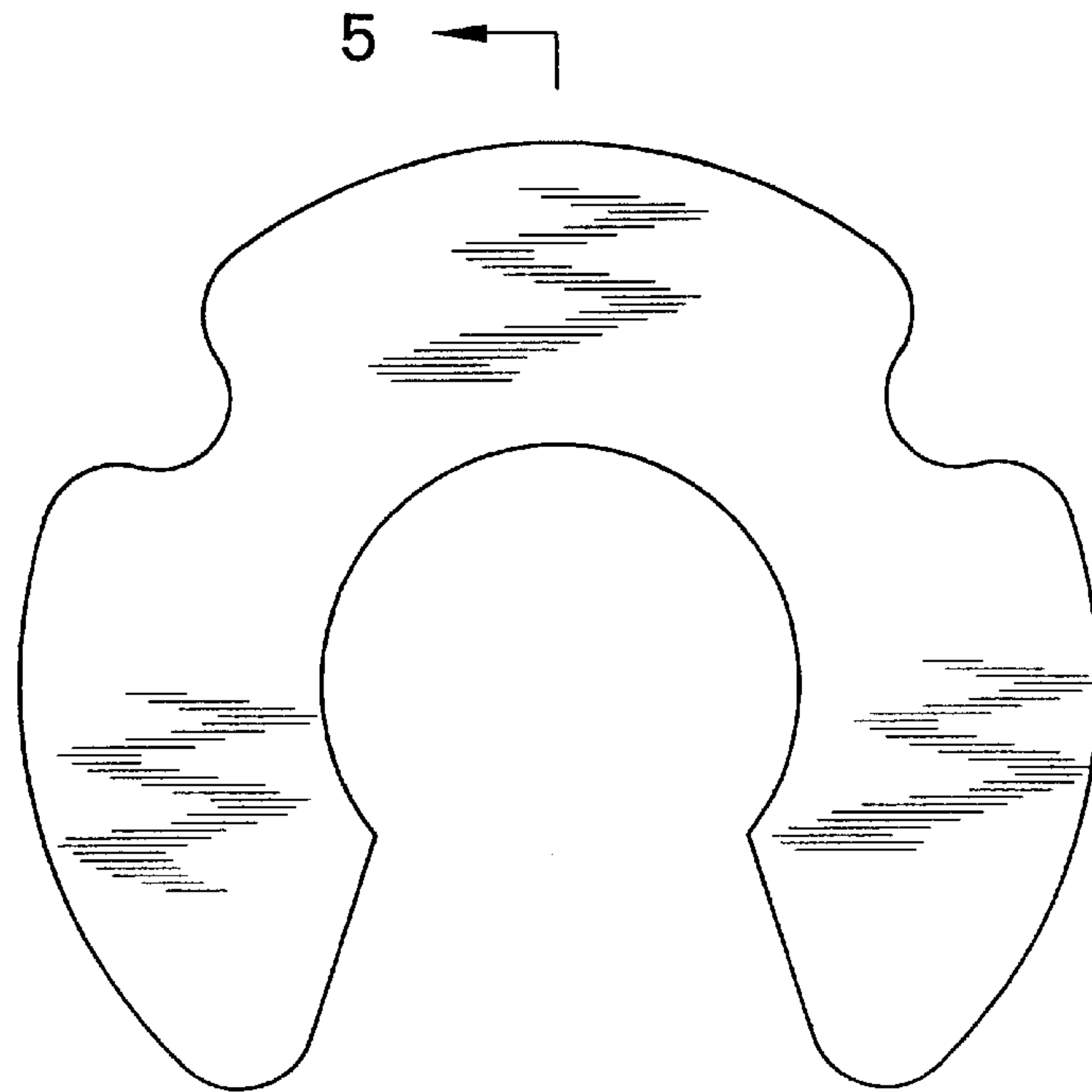
The ornamental design for a retaining ring for shaft, as shown and described.

DESCRIPTION

FIG. 1 is a front view for the retaining ring for shaft showing our new design, the rear view being a mirror image;
FIG. 2 is a top view thereof;
FIG. 3 is a bottom view thereof;
FIG. 4 is a left side view thereof, the right side view being a mirror image;
FIG. 5 is a sectional view taken along line 5—5 in FIG. 1 thereof;
FIG. 6 is a front view thereof, the retaining ring mounted on a shaft; and,
FIG. 7 is a side sectional view thereof, the retaining ring and a bearing mounted on a shaft.
The broken lines showing in FIGS. 6–7 are for illustrative purposes only and form no part of the claimed design.

1 Claim, 3 Drawing Sheets





5
FIG. 1

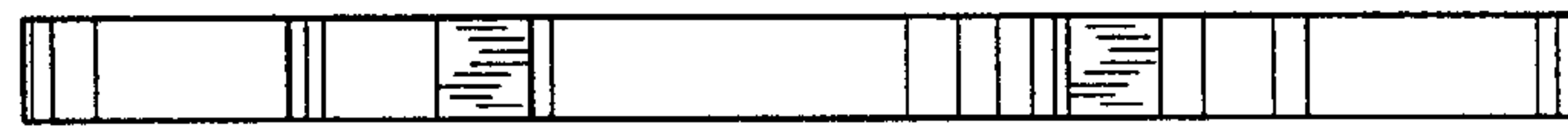


FIG. 2



FIG. 3



FIG. 4

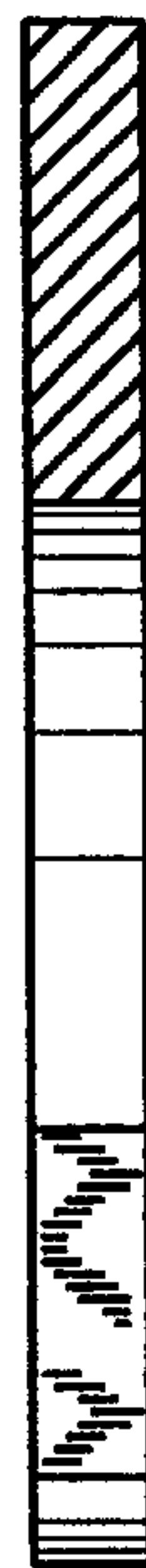


FIG. 5

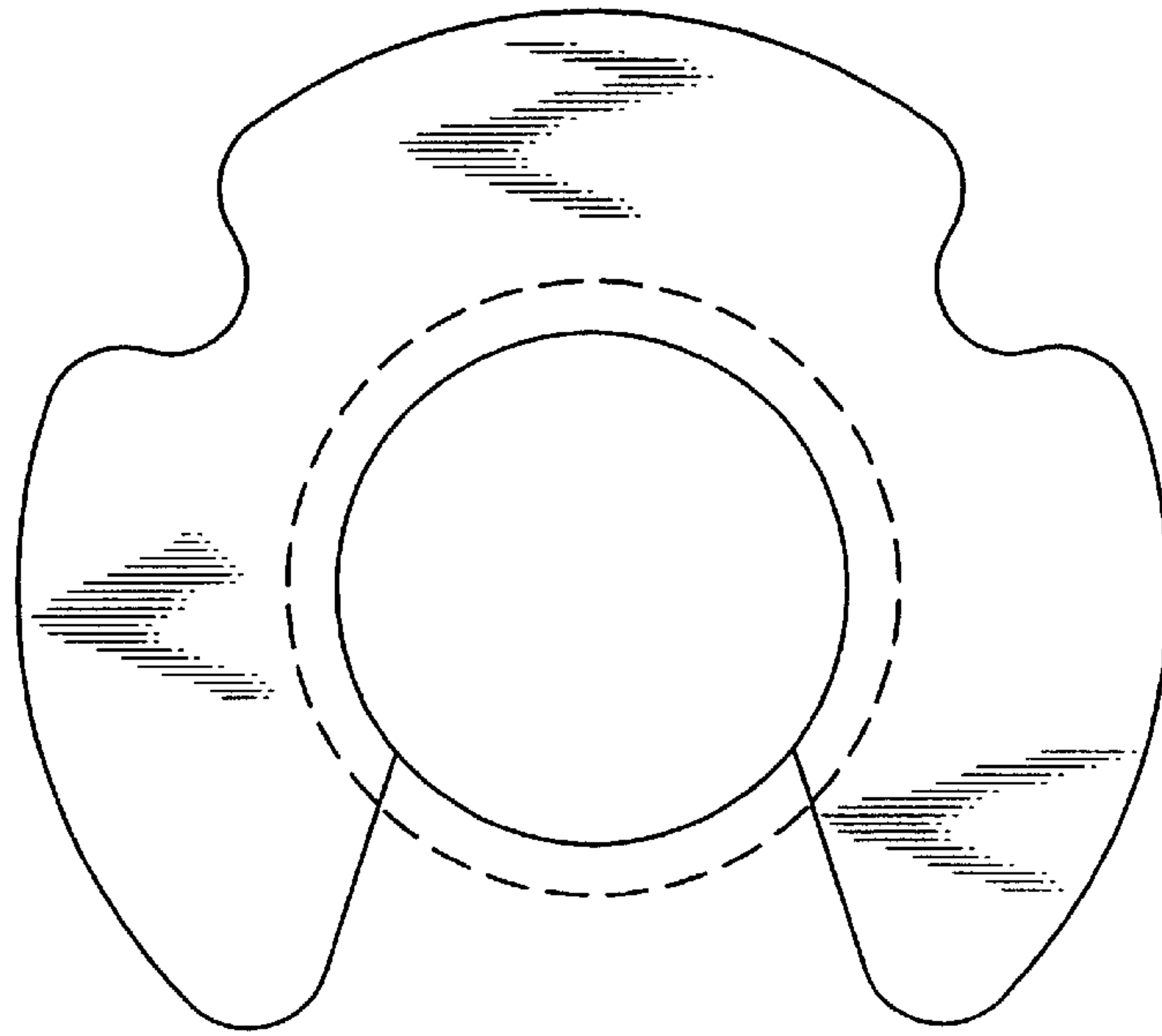


FIG. 6

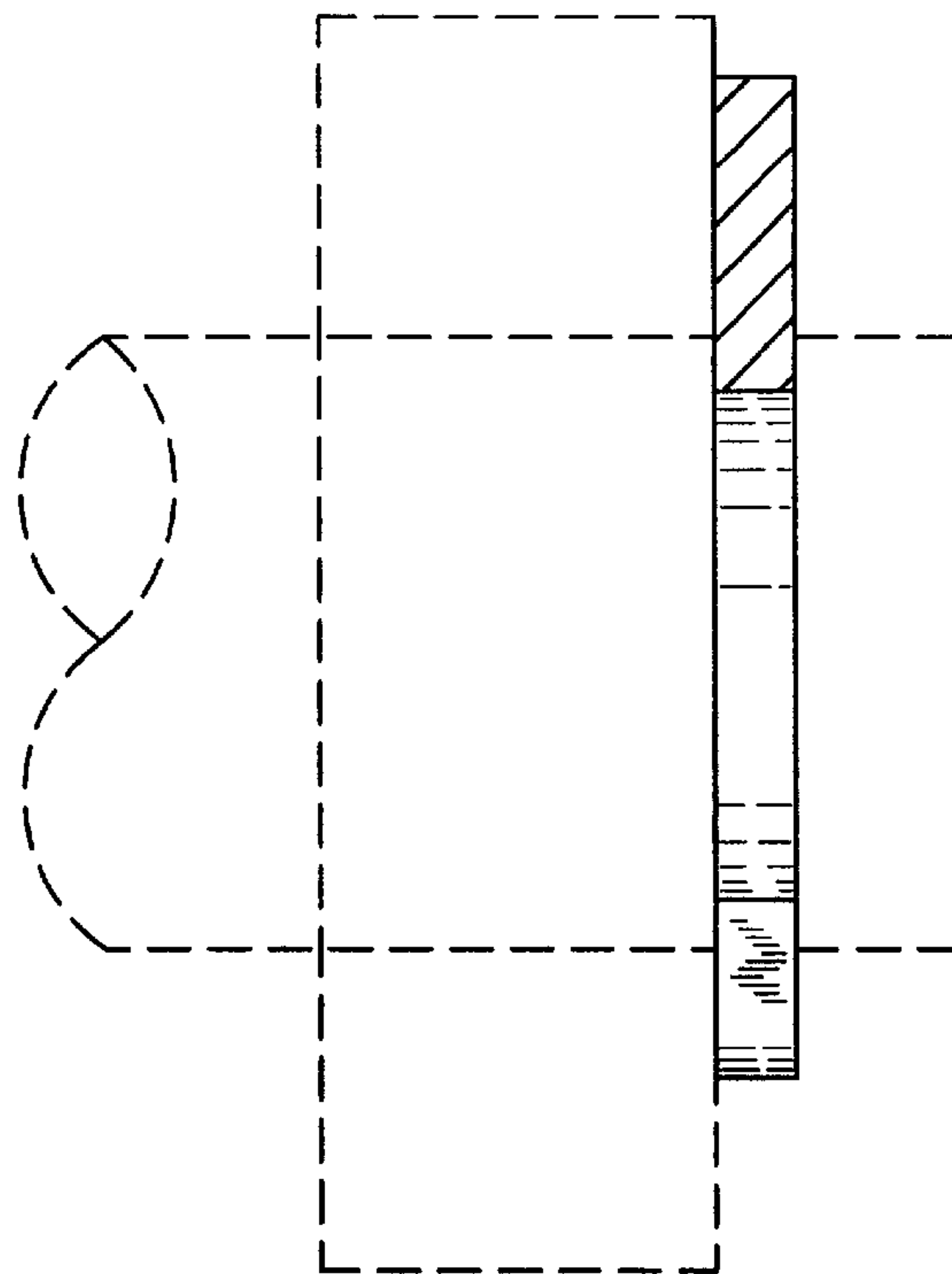


FIG. 7