



US00D514429S

(12) **United States Design Patent**
Cook

(10) **Patent No.:** **US D514,429 S**
(45) **Date of Patent:** **** Feb. 7, 2006**

(54) **PADLOCK KEY**

(76) **Inventor:** **Thomas David Cook**, 7606 Palmilla Dr., #38, San Diego, CA (US) 92122

(**) **Term:** **14 Years**

(21) **Appl. No.:** **29/215,672**

(22) **Filed:** **Oct. 21, 2004**

(51) **LOC (8) Cl.** **08-07**

(52) **U.S. Cl.** **D8/348; D8/347**

(58) **Field of Classification Search** **D8/347, D8/348, 330, 331, 334, 343; 70/393, 278.3, 70/344, 399, 402-408, 20, 21, 31**
See application file for complete search history.

(56) **References Cited**

U.S. PATENT DOCUMENTS

| | | | | | | |
|-----------|---|---|--------|------------------|-------|--------|
| 2,625,814 | A | * | 1/1953 | Mullan | | 70/414 |
| 2,699,667 | A | * | 1/1955 | Manny et al. | | 70/414 |
| D179,844 | S | * | 3/1957 | Gehria | | D8/348 |
| 3,527,072 | A | * | 9/1970 | Demetreon | | 70/414 |
| D294,005 | S | * | 2/1988 | Kornmayer et al. | | D8/347 |

| | | | | | | |
|-----------|---|---|---------|------------------|-------|----------|
| 4,888,970 | A | * | 12/1989 | Kinzler et al. | | 70/456 R |
| 4,941,569 | A | * | 7/1990 | Lindmayer et al. | | 206/38.1 |
| D407,006 | S | * | 3/1999 | Sacco et al. | | D8/347 |
| D434,301 | S | * | 11/2000 | Van Den Acker | | D8/347 |

* cited by examiner

Primary Examiner—Prabhakar Deshmukh

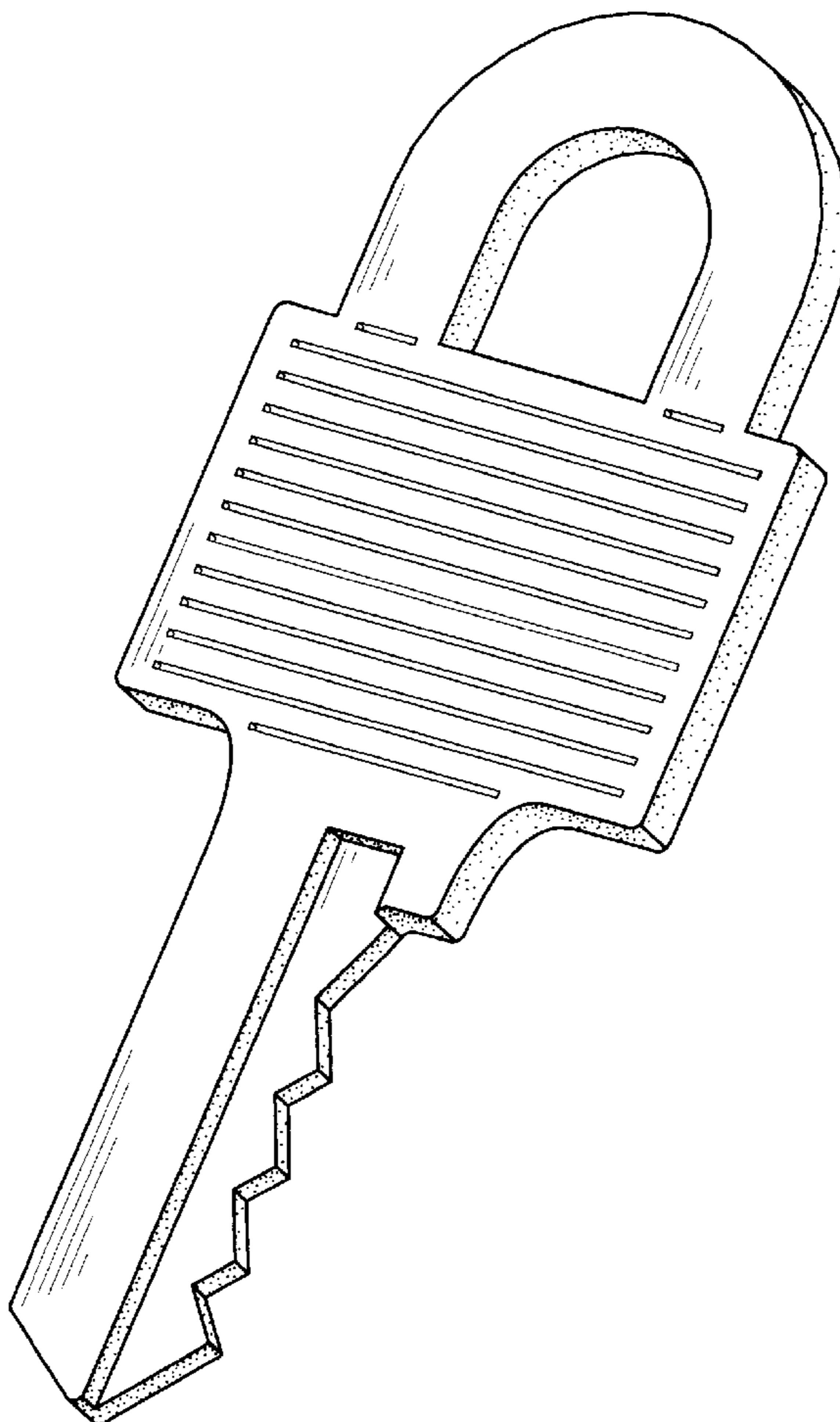
(57) **CLAIM**

The ornamental design for a padlock key, as shown and described.

DESCRIPTION

FIG. 1 is a front view of the padlock key showing my new design;
FIG. 2 is a back view thereof;
FIG. 3 is a left view thereof;
FIG. 4 is a right side view thereof;
FIG. 5 is a top view thereof;
FIG. 6 is a bottom view thereof; and,
FIG. 7 is a perspective view thereof.
The characteristic feature of the design resides in a padlock shaped key head.

1 Claim, 2 Drawing Sheets



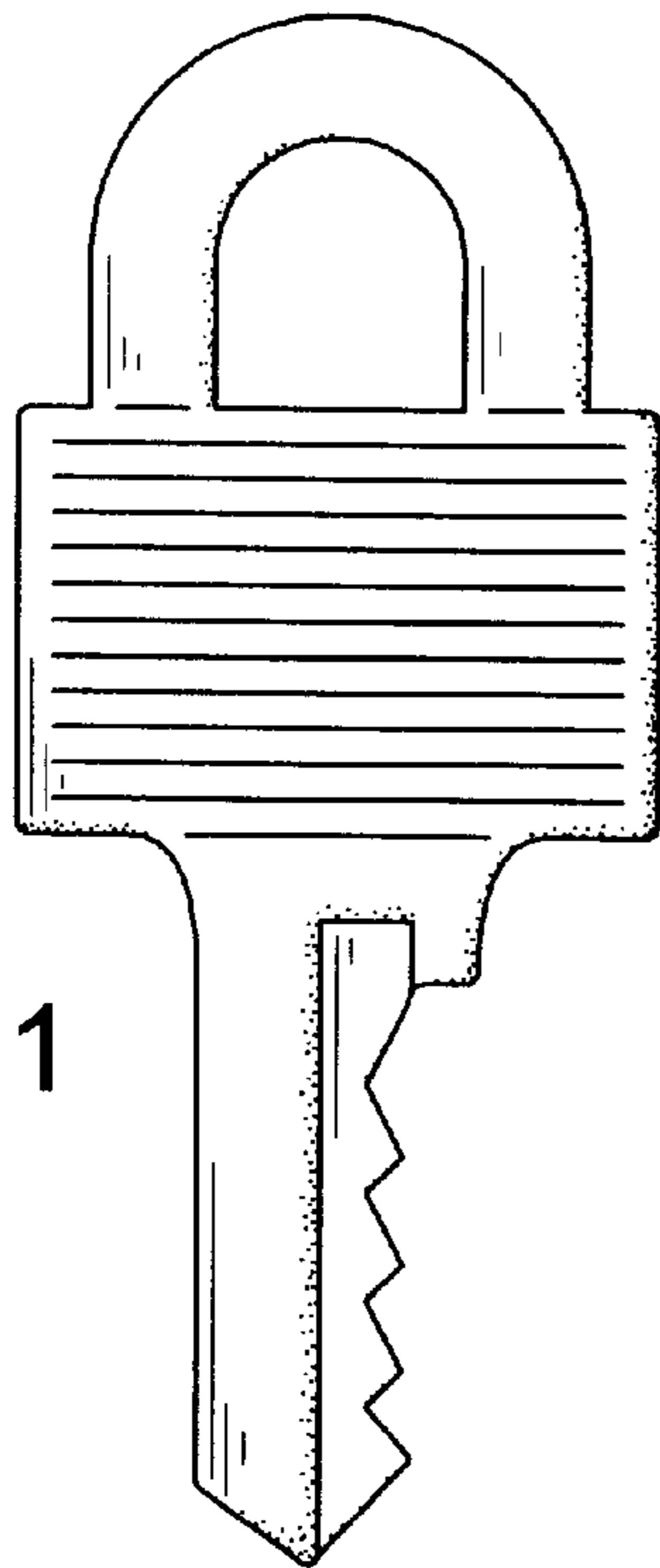


Fig. 1

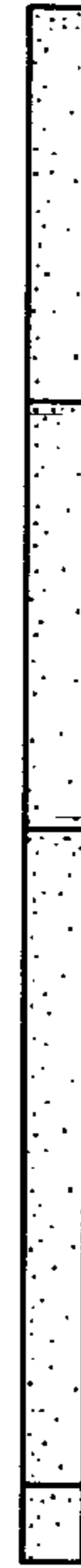


Fig. 3

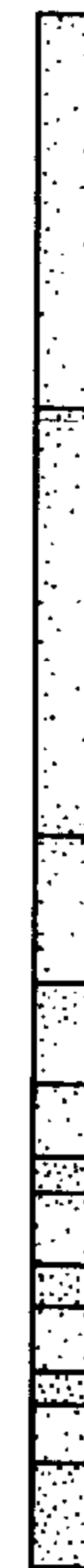


Fig. 4

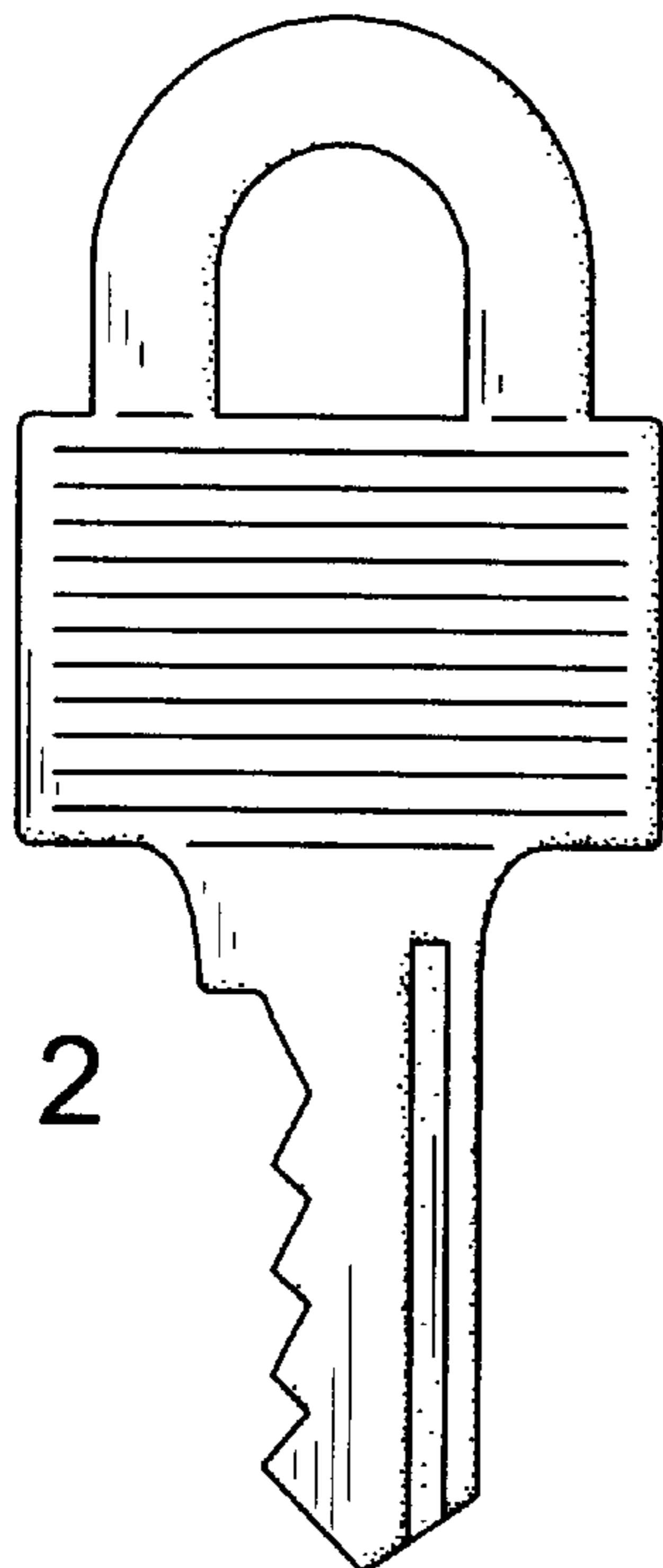


Fig. 2

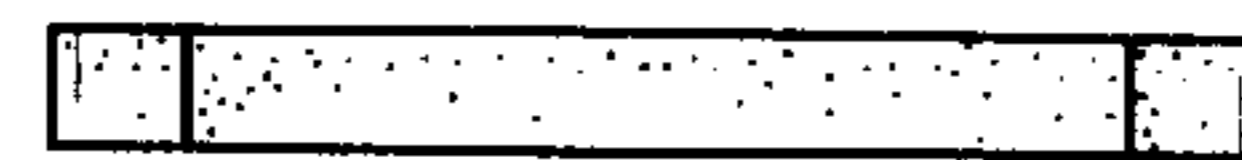


Fig. 5



Fig. 6

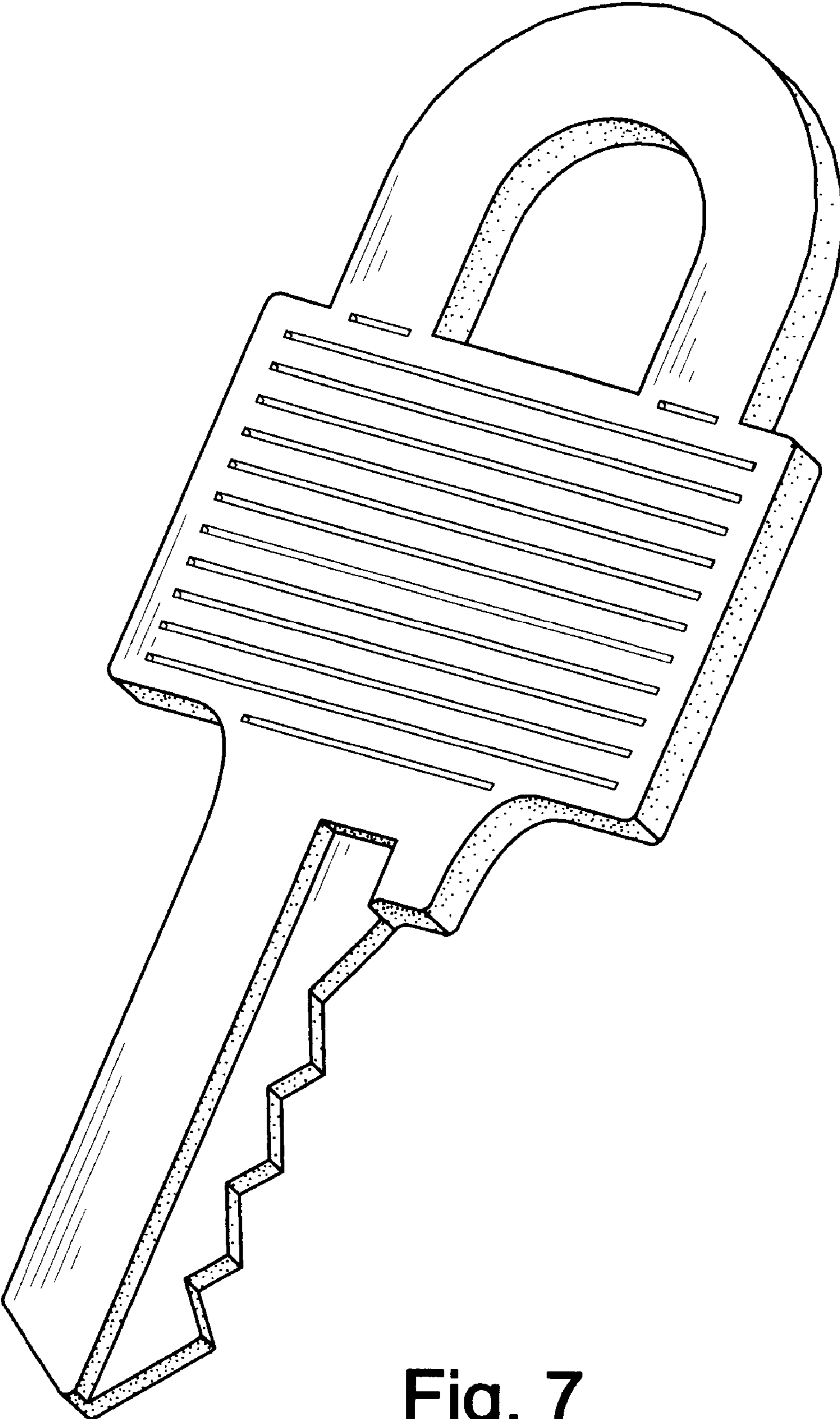


Fig. 7