



US00D514427S

(12) **United States Design Patent**  
**Lo**

(10) **Patent No.:** **US D514,427 S**

(45) **Date of Patent:** **\*\* Feb. 7, 2006**

(54) **AUTOMOBILE STEERING LOCK**

(76) **Inventor:** **Chi-Wen Lo**, 8F., No. 65, Sec. 2,  
Nan-Chang Road, Chung-Cheng  
District, Taipei City (TW)

(\*\*) **Term:** **14 Years**

(21) **Appl. No.:** **29/212,834**

(22) **Filed:** **Sep. 9, 2004**

(51) **LOC (8) Cl.** ..... **08-07**

(52) **U.S. Cl.** ..... **D8/339; D8/331**

(58) **Field of Classification Search** ..... D8/330,  
D8/331, 335, 341, 339, 343, 336; 70/207-226,  
70/237, 238, 252, 253; D21/725, 771, 780  
See application file for complete search history.

(56) **References Cited**

**U.S. PATENT DOCUMENTS**

D330,500 S	*	10/1992	Chen	.....	D8/331
D333,970 S	*	3/1993	Starmer	.....	D8/331
D348,206 S	*	6/1994	Chen	.....	D8/331
D348,208 S	*	6/1994	Chen	.....	D8/331
5,347,836 A	*	9/1994	Chen	.....	70/209

5,452,597 A	*	9/1995	Chen	.....	70/209
D372,853 S	*	8/1996	Chen et al.	.....	D8/331
5,636,537 A	*	6/1997	Chen	.....	70/209
5,970,758 A	*	10/1999	Chen	.....	70/209
D418,041 S	*	12/1999	Chen	.....	D8/331
6,357,269 B1	*	3/2002	Wu	.....	70/209
6,550,297 B1	*	4/2003	Chen	.....	70/209

\* cited by examiner

*Primary Examiner*—Prabhakar Deshmukh

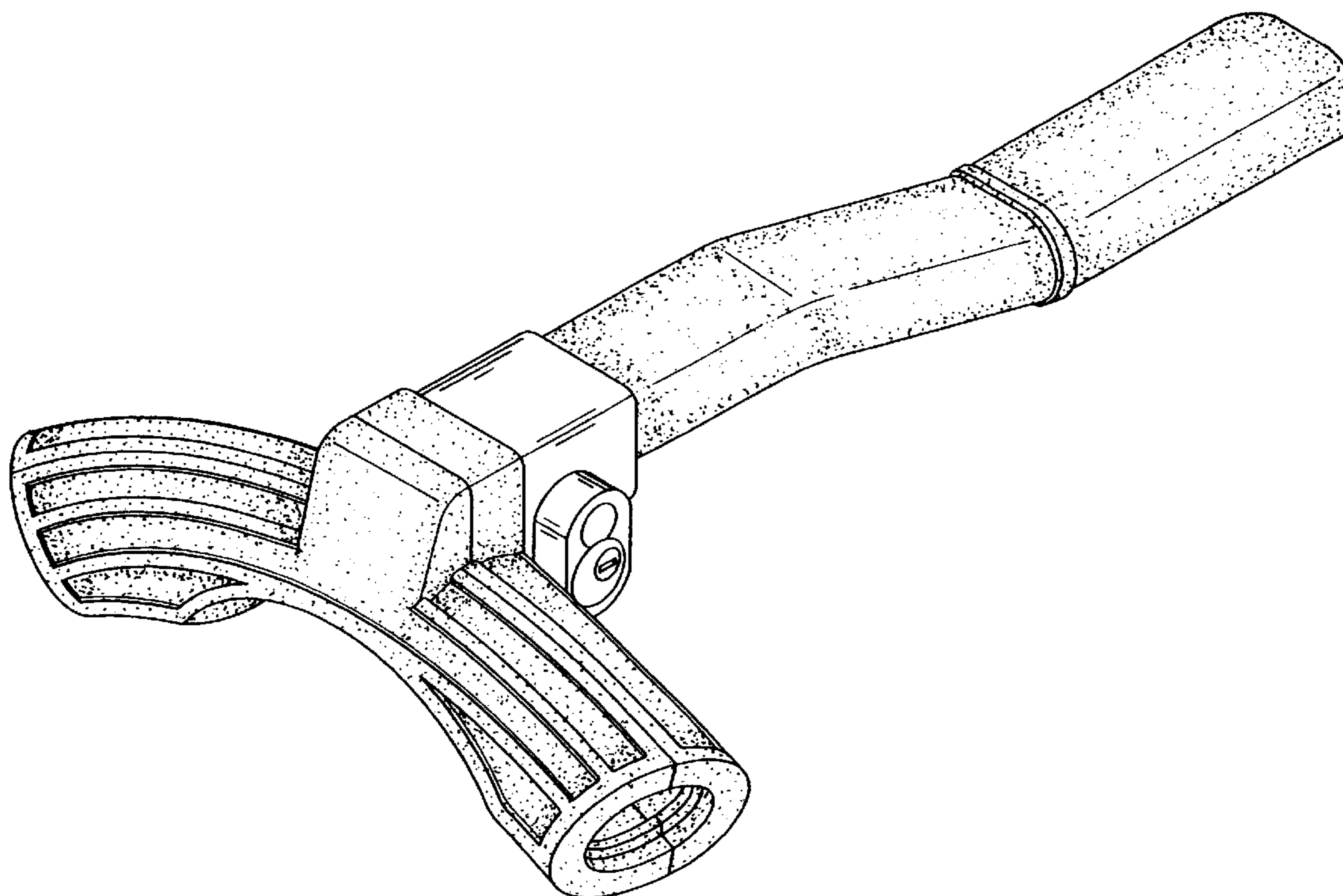
(57) **CLAIM**

The ornamental design for automobile steering lock, as shown and described.

**DESCRIPTION**

FIG. 1 is a perspective view of automobile steering lock showing my design;  
FIG. 2 is a front elevational view thereof;  
FIG. 3 is a rear elevational view thereof;  
FIG. 4 is a left side elevational view thereof;  
FIG. 5 is a right side elevational view thereof;  
FIG. 6 is a top plan view thereof; and,  
FIG. 7 is a bottom plan view thereof.

**1 Claim, 5 Drawing Sheets**



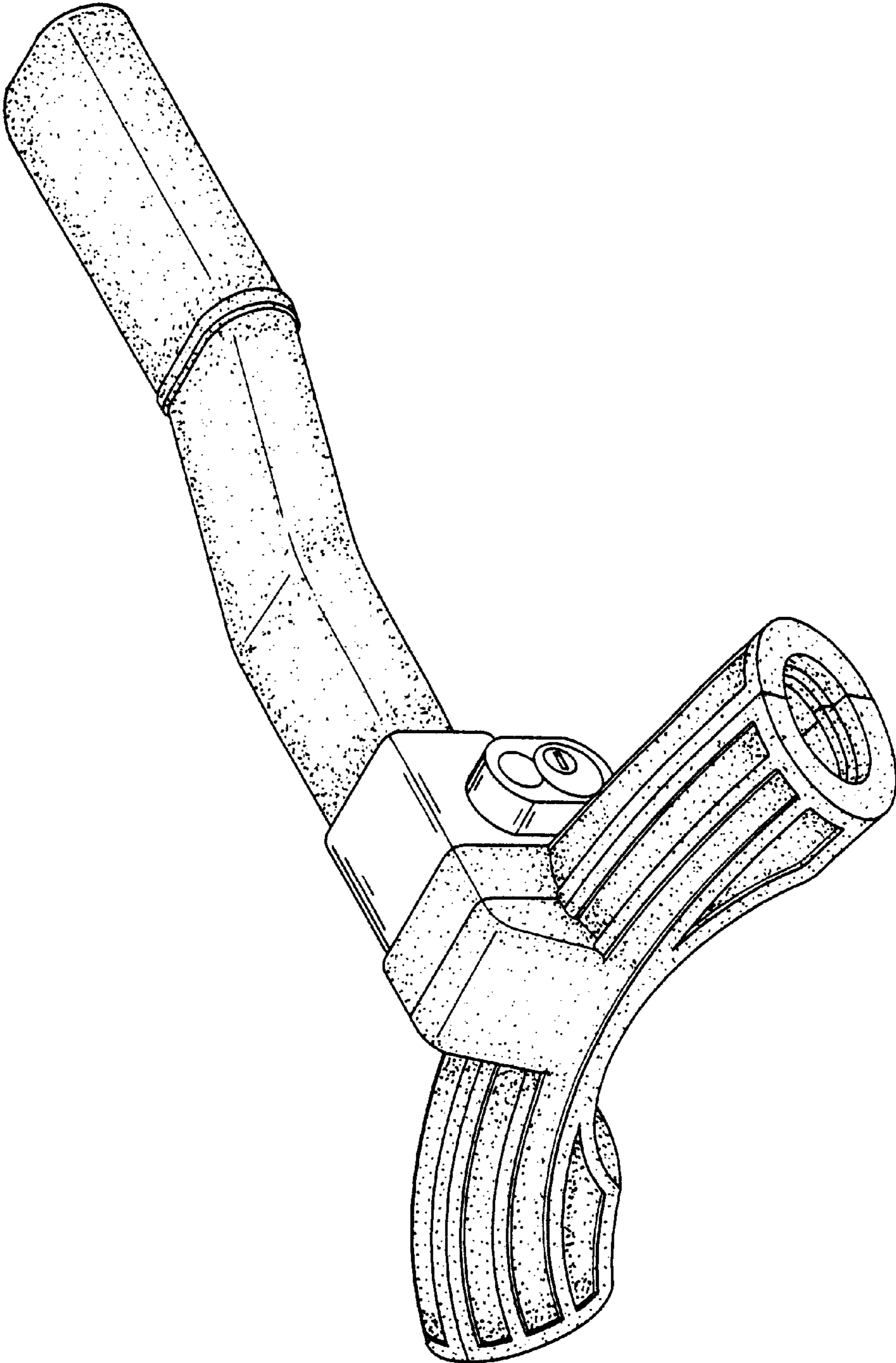


FIG. 1

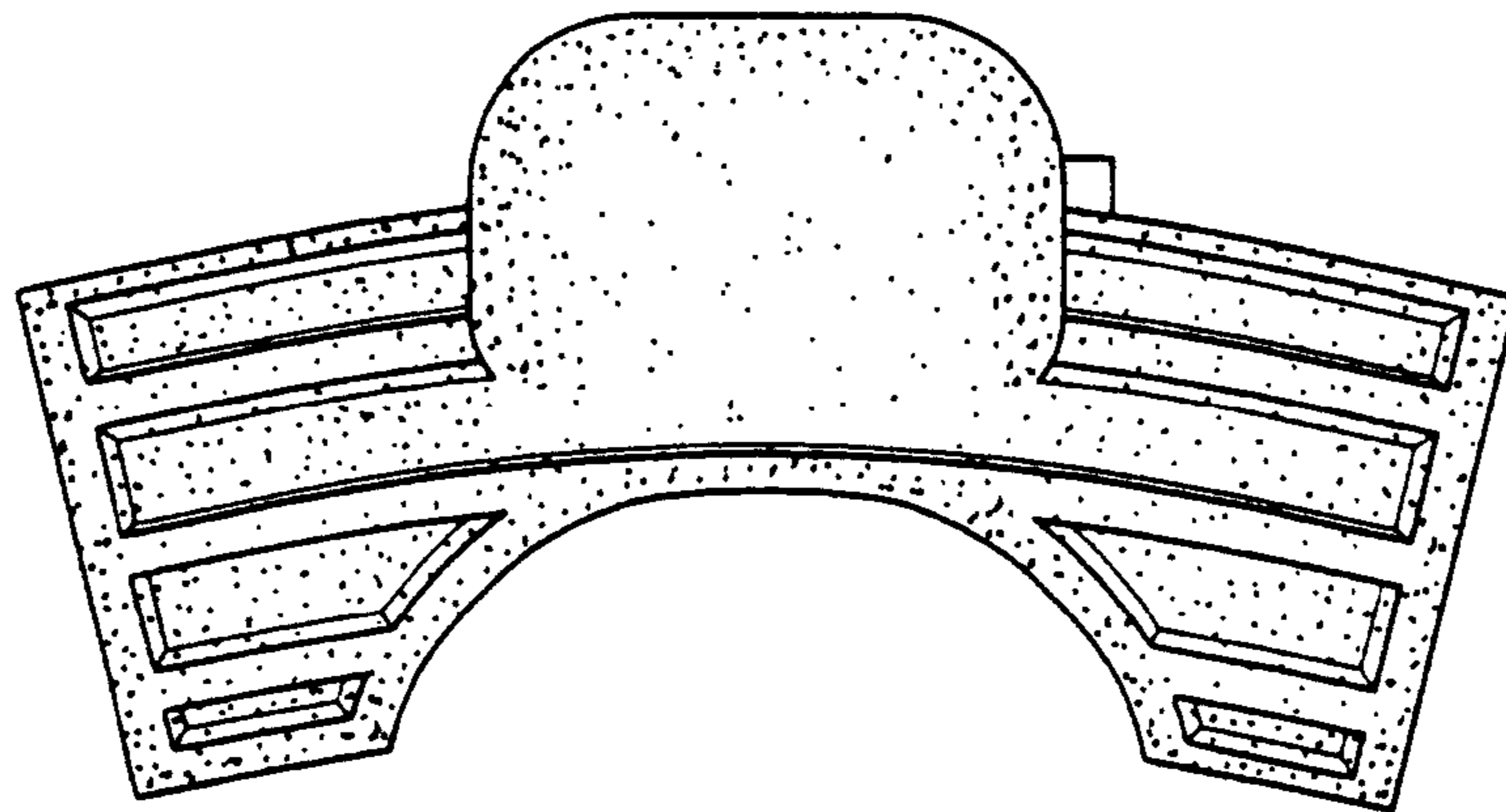


FIG. 2

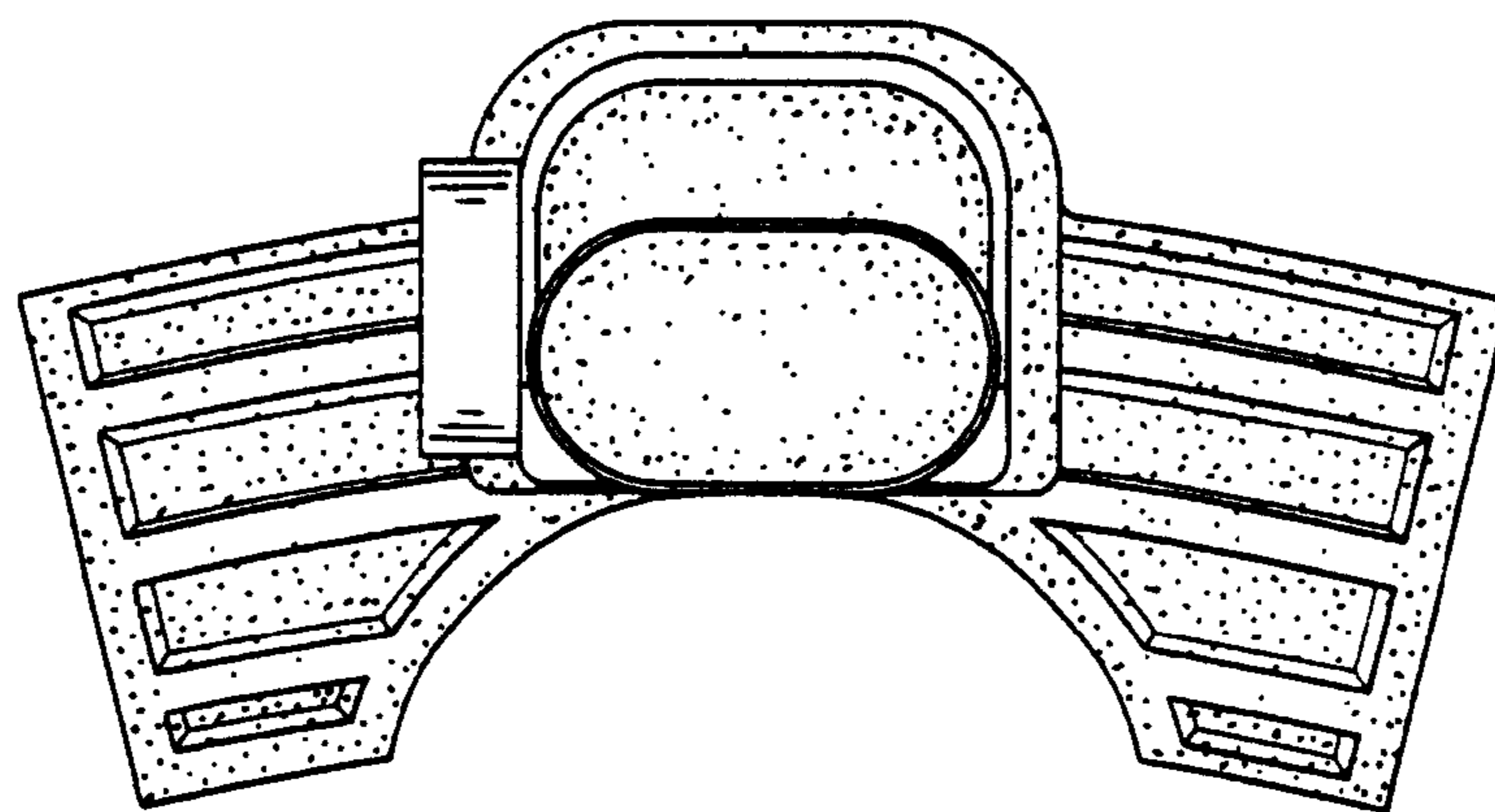


FIG. 3

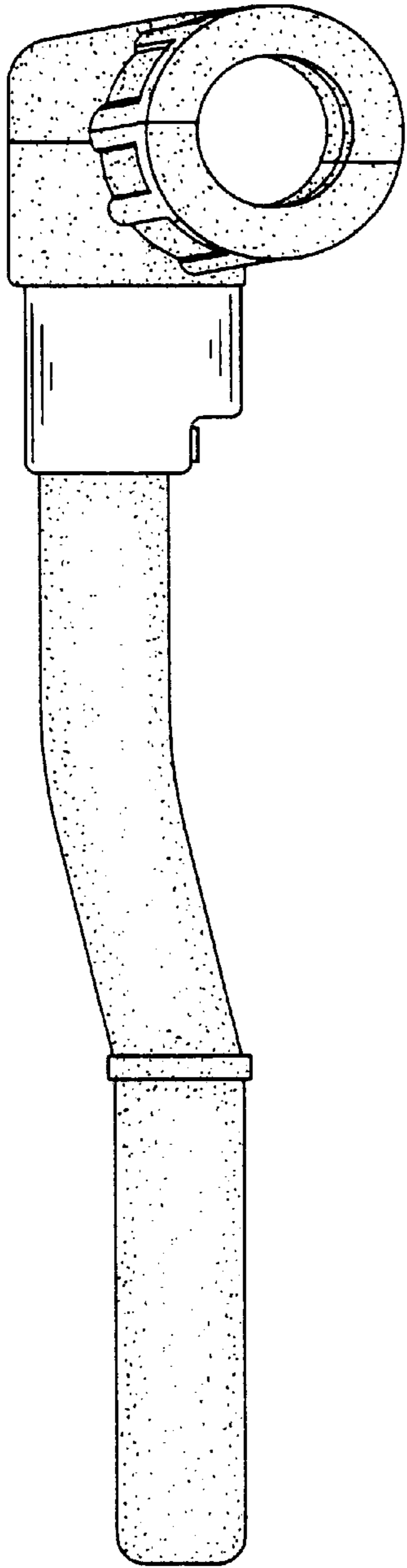


FIG. 4

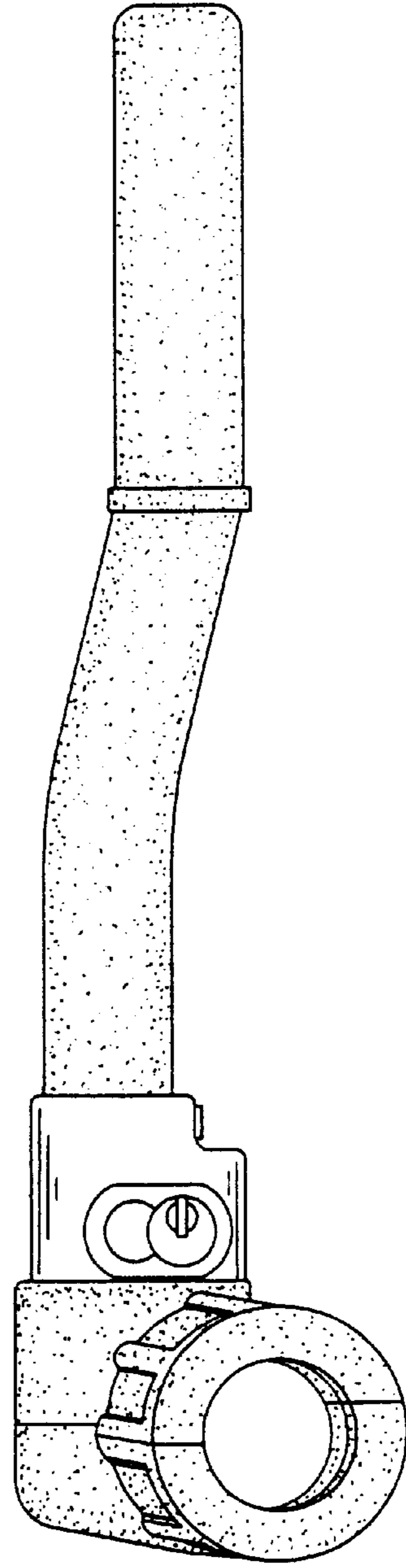


FIG. 5

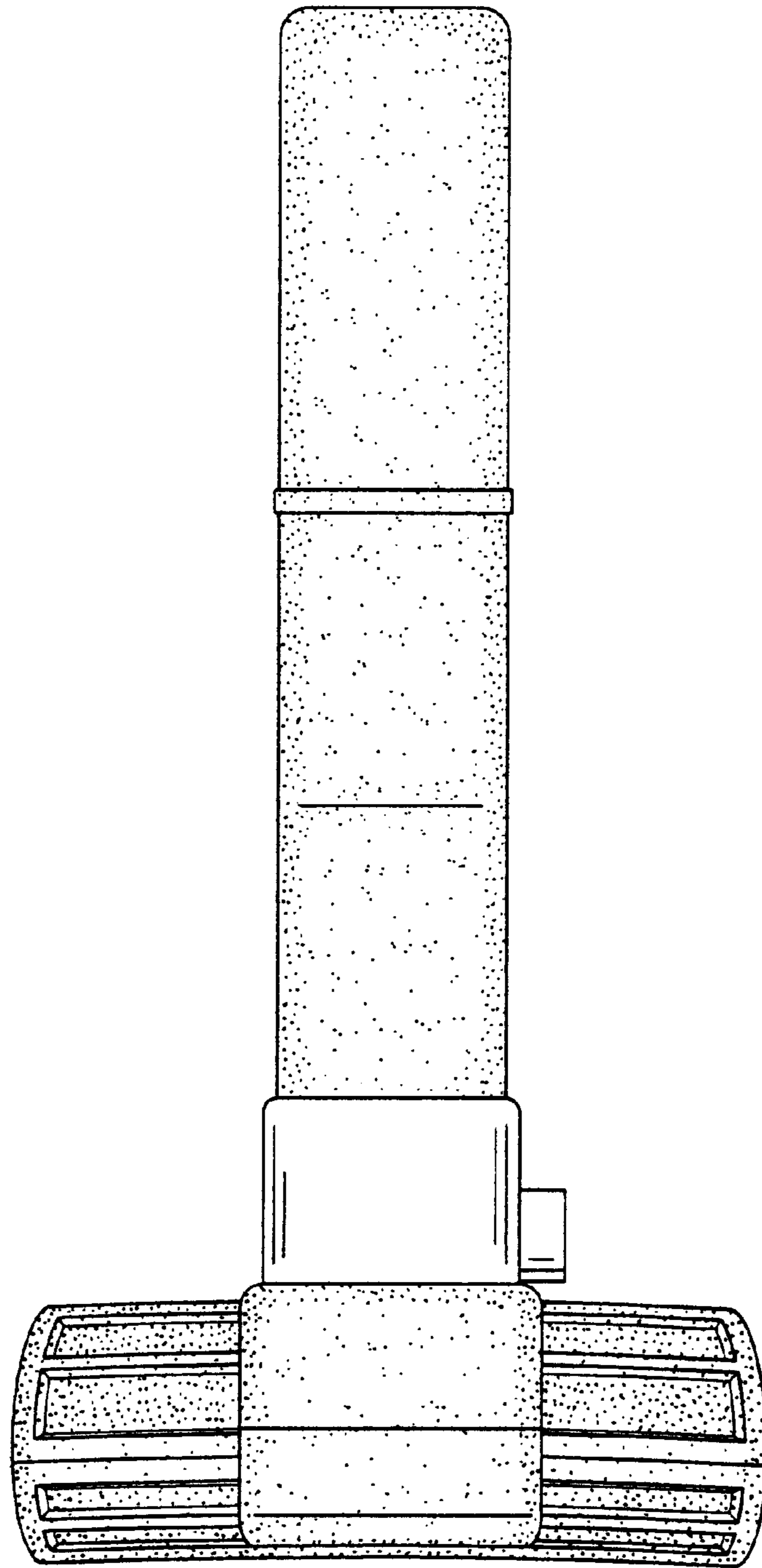


FIG. 6

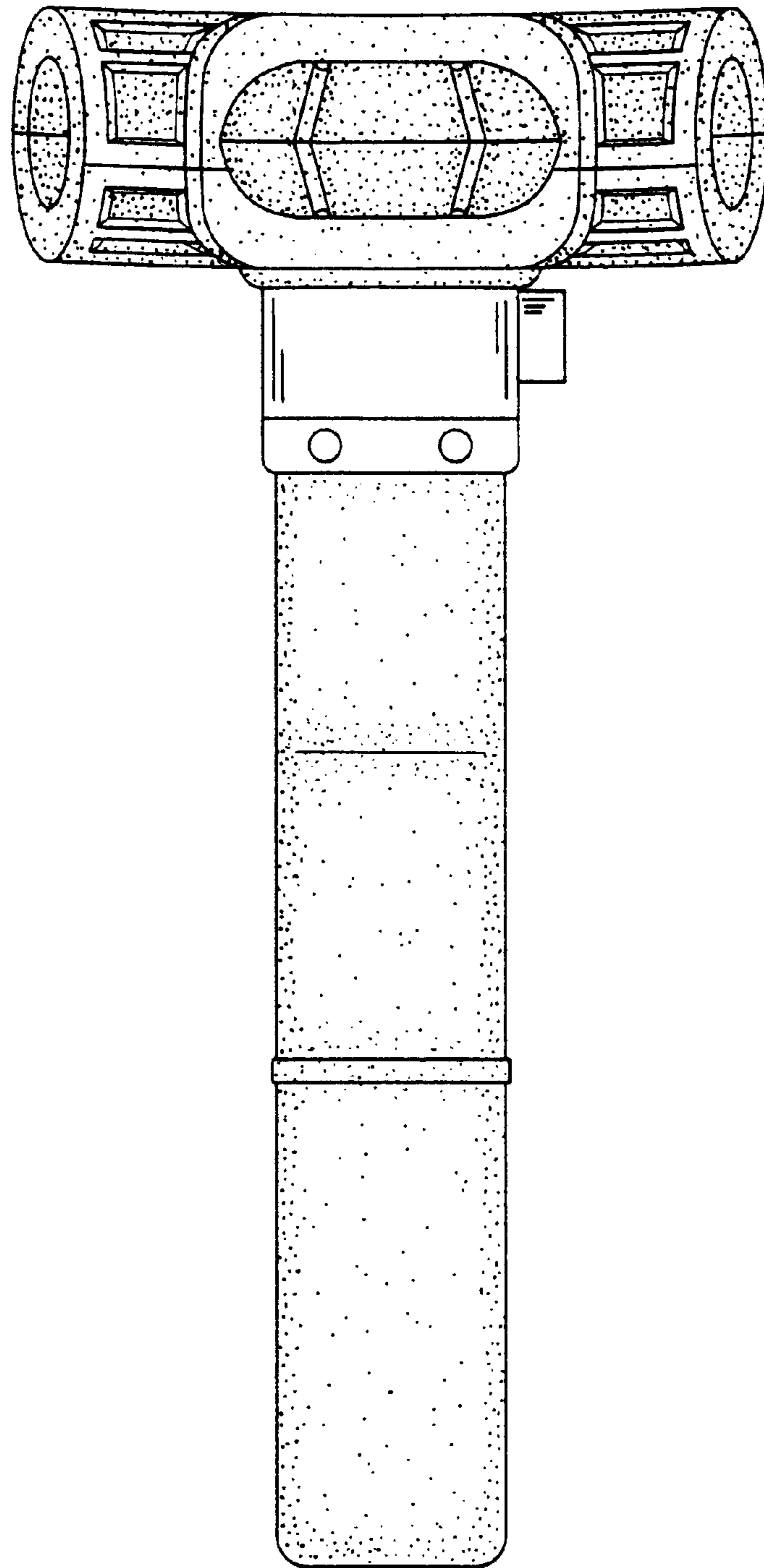


FIG. 7