



US00D514426S

(12) **United States Design Patent**
Eenigenburg

(10) **Patent No.:** **US D514,426 S**
(45) **Date of Patent:** **** Feb. 7, 2006**

(54) **TILT-LATCH**
(75) **Inventor:** **Mark B. Eenigenburg**, Lansing, IL
(US)
(73) **Assignee:** **Ashland Products, Inc.**, Lowell, IN
(US)
(**) **Term:** **14 Years**
(21) **Appl. No.:** **29/198,912**
(22) **Filed:** **Feb. 6, 2004**
(51) **LOC (8) Cl.** **08-07**
(52) **U.S. Cl.** **D8/339; D8/343**
(58) **Field of Classification Search** D8/339-343,
D8/331, 336, 300, 306, 307; 292/32, 42,
292/33, 35, 153, 138, 175, 283, 163-165,
292/DIG. 35, DIG. 30, DIG. 42; 70/51, 71,
70/74; 49/149, 153, 161, 180, 183, 176, 453
See application file for complete search history.

4,901,475 A 2/1990 Simpson
4,917,413 A 4/1990 Jason et al.
D313,161 S 12/1990 Westphal et al.
5,028,083 A 7/1991 Mischenko
5,068,932 A 12/1991 Chang
5,096,240 A 3/1992 Schultz
5,121,951 A 6/1992 Harbom et al.
5,121,952 A 6/1992 Jason
5,139,291 A 8/1992 Schultz
5,165,737 A 11/1992 Riegelman
5,301,989 A 4/1994 Dallmann et al.
D371,502 S 7/1996 Morris
5,536,052 A 7/1996 Maier
5,618,067 A 4/1997 Carlson et al.
D380,137 S 6/1997 Carlson et al.
D380,138 S * 6/1997 Carlson et al. D8/343
D380,370 S 7/1997 Carlson et al.
5,669,639 A 9/1997 Lawrence
5,671,958 A 9/1997 Szapucki et al.
D396,397 S 7/1998 Swan
5,806,900 A 9/1998 Bratcher et al.
5,829,196 A * 11/1998 Maier 49/181

(Continued)

(56) **References Cited**
U.S. PATENT DOCUMENTS

16,228 A 12/1856 Copeland
1,781,729 A 11/1930 Major
2,568,273 A 9/1951 Clark
2,965,935 A 12/1960 Olsen
3,080,621 A 3/1963 Mendelsohn
3,122,797 A 3/1964 Segre
3,841,674 A 10/1974 Bisbing et al.
3,850,464 A 11/1974 Bisbing et al.
4,167,835 A 9/1979 Nobes et al.
4,400,026 A 8/1983 Brown, Jr.
4,475,311 A 10/1984 Gibson
4,553,353 A 11/1985 Simpson
4,578,903 A 4/1986 Simpson
4,581,850 A 4/1986 Simpson
4,622,778 A 11/1986 Simpson
4,640,048 A 2/1987 Winner et al.
4,669,765 A 6/1987 Ullman
4,790,579 A 12/1988 Maxwell et al.
4,791,756 A 12/1988 Simpson
4,824,154 A 4/1989 Simpson
4,837,975 A 6/1989 Simpson

Primary Examiner—Prabhakar Deshmukh
(74) *Attorney, Agent, or Firm*—Wallenstein Wagner &
Rockey, Ltd.

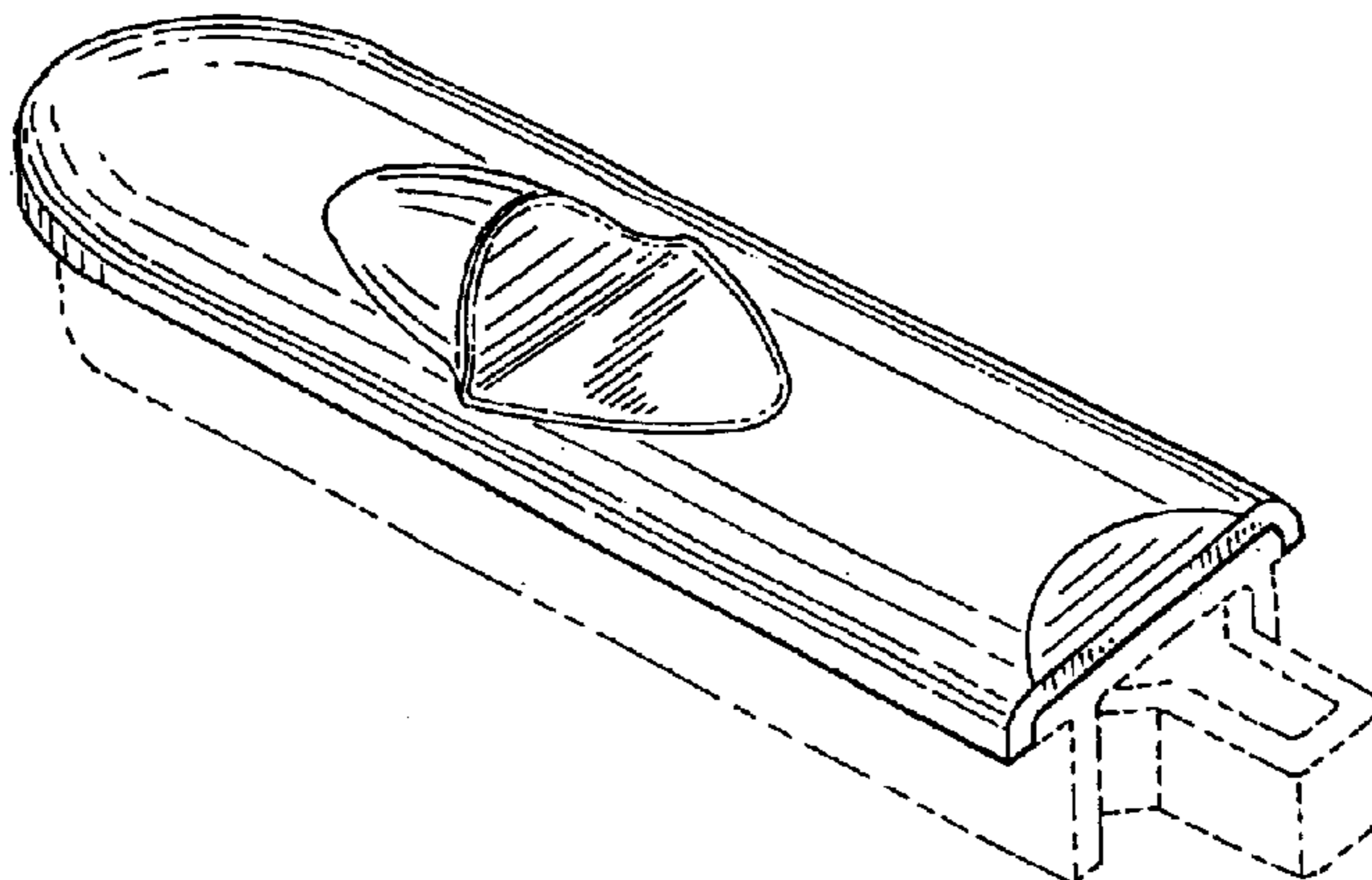
(57) **CLAIM**

I claim the ornamental design for a tilt-latch, as shown and described.

DESCRIPTION

FIG. 1 is a perspective view of a tilt-latch showing my new design;
FIG. 2 is a top plan view thereof;
FIG. 3 is a side elevational view thereof, the opposite side being identical thereof;
FIG. 4 is a front elevational view thereof; and,
FIG. 5 is a rear elevational view thereof.
The broken lines are for illustrative purpose only and form no part of the claimed design.
The undisclosed bottom is plain and unornamented.

1 Claim, 1 Drawing Sheet



US D514,426 S

Page 2

U.S. PATENT DOCUMENTS

D409,473 S	*	5/1999	Tieu	D8/342	6,021,603 A	2/2000	Prete et al.	
D411,094 S		6/1999	Schultz		6,155,615 A	12/2000	Schultz	
D411,095 S		6/1999	Schultz		D442,847 S	5/2001	Schultz et al.	
D411,797 S		7/1999	Schultz		D442,848 S	5/2001	Schultz et al.	
D414,674 S		10/1999	Schultz		D444,373 S	7/2001	Schultz et al.	
D415,671 S		10/1999	Schultz		D452,810 S	*	1/2002	Anderson D8/339
5,970,656 A		10/1999	Maier		D456,688 S	*	5/2002	Polowinczak et al. D8/302
D416,468 S		11/1999	Schultz		D465,401 S	*	11/2002	Polowinczak D8/350
D416,780 S		11/1999	Schultz		D495,237 S	*	8/2004	Tozer D8/343
5,996,283 A		12/1999	Maier		D503,083 S	*	3/2005	Schlack D8/331

* cited by examiner

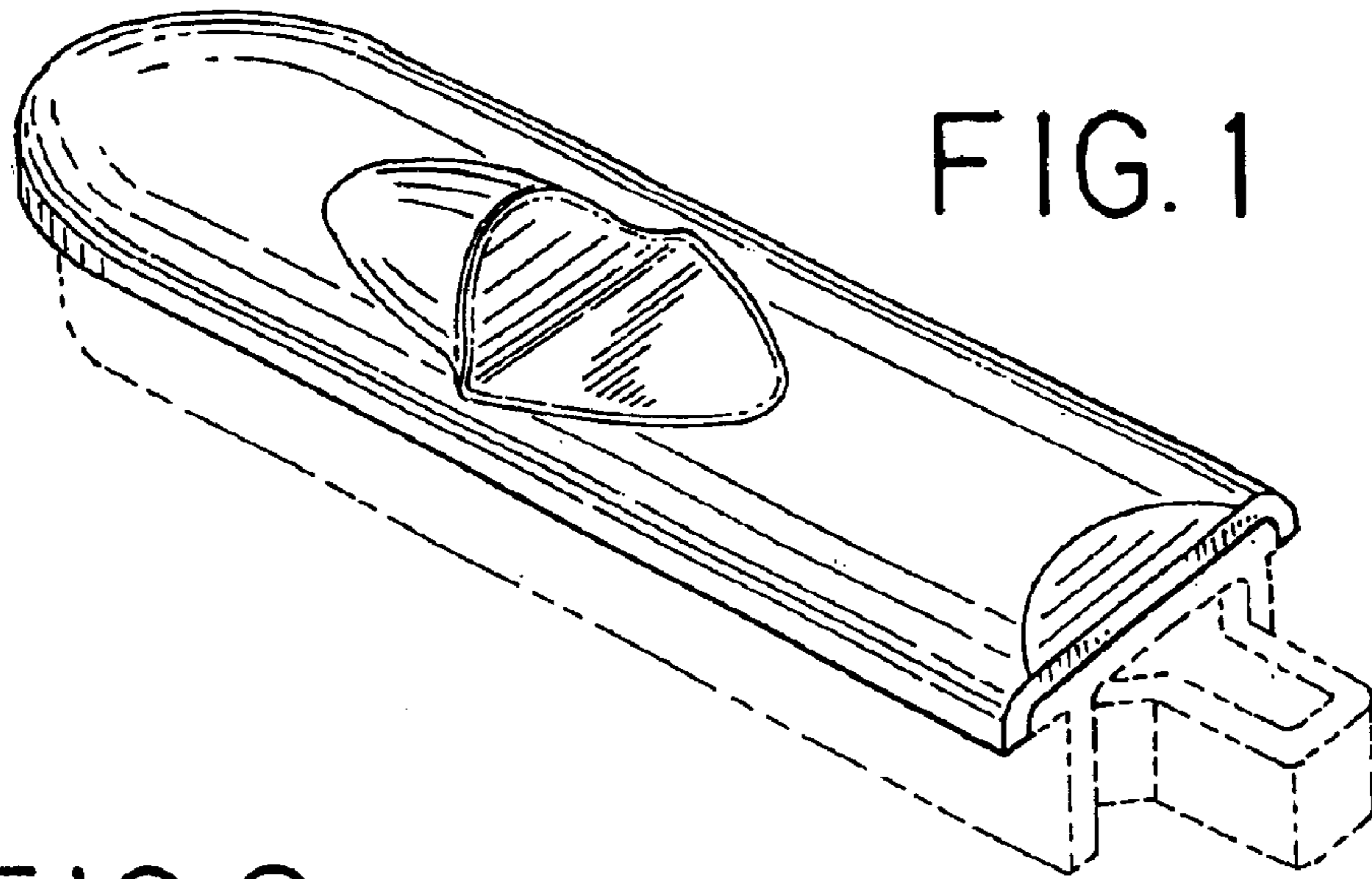


FIG. 1

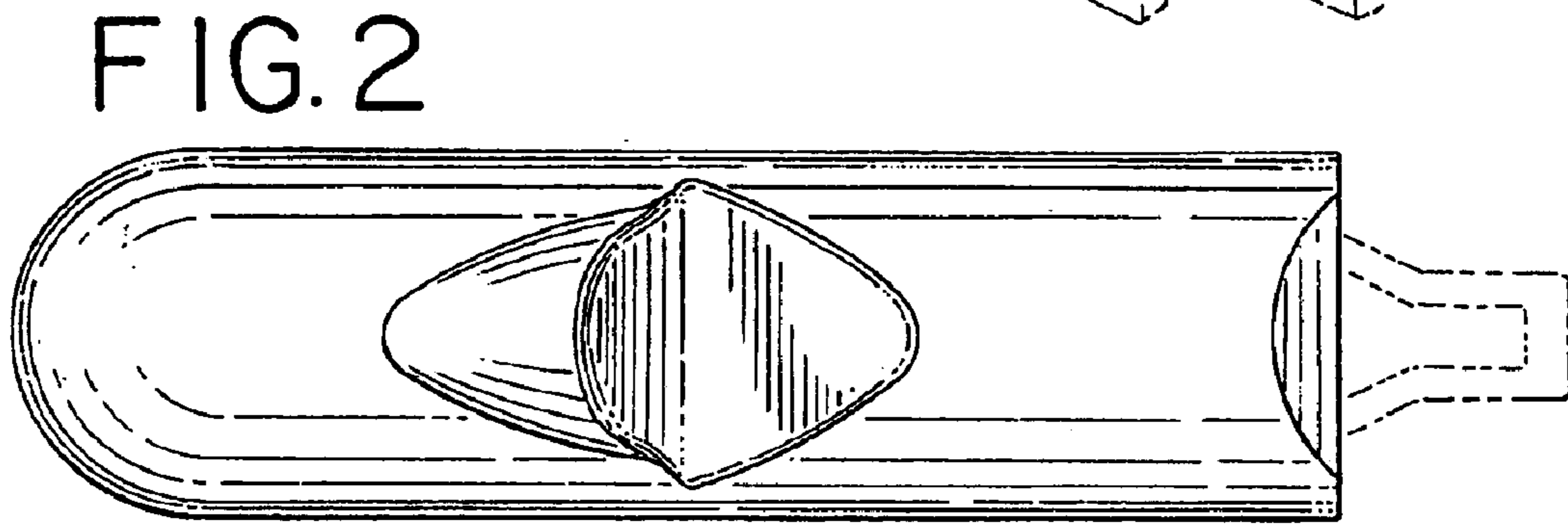


FIG. 2

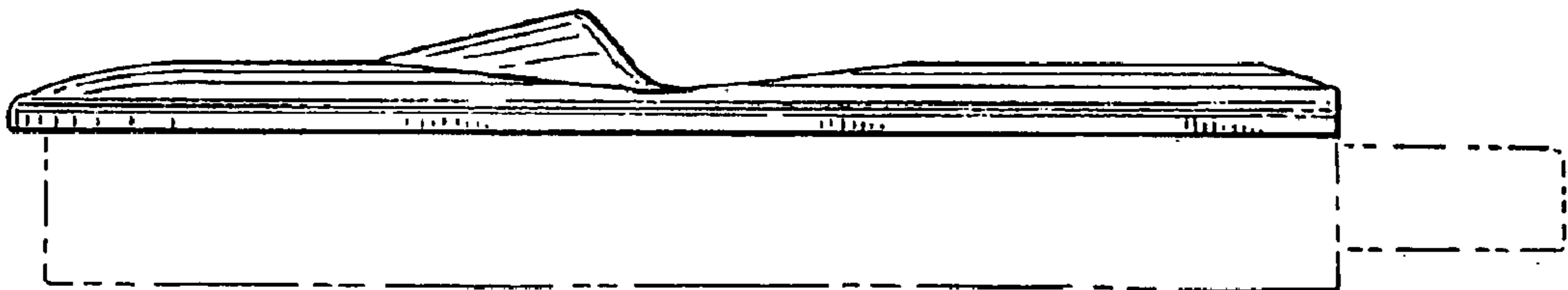


FIG. 3

FIG. 4

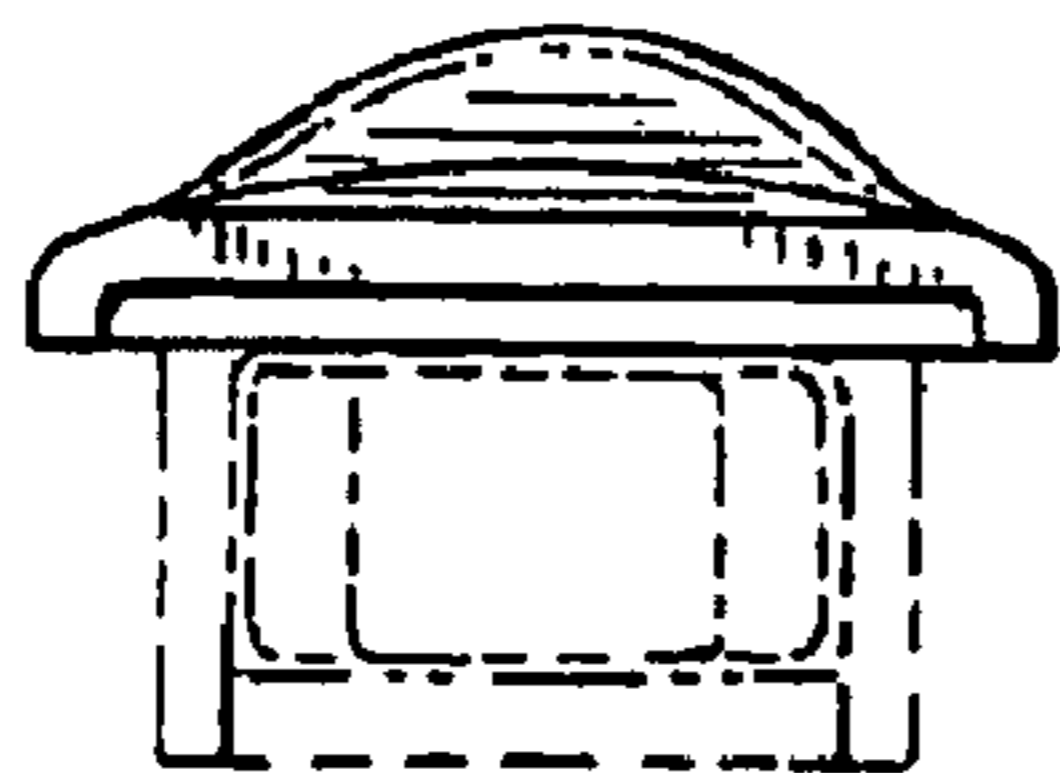


FIG. 5

